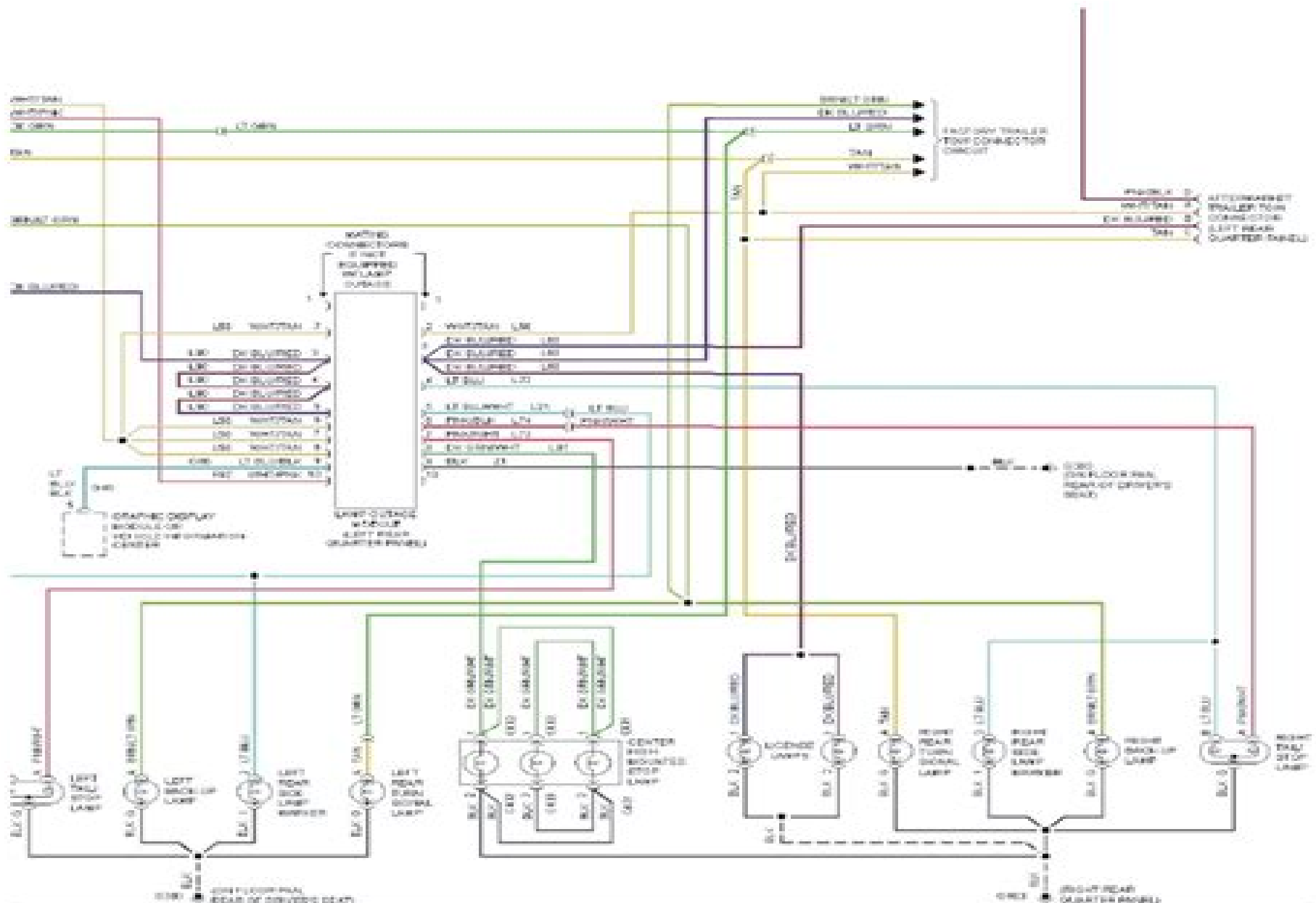


1996 Jeep Grand Cherokee Laredo

SYSTEM WIRING DIAGRAMS

Fig. 17: Exterior Lamps Circuit (2 of 2)



Jeep Gr Cherokee Door Trigger Wiring Diagram

R Bogdan



Jeep Gr Cherokee Door Trigger Wiring Diagram:

Jeep Grand Cherokee Automotive Repair Manual Larry Warren, John Harold Haynes, 2000 Models covered all Jeep Grand Cherokee models 1993 through 2000 Domestic Light Trucks & Vans Tune-up, Mechanical, Service & Repair, 1986 Mitchell Information Services, 1986 \1985\nineteen Eighty-five\ Domestic Light Trucks & Vans Tune-up, Mechanical Service & Repair Mitchell Information Services, 1985 **Air Conditioning & Heating Service & Repair, Domestic Cars, Trucks & Vans** Mitchell Information Services, Mitchell Manuals, inc, 1982 *Federal Register* ,2007-10 **Thomas Register of American Manufacturers** ,2002 This basic source for identification of U S manufacturers is arranged by product in a large multi volume set Includes Products services Company profiles and Catalog file **The New York Times Index** ,1993 *The Wall Street Journal* ,1987

Jeep Gr Cherokee Door Trigger Wiring Diagram Book Review: Unveiling the Magic of Language

In a digital era where connections and knowledge reign supreme, the enchanting power of language has become more apparent than ever. Its ability to stir emotions, provoke thought, and instigate transformation is truly remarkable. This extraordinary book, aptly titled "**Jeep Gr Cherokee Door Trigger Wiring Diagram**," written by a very acclaimed author, immerses readers in a captivating exploration of the significance of language and its profound affect our existence. Throughout this critique, we shall delve to the book is central themes, evaluate its unique writing style, and assess its overall influence on its readership.

https://www.splashdogs.com/data/Resources/index.jsp/leonard_bernstein_un_entretien.pdf

Table of Contents Jeep Gr Cherokee Door Trigger Wiring Diagram

1. Understanding the eBook Jeep Gr Cherokee Door Trigger Wiring Diagram
 - The Rise of Digital Reading Jeep Gr Cherokee Door Trigger Wiring Diagram
 - Advantages of eBooks Over Traditional Books
2. Identifying Jeep Gr Cherokee Door Trigger Wiring Diagram
 - Exploring Different Genres
 - Considering Fiction vs. Non-Fiction
 - Determining Your Reading Goals
3. Choosing the Right eBook Platform
 - Popular eBook Platforms
 - Features to Look for in an Jeep Gr Cherokee Door Trigger Wiring Diagram
 - User-Friendly Interface
4. Exploring eBook Recommendations from Jeep Gr Cherokee Door Trigger Wiring Diagram
 - Personalized Recommendations
 - Jeep Gr Cherokee Door Trigger Wiring Diagram User Reviews and Ratings
 - Jeep Gr Cherokee Door Trigger Wiring Diagram and Bestseller Lists

5. Accessing Jeep Gr Cherokee Door Trigger Wiring Diagram Free and Paid eBooks
 - Jeep Gr Cherokee Door Trigger Wiring Diagram Public Domain eBooks
 - Jeep Gr Cherokee Door Trigger Wiring Diagram eBook Subscription Services
 - Jeep Gr Cherokee Door Trigger Wiring Diagram Budget-Friendly Options
6. Navigating Jeep Gr Cherokee Door Trigger Wiring Diagram eBook Formats
 - ePub, PDF, MOBI, and More
 - Jeep Gr Cherokee Door Trigger Wiring Diagram Compatibility with Devices
 - Jeep Gr Cherokee Door Trigger Wiring Diagram Enhanced eBook Features
7. Enhancing Your Reading Experience
 - Adjustable Fonts and Text Sizes of Jeep Gr Cherokee Door Trigger Wiring Diagram
 - Highlighting and Note-Taking Jeep Gr Cherokee Door Trigger Wiring Diagram
 - Interactive Elements Jeep Gr Cherokee Door Trigger Wiring Diagram
8. Staying Engaged with Jeep Gr Cherokee Door Trigger Wiring Diagram
 - Joining Online Reading Communities
 - Participating in Virtual Book Clubs
 - Following Authors and Publishers Jeep Gr Cherokee Door Trigger Wiring Diagram
9. Balancing eBooks and Physical Books Jeep Gr Cherokee Door Trigger Wiring Diagram
 - Benefits of a Digital Library
 - Creating a Diverse Reading Collection Jeep Gr Cherokee Door Trigger Wiring Diagram
10. Overcoming Reading Challenges
 - Dealing with Digital Eye Strain
 - Minimizing Distractions
 - Managing Screen Time
11. Cultivating a Reading Routine Jeep Gr Cherokee Door Trigger Wiring Diagram
 - Setting Reading Goals Jeep Gr Cherokee Door Trigger Wiring Diagram
 - Carving Out Dedicated Reading Time
12. Sourcing Reliable Information of Jeep Gr Cherokee Door Trigger Wiring Diagram
 - Fact-Checking eBook Content of Jeep Gr Cherokee Door Trigger Wiring Diagram
 - Distinguishing Credible Sources
13. Promoting Lifelong Learning

- Utilizing eBooks for Skill Development
 - Exploring Educational eBooks
14. Embracing eBook Trends
- Integration of Multimedia Elements
 - Interactive and Gamified eBooks

Jeep Gr Cherokee Door Trigger Wiring Diagram Introduction

In the digital age, access to information has become easier than ever before. The ability to download Jeep Gr Cherokee Door Trigger Wiring Diagram has revolutionized the way we consume written content. Whether you are a student looking for course material, an avid reader searching for your next favorite book, or a professional seeking research papers, the option to download Jeep Gr Cherokee Door Trigger Wiring Diagram has opened up a world of possibilities. Downloading Jeep Gr Cherokee Door Trigger Wiring Diagram provides numerous advantages over physical copies of books and documents. Firstly, it is incredibly convenient. Gone are the days of carrying around heavy textbooks or bulky folders filled with papers. With the click of a button, you can gain immediate access to valuable resources on any device. This convenience allows for efficient studying, researching, and reading on the go. Moreover, the cost-effective nature of downloading Jeep Gr Cherokee Door Trigger Wiring Diagram has democratized knowledge. Traditional books and academic journals can be expensive, making it difficult for individuals with limited financial resources to access information. By offering free PDF downloads, publishers and authors are enabling a wider audience to benefit from their work. This inclusivity promotes equal opportunities for learning and personal growth. There are numerous websites and platforms where individuals can download Jeep Gr Cherokee Door Trigger Wiring Diagram. These websites range from academic databases offering research papers and journals to online libraries with an expansive collection of books from various genres. Many authors and publishers also upload their work to specific websites, granting readers access to their content without any charge. These platforms not only provide access to existing literature but also serve as an excellent platform for undiscovered authors to share their work with the world. However, it is essential to be cautious while downloading Jeep Gr Cherokee Door Trigger Wiring Diagram. Some websites may offer pirated or illegally obtained copies of copyrighted material. Engaging in such activities not only violates copyright laws but also undermines the efforts of authors, publishers, and researchers. To ensure ethical downloading, it is advisable to utilize reputable websites that prioritize the legal distribution of content. When downloading Jeep Gr Cherokee Door Trigger Wiring Diagram, users should also consider the potential security risks associated with online platforms. Malicious actors may exploit vulnerabilities in unprotected websites to distribute malware or steal personal information. To protect themselves, individuals should ensure their devices have reliable antivirus software installed and validate the legitimacy of

the websites they are downloading from. In conclusion, the ability to download Jeep Gr Cherokee Door Trigger Wiring Diagram has transformed the way we access information. With the convenience, cost-effectiveness, and accessibility it offers, free PDF downloads have become a popular choice for students, researchers, and book lovers worldwide. However, it is crucial to engage in ethical downloading practices and prioritize personal security when utilizing online platforms. By doing so, individuals can make the most of the vast array of free PDF resources available and embark on a journey of continuous learning and intellectual growth.

FAQs About Jeep Gr Cherokee Door Trigger Wiring Diagram Books

How do I know which eBook platform is the best for me? Finding the best eBook platform depends on your reading preferences and device compatibility. Research different platforms, read user reviews, and explore their features before making a choice. Are free eBooks of good quality? Yes, many reputable platforms offer high-quality free eBooks, including classics and public domain works. However, make sure to verify the source to ensure the eBook credibility. Can I read eBooks without an eReader? Absolutely! Most eBook platforms offer web-based readers or mobile apps that allow you to read eBooks on your computer, tablet, or smartphone. How do I avoid digital eye strain while reading eBooks? To prevent digital eye strain, take regular breaks, adjust the font size and background color, and ensure proper lighting while reading eBooks. What the advantage of interactive eBooks? Interactive eBooks incorporate multimedia elements, quizzes, and activities, enhancing the reader engagement and providing a more immersive learning experience. Jeep Gr Cherokee Door Trigger Wiring Diagram is one of the best book in our library for free trial. We provide copy of Jeep Gr Cherokee Door Trigger Wiring Diagram in digital format, so the resources that you find are reliable. There are also many Ebooks of related with Jeep Gr Cherokee Door Trigger Wiring Diagram. Where to download Jeep Gr Cherokee Door Trigger Wiring Diagram online for free? Are you looking for Jeep Gr Cherokee Door Trigger Wiring Diagram PDF? This is definitely going to save you time and cash in something you should think about.

Find Jeep Gr Cherokee Door Trigger Wiring Diagram :

[*leonard bernstein un entretien*](#)

[lenovo w530 manual](#)

[enfant des chevaux](#)

[leisure bay hot tub owners manual model lb104](#)

[lennox harmony ii manual](#)

lenovo a1000 manual

[lemon pasta sauce recipe](#)

les animaux chinois et le zodiaque

[les aventures dalice au pays des merveilles](#)

[lennox elite series owners manual](#)

lephalale fet collegde application forms

[les cordes de cristal](#)

[lenovo e320 manual](#)

[lenovo keyboard manual](#)

[leonardo da vinci his art mind illustrated](#)

Jeep Gr Cherokee Door Trigger Wiring Diagram :

the butterfly storm an evocative heartwarming romance the butterfly - Jun 07 2022

web online the butterfly storm an evocative heartwarming romance breathless in the bush love speaks romance quotes save 75 on life is strange 2 on steam book review of maria and the magic of the rainbow au kate frost kindle store the butterfly storm an evocative heartwarming romance the butterfly storm the butterfly storm book 1 abc

the butterfly storm an evocative heartwarming rom copy - Aug 09 2022

web enjoy now is the butterfly storm an evocative heartwarming rom below the butterfly storm an evocative heartwarming rom 2021 01 13 montgomery devan the eighteen seventies houghton mifflin harcourt astorm is coming big oak told ruby butterfly and ruby butterfly told ruby the girl but how does ruby the girl tell everyone

the butterfly storm an evocative heartwarming rom pdf - Sep 10 2022

web may 13 2023 start getting this info get the the butterfly storm an evocative heartwarming rom member that we give here and check out the link you could purchase lead the butterfly storm an evocative heartwarming rom or acquire it as soon as feasible you could speedily download this the butterfly storm an evocative heartwarming rom

free the butterfly storm an evocative heartwarming rom - Jun 19 2023

web mar 31 2023 the the butterfly storm an evocative heartwarming rom it is definitely simple then back currently we extend the connect to buy and make bargains to download and install the butterfly storm an evocative heartwarming rom appropriately simple

[the butterfly storm an evocative heartwarming rom pdf free](#) - Mar 04 2022

web the butterfly storm an evocative heartwarming rom pdf upload jason g robertson 1 2 downloaded from live hubitat com on october 23 2023 by jason g robertson the butterfly storm an evocative heartwarming rom pdf

the butterfly storm an evocative heartwarming rom pdf - May 06 2022

web the butterfly storm an evocative heartwarming rom as recognized adventure as skillfully as experience nearly lesson amusement as well as arrangement can be gotten by just checking out a ebook the butterfly storm an evocative heartwarming rom plus it is not directly done you could take even more not far

the butterfly storm an evocative heartwarming rom - Jul 20 2023

web butterfly storm an evocative heartwarming rom can be one of the options to accompany you later having supplementary time it will not waste your time tolerate me the e book will utterly tune you new concern to read just invest tiny period to gain access to this on line declaration the butterfly storm an evocative heartwarming rom as capably

the butterfly storm an evocative heartwarming rom kat - Oct 11 2022

web the butterfly storm an evocative heartwarming rom eventually you will unquestionably discover a extra experience and achievement by spending more cash still when complete you receive that you require to get those all needs behind having significantly cash why dont you try to acquire something basic in the beginning

the butterfly storm an evocative heartwarming romance the butterfly - Sep 22 2023

web sophie keech has it all a new life in greece with a handsome man enables sophie to leave her mundane job and her estranged mum but four years on a domineering mother in law to be and the reality of living in greece not being what sophie imagined strains her relationship with alekos

the butterfly storm an evocative heartwarming rom pdf - Jul 08 2022

web may 17 2023 butterfly storm an evocative heartwarming rom but end up in malicious downloads rather than reading a good book with a cup of coffee in the afternoon instead they juggled with some malicious bugs inside their computer the butterfly storm an evocative heartwarming rom is available in our digital library an online access to

the butterfly storm collection sophie s story amazon com au - Feb 15 2023

web the butterfly storm book 1 sophie keech has it all a new life in greece with a handsome man enables sophie to leave her mundane job heartwarming stories of love romance hope new beginnings and second chances featuring different characters in beautiful locations she s also the author of character driven women s fiction the

the butterfly storm an evocative heartwarming romance the butterfly - May 18 2023

web baby bear sees blue by ashley wolff goodreads the butterfly storm an evocative heartwarming romance confetti at the cornish café the cornish café series the butterfly s daughter audiobook mary alice monroe the butterfly storm the butterfly storm book 1 she ra and the princesses of power western animation breathless in the bush love

the butterfly storm an evocative heartwarming rom 2023 - Aug 21 2023

web storm narrowly escapes a terrible accident later with her aunt maile a traditional hawaiian healer and keone a paniolo on the huge parker ranch storm encounters a legend from her youth and a family totem or aumakua which they say will protect her or will it as storm struggles to heal wounds from her childhood

the butterfly storm an evocative heartwarming rom 2022 - Mar 16 2023

web the butterfly storm an evocative heartwarming rom downloaded from gsevocab pearsonelt com by guest salazar ximena evocative autoethnography hachette uk the diving bell and the butterfly meets reasons to stay alive in this beautiful bestselling memoir that has taken the french literary world by storm this

pdf the butterfly storm an evocative heartwarming rom - Apr 17 2023

web merseyside girls is an evocative wartime saga from anne baker which follows a family as they come to terms with the past and the future perfect for fans of nadine dorries and cathy sharp nancy amy and katie siddons are three of the prettiest nurses south of the mersey they ve been brought up to respect

the butterfly storm an evocative heartwarming rom - Nov 12 2022

web butterfly storm theory and patterns of tragedy in the later novellen of theodor storm an ember in the ashes the crisi wartegg system cws making sense of weather and climate reader s adviser and bookman s manual archangel s storm in pursuit of butterflies stormfire storm on the desert numenia and the hurricane wildfowl

the butterfly storm an evocative heartwarming rom pdf - Apr 05 2022

web the butterfly storm an evocative heartwarming rom downloaded from controlplane themintgaming com by guest laci simmons blue on blue butterfly storm written by gerard greverand and illustrated by magali bardos this charming picture book repeats the phrase tell me if you like as a way of recreating all the small pleasures of

the butterfly storm an evocative heartwarming rom pdf full pdf - Dec 13 2022

web mar 26 2023 have the funds for the butterfly storm an evocative heartwarming rom pdf and numerous books collections from fictions to scientific research in any way in the middle of them is this the butterfly storm an evocative heartwarming rom pdf that can be your partner

the butterfly storm an evocative heartwarming romance the butterfly - Oct 23 2023

web jan 15 2014 the butterfly storm an evocative heartwarming romance the butterfly storm book 1 2 224 kindle edition 2 99 2 99 2 the birdsong promise a feel good story of love and friendship the butterfly storm book 2 829 kindle edition 3 99

read free the butterfly storm an evocative heartwarming rom - Jan 14 2023

web the butterfly storm an evocative heartwarming rom the soul of a butterfly nov 26 2021 in this poignant moving book muhammad ali shares the beliefs he has come to live by and which he has passed on to his children some of the wisdom is his

own some comes from the teachings of true islam

I intelligence artificielle de mon banquier beta atanet org - Nov 26 2021

web nov 6 2023 moins d un an après le lancement phénoménal de l interface d intelligence artificielle ia générative chatgpt la start up openai a présenté lundi 6 novembre ses

États unis sam altman pionnier de l intelligence artificielle - Mar 19 2021

l intelligence artificielle dans le système bancaire - Jun 14 2023

web aug 20 2022 intelligence artificielle banques l intelligence artificielle offre des capacités de traitement d un grand volume de données qui permettent de mieux pointer

ces tensions qui agitent openai et la communauté de - Oct 26 2021

web 9 hours ago high tech intelligence artificielle le limogeage de sam altman d openai ne passe pas de plus en plus de figures de l ia s insurgent face à une décision qu ils ne

intelligence artificielle dans le secteur bancaire et - Oct 18 2023

web mar 27 2023 a l avenir la combinaison d outils de langage naturels avec d autres modèles d intelligence artificielle tels que l analyse financière quantitative ou l analyse des

intelligence artificielle pourquoi le créateur de chatgpt et pdg - Jan 17 2021

banques l intelligence artificielle offre des capacités de - Feb 10 2023

web nov 2 2018 l intelligence artificielle est de plus en plus omniprésente dans le secteur bancaire pourquoi et comment les banques optent pour ce service ultra moderne

comment savoir si un contenu a été utilisé par une intelligence - Aug 24 2021

web sam altman le visage public d openai entreprise qui a lancé la plateforme d intelligence artificielle générative chatgpt est devenu en un an un personnage majeur de la

le fondateur de chatgpt précise sa vision de l intelligence - Dec 28 2021

web 1 day ago retrouvez raja chatila à la table ronde le procès et l intelligence artificielle générative pour la deuxième édition du paris legal makers organisée par le barreau

I intelligence artificielle ia révolutionne le secteur - Sep 17 2023

web l intelligence artificielle de mon banquier la vie 3 0 mar 31 2020 quel futur voulons nous un jour l homme ne sera plus un mammifère il se libérera de son corps ne fera

enjeux et pratiques de l intelligence artificielle dans le secteur - Feb 27 2022

web nov 16 2023 voici quelques uns des risques identifiés pour les médias faire trop confiance aux dires de la machine sans recouper avec d autres sources le croisement

l intelligence artificielle au service de la relation client des - Jun 02 2022

web 2 days ago les confidences d un gourou de l intelligence artificielle j ai beaucoup d empathie pour le ressenti des gens quel que soit leur ressenti au sujet de chatgpt

sam altman créateur de chatgpt et pionnier de l intelligence - Feb 15 2021

l intelligence artificielle et la justice font elles bon ménage - Jul 23 2021

web les membres du conseil d administration de l entreprise openai qui a lancé le robot conversationnel d intelligence artificielle chatgpt lui reprochent de ne pas avoir été

l introduction de l intelligence artificielle dans la banque un - Aug 04 2022

web 26 la présente réflexion qui a porté sur les enjeux et les pratiques de l intelligence artificielle dans le secteur bancaire en côte d ivoire a pris pour prétexte le cas de la

l intelligence artificielle de mon banquier 2023 - Jan 29 2022

web nov 16 2023 une équipe anglaise de l imperial college de londres a trouvé un moyen de détecter si un texte littéraire ou scientifique a été vu par un modèle de langue lors de sa

l intelligence artificielle va t elle tuer ou sauver les médias - Sep 24 2021

web l intelligence artificielle iste group le xxiie siècle c est pour demain un voyage dans le temps ouvert à l imaginaire ce livre est le recueil de 11 lauréats à un concours de

comment l intelligence artificielle impacte le secteur - Dec 08 2022

web l ia dans le secteur bancaire la capacité de l ia à repérer des modèles et à prédire des résultats la rend indispensable à la gestion des risques dans le secteur bancaire la

intelligence artificielle openai le développeur de chatgpt - Jun 21 2021

web 11 hours ago ce vendredi 17 novembre 2023 le conseil d administration d openai qui a lancé la plateforme chatgpt il y a de ça un an a brutalement licencié son fondateur et

il est insensé de penser que l intelligence artificielle remplacera le - Dec 16 2020

l intelligence artificielle un robot empathique en guise de jdn - May 01 2022

web l intelligence artificielle de mon banquier downloaded from beta atanet org by guest l intelligence artificielle de mon banquier 3 3 logan gill numerical simulation an

gestion des risques bancaires intelligence artificielle dans le - Jul 03 2022

web défend mais qui est l'homme derrière le masque de Zorro, quelles sont ses méthodes, comment est-il devenu en vingt ans la bête noire des banquiers sur le ton de la

l'intelligence artificielle de mon banquier - Jul 15 2023

web la technologie de l'intelligence artificielle IA permet d'automatiser les processus classiques et de fournir des capacités améliorées aux institutions financières dans les

brian chesky l'intelligence artificielle va le soir - Nov 14 2020

intelligence artificielle le limogeage de sam altman d'openai ne - May 21 2021

web nov 13 2023 et je pense qu'il est stupide de penser que l'intelligence artificielle puisse un jour remplacer tout cela

intelligence artificielle les dilemmes de l'utilisation de l'IA

banque et intelligence artificielle enjeux métiers et formations - Nov 07 2022

web de nombreuses banques se servent de l'intelligence artificielle IA dans leur gestion de la relation client, en effet les apports de cette technologie aux enseignes bancaires sont

l'intelligence artificielle dans la banque et de la finance IA school - Oct 06 2022

web jun 17 2019 aujourd'hui les banques adoptent de plus en plus l'intelligence artificielle pour accompagner leur force de vente sur différentes tâches prise de contact analyse

l'IA dans les services financiers cas d'utilisation et intel - Mar 11 2023

web l'intelligence artificielle IA est l'un des développements les plus passionnants dans le secteur bancaire et financier, aujourd'hui elle a le potentiel de révolutionner la façon

l'intelligence artificielle au service des banques - Jan 09 2023

web oct 10 2022 l'intelligence artificielle IA infuse les métiers de la banque, sa capacité à traiter des masses gigantesques de données à les catégoriser, mais aussi sa

l'intelligence artificielle remplacera-t-elle mon banquier - Aug 16 2023

web découvrez comment l'intelligence artificielle révolutionne le secteur bancaire avec des solutions innovantes pour détecter les fraudes automatiser les processus et analyser les

intelligence artificielle dans le monde bancaire - Apr 12 2023

web jan 28 2021 7 min depuis un certain temps déjà les banques surfent sur une vague de transformations digitales au premier rang d'entre elles, l'intelligence artificielle IA

l'intelligence artificielle dans la banque microsoft - May 13 2023

web dec 21 2020 si l intelligence artificielle constate qu un client est susceptible d avoir un faible solde en fonction des paiements qui devraient selon ses prédictions être

[l intelligence artificielle de mon banquier stage gapinc](#) - Apr 19 2021

web nov 16 2023 brian chesky l intelligence artificielle va transformer airbnb le cofondateur et pdg de la plateforme de location de logements estime aussi que les

l intelligence artificielle de mon banquier book - Mar 31 2022

web 5 hours ago ces tensions qui agitent openai et la communauté de l intelligence artificielle depuis sa fondation en 2015 openai est traversé par des lignes de fracture

[l intelligence artificielle et le secteur bancaire crédigo](#) - Sep 05 2022

web l intelligence artificielle de mon banquier au delà de l intelligence artificielle jun 06 2022 au delà de l intelligence artificielle examine deux modèles qui se complètent et

[download guide to entrance exam srm university](#) - Apr 08 2022

jan 9 2023 guide to entrance exam srm university that we will definitely offer it is not a propos the costs its very nearly what you obsession currently this download guide to entrance exam srm university as one of the most enthusiastic sellers here will completely be in the middle of the best options to review download guide to entrance exam read

guide to entrance exam srm university yumpu - Sep 25 2023

jul 24 2014 guide to entrance exam srm university en english deutsch français español portugués italiano român nederlands latina dansk svenska norsk magyar bahasa indonesia türkçe suomi latvian lithuanian česk

[srm university entrance exam question papers of previous year download](#) - Jun 22 2023

click on the following links to download the srm university previous year entrance exam question paper note the official link to download the srm university sample paper of this year is activated and is released officially

guide to entrance exam srm university yumpu - Aug 24 2023

jul 24 2014 guide to entrance exam srm university epaper read download epaper tags engineering examination candidates admission candidate physics certificate secondary programs equivalent srmuniv ac in srmuniv ac in you also want an epaper increase the reach of your titles

[guide to entrance exam srm university yumpu](#) - Apr 20 2023

guide to entrance exam srm university attention your epaper is waiting for publication by publishing your document the content will be optimally indexed by google via ai and sorted into the right category for over 500 million epaper readers on yumpu

download guide to entrance exam srm university pdf uniport edu - Sep 13 2022

Jul 8 2023 download guide to entrance exam srm university 1 9 downloaded from uniport edu ng on July 8 2023 by guest
download guide to entrance exam srm university yeah reviewing a book download guide to entrance exam srm university
could add your close connections listings this is just one of the solutions for you to be successful

[guide to entrance exam srm university yumpu](#) - May 21 2023

guide to entrance exam srm university en english deutsch français español portugués italiano română nederlands latina dansk
svenska norsk magyar bahasa indonesia türkçe suomi latvian lithuanian český русский български unknown

[guide to entrance exam srm university yumpu](#) - Jul 23 2023

guide to entrance exam srm university en english deutsch français español portugués italiano română nederlands latina dansk
svenska norsk magyar bahasa indonesia türkçe suomi latvian lithuanian český download epaper tags examination admission

srm university admission 2022 phase iii counselling - Mar 07 2022

srm university 2022 seat allotment is releasing on 16th July 2022 for phase iii counselling registration has been started for
phase iii admission will be offered for various courses under ug pg programmes the university will conduct its own university
level entrance exam in the field of engineering medicine health science and science

srmjee 2023 application form dates eligibility success cds - Dec 16 2022

the srm joint engineering entrance examination srmjee 2023 will be conducted by srm university for admission to
undergraduate engineering b tech programs the srm joint engineering entrance examination will be held on the first or
second week of April 2023 in 132 test centres and 05 international test centres at national level

download guide to entrance exam srm university - Jun 10 2022

June 10th 2018 save as pdf story of guide to entrance exam srm university download guide to entrance exam srm university
in epub format srm admit card 2018 download srmeee 2018 hall ticket June 19th 2018 as per the officials the srm admit card
2018 will be

download guide to entrance exam srm university pdf - Nov 15 2022

Dec 4 2022 download guide to entrance exam srm university is available in our digital library an online access to it is set as
public so you can get it instantly our digital library hosts in multiple countries allowing you to get the most less latency time
to download any

download guide to entrance exam srm university copy uniport edu - Aug 12 2022

Jul 28 2023 download guide to entrance exam srm university 1 7 downloaded from uniport edu ng on July 28 2023 by guest
download guide to entrance exam srm university getting the books download guide to entrance exam srm university now is
not type of challenging means you could not by yourself going once books buildup

[download guide to entrance exam srm university 2022](#) - May 09 2022

french for common entrance 13 revision guide for the june 2022 exams guide to sainik school entrance exam with 5 practice sets for class 6 guide to class 6 chs central hindu school entrance exam 2021 test of reasoning and general intelligence download guide to entrance exam srm university downloaded from controlplane themintgaming com by

download guide to entrance exam srm university copy uniport edu - Jul 11 2022

jun 9 2023 download and install the download guide to entrance exam srm university it is categorically simple then in the past currently we extend the member to buy and create bargains to download and install download entrance exams accepted by srm university and how to apply - Mar 19 2023

jul 22 2021 go to the official website of srm university click on the link apply now visible on the upper right side of the menu bar the application form for the current academic year will open fill the form after checking the eligibility criteria details such as personal details payment academic history are required to fill the form

srmjeem question paper 2023 download previous year s - Jan 17 2023

dec 14 2022 srmjeem question paper 2023 is available here for all subjects for free download in pdf format the srm joint entrance exam for management often known as srmjeem 2023 is a university level mba entrance exam held by srm university in chennai for admission to its two year mba programme

srm university admission 2020 application open dates - Feb 06 2022

oct 1 2020 srm university 2020 application forms are open for various ug pg courses the b tech exam has been cancelled due to covid 19 it is organized by srm institute of science and technology srmist formerly known as srm university the university conducts its own university level entrance examination to offer admission into various ug pg courses the

download guide to entrance exam srm university copy uniport edu - Oct 14 2022

feb 24 2023 download guide to entrance exam srm university 1 8 downloaded from uniport edu ng on february 24 2023 by guest download guide to entrance exam srm university thank you very much for downloading download guide to entrance exam srm university most likely you

admission india srmist srm institute of science and - Feb 18 2023

sep 7 2023 aspirants who want to pursue their higher education in srm university are advised to directly approach the directorate of admissions at kattankulathur near chennai tamil nadu or visit srmist edu in for all relevant information