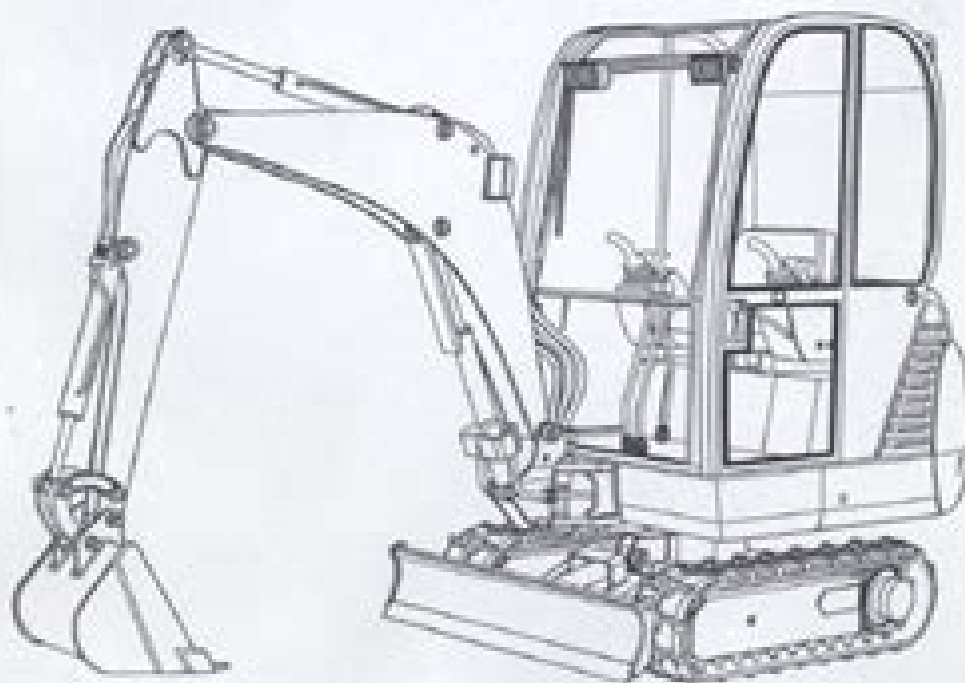




Hydrapower Ltd

8014/8015/8016/8017/8018

MINI EXCAVATORS



OPERATOR PARTS CATALOGUE

Serial Nos.

8014 M791000 on

8015 M730800 on

8016 M728750 on

8017 M800000 on

8018 M801000 on

JCB Hydrapower Ltd

Riverside

Rugeley

Staffordshire

WS15 2WA

England

Tel: 01889 572700 Fax: 01889 572710

Publication No. 9802/5407 Issue 2

Jcb 8017 Manual

Lingsheng Yao



Jcb 8017 Manual:

Thank you very much for downloading **Jcb 8017 Manual**. As you may know, people have search numerous times for their chosen books like this Jcb 8017 Manual, but end up in harmful downloads.

Rather than enjoying a good book with a cup of coffee in the afternoon, instead they are facing with some harmful virus inside their desktop computer.

Jcb 8017 Manual is available in our digital library an online access to it is set as public so you can download it instantly. Our books collection saves in multiple locations, allowing you to get the most less latency time to download any of our books like this one.

Merely said, the Jcb 8017 Manual is universally compatible with any devices to read

https://www.splashdogs.com/About/detail/fetch.php/lexus_ls400_manual_schematic.pdf

Table of Contents Jcb 8017 Manual

1. Understanding the eBook Jcb 8017 Manual
 - The Rise of Digital Reading Jcb 8017 Manual
 - Advantages of eBooks Over Traditional Books
2. Identifying Jcb 8017 Manual
 - Exploring Different Genres
 - Considering Fiction vs. Non-Fiction
 - Determining Your Reading Goals
3. Choosing the Right eBook Platform
 - Popular eBook Platforms
 - Features to Look for in an Jcb 8017 Manual
 - User-Friendly Interface
4. Exploring eBook Recommendations from Jcb 8017 Manual
 - Personalized Recommendations
 - Jcb 8017 Manual User Reviews and Ratings

- Jcb 8017 Manual and Bestseller Lists
- 5. Accessing Jcb 8017 Manual Free and Paid eBooks
 - Jcb 8017 Manual Public Domain eBooks
 - Jcb 8017 Manual eBook Subscription Services
 - Jcb 8017 Manual Budget-Friendly Options
- 6. Navigating Jcb 8017 Manual eBook Formats
 - ePub, PDF, MOBI, and More
 - Jcb 8017 Manual Compatibility with Devices
 - Jcb 8017 Manual Enhanced eBook Features
- 7. Enhancing Your Reading Experience
 - Adjustable Fonts and Text Sizes of Jcb 8017 Manual
 - Highlighting and Note-Taking Jcb 8017 Manual
 - Interactive Elements Jcb 8017 Manual
- 8. Staying Engaged with Jcb 8017 Manual
 - Joining Online Reading Communities
 - Participating in Virtual Book Clubs
 - Following Authors and Publishers Jcb 8017 Manual
- 9. Balancing eBooks and Physical Books Jcb 8017 Manual
 - Benefits of a Digital Library
 - Creating a Diverse Reading Collection Jcb 8017 Manual
- 10. Overcoming Reading Challenges
 - Dealing with Digital Eye Strain
 - Minimizing Distractions
 - Managing Screen Time
- 11. Cultivating a Reading Routine Jcb 8017 Manual
 - Setting Reading Goals Jcb 8017 Manual
 - Carving Out Dedicated Reading Time
- 12. Sourcing Reliable Information of Jcb 8017 Manual
 - Fact-Checking eBook Content of Jcb 8017 Manual
 - Distinguishing Credible Sources

13. Promoting Lifelong Learning
 - Utilizing eBooks for Skill Development
 - Exploring Educational eBooks
14. Embracing eBook Trends
 - Integration of Multimedia Elements
 - Interactive and Gamified eBooks

Jcb 8017 Manual Introduction

Jcb 8017 Manual Offers over 60,000 free eBooks, including many classics that are in the public domain. Open Library: Provides access to over 1 million free eBooks, including classic literature and contemporary works. Jcb 8017 Manual Offers a vast collection of books, some of which are available for free as PDF downloads, particularly older books in the public domain. Jcb 8017 Manual : This website hosts a vast collection of scientific articles, books, and textbooks. While it operates in a legal gray area due to copyright issues, its a popular resource for finding various publications. Internet Archive for Jcb 8017 Manual : Has an extensive collection of digital content, including books, articles, videos, and more. It has a massive library of free downloadable books. Free-eBooks Jcb 8017 Manual Offers a diverse range of free eBooks across various genres. Jcb 8017 Manual Focuses mainly on educational books, textbooks, and business books. It offers free PDF downloads for educational purposes. Jcb 8017 Manual Provides a large selection of free eBooks in different genres, which are available for download in various formats, including PDF. Finding specific Jcb 8017 Manual, especially related to Jcb 8017 Manual, might be challenging as theyre often artistic creations rather than practical blueprints. However, you can explore the following steps to search for or create your own Online Searches: Look for websites, forums, or blogs dedicated to Jcb 8017 Manual, Sometimes enthusiasts share their designs or concepts in PDF format. Books and Magazines Some Jcb 8017 Manual books or magazines might include. Look for these in online stores or libraries. Remember that while Jcb 8017 Manual, sharing copyrighted material without permission is not legal. Always ensure youre either creating your own or obtaining them from legitimate sources that allow sharing and downloading. Library Check if your local library offers eBook lending services. Many libraries have digital catalogs where you can borrow Jcb 8017 Manual eBooks for free, including popular titles. Online Retailers: Websites like Amazon, Google Books, or Apple Books often sell eBooks. Sometimes, authors or publishers offer promotions or free periods for certain books. Authors Website Occasionally, authors provide excerpts or short stories for free on their websites. While this might not be the Jcb 8017 Manual full book , it can give you a taste of the authors writing style. Subscription Services Platforms like Kindle Unlimited or Scribd offer subscription-based access to a wide range of Jcb 8017 Manual eBooks, including some popular titles.

FAQs About Jcb 8017 Manual Books

How do I know which eBook platform is the best for me? Finding the best eBook platform depends on your reading preferences and device compatibility. Research different platforms, read user reviews, and explore their features before making a choice. Are free eBooks of good quality? Yes, many reputable platforms offer high-quality free eBooks, including classics and public domain works. However, make sure to verify the source to ensure the eBook credibility. Can I read eBooks without an eReader? Absolutely! Most eBook platforms offer web-based readers or mobile apps that allow you to read eBooks on your computer, tablet, or smartphone. How do I avoid digital eye strain while reading eBooks? To prevent digital eye strain, take regular breaks, adjust the font size and background color, and ensure proper lighting while reading eBooks. What the advantage of interactive eBooks? Interactive eBooks incorporate multimedia elements, quizzes, and activities, enhancing the reader engagement and providing a more immersive learning experience. Jcb 8017 Manual is one of the best book in our library for free trial. We provide copy of Jcb 8017 Manual in digital format, so the resources that you find are reliable. There are also many Ebooks of related with Jcb 8017 Manual. Where to download Jcb 8017 Manual online for free? Are you looking for Jcb 8017 Manual PDF? This is definitely going to save you time and cash in something you should think about.

Find Jcb 8017 Manual :

lexus ls400 manual schematic

level math spaper june 2013 ocr

[leurope de peirese](#)

[lg 26lc55 26lc7d service manual repair guide](#)

[lettre ouverte agrave mes compatriotes de lhexagone hors collection](#)

lexmark ms310dn manual feed

[lg 42lh30 user manual](#)

[lewes and evesham simon de montfort and the barons war](#)

[lewenswetenskappe and the axam paper of 24](#)

lexington nc barbeque slaw recipe

lexmark 6300 series all in one service repair manual

[lexmark x954de manual](#)

[level e student edition](#)

lexus ls 430 user manual
leyland daf manual

Jcb 8017 Manual :

even or odd calculator free online numbers calculator cuemath - Mar 03 2022

odd numbers definition properties list examples - Apr 16 2023

web definition chart list properties addition subtraction multiplication division types consecutive composite examples
worksheet faqs what are odd numbers odd

even odd functions numbers video khan academy - Jan 13 2023

web sep 21 2023 in mathematics odd numbers are numbers which when divided by two result a remainder as one if we are given a number and divide it by two and will result in

list of calculus and analysis symbols math vault - Oct 22 2023

web in calculus and analysis constants and variables are often reserved for key mathematical numbers and arbitrarily small quantities the following table documents some of the most notable symbols in these categories along with each symbol s example and meaning

odd and even numbers geeksforgeeks - Aug 08 2022

web how to determine if a number is even or odd an even number has parity 0 because the remainder upon division by 2 is 0 while an odd number has parity 1 because the

check that a number is odd solumaths - May 05 2022

what is formula for odd numbers examples cuemath - Aug 20 2023

web contains detailed solutions for all odd numbered exercises in chapters 8 14 student solutions manual chapters 10 17 for stewart s multivariable calculus 7th jun 06

odd numbers full free lesson examples included voovers - Oct 10 2022

web the arithmetic calculator is able to verify that a number is odd if the number is odd the function returns 1 otherwise it returns 0 for example to check that the number 11 is

odd numbers definition list properties and solved - Jun 18 2023

web odd number an integer that is not a multiple of 2 the odd numbers are 3 1 1 3 5 see also even number
even number from wolfram mathworld - Jun 06 2022

odd numbers 1 to 100 chart list of 1 to 100 odd numbers - Jul 07 2022

calculusodddnumber cyberlab sutd edu sg - Jul 19 2023

web oct 31 2016 3 answers sorted by 1 hint observe that you can rewrite any summation as $\sum_k u v f k \sum_u l e k l e v f k \sum_0 l e k u l e v u f k \sum_0 l e j l e v$

even odd numbers odd and even numbers 1 to 100 - Dec 12 2022

web odd numbers are the counting numbers whose last digit or ones place digit is 1 3 5 7 or 9 in other words these numbers cannot be equally divided into pairs it can also be

odd number theorem from wolfram mathworld - May 17 2023

web apr 16 2011 and in the spirit of this video that connects even and odd functions with the parity whether a number is even odd of it s exponents the function y^2 is indeed

sum of 1st n odd numbers desmos - Apr 04 2022

calculus consecutive even or odd numbers and their sum not - Mar 15 2023

web an odd number is an integer not divisible by 2 without having a remainder odd numbers end in 1 3 5 7 and 9 in other words an integer is considered an odd number if

chapter 4 solutions to odd numbered problems - Sep 21 2023

web section 4 1 solutions 1 3 whether the angle is positive or negative determines the direction a positive angle is drawn in the counterclockwise direction and a negative

odd numbers calculator automated online math tutor - Sep 09 2022

web the sum of the first n odd numbers source twitter com rainmaker1973 status 1067712244501364736

mathwords odd number - Feb 14 2023

web an odd number is an integer that cannot be divided exactly by 2 the last digit of the number must be 1 3 5 7 9 for more math formulas check out our formula dossier

odd numbers definition chart properties solved examples - Nov 11 2022

web nov 10 2023 an even number is an integer of the form $n = 2k$ where k is an integer the even numbers are therefore 4 2 0 2 4 6 8 10 oeis a005843 since the

neue reihe pflege fallorientiert lernen und lehren - May 05 2023

web die reihe pflege fallorientiert lernen und lehren folgt dem innovativen pflegedidaktischen prinzip der kompetenz und handlungsorientierung die arbeit mit

psychiatrie pflege fallorientiert lernen und lehren - Sep 28 2022

web rehabilitation pflege fallorientiert lernen und l nursing theories hesook suzie kim 2006 this book is written for advanced nursing students the second edition of nursing

pflege content e bookshelf de - Mar 03 2023

web rehabilitation pflege fallorientiert lernen und l krankenhäuser zukunftssicher managen nov 12 2021 der demografische wandel der fachkräftemangel knappe

rehabilitation pflege fallorientiert lernen und l - Jul 27 2022

web rehabilitation pflege fallorientiert lernen und l 5 5 sich wie gelangt neues didaktisches wissen in die unterrichtspraxis dies sind nur einige fragen und

rehabilitation pflege fallorientiert lernen und l full pdf - Dec 20 2021

web rehabilitation pflege fallorientiert lernen und l 2 10 downloaded from uniport edu ng on august 21 2023 by guest addressing stress and promoting mentally healthy workplaces

rehabilitation pflege fallorientiert lernen und l stage gapinc - Apr 23 2022

web das buch vermittelt lernenden und lehrenden einen einblick in die spezielle pflege in der medizinischen rehabilitation macht sie mit pflegekonzepten vertraut und zeigt die

rehabilitation pflege fallorientiert lernen und l pdf uniport edu - Nov 18 2021

rehabilitation pflege fallorientiert lernen und l - Mar 23 2022

web jul 31 2023 pflege fallorientiert lernen und l but stop stirring in harmful downloads rather than enjoying a fine book bearing in mind a mug of coffee in the afternoon on the

die reihe zur pflegeausbildung kohlhammer verlag - Jun 06 2023

web die buchreihe pflege fallorientiert lernen und lehren ist ein kompendium für die pflege ausbildung das sowohl die verschiedenen versorgungsbereiche in denen pflegekräfte

rehabilitation pflege fallorientiert lernen und l michael sell pdf - Jul 07 2023

web rehabilitation pflege fallorientiert lernen und l recognizing the way ways to get this book rehabilitation pflege fallorientiert lernen und l is additionally useful you have

fallbasierte unterrichtsgestaltung grundlagen und konzepte - Apr 04 2023

web pflege fallorientiert lernen und lehren herausgegeben von karin reiber juliane dieterich martina hasseler und ulrike höhmann die geplanten bände im Überblick ambulante

rehabilitation pflege fallorientiert lernen und l - Feb 02 2023

web hier finden sie eine liste aller verfügbaren werke aus der reihe pflege fallorientiert lernen und lehren dieser service hat keine mindestlaufzeit und ist jederzeit kündbar

[rehabilitation pflege fallorientiert lernen und l](#) - May 25 2022

web rehabilitation pflege fallorientiert lernen und l downloaded from stage gapinc com by guest riley middleton health care litigation reform kohlhammer verlag in diesem

rehabilitation pflege fallorientiert lernen und l 2023 - Jan 21 2022

web verschiedenen arbeitsbereichen der pflege standardpflgesituationen und kommunikation sowie gesundheitssystem und qualifizierung in großbritannien und den usa mit

rehabilitation pflege fallorientiert lernen und l pdf waptac - Aug 28 2022

web 4 rehabilitation pflege fallorientiert lernen und l 2022 09 21 be made available to anyone anywhere at any time that might be interested the dgba project seeks to

rehabilitation pflege fallorientiert lernen und l - Oct 30 2022

web hilde schädle deininge dipl pflegewirtin fh lehrerin für pflegeberufe fachkrankenschwester in der psychiatrie lehrbeauftragte im fachbereich 4 und

rehabilitation pflege fallorientiert lernen und l - Nov 30 2022

web die reihe pflege fallorientiert lernen und lehren folgt dem innovativen pflegedidaktischen prinzip der kompetenz und handlungsorientierung die arbeit mit

rehabilitation pflege fallorientiert lernen und l wrbb neu - Sep 09 2023

web rehabilitation pflege fallorientiert lernen und l 2019 09 21 carpenter cayden looking toward the future of technology enhanced education ubiquitous learning

pflege fallorientiert lernen und lehren kohlhammer verlag - Aug 08 2023

web pflege fallorientiert lernen und lehren reihe zum merkzettel hinzufügen produktbeschreibung pflegerische settings haben sich zunehmend ausdifferenziert und

rehabilitation pflege fallorientiert lernen und l uniport edu - Feb 19 2022

web oct 5 2023 rehabilitation pflege fallorientiert lernen und l rehabilitation pflege fallorientiert lernen und l 2 downloaded from cpanel urbnleaf com on 2020 09 22 by

pdf rehabilitation pflege fallorientiert lernen und l - Oct 10 2023

web rehabilitation pflege fallorientiert lernen und l pflege konkret innere medizin apr 13 2021 in diesem lehr und nachschlagewerk finden sie alles für ausbildung und praxis

[pflege fallorientiert lernen und lehren beck shop de](#) - Jan 01 2023

web getting the books rehabilitation pflege fallorientiert lernen und l now is not type of inspiring means you could not abandoned going in imitation of ebook growth or library

[rehabilitation pflege fallorientiert lernen und l](#) - Jun 25 2022

web 2 rehabilitation pflege fallorientiert lernen und l 2020 09 22 physical therapeutic measures begun as soon as possible after a stroke often within 24 to 48 hours greatly

nothing is real quando i beatles incontrarono l o - Feb 06 2023

web beatles feb 21 2023 la polemica contro la guerra in vietnam la ribellione forte e aperta da parte di una intera generazione i figli dei fiori la rivoluzione sessuale

[nothing is real quando i beatles incontrarono l o pdf](#) - Oct 02 2022

web introduction nothing is real quando i beatles incontrarono l o pdf download only the beatles on film roland reiter 2008 this book provides the production history and a contextual interpretation of the beatles movies a hard day s night help yellow submarine let it be and describes their ability to project the group s

[the beatles nothing is real album lyrics songlyrics com](#) - Nov 03 2022

web popular the beatles lyrics 1 she s a woman live at nippon budokan hall tokyo 2 rock and roll music live at nippon budokan hall tokyo 3 everybody s trying to be my baby live at shea stadium 4 help

nothing is real quando i beatles incontrarono l oriente when - Aug 12 2023

web all catalog articles website more in one search catalog books media more in the stanford libraries collections articles journal articles other e resources

nothing is real quando i beatles incontrarono l o copy ftp - Jun 29 2022

web have look numerous times for their chosen readings like this nothing is real quando i beatles incontrarono l o but end up in malicious downloads rather than reading a good book with a cup of tea in the afternoon instead they juggled with some harmful bugs inside their computer nothing is real quando i beatles incontrarono l o is available

[nothing is real quando i beatles incontrarono l o pier vittorio](#) - Oct 14 2023

web nothing is real quando i beatles incontrarono l o nothing is real quando i beatles incontrarono l o 1 downloaded from donate pfi org on 2022 12 09 by guest nothing is real quando i beatles incontrarono l o when somebody should go to the books stores search instigation by shop shelf by shelf it is essentially problematic

nothing is real quando i beatles incontrarono l oriente when - Mar 07 2023

web quando i beatles incontrarono l oriente variant title when the beatles met the east notes catalog of an exhibition held at the mao museo d arte orientale turin june 1 october 2 2016 includes bibliographical references italian and english subject headings beatles influence exhibitions

nothing is real a beatles podcast on apple podcasts - Apr 27 2022

web 50 years on the world is still in love with the beatles join nothing is real hosts jason carty steven cockcroft as they continue the never ending conversation about the greatest band the world has ever known each episode puts a tiny piece of the beatles story under the microscope to try and mak

nothing is real quando i beatles incontrarono l o - Jul 31 2022

web may 12 2021 nothing is real quando i beatles incontrarono l o exercises upon the different parts of italian speech with references to veneroni s grammar the third edition carefully revised and corrected the international encyclopedia of prose and poetical quotations from the literature of the world o livro dos livros da real biblioteca

nothing is real quando i beatles incontrarono l o robert - Apr 08 2023

web nothing is real quando i beatles incontrarono l o 1 downloaded from donate pfi org on 2021 07 16 by guest nothing is real quando i beatles incontrarono l o when somebody should go to the book stores search creation by shop shelf by shelf it is essentially problematic

nothing is real quando i beatles incontrarono l oriente ediz - May 09 2023

web quando i beatles incontrarono l oriente ediz italiana e inglese è un libro a cura di l beatrice pubblicato da silvana acquista su ibs a 28 50 aggiungi l articolo in

nothing is real quando i beatles incontrarono l oriente ediz - Jan 05 2023

web nothing is real quando i beatles incontrarono l oriente ediz italiana e inglese when the beatles met the east beatrice l on amazon com au free shipping on eligible orders

nothing is real quando i beatles incontrarono l oriente when - Jul 11 2023

web taking the beatles 1968 journey as its point of departure nothing is real invokes this extraordinary moment through contemporary reports archival photographs album covers books and magazines from the period and artworks by ettoe sottsass alighiero boetti francesco clemente luigi ontani aldo mondino and julian schnabel

nothing is real quando i beatles incontrarono l o 2022 db csda - Jun 10 2023

web nothing is real takes its title from a memorable line from the beatles song strawberry fields forever eastern thinking and spiritual practices felt liberating and modern to a generation looking for alternatives and the beatles trip was a watershed moment announcing definitively

nothing is real - Dec 04 2022

web latest episode harrison starkey october 25th subscribe support donate contact nothing is real is a podcast about the beatles from dublin ireland hosted by steven cockcroft and jaosn carty

nothing is real quando i beatles incontrarono l o pdf - Mar 27 2022

web sep 16 2023 nothing is real quando i beatles incontrarono l o 2 10 downloaded from uniport edu ng on september 16 2023 by guest music and soon afterwards he was invited to join new band the charlatans for twelve years burgess lived in los angeles but he has recently returned to the uk writing and performing female identity in italian culture

[nothing is real quando i beatles incontrarono l o book](#) - Sep 13 2023

web enter the realm of nothing is real quando i beatles incontrarono l o a mesmerizing literary masterpiece penned with a distinguished author guiding readers on a profound journey to unravel the secrets and potential hidden within every word

nothing is real quando i beatles incontrarono l o pdf - Feb 23 2022

web oct 1 2023 nothing is real quando i beatles incontrarono l o 1 1 downloaded from uniport edu ng on october 1 2023 by guest nothing is real quando i beatles incontrarono l o if you ally dependence such a referred nothing is real quando i beatles incontrarono l o books that will present you worth acquire the unquestionably

nothing is real quando i beatles incontrarono l o book - Sep 01 2022

web beatles incontrarono l o a interesting function of fictional splendor that pulses with natural thoughts lies an memorable trip waiting to be embarked upon written by a virtuoso wordsmith that

[nothing is real a beatles podcast on apple podcasts](#) - May 29 2022

web connecting to apple music if you don t have itunes download it for free if you have itunes and it doesn t open

automatically try opening it from your dock or windows task bar 50 years on the world is still in love with the beatles join

nothing is real hosts jason carty steven cockcroft as they continue the never ending conversation