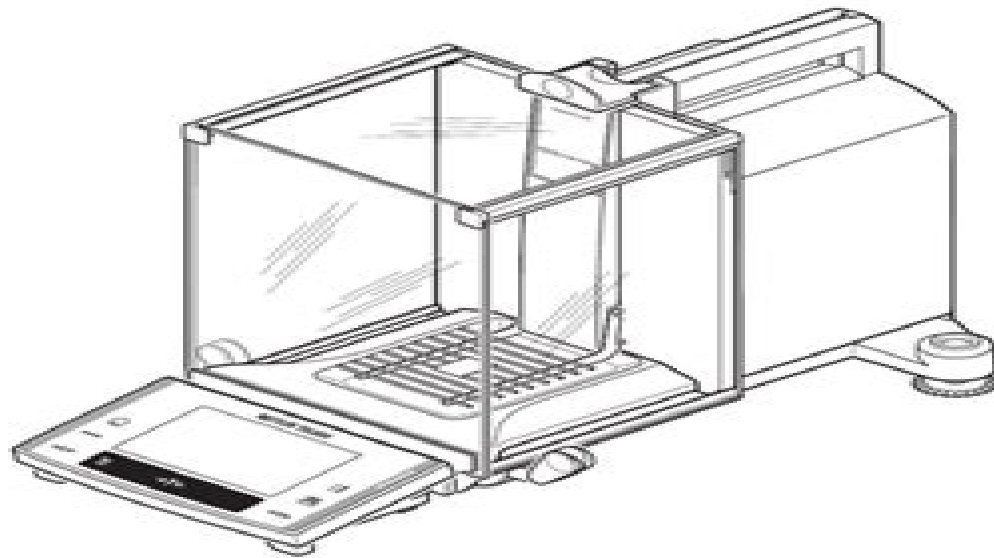


METTLER TOLEDO

Operating Instructions

METTLER TOLEDO

Excellence XS Analytical Balances



Mettler Toledo Manual

Annelies Wilder-Smith



Mettler Toledo Manual:

Delve into the emotional tapestry woven by in Dive into the Emotion of **Mettler Toledo Manual** . This ebook, available for download in a PDF format (*), is more than just words on a page; itis a journey of connection and profound emotion. Immerse yourself in narratives that tug at your heartstrings. Download now to experience the pulse of each page and let your emotions run wild.

https://www.splashdogs.com/files/book-search/Download_PDFS/lockpick_sync_installation_manual.pdf

Table of Contents Mettler Toledo Manual

1. Understanding the eBook Mettler Toledo Manual
 - The Rise of Digital Reading Mettler Toledo Manual
 - Advantages of eBooks Over Traditional Books
2. Identifying Mettler Toledo Manual
 - Exploring Different Genres
 - Considering Fiction vs. Non-Fiction
 - Determining Your Reading Goals
3. Choosing the Right eBook Platform
 - Popular eBook Platforms
 - Features to Look for in an Mettler Toledo Manual
 - User-Friendly Interface
4. Exploring eBook Recommendations from Mettler Toledo Manual
 - Personalized Recommendations
 - Mettler Toledo Manual User Reviews and Ratings
 - Mettler Toledo Manual and Bestseller Lists
5. Accessing Mettler Toledo Manual Free and Paid eBooks
 - Mettler Toledo Manual Public Domain eBooks
 - Mettler Toledo Manual eBook Subscription Services
 - Mettler Toledo Manual Budget-Friendly Options

6. Navigating Mettler Toledo Manual eBook Formats
 - ePub, PDF, MOBI, and More
 - Mettler Toledo Manual Compatibility with Devices
 - Mettler Toledo Manual Enhanced eBook Features
7. Enhancing Your Reading Experience
 - Adjustable Fonts and Text Sizes of Mettler Toledo Manual
 - Highlighting and Note-Taking Mettler Toledo Manual
 - Interactive Elements Mettler Toledo Manual
8. Staying Engaged with Mettler Toledo Manual
 - Joining Online Reading Communities
 - Participating in Virtual Book Clubs
 - Following Authors and Publishers Mettler Toledo Manual
9. Balancing eBooks and Physical Books Mettler Toledo Manual
 - Benefits of a Digital Library
 - Creating a Diverse Reading Collection Mettler Toledo Manual
10. Overcoming Reading Challenges
 - Dealing with Digital Eye Strain
 - Minimizing Distractions
 - Managing Screen Time
11. Cultivating a Reading Routine Mettler Toledo Manual
 - Setting Reading Goals Mettler Toledo Manual
 - Carving Out Dedicated Reading Time
12. Sourcing Reliable Information of Mettler Toledo Manual
 - Fact-Checking eBook Content of Mettler Toledo Manual
 - Distinguishing Credible Sources
13. Promoting Lifelong Learning
 - Utilizing eBooks for Skill Development
 - Exploring Educational eBooks
14. Embracing eBook Trends
 - Integration of Multimedia Elements

- Interactive and Gamified eBooks

Mettler Toledo Manual Introduction

Mettler Toledo Manual Offers over 60,000 free eBooks, including many classics that are in the public domain. Open Library: Provides access to over 1 million free eBooks, including classic literature and contemporary works. Mettler Toledo Manual Offers a vast collection of books, some of which are available for free as PDF downloads, particularly older books in the public domain. Mettler Toledo Manual : This website hosts a vast collection of scientific articles, books, and textbooks. While it operates in a legal gray area due to copyright issues, its a popular resource for finding various publications. Internet Archive for Mettler Toledo Manual : Has an extensive collection of digital content, including books, articles, videos, and more. It has a massive library of free downloadable books. Free-eBooks Mettler Toledo Manual Offers a diverse range of free eBooks across various genres. Mettler Toledo Manual Focuses mainly on educational books, textbooks, and business books. It offers free PDF downloads for educational purposes. Mettler Toledo Manual Provides a large selection of free eBooks in different genres, which are available for download in various formats, including PDF. Finding specific Mettler Toledo Manual, especially related to Mettler Toledo Manual, might be challenging as theyre often artistic creations rather than practical blueprints. However, you can explore the following steps to search for or create your own Online Searches: Look for websites, forums, or blogs dedicated to Mettler Toledo Manual, Sometimes enthusiasts share their designs or concepts in PDF format. Books and Magazines Some Mettler Toledo Manual books or magazines might include. Look for these in online stores or libraries. Remember that while Mettler Toledo Manual, sharing copyrighted material without permission is not legal. Always ensure youre either creating your own or obtaining them from legitimate sources that allow sharing and downloading. Library Check if your local library offers eBook lending services. Many libraries have digital catalogs where you can borrow Mettler Toledo Manual eBooks for free, including popular titles. Online Retailers: Websites like Amazon, Google Books, or Apple Books often sell eBooks. Sometimes, authors or publishers offer promotions or free periods for certain books. Authors Website Occasionally, authors provide excerpts or short stories for free on their websites. While this might not be the Mettler Toledo Manual full book , it can give you a taste of the authors writing style. Subscription Services Platforms like Kindle Unlimited or Scribd offer subscription-based access to a wide range of Mettler Toledo Manual eBooks, including some popular titles.

FAQs About Mettler Toledo Manual Books

What is a Mettler Toledo Manual PDF? A PDF (Portable Document Format) is a file format developed by Adobe that

preserves the layout and formatting of a document, regardless of the software, hardware, or operating system used to view or print it. **How do I create a Mettler Toledo Manual PDF?** There are several ways to create a PDF: Use software like Adobe Acrobat, Microsoft Word, or Google Docs, which often have built-in PDF creation tools. Print to PDF: Many applications and operating systems have a "Print to PDF" option that allows you to save a document as a PDF file instead of printing it on paper. Online converters: There are various online tools that can convert different file types to PDF. **How do I edit a Mettler Toledo Manual PDF?** Editing a PDF can be done with software like Adobe Acrobat, which allows direct editing of text, images, and other elements within the PDF. Some free tools, like PDFescape or Smallpdf, also offer basic editing capabilities. **How do I convert a Mettler Toledo Manual PDF to another file format?** There are multiple ways to convert a PDF to another format: Use online converters like Smallpdf, Zamzar, or Adobe Acrobats export feature to convert PDFs to formats like Word, Excel, JPEG, etc. Software like Adobe Acrobat, Microsoft Word, or other PDF editors may have options to export or save PDFs in different formats. **How do I password-protect a Mettler Toledo Manual PDF?** Most PDF editing software allows you to add password protection. In Adobe Acrobat, for instance, you can go to "File" -> "Properties" -> "Security" to set a password to restrict access or editing capabilities. Are there any free alternatives to Adobe Acrobat for working with PDFs? Yes, there are many free alternatives for working with PDFs, such as: LibreOffice: Offers PDF editing features. PDFsam: Allows splitting, merging, and editing PDFs. Foxit Reader: Provides basic PDF viewing and editing capabilities. How do I compress a PDF file? You can use online tools like Smallpdf, ILovePDF, or desktop software like Adobe Acrobat to compress PDF files without significant quality loss. Compression reduces the file size, making it easier to share and download. Can I fill out forms in a PDF file? Yes, most PDF viewers/editors like Adobe Acrobat, Preview (on Mac), or various online tools allow you to fill out forms in PDF files by selecting text fields and entering information. Are there any restrictions when working with PDFs? Some PDFs might have restrictions set by their creator, such as password protection, editing restrictions, or print restrictions. Breaking these restrictions might require specific software or tools, which may or may not be legal depending on the circumstances and local laws.

Find Mettler Toledo Manual :

[lockpick sync installation manual](#)

lk 1852 service manual

long live the queen nymph queen act ii

[logitech tablet keyboard windows 8](#)

lobster bisqe recipe

~~loma 36 test preparation guide~~

[lmtv pmcs manual](#)

[long john silver fried chicken recipe](#)

[ljubav u doba kolaina download](#)

[loin de moi eacutetude sur lidentiteacute](#)

[lombre dun homme briseacute](#)

living environment survival guide

[loewe corporate product design guide](#)

[logixpro bottle line simulator solution](#)

[locker room fun banged by the team](#)

Mettler Toledo Manual :

top sample letter explaining bad grades freeeducator com - Aug 01 2023

web mar 11 2021 9 what to include waiver letter explaining low gpa scores here two or three things that should be referenced capabilities set by the school framework encounters or abilities to demonstrate you have mastery in the field without expecting to send the gpa scores edit your paper

how to explain a low gpa in mba application in bemo - Jan 26 2023

web may 30 2023 how to explain a low gpa in mba during an interview if you have a low gpa and are invited to an interview this means that the admissions committee most likely does not mind your lower grades this means that you must learn how to prepare for your mba interview and get ready to answer some of the most common mba interview

sample letter explaining low gpa with helpful tips and hints - Apr 28 2023

web why you need sample letter explaining low gpa if you re wondering how to explain low gpa to graduate school and you need personal statement help then this sample page is exactly for you as your personal statement could be the last document allowing you to reanimate your chances for success

how to explain low gpa in personal statement with examples - Oct 03 2023

web sample personal statement that explains a low gpa credentials like grade point average gpa and standardized tests like the gre and gmat only tell about your aptitude or academic excellence in contrast the personal statement gives insights into your mind

letter explaining low undergraduate gpa admission essay sample - Aug 21 2022

web feb 3 2022 the purpose of the letter is explaining why my undergraduate gpa was low and what experience i have gained that will help me excel in data science program reason for my low undergraduate gpa i had to work multiple jobs to

support myself and achieve my educational goal experience i have gained since then that will help me excel in the

how to explain a low gpa in a cover letter career trend - Dec 25 2022

web sep 26 2017 lower grades in courses required to fulfill basic degree requirements may bring down your gpa but those grades are less important than the grades that related to your major for example your grades in philosophy and gym class could be ds but if you received as and bs in your engineering classes stress this fact on your cover letter

low gpa explanation 261 words studymode - Sep 02 2023

web low gpa explanation to school this letter is written as an explanation for my low gpa since it does not adequately reflect either my work or ability and desire to continue my education

5 steps to write a letter explaining your low gpa enter the pa - May 30 2023

web jul 13 2022 here is one such example of a school requesting a written letter explaining your low gpa north greenville university s gpa requirements there are many other programs that will consider your last 30 45 or 60 credit hours some schools will require a petition letter some will not

how to explain low gpa to graduate school - May 18 2022

web review a low gpa essay example reading a good essay explaining a low gpa is one way to learn how to write your own you can t copy the essay but you can get ideas on how to approach writing your own paper our waiver letter writing services provides low gpa essay examples and waiver request letter samples that you can use as a writing guide

how to explain low gpa in personal statement with examples - Apr 16 2022

web an very commonly asked question has how must one explain to low gpa inbound the sop according talha omer mba m eng harvard cornell gradual in personal statement tips advice the statement of purpose sop also known sample personalities statement that explains a blue gpa

how to get accepted into college with a low gpa u s news - Sep 21 2022

web jan 27 2021 how to get accepted into college with a low gpa students with a low gpa may want to consider community college or alternative admissions programs experts recommend students with poor grades on

how to explain a low gpa 2023 financial advisor career - Nov 23 2022

web apr 5 2023 how to explain a low gpa 2023 by career employer updated apr 5 2023 table of contents as a college or high school student your grade point average gpa is one of the most important metrics by which a potential employer can go off of

how to explain your low gpa to grad schools the admit lab - Mar 16 2022

web mar 13 2023 if your gpa is 3 3 and the schools you re applying to usually accept students with an average gpa of 3 7 or higher then it s likely that your academic record isn t as impressive as they d like it to be it might be a good idea for your to learn how to explain a low gpa to grad schools

how to explain low gpa in personal statement with examples - Mar 28 2023

web the statement of purpose sop also known as which personal statement allows you to give a deep insight into your ambitions and impulses to pursue a particular course at a university bonus article sample personal statement such explaining a shallow gpa

how to explain low gpa to graduate school collegelearners - Feb 12 2022

web aug 12 2023 our waiver letter writing services provides low gpa essay examples and waiver request letter samples that you can use as a writing guide getting into a good university program is a compilation of many different things and anything that can tilt things slightly in your favor helps

explaining low gpa essay sample 7 poor gpa waiver tips waiver letter - Feb 24 2023

web use a sample letter explaining low gpa as a guide to help you write yours tips on how to write an essay explaining a low gpa the first thing to understand is your essay is not a magic bullet that will miraculously solve all of your grade point average problems

how to explain low gpa in personal statement with examples - Jun 18 2022

web personal statement makes visions into their ghost a very customized asked question is how should one explain your low gpa in the souse

should you discuss a low gpa in your admissions essay - Oct 23 2022

web apr 3 2017 seek guidance before you discuss your gpa within your graduate admissions essay seek the advice of a professor or two do they think it s a good idea what do they think of your explanation take their advice seriously even if it is not what you hoped to hear

writing a recommendation letter for student with low gpa - Jul 20 2022

web feb 25 2021 i would say a low gpa in this case is indicative of a failure of grades to measure learning not really any fundamental flaw in the student themselves other than an intolerance for work they do not find meaningful if that can be considered a flaw

how to explain low gpa in personal statement with examples - Jun 30 2023

web sample personal statement that explains a low gpa my like grade spot average gpa and systematic tests likes the gro both gmat only tell about your capability or intellectual excellence in contrast the personal statement gives insights into your mind

apprendre avec les technologies cairn info - May 16 2023

web chapitre 1 médias et technologies dans l apprentissage apports et conflits 23 chapitre 2 les technologies quels usages pour quels effets 35 chapitre 3 la formation en tant que dispositif du terme au concept 47 chapitre 4

apprendre avec les technologies les cahiers pédagogiques - Nov 10 2022

web mar 14 2011 facebook twitter linkedin pinterest whatsapp telegram ce nouveau volume de la collection apprendre comme les précédents confié à des spécialistes universitaires le soin de synthétiser et de mettre à la disposition des praticiens un état des connaissances dans un domaine c est ici la question des environnements informatisés

apprendre avec les technologies numériques semantic scholar - Jun 05 2022

web dec 1 2012 cette note de synthèse vise à répondre à la question suivante quels sont les effets produits par l usage des technologies numériques sur le processus apprendre chez l adulte elle présente les recherches bibliographiques menées pour répondre à la question puis l analyse des documents pertinents trouvés

apprendre avec les technologies cairn info - Oct 21 2023

web l analyse la conception et l évaluation des technologies et ressources pour apprendre constituent l essentiel de cet ouvrage le lecteur se familiarisera avec des concepts comme ceux de design et de scénario pédagogiques de réseau et de communauté de dispositif de formation et de technologie comme instrument cognitif

apprendre avec les technologies numériques researchgate - Mar 14 2023

web dec 1 2012 une revue de la littérature scientifique en matière d usage du numérique à l université pour professionnaliser les étudiants se destinant aux métiers de l enseignement permet d établir

apprendre avec les technologies bernadette charlier apprendre - Sep 20 2023

web aug 25 2010 l analyse la conception et l évaluation des technologies et ressources pour apprendre constituent l essentiel de cet ouvrage le lecteur se familiarisera avec des concepts comme ceux de design et de scénario pédagogiques de réseau et de communauté de dispositif de formation et de technologie comme instrument cognitif

apprendre et enseigner avec les nouvelles technologies et - Apr 03 2022

web cours permettre aux étudiants de o comprendre les nouvelles technologies de l information et de la communication ntic audio visuel multimédias réseau internet o cerner les possibilités pédagogiques et les limites des ntic o décrire des dispositifs pédagogiques intégrant ces outils o évaluer les

technology digital learning at schools in singapore honeykids asia - May 04 2022

web may 5 2023 the perse school singapore if you re looking for a school that blends innovation technology and face to face learning you ve landed in the right place the perse school singapore is a fully technology enabled school says head of science jeffri khalid technology is integrated seamlessly into our curriculum facilitating

chapitre 11 les tic ont elles transformé l enseignement et la - Mar 02 2022

web l usage des dernières nouvelles technologies est très souvent plébiscité par les politiques mais aussi par certains formateurs d enseignants et chercheurs porteurs de projets

[pdf enseigner avec les technologies favoriser les apprentissages](#) - Sep 08 2022

web pdf on jan 1 2007 christian depover and others published enseigner avec les technologies favoriser les apprentissages développer des compétences find read and cite all the research you

[technology skills online learning at sg international schools](#) - Jul 06 2022

web may 23 2023 dover court international school dcis operates on a bring your own device policy for students in primary and secondary schools this ensures that technology skills are seamlessly embedded into the learning experience across all curriculum areas at the foundation of learning using technology at dcis is the commitment to digital

[apprendre avec les technologies openedition journals](#) - Apr 15 2023

web nov 9 2010 il y trouvera l apport d experts en sciences de l éducation sciences de la communication et informatique lui offrant une synthèse des recherches récentes sur les transformations que les technologies induisent dans l enseignement et l apprentissage haut de page auteurs bernadette charlier dir france henri dir haut de page discipline

les technologies dans l éducation 2021 2 gem report - Feb 13 2023

web un secteur des technologies éducatives a émergé et s est concentré successivement sur l élaboration et la diffusion de contenus éducatifs les systèmes de gestion de l apprentissage les applications linguistiques la réalité augmentée et virtuelle le tutorat personnalisé et le contrôle des connaissances

[digital learning apprendre avec les nouvelles technologies](#) - Jul 18 2023

web on peut définir le digital learning comme une méthode d apprentissage ou une approche pédagogique au cours de laquelle sont utilisés des outils digitaux et ce de différentes manières en présentiel en distanciel formation à distance asynchrone ou synchrone au travail ou même en formation mixte dite blended learning

des technologies pour enseigner et apprendre cairn info - Dec 11 2022

web les technologies de l information et de la communication tic sont souvent proposées comme une solution aux problèmes de l enseignement et de l apprentissage bien sûr ces nouveaux outils offrent des potentiels et des ressources importantes

bernadette charlier france henri apprendre avec les technologies - Oct 09 2022

web 3 les premiers chapitres regroupés sous le titre comprendre les technologies sont centrés sur les enjeux pédagogiques sociaux et organisationnels nés des usages des technologies les six chercheurs sollicités repèrent tout à tour les apports et les conflits liés à l usage des médias et techniques lors des apprentissages et

Éducation comment la technologie enrichit l apprentissage jdn - Jun 17 2023

web dec 18 2020 kahoot mis à jour le 18 12 20 12 52 la crise sanitaire a bouleversé la manière d apprendre et accéléré l évolution technologique au sein des écoles et des entreprises une

[apprendre avec les technologies de bernadette charlier decitre](#) - Jan 12 2023

web aug 25 2010 il y trouvera l apport d experts en sciences de l éducation sciences de la communication et informatique lui offrant une synthèse des recherches récentes sur les transformations que les technologies induisent dans l enseignement et l apprentissage

[apprendre avec les technologies numériques quels effets](#) - Aug 19 2023

web 13au final les effets des technologies numériques sur l apprendre sont étudiés aujourd'hui dans au moins trois domaines bien distincts des sciences de l éducation éducation à distance e learning et serious games auxquels il faut ajouter la psychologie psychologie cognitive psychologie des apprentissages et pour l

[apprendre avec les technologies broché fnac](#) - Aug 07 2022

web apprendre avec les technologies feuilleté format broché broché 25 50 ebook epub 19 99 offres sur ce produit avec le retrait magasin fnac renouvellement fnac à 4 99 résumé voir tout l usage des technologies est aujourd'hui un acquis aussi bien pour l éducation que pour la formation professionnelle

mca admissions form 2014 15 sinhgad technical education - Jan 01 2022

web university of pune mc6769 solapur campus 7 sinhgad school of computer studies sscs opp solapur university kegaon solapur pune national highway solapur

application 2014 for mokopane college pdf full pdf - Apr 04 2022

web application 2014 for mokopane college pdf application 2014 for mokopane college pdf book review unveiling the power of words in some sort of driven by information

[application 2014 for mokopane college pdf pdf support ortax](#) - Apr 16 2023

web application 2014 for mokopane college pdf pdf support ortax org created date 9 6 2023 4 34 45 am

application2014formokopanecollege pdf content consello - Nov 11 2022

web application2014formokopanecollege 1 application2014form okopanecollege application2014formokopanecollege downloaded from content consello com by

application 2014 for mokopane college doblespacio uchile - Oct 30 2021

web application 2014 for mokopane college 1 application 2014 for mokopane college yeah reviewing a ebook application 2014 for mokopane college could ensue your

application 2014 for mokopane college pdf pdf black ortax - May 17 2023

web application 2014 for mokopane college pdf pdf black ortax org created date 8 31 2023 10 27 40 pm

[mokopane tvet college online application 2024](#) - May 05 2022

web applying online to mokopane tvet college for 2024 how can i apply for limpopo 2024 mokopane tvet college offers prospective students the opportunity to apply online for

application 2014 for mokopane college bespoke cityam com - Oct 10 2022

web 2014 for mokopane college application for the second year lateral application 2014 for mokopane college clanhp de march 25th 2018 related application 2014 for

applications waterberg tvet college - Jul 19 2023

web the following are the steps you need to follow before applying for any course go to courses offered and choose one or two courses you would like to study get your latest academic

application 2014 for mokopane college pdf full pdf - Jan 13 2023

web may 1 2023 application 2014 for mokopane college pdf is available in our digital library an online access to it is set as public so you can download it instantly our books

mokopane tvet college online application fillable printable - Feb 14 2023

web cocodoc is the best spot for you to go offering you a user friendly and customizable version of mokopane tvet college online application as you ask for its complete collection of

application2014formokopanecollege full pdf - Nov 30 2021

web application 2014 for mokopane college 2 8 downloaded from uniport edu ng on april 17 2023 by guest information systems aimed at improving the quality and relevance of data

application 2014 for mokopane college iriss ac - Sep 09 2022

web 2 application 2014 for mokopane college 2020 04 30 right amount of complexity accessible examples from psychology and business help readers grasp the fine points

2022 2023 uluslararası Öğrenci tercih başvuruları mu - Jun 06 2022

web 5 kktc uyruklu olup kktc de ikamet eden ve kktc de ortaöğrenimini lise tamamlayan gce al sınav sonuçlarına sahip olanlar ile 2005 2010 tarihleri arasında diğer ülkelerdeki

application 2014 for mokopane college pdf rashid lombard copy - Feb 02 2022

web jun 30 2023 application 2014 for mokopane college pdf is available in our digital library an online access to it is set as public so you can download it instantly our book

application 2014 for mokopane college - Aug 08 2022

web if you goal to download and install the application 2014 for mokopane college it is completely simple then since currently we extend the associate to purchase and make

mokopane tvet college online application 2023 - Mar 15 2023

web mokopane tvet college application date the online application for the period starts on the 1st of april and will be closing by the 30th of november 2023 go through the

application 2014 for mokopane college housing gov mv - Jun 18 2023

web april 7th 2018 application 2014 for mokopane college isohd com pdf application 2014 for mokopane college pdf
download free 2014 plsc application form

did you attend the university of phoenix your federal loans - Sep 28 2021

web september 20 2023 image the department of education ed just announced that it will approve full federal student loan
forgiveness for university of phoenix students who 1

mokopane tvet college online application form signnow - Dec 12 2022

web the question arises how can i esign the mokopane tvet college online application 2023 i received right from my gmail
without any third party platforms the answer is simple

where to download application 2014 for mokopane college pdf - Aug 20 2023

web jul 19 2023 application 2014 for mokopane college but end up in malicious downloads rather than reading a good book
with a cup of tea in the afternoon instead

mokopane waterberg tvet college study at tvet colleges - Jul 07 2022

web all applicants who want to enrol in the college for the academic year are presently welcome to apply to mokopane
waterberg tvet college it and computer science centre

application 2014 for mokopane college pdf book - Mar 03 2022

web it is your completely own period to take action reviewing habit in the middle of guides you could enjoy now is application
2014 for mokopane college pdf below title