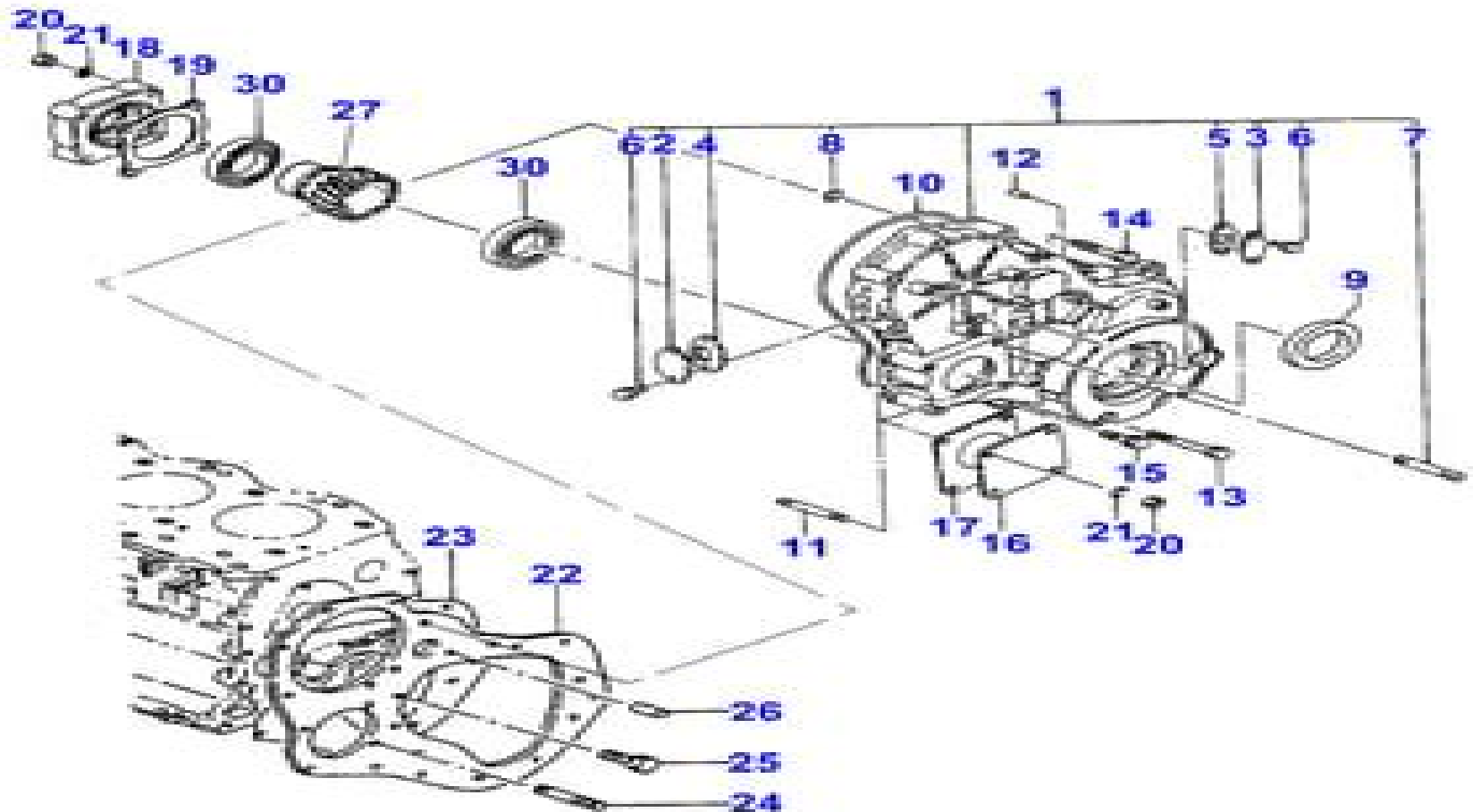


3 IS09-001-A



Massey Ferguson Mf 1250 Compact Tractor After E50101 Parts Manual

Massey-Ferguson (Aust.) Ltd.)



Massey Ferguson Mf 1250 Compact Tractor After E50101 Parts Manual:

Supplementary Parts Book Massey-Ferguson (Aust.) Ltd.), Parts Book Massey-Ferguson (Aust.) Ltd.),1974

Decoding **Massey Ferguson Mf 1250 Compact Tractor After E50101 Parts Manual**: Revealing the Captivating Potential of Verbal Expression

In a time characterized by interconnectedness and an insatiable thirst for knowledge, the captivating potential of verbal expression has emerged as a formidable force. Its capability to evoke sentiments, stimulate introspection, and incite profound transformations is genuinely awe-inspiring. Within the pages of "**Massey Ferguson Mf 1250 Compact Tractor After E50101 Parts Manual**," a mesmerizing literary creation penned by a celebrated wordsmith, readers set about an enlightening odyssey, unraveling the intricate significance of language and its enduring affect our lives. In this appraisal, we shall explore the book's central themes, evaluate its distinctive writing style, and gauge its pervasive influence on the hearts and minds of its readership.

<https://www.splashdogs.com/About/Resources/HomePages/Hasselblad%20A12%20Repair%20Manual.pdf>

Table of Contents Massey Ferguson Mf 1250 Compact Tractor After E50101 Parts Manual

1. Understanding the eBook Massey Ferguson Mf 1250 Compact Tractor After E50101 Parts Manual
 - The Rise of Digital Reading Massey Ferguson Mf 1250 Compact Tractor After E50101 Parts Manual
 - Advantages of eBooks Over Traditional Books
2. Identifying Massey Ferguson Mf 1250 Compact Tractor After E50101 Parts Manual
 - Exploring Different Genres
 - Considering Fiction vs. Non-Fiction
 - Determining Your Reading Goals
3. Choosing the Right eBook Platform
 - Popular eBook Platforms
 - Features to Look for in an Massey Ferguson Mf 1250 Compact Tractor After E50101 Parts Manual
 - User-Friendly Interface
4. Exploring eBook Recommendations from Massey Ferguson Mf 1250 Compact Tractor After E50101 Parts Manual
 - Personalized Recommendations

- Massey Ferguson Mf 1250 Compact Tractor After E50101 Parts Manual User Reviews and Ratings
- Massey Ferguson Mf 1250 Compact Tractor After E50101 Parts Manual and Bestseller Lists
- 5. Accessing Massey Ferguson Mf 1250 Compact Tractor After E50101 Parts Manual Free and Paid eBooks
 - Massey Ferguson Mf 1250 Compact Tractor After E50101 Parts Manual Public Domain eBooks
 - Massey Ferguson Mf 1250 Compact Tractor After E50101 Parts Manual eBook Subscription Services
 - Massey Ferguson Mf 1250 Compact Tractor After E50101 Parts Manual Budget-Friendly Options
- 6. Navigating Massey Ferguson Mf 1250 Compact Tractor After E50101 Parts Manual eBook Formats
 - ePub, PDF, MOBI, and More
 - Massey Ferguson Mf 1250 Compact Tractor After E50101 Parts Manual Compatibility with Devices
 - Massey Ferguson Mf 1250 Compact Tractor After E50101 Parts Manual Enhanced eBook Features
- 7. Enhancing Your Reading Experience
 - Adjustable Fonts and Text Sizes of Massey Ferguson Mf 1250 Compact Tractor After E50101 Parts Manual
 - Highlighting and Note-Taking Massey Ferguson Mf 1250 Compact Tractor After E50101 Parts Manual
 - Interactive Elements Massey Ferguson Mf 1250 Compact Tractor After E50101 Parts Manual
- 8. Staying Engaged with Massey Ferguson Mf 1250 Compact Tractor After E50101 Parts Manual
 - Joining Online Reading Communities
 - Participating in Virtual Book Clubs
 - Following Authors and Publishers Massey Ferguson Mf 1250 Compact Tractor After E50101 Parts Manual
- 9. Balancing eBooks and Physical Books Massey Ferguson Mf 1250 Compact Tractor After E50101 Parts Manual
 - Benefits of a Digital Library
 - Creating a Diverse Reading Collection Massey Ferguson Mf 1250 Compact Tractor After E50101 Parts Manual
- 10. Overcoming Reading Challenges
 - Dealing with Digital Eye Strain
 - Minimizing Distractions
 - Managing Screen Time
- 11. Cultivating a Reading Routine Massey Ferguson Mf 1250 Compact Tractor After E50101 Parts Manual
 - Setting Reading Goals Massey Ferguson Mf 1250 Compact Tractor After E50101 Parts Manual
 - Carving Out Dedicated Reading Time
- 12. Sourcing Reliable Information of Massey Ferguson Mf 1250 Compact Tractor After E50101 Parts Manual
 - Fact-Checking eBook Content of Massey Ferguson Mf 1250 Compact Tractor After E50101 Parts Manual

- Distinguishing Credible Sources
- 13. Promoting Lifelong Learning
 - Utilizing eBooks for Skill Development
 - Exploring Educational eBooks
- 14. Embracing eBook Trends
 - Integration of Multimedia Elements
 - Interactive and Gamified eBooks

Massey Ferguson Mf 1250 Compact Tractor After E50101 Parts Manual Introduction

In today's digital age, the availability of Massey Ferguson Mf 1250 Compact Tractor After E50101 Parts Manual books and manuals for download has revolutionized the way we access information. Gone are the days of physically flipping through pages and carrying heavy textbooks or manuals. With just a few clicks, we can now access a wealth of knowledge from the comfort of our own homes or on the go. This article will explore the advantages of Massey Ferguson Mf 1250 Compact Tractor After E50101 Parts Manual books and manuals for download, along with some popular platforms that offer these resources. One of the significant advantages of Massey Ferguson Mf 1250 Compact Tractor After E50101 Parts Manual books and manuals for download is the cost-saving aspect. Traditional books and manuals can be costly, especially if you need to purchase several of them for educational or professional purposes. By accessing Massey Ferguson Mf 1250 Compact Tractor After E50101 Parts Manual versions, you eliminate the need to spend money on physical copies. This not only saves you money but also reduces the environmental impact associated with book production and transportation. Furthermore, Massey Ferguson Mf 1250 Compact Tractor After E50101 Parts Manual books and manuals for download are incredibly convenient. With just a computer or smartphone and an internet connection, you can access a vast library of resources on any subject imaginable. Whether you're a student looking for textbooks, a professional seeking industry-specific manuals, or someone interested in self-improvement, these digital resources provide an efficient and accessible means of acquiring knowledge. Moreover, PDF books and manuals offer a range of benefits compared to other digital formats. PDF files are designed to retain their formatting regardless of the device used to open them. This ensures that the content appears exactly as intended by the author, with no loss of formatting or missing graphics. Additionally, PDF files can be easily annotated, bookmarked, and searched for specific terms, making them highly practical for studying or referencing. When it comes to accessing Massey Ferguson Mf 1250 Compact Tractor After E50101 Parts Manual books and manuals, several platforms offer an extensive collection of resources. One such platform is Project Gutenberg, a nonprofit organization that provides over 60,000 free eBooks. These books are primarily in the public domain, meaning they can be freely distributed and

downloaded. Project Gutenberg offers a wide range of classic literature, making it an excellent resource for literature enthusiasts. Another popular platform for Massey Ferguson Mf 1250 Compact Tractor After E50101 Parts Manual books and manuals is Open Library. Open Library is an initiative of the Internet Archive, a non-profit organization dedicated to digitizing cultural artifacts and making them accessible to the public. Open Library hosts millions of books, including both public domain works and contemporary titles. It also allows users to borrow digital copies of certain books for a limited period, similar to a library lending system. Additionally, many universities and educational institutions have their own digital libraries that provide free access to PDF books and manuals. These libraries often offer academic texts, research papers, and technical manuals, making them invaluable resources for students and researchers. Some notable examples include MIT OpenCourseWare, which offers free access to course materials from the Massachusetts Institute of Technology, and the Digital Public Library of America, which provides a vast collection of digitized books and historical documents. In conclusion, Massey Ferguson Mf 1250 Compact Tractor After E50101 Parts Manual books and manuals for download have transformed the way we access information. They provide a cost-effective and convenient means of acquiring knowledge, offering the ability to access a vast library of resources at our fingertips. With platforms like Project Gutenberg, Open Library, and various digital libraries offered by educational institutions, we have access to an ever-expanding collection of books and manuals. Whether for educational, professional, or personal purposes, these digital resources serve as valuable tools for continuous learning and self-improvement. So why not take advantage of the vast world of Massey Ferguson Mf 1250 Compact Tractor After E50101 Parts Manual books and manuals for download and embark on your journey of knowledge?

FAQs About Massey Ferguson Mf 1250 Compact Tractor After E50101 Parts Manual Books

1. Where can I buy Massey Ferguson Mf 1250 Compact Tractor After E50101 Parts Manual books? Bookstores: Physical bookstores like Barnes & Noble, Waterstones, and independent local stores. Online Retailers: Amazon, Book Depository, and various online bookstores offer a wide range of books in physical and digital formats.
2. What are the different book formats available? Hardcover: Sturdy and durable, usually more expensive. Paperback: Cheaper, lighter, and more portable than hardcovers. E-books: Digital books available for e-readers like Kindle or software like Apple Books, Kindle, and Google Play Books.
3. How do I choose a Massey Ferguson Mf 1250 Compact Tractor After E50101 Parts Manual book to read? Genres: Consider the genre you enjoy (fiction, non-fiction, mystery, sci-fi, etc.). Recommendations: Ask friends, join book clubs, or explore online reviews and recommendations. Author: If you like a particular author, you might enjoy more of their

work.

4. How do I take care of Massey Ferguson Mf 1250 Compact Tractor After E50101 Parts Manual books? Storage: Keep them away from direct sunlight and in a dry environment. Handling: Avoid folding pages, use bookmarks, and handle them with clean hands. Cleaning: Gently dust the covers and pages occasionally.
5. Can I borrow books without buying them? Public Libraries: Local libraries offer a wide range of books for borrowing. Book Swaps: Community book exchanges or online platforms where people exchange books.
6. How can I track my reading progress or manage my book collection? Book Tracking Apps: Goodreads, LibraryThing, and Book Catalogue are popular apps for tracking your reading progress and managing book collections. Spreadsheets: You can create your own spreadsheet to track books read, ratings, and other details.
7. What are Massey Ferguson Mf 1250 Compact Tractor After E50101 Parts Manual audiobooks, and where can I find them? Audiobooks: Audio recordings of books, perfect for listening while commuting or multitasking. Platforms: Audible, LibriVox, and Google Play Books offer a wide selection of audiobooks.
8. How do I support authors or the book industry? Buy Books: Purchase books from authors or independent bookstores. Reviews: Leave reviews on platforms like Goodreads or Amazon. Promotion: Share your favorite books on social media or recommend them to friends.
9. Are there book clubs or reading communities I can join? Local Clubs: Check for local book clubs in libraries or community centers. Online Communities: Platforms like Goodreads have virtual book clubs and discussion groups.
10. Can I read Massey Ferguson Mf 1250 Compact Tractor After E50101 Parts Manual books for free? Public Domain Books: Many classic books are available for free as they're in the public domain. Free E-books: Some websites offer free e-books legally, like Project Gutenberg or Open Library.

Find Massey Ferguson Mf 1250 Compact Tractor After E50101 Parts Manual :

hasselblad a12 repair manual

[hasselblad meter prism finder pme90 owners manual](#)

[harsh prey a shalan adventure the shalan adventures book 1](#)

hasil o2sn jambi 2015

hating alison ashley study guide

[hasil osn sd kabupaten blitar](#)

harvey birdman attorney at law style, guide

hawks of outremer

hasil osn sma tingkat provinsi jawa barat 2015

haynes 1964 ford thunderbird repair manual

harmful effects of shooting games different range of shooting games

harris daniel solution manual

harrison manual of medicine

hasil seleksi ppdb smpn 1 ngawi

hasil osn tingkat propinsi jawa barat

Massey Ferguson Mf 1250 Compact Tractor After E50101 Parts Manual :

echt abgehoben faszination modellhelikopter amazon de - Jul 05 2023

web echt abgehoben faszination modellhelikopter pichel stefan isbn 9783837005219 kostenloser versand für alle bücher mit versand und verkauf durch amazon

pichel stefan zvak - Jun 23 2022

web aug 30 2007 echt abgehoben faszination modellhelikopter von pichel stefan und eine große auswahl ähnlicher bücher kunst und sammlerstücke erhältlich auf zvak.com

echt abgehoben faszination modellhelikopter by stefan pichel - Sep 26 2022

web read reviews from the world's largest community for readers grundlagen fachbuch zu ferngesteuerten elektro modellhelikoptern für einsteiger die gerade vo

echt abgehoben faszination modellhelikopter german edition - Mar 01 2023

web faszination modellhelikopter german edition 9783837005219 by pichel stefan and a great selection of similar new used and collectible books available now at great prices echt abgehoben faszination modellhelikopter german edition pichel stefan 9783837005219 abebooks

echt abgehoben faszination modellhelikopter overdrive - Apr 21 2022

web you are in page mode echt abgehoben stefan pichel calculating pages loading

echt abgehoben faszination modellhelikopter paperback - Jan 31 2023

web buy echt abgehoben faszination modellhelikopter by pichel stefan isbn 9783837005219 from amazon's book store everyday low prices and free delivery on eligible orders

echt abgehoben faszination modellhelikopter softcover - Aug 26 2022

web echt abgehoben faszination modellhelikopter von pichel stefan bei abebooks.de isbn 10 3837005216 isbn 13

9783837005219 books on demand 2007 softcover faszination modellhelikopter pichel stefan 9783837005219 abebooks
stefan pichel zvab - Jul 25 2022

web aug 30 2007 echt abgehoben faszination modellhelikopter von pichel stefan und eine große auswahl ähnlicher bücher kunst und sammlerstücke erhältlich auf zvab com

echt abgehoben on apple books - Nov 28 2022

web echt abgehoben faszination modellhelikopter stefan pichel 9 99 9 99 publisher description Grundlagen Fachbuch zu ferngesteuerten elektro modellhelikoptern für einsteiger die gerade vor der kaufentscheidung stehen oder bereits mit den ersten flugversuchen begonnen haben neben rechtlichen hinweisen werden unterschiedliche

echt abgehoben faszination modellhelikopter google play - Sep 07 2023

web echt abgehoben faszination modellhelikopter ebook written by stefan pichel read this book using google play books app on your pc android ios devices download for offline reading

echt abgehoben faszination modellhelikopter paperback - Dec 30 2022

web echt abgehoben faszination modellhelikopter paperback by stefan pichel 13 90 usually ships in 1 5 days description Grundlagen Fachbuch zu ferngesteuerten elektro modellhelikoptern für einsteiger die gerade vor der kaufentscheidung stehen oder bereits mit den ersten flugversuchen begonnen haben neben rechtlichen hinweisen werden

echt abgehoben faszination modellhelikopter german edition - Apr 02 2023

web aug 30 2007 echt abgehoben faszination modellhelikopter german edition pichel stefan on amazon com free shipping on qualifying offers faszination modellhelikopter german edition

homedesign modellhelikoptershop - Mar 21 2022

web modellhelikoptershop ist enterprise partner von dji zum artikel neu artikel von modster 15 rabattaktion zur einföhrung zu den artikeln anbot des monats performance xnova 4035 300kv shaft b 2 stück vorhanden neupreis 299 anbotpreis 199 zum artikel yuneecc commercial partner

echt abgehoben faszination modellhelikopter kindle ausgabe amazon de - Aug 06 2023

web echt abgehoben faszination modellhelikopter ebook pichel stefan amazon de kindle shop

echt abgehoben by stefan pichel overdrive - Jun 04 2023

web mar 23 2011 echt abgehoben echt abgehoben ebook faszination modellhelikopter by stefan pichel read a sample format ebook isbn 9783837005219 author stefan pichel publisher books on demand release 23 march 2011 subjects antiques

nonfiction find this title in libby the library reading app by overdrive search

download echt abgehoben faszination modellhelikopter - Feb 17 2022

web das buch echt abgehoben faszination modellhelikopter kinderbücher gratis echt abgehoben faszination modellhelikopter

kostenlose online bücher echt abgehoben faszination modellhelikopter

echt abgehoben faszination modellhelikopter by pichel stefan - May 03 2023

web buy echt abgehoben faszination modellhelikopter by pichel stefan online on amazon ae at best prices fast and free shipping free returns cash on delivery available on eligible purchase

echt abgehoben faszination modellhelikopter alibris - May 23 2022

web buy echt abgehoben faszination modellhelikopter by stefan pichel online at alibris we have new and used copies available in 1 editions starting at 11 19 shop now

echt abgehoben faszination modellhelikopter amazon com tr - Oct 08 2023

web echt abgehoben faszination modellhelikopter pichel stefan amazon com tr kitap

echt abgehoben faszination modellhelikopter abebooks - Oct 28 2022

web echt abgehoben faszination modellhelikopter by pichel stefan isbn 10 3837005216 isbn 13 9783837005219 books on demand 2007 softcover

calcgen exe what is it and how to remove it solved - Sep 29 2021

web mar 6 2014 in this article i will give you full information about what is calcgen exe process what type of errors you may get using this file how to fix file errors and then i will show

calcgen to unlock radio from dump gsm forum - Feb 15 2023

web aug 2 2010 calcgen to unlock radio from dump here is new version of calc gen to unlock allot of car radio from dump last edited by zlix 08 02 2010 at 16 53 reason rules

calcgen 2 21 71 autoconfig ablogtwatch com - Jan 14 2023

web calcgen 2 21 71 downloaded from autoconfig ablogtwatch com by guest logan jaquan general properties of matter saunders why is there an h in ghost william caxton

vikolejen type ii collagen İçeren takviye edici gıda 30 tablet - Jun 07 2022

web 15 mg Çinko glukonat Çinko 60 mg magnezyum oksit magnezyum vikojen tablet kullanım Şekli hekim tarafından başka şekilde önerilmediği takdirde yemekten önce

calcgen 2021 mhh auto page 1 - Aug 21 2023

web dec 15 2021 1 12 15 2021 05 32 pm about calcgen made by i s a 2021 f i r s t r e l e a s e v e r s i o n calcgen that means general calculator this calculator

calcgen 2 21 71 liululu - Jan 02 2022

web calcgen 2 21 71 www indeed com fm 3 21 71 mechanized infantry platoon and squad bradley table of contents cover preface chapter 1 the role of the mechanized infantry rifle

[calcgen rar reposed com](#) - Mar 16 2023

web direct link download calcgen rar at reposed com file size 261 75 kb md5 65a2f68fffc89249f6e3956c7d6bd1fd and modified 2021 07 28t03 26 19 000z

calcgen 2 21 71 mintxx top - Jul 08 2022

web calcgen 2 21 71 narod ru may 2nd 2018 car radio code calculator 1 1 carradio eeprom code reader v1 10 dragon electronics radio decoder dump utility 4 1

calcgen 2 21 71 uniport edu ng - Sep 10 2022

web calcgen 2 21 71 1 8 downloaded from uniport edu ng on april 24 2023 by guest calcgen 2 21 71 recognizing the pretentiousness ways to get this books calcgen 2 21 71 is

biowell plus ii glucosamine collagen tip 2 kolajen 60 kapsül - Nov 12 2022

web 950 tl suda collagen fxone tip i u m collagen tablet 199 213 17 tl biowell plus ii glucosamine collagen 60 kapsül 26 313 50 tl 2 adet ve Üzeri 20 tl İndirim

calcgen 2 21 71 stag butterfield - Mar 04 2022

web jun 4 2023 you could rapidly fetch this calcgen 2 21 71 after acquiring offer this is likewise one of the components by obtaining the digital files of this calcgen 2 21 71 by

calcgen v 1 1 2 21 71 157 exe what is it and how to remove it - Jun 19 2023

web to prevent issues with calcgen v 1 1 2 21 71 157 exe it s crucial to maintain a clean and organized computer this involves conducting regular malware scans 1 by freeing up

[download calculator calcgen v 1 1 1 2 21 71 157 rar](#) - Jul 20 2023

web file name calculator calcgen v 1 1 1 2 21 71 157 rar upload date 2015 09 26t21 27 22 000z size 398913 content copythis file is hosted at free file sharing

calcgen 2023 youtube - May 18 2023

web calcgen 2022 general calculator for decoding from files and from serial number unlocking radio code solutions it is made by i s a 2021 2022 2023

[calcgen 2 21 71 test thelyst com](#) - May 06 2022

web we provide calcgen 2 21 71 and numerous books collections from fictions to scientific research in any way in the midst of them is this calcgen 2 21 71 that can be your

celergen türkiye - Aug 09 2022

web celergen insan vücudunun doğal iyileştirme güçlerini uyaran güçlü bir beslenme tedavisidir celergen tek tek hücrelerin onarımını ve gençleşmesini tetikler anahtar bileşenlerinden

calcgen by isa 2009 Carsofts com car portal - Apr 17 2023

web apr 13 2021 calcgen by isa 2009 works with dumps of becker blaupunkt blaupunkt card vw delco matsushita honda grundig and phillips this program allows you to

[calcgen 2 21 71 sharjahsports gov](#) - Feb 03 2022

web jun 1 2023 realizing the hyperbole ways to download this ebook calcgen 2 21 71 is in addition useful yet below when you visit this web page it will be suitably no question

[calcgen 2 21 71 uniport edu ng](#) - Oct 11 2022

web apr 15 2023 as this calcgen 2 21 71 it ends up inborn one of the favored book calcgen 2 21 71 collections that we have this is why you remain in the best website to look the

[calcgen by isa 2010 better free downloads 1](#) - Dec 01 2021

web rating 4 5 5 write a comment calcgen by isa 1 calcgen free by isa in hindi download ubuntu 90 163 91 107 ameene pataaki full movie online aane calcgen by isa 2010 free

calcgen 2 21 71 uniport edu ng - Dec 13 2022

web aug 9 2023 calcgen 2 21 71 1 10 downloaded from uniport edu ng on august 9 2023 by guest calcgen 2 21 71 if you ally craving such a referred calcgen 2 21 71 books that will

[calgen tablet buy strip of 15 tablets at best price in india 1mg](#) - Oct 31 2021

web calgen tablet is a nutritional supplement which is used as bone joint supplement it contains calcium vitamin d calcitriol role of key ingredient calcium is a mineral that is

calcgen 2 21 71 trade inredemption sonymobile - Apr 05 2022

web calcgen 2 21 71 calcgen 2 21 71 71 2014 imdb zire handheld wikipedia psalm 71 niv in you lord i have taken refuge let 1 2 3 4 5 6 7 8 9 10 1 2 3 4 5 6 7 8 9 10 11 12 13 14 15

the despicable guy book 2 pdf scribd - Jun 01 2023

web the despicable guy book 2 free ebook download as text file txt pdf file pdf or read book online for free

the despicable guy book 2 special chapter 2 wattpad - Jan 28 2023

web published under pop fiction 2014 special chapter 2 208k 2 2k 195 ni shirlengtearjerky dedicated kay stresseater few days bago ang scheduled check up ni jersey sa ob

despicable guy 2 pdf scribd - Oct 25 2022

web shara lyn word document copyright attribution non commercial by nc available formats download as docx pdf txt or read online from scribd flag for

the despicable guy book 2 special chapter 1 wattpad - Mar 30 2023

web read special chapter 1 from the story the despicable guy book 2 by shirlengtearjerky leng anne with 331 266 reads disclaimer kaya nasa unahan ang special

[the despicable guy by leng de chavez goodreads](#) - Sep 23 2022

web jan 13 2014 4 38 2 271 ratings 78 reviews what happens when the devil woman meets the despicable guy hurting from a break up jersey becomes determined to start and

the despicable guy book 2 by shirlengtearjerky wattpad pop - Jul 22 2022

web buy the despicable guy book 2 by shirlengtearjerky wattpad pop fiction online today a and d preloved but in very very good condition plastic covered with bookmark

the despicable guy book 2 wattpad - Jul 02 2023

web read story the despicable guy book 2 by shirlengtearjerky leng anne with 261 527 reads prologue

[download the despicable guy book 2 documents and e books](#) - May 20 2022

web download the despicable guy book 2 type pdf date january 2022 size 1 3mb author jennifer dilig de guzman this document was uploaded by user and they

the despicable guy book 2 by shirlengtearjerky - Dec 27 2022

web the despicable guy book 2 shirlengtearjerky add cover content warnings this book doesn t have any content warnings yet if you re the author of this book and want to add

[the despicable guy book 2 q6ngjedxz6nv documents and e](#) - Jun 20 2022

web the despicable guy book 2 uploaded by jennifer dilig de guzman january 2022 pdf bookmark

shirlengtearjerky stories the despicable weebly - Apr 30 2023

web shirlengtearjerky stories

[the despicable guy series by leng de chavez goodreads](#) - Aug 03 2023

web by leng de chavez 4 38 2 271 ratings 78 reviews published 2014 4 editions what happens when the devil woman meets the despicious want to read rate it book 2 the

the despicable guy book 2 shirlengtearjerky pdf scribd - Aug 23 2022

web the despicable guy book 2 shirlengtearjerky uploaded by ara peping novel copyright attribution non commercial by nc available formats download as txt

the despicable guy 2 by leng de chavez goodreads - Nov 25 2022

web buy on amazon rate this book the despicable guy 2 the despicable guy 2 leng de chavez 4 50 1 554 ratings 36 reviews want to read buy on amazon rate this book

[the despicable guy book 2 by shirlengtearjerky goodreads](#) - Sep 04 2023

web the despicable guy book 2 leng de Chavez 4 69 16 ratings 0 reviews want to read buy on amazon rate this book kindle edition published november 12 2015

the despicable guy book 2 pdf uniport edu - Mar 18 2022

web deadpool has a lot of unfinished business in his inbox and he s determined to take care of it all before any sort of bad and permanent ish thing happens to him revenge on hydra s

psicom and pop fiction books s the despicable guy 2 - Apr 18 2022

web read s the despicable guy 2 from the story psicom and pop fiction books by angelicajoyceg ange with 3 738 reads wattpad stories published books popfictionb

the despicable guy book 2 pdf scribd - Feb 14 2022

web scribd is the world s largest social reading and publishing site

the despicable guy book 2 leng anne wattpad - Oct 05 2023

web jun 10 2011 betrayed by the people she once loved cared for and protected queen gatria is determined to make everyone suffer and feel her wrath with the intent of

the despicable guy book 2 tdg book 2 chapter 2 wattpad - Feb 26 2023

web 144k 1 3k 160 ni shirlengtearjerky tdg book 2 chapter 2 a day in the life of jersey santiago 8 30 10am sa bahay kakagising lang morning rituals check