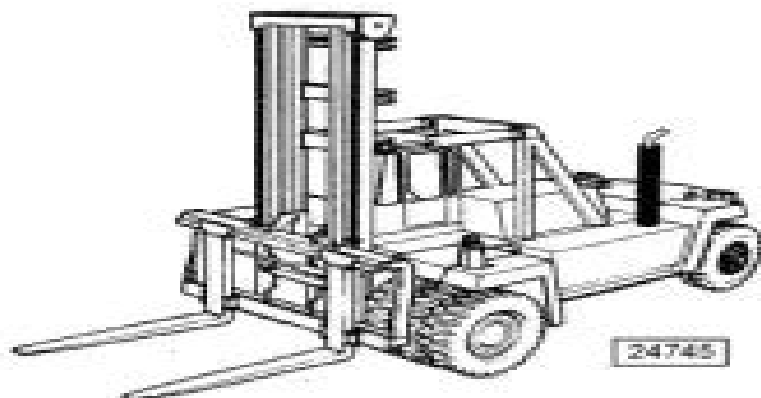


# SPARE PARTS CATALOGUE RESERVDELSKATALOG

## DC 20-25



**NOTE!** Always check the machine card and specifications for your fork lift truck before using this spare parts catalogue.

**OBS!** Kontrollera alltid truckens maskinkort och ev. maskinspecifikationer

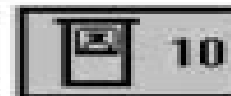
machine card, now to read and use it  
**NOTE!** Important that you read this!  
Maskinkort, hur det läses och används  
**OBS!** Viktigt att Du läser detta!

Catalogue Instructions

**00**

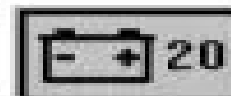
Kataloganvisningar

Truck Body and Cab



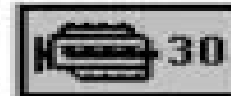
Chassi och hytt

Electrical System



Elsystem

Engine and Exhaust System



Motor och avgassystem

Power Transmission



Kraftöverföring, bromsar

Compressed Air System



Tryckluftssystem

Steering System



Styrsystem

Hydraulic System



Hydraulsystem

Lifting Mast, Carriage and Forks



Lyftstativ, vagn och gafflar

Miscellaneous Equipment

# Kalmar Parts Manual

**Wenbin Ji**

A decorative graphic element consisting of a light blue horizontal bar with a rounded right end, and a red circular glow behind it.

## **Kalmar Parts Manual:**

, Catalogue of the Educational Division of the South Kensington Museum ,1867 *Catalogue of the educational division of the South Kensington museum* Victoria and Albert museum,1867 **Catalogue of the Educational Division of the South Kensington Museum** South Kensington Museum,1876 **Moody's International Manual** ,1998 Thomas Register of American Manufacturers and Thomas Register Catalog File ,2002 Vols for 1970 71 includes manufacturers catalogs **Monthly Catalogue, United States Public Documents** ,1992 *Monthly Catalog of United States Government Publications* ,1992 **The National Union Catalog** ,1963 **A school manual of modern geography. Physical and political** John Richardson (vicar of St. Mary's hospital, Ilford.),1876 THOMAS REGIONAL INDUSTRIAL BUYING GUIDE NORTHERN CALIFORNIA 2004 , **A smaller manual of modern geography. Physical and political** John Richardson (vicar of St. Mary's hospital, Ilford.),1880 **The Legislative Manual of the State of Minnesota** Minnesota. Secretary of State,1901 Popular Mechanics ,1939-06 Popular Mechanics inspires instructs and influences readers to help them master the modern world Whether it s practical DIY home improvement tips gadgets and digital technology information on the newest cars or the latest breakthroughs in science PM is the ultimate guide to our high tech lifestyle The Investor's Monthly Manual ,1919 **National Union Catalog** ,1963 Regional Industrial Buying Guide ,2000 **Catalog of Copyright Entries. Third Series** Library of Congress. Copyright Office,1974 **Thomas Regional Industrial Buying Guide** ,2002 **Dictionary Catalog of the Rodgers and Hammerstein Archives of Recorded Sound** Rodgers and Hammerstein Archives of Recorded Sound,New York Public Library. Library & Museum of the Performing Arts,1981

## Unveiling the Energy of Verbal Beauty: An Emotional Sojourn through **Kalmar Parts Manual**

In a global inundated with displays and the cacophony of immediate transmission, the profound energy and psychological resonance of verbal beauty frequently fade into obscurity, eclipsed by the constant barrage of noise and distractions. However, located within the lyrical pages of **Kalmar Parts Manual**, a interesting work of fictional elegance that pulses with natural feelings, lies an wonderful journey waiting to be embarked upon. Published by a virtuoso wordsmith, this enchanting opus instructions viewers on an emotional odyssey, lightly revealing the latent potential and profound impact stuck within the delicate internet of language. Within the heart-wrenching expanse of the evocative evaluation, we can embark upon an introspective exploration of the book is main styles, dissect its captivating writing model, and immerse ourselves in the indelible impression it leaves upon the depths of readers souls.

[https://www.splashdogs.com/About/publication/Documents/M14\\_Technical\\_Manual.pdf](https://www.splashdogs.com/About/publication/Documents/M14_Technical_Manual.pdf)

### **Table of Contents Kalmar Parts Manual**

1. Understanding the eBook Kalmar Parts Manual
  - The Rise of Digital Reading Kalmar Parts Manual
  - Advantages of eBooks Over Traditional Books
2. Identifying Kalmar Parts Manual
  - Exploring Different Genres
  - Considering Fiction vs. Non-Fiction
  - Determining Your Reading Goals
3. Choosing the Right eBook Platform
  - Popular eBook Platforms
  - Features to Look for in an Kalmar Parts Manual
  - User-Friendly Interface
4. Exploring eBook Recommendations from Kalmar Parts Manual
  - Personalized Recommendations

- Kalmar Parts Manual User Reviews and Ratings
- Kalmar Parts Manual and Bestseller Lists
- 5. Accessing Kalmar Parts Manual Free and Paid eBooks
  - Kalmar Parts Manual Public Domain eBooks
  - Kalmar Parts Manual eBook Subscription Services
  - Kalmar Parts Manual Budget-Friendly Options
- 6. Navigating Kalmar Parts Manual eBook Formats
  - ePub, PDF, MOBI, and More
  - Kalmar Parts Manual Compatibility with Devices
  - Kalmar Parts Manual Enhanced eBook Features
- 7. Enhancing Your Reading Experience
  - Adjustable Fonts and Text Sizes of Kalmar Parts Manual
  - Highlighting and Note-Taking Kalmar Parts Manual
  - Interactive Elements Kalmar Parts Manual
- 8. Staying Engaged with Kalmar Parts Manual
  - Joining Online Reading Communities
  - Participating in Virtual Book Clubs
  - Following Authors and Publishers Kalmar Parts Manual
- 9. Balancing eBooks and Physical Books Kalmar Parts Manual
  - Benefits of a Digital Library
  - Creating a Diverse Reading Collection Kalmar Parts Manual
- 10. Overcoming Reading Challenges
  - Dealing with Digital Eye Strain
  - Minimizing Distractions
  - Managing Screen Time
- 11. Cultivating a Reading Routine Kalmar Parts Manual
  - Setting Reading Goals Kalmar Parts Manual
  - Carving Out Dedicated Reading Time
- 12. Sourcing Reliable Information of Kalmar Parts Manual
  - Fact-Checking eBook Content of Kalmar Parts Manual

- Distinguishing Credible Sources
13. Promoting Lifelong Learning
- Utilizing eBooks for Skill Development
  - Exploring Educational eBooks
14. Embracing eBook Trends
- Integration of Multimedia Elements
  - Interactive and Gamified eBooks

### **Kalmar Parts Manual Introduction**

In today's digital age, the availability of Kalmar Parts Manual books and manuals for download has revolutionized the way we access information. Gone are the days of physically flipping through pages and carrying heavy textbooks or manuals. With just a few clicks, we can now access a wealth of knowledge from the comfort of our own homes or on the go. This article will explore the advantages of Kalmar Parts Manual books and manuals for download, along with some popular platforms that offer these resources. One of the significant advantages of Kalmar Parts Manual books and manuals for download is the cost-saving aspect. Traditional books and manuals can be costly, especially if you need to purchase several of them for educational or professional purposes. By accessing Kalmar Parts Manual versions, you eliminate the need to spend money on physical copies. This not only saves you money but also reduces the environmental impact associated with book production and transportation. Furthermore, Kalmar Parts Manual books and manuals for download are incredibly convenient. With just a computer or smartphone and an internet connection, you can access a vast library of resources on any subject imaginable. Whether you're a student looking for textbooks, a professional seeking industry-specific manuals, or someone interested in self-improvement, these digital resources provide an efficient and accessible means of acquiring knowledge. Moreover, PDF books and manuals offer a range of benefits compared to other digital formats. PDF files are designed to retain their formatting regardless of the device used to open them. This ensures that the content appears exactly as intended by the author, with no loss of formatting or missing graphics. Additionally, PDF files can be easily annotated, bookmarked, and searched for specific terms, making them highly practical for studying or referencing. When it comes to accessing Kalmar Parts Manual books and manuals, several platforms offer an extensive collection of resources. One such platform is Project Gutenberg, a nonprofit organization that provides over 60,000 free eBooks. These books are primarily in the public domain, meaning they can be freely distributed and downloaded. Project Gutenberg offers a wide range of classic literature, making it an excellent resource for literature enthusiasts. Another popular platform for Kalmar Parts Manual books and manuals is Open Library. Open Library is an initiative of the Internet Archive, a non-profit organization dedicated to digitizing cultural

artifacts and making them accessible to the public. Open Library hosts millions of books, including both public domain works and contemporary titles. It also allows users to borrow digital copies of certain books for a limited period, similar to a library lending system. Additionally, many universities and educational institutions have their own digital libraries that provide free access to PDF books and manuals. These libraries often offer academic texts, research papers, and technical manuals, making them invaluable resources for students and researchers. Some notable examples include MIT OpenCourseWare, which offers free access to course materials from the Massachusetts Institute of Technology, and the Digital Public Library of America, which provides a vast collection of digitized books and historical documents. In conclusion, Kalmar Parts Manual books and manuals for download have transformed the way we access information. They provide a cost-effective and convenient means of acquiring knowledge, offering the ability to access a vast library of resources at our fingertips. With platforms like Project Gutenberg, Open Library, and various digital libraries offered by educational institutions, we have access to an ever-expanding collection of books and manuals. Whether for educational, professional, or personal purposes, these digital resources serve as valuable tools for continuous learning and self-improvement. So why not take advantage of the vast world of Kalmar Parts Manual books and manuals for download and embark on your journey of knowledge?

### **FAQs About Kalmar Parts Manual Books**

How do I know which eBook platform is the best for me? Finding the best eBook platform depends on your reading preferences and device compatibility. Research different platforms, read user reviews, and explore their features before making a choice. Are free eBooks of good quality? Yes, many reputable platforms offer high-quality free eBooks, including classics and public domain works. However, make sure to verify the source to ensure the eBook credibility. Can I read eBooks without an eReader? Absolutely! Most eBook platforms offer webbased readers or mobile apps that allow you to read eBooks on your computer, tablet, or smartphone. How do I avoid digital eye strain while reading eBooks? To prevent digital eye strain, take regular breaks, adjust the font size and background color, and ensure proper lighting while reading eBooks. What the advantage of interactive eBooks? Interactive eBooks incorporate multimedia elements, quizzes, and activities, enhancing the reader engagement and providing a more immersive learning experience. Kalmar Parts Manual is one of the best book in our library for free trial. We provide copy of Kalmar Parts Manual in digital format, so the resources that you find are reliable. There are also many Ebooks of related with Kalmar Parts Manual. Where to download Kalmar Parts Manual online for free? Are you looking for Kalmar Parts Manual PDF? This is definitely going to save you time and cash in something you should think about. If you trying to find then search around for online. Without a doubt there are numerous these available and many of them have the freedom. However without doubt you receive whatever you purchase. An alternate

way to get ideas is always to check another Kalmar Parts Manual. This method for see exactly what may be included and adopt these ideas to your book. This site will almost certainly help you save time and effort, money and stress. If you are looking for free books then you really should consider finding to assist you try this. Several of Kalmar Parts Manual are for sale to free while some are payable. If you arent sure if the books you would like to download works with for usage along with your computer, it is possible to download free trials. The free guides make it easy for someone to free access online library for download books to your device. You can get free download on free trial for lots of books categories. Our library is the biggest of these that have literally hundreds of thousands of different products categories represented. You will also see that there are specific sites catered to different product types or categories, brands or niches related with Kalmar Parts Manual. So depending on what exactly you are searching, you will be able to choose e books to suit your own need. Need to access completely for Campbell Biology Seventh Edition book? Access Ebook without any digging. And by having access to our ebook online or by storing it on your computer, you have convenient answers with Kalmar Parts Manual To get started finding Kalmar Parts Manual, you are right to find our website which has a comprehensive collection of books online. Our library is the biggest of these that have literally hundreds of thousands of different products represented. You will also see that there are specific sites catered to different categories or niches related with Kalmar Parts Manual So depending on what exactly you are searching, you will be able to choose ebook to suit your own need. Thank you for reading Kalmar Parts Manual. Maybe you have knowledge that, people have search numerous times for their favorite readings like this Kalmar Parts Manual, but end up in harmful downloads. Rather than reading a good book with a cup of coffee in the afternoon, instead they juggled with some harmful bugs inside their laptop. Kalmar Parts Manual is available in our book collection an online access to it is set as public so you can download it instantly. Our digital library spans in multiple locations, allowing you to get the most less latency time to download any of our books like this one. Merely said, Kalmar Parts Manual is universally compatible with any devices to read.

### **Find Kalmar Parts Manual :**

[m14 technical manual](#)

[mac os manual](#)

**m13 4 physi sp2 mark**

*macbeth teachers guide*

[macbook air hard drive space check](#)

*m14 1 ayeng sp1 tz1 mm*

**mac os manual book**



m13 4 chemi spm eng tzms

m5 mathl hp3 eng tz0 se

ma1 management information sample exam and answers

**mac update ers guide**

**macbook pro eject cd paperclip**

**m1710 service manual**

macally ip n1112 speakers owners manual

m2-january 2013 mark scheme

### **Kalmar Parts Manual :**

*a twisted tale collection a boxed set by liz braswell books a million* - May 01 2022

web a paperback boxed set that collects the first three books in the wildly popular a twisted tale series for the first time discover your favorite worlds and stories with game changing twists that will have you feverishly turning pages to follow your heroes and heroines into all new adventures

a twisted tale series 7 book set amazon com - Jun 02 2022

web jan 1 2020 this hardcover set of twisted tales collects seven of your favorite disney classics boldly re imagined includes the following titles mirror mirror conceal don t feel part of your world reflection straight on till morning as old as time and so this is love language english

**a twisted tale collection a boxed set bookshop** - Aug 04 2022

web a paperback boxed set that collects the first three books in the wildly popular a twisted tale series for the first time a whole new world once upon a dream as old as time discover your favorite worlds and stories with game changing twists that will have you feverishly turning pages to follow your heroes and heroines into all new adventures

a twisted tale collection a boxed set shopdisney - May 13 2023

web this paperback boxed set collects the first three books in the wildly popular a twisted tale series for the first time a whole new world once upon a dream and as old as time reintroduces fans to their favorite worlds and stories

**amazon com customer reviews a twisted tale collection a boxed set** - Sep 05 2022

web dec 28 2022 a twisted tale collection a boxed set twisted tale a customer reviews customer reviews 4 8 out of 5 3 764 global ratings how customer reviews and ratings work top positive review all positive reviews anae my grand daughter love it

**a twisted tale collection a boxed set** □□□□□□□□ □□□□□□ - Feb 27 2022

web sep 4 2018 a paperback boxed set that collects the first three books in the wildly popular a twisted tale series for the

first time a whole new world once upon a dream and as old as time will reintroduce fans to their favorite worlds and stories with game changing twists that have readers feverishly turning pages to follow their heroes and heroines

[a twisted tale collection by liz braswell disney books](#) - Dec 08 2022

web print a paperback boxed set that collects the first three books in the wildly popular a twisted tale series for the first time a whole new world once upon a dream and as old as time will reintroduce fans to their favorite worlds and stories with game changing twists that have readers feverishly turning pages to follow their heroes and

**a twisted tale collection a boxed set goodreads** - Jun 14 2023

web sep 4 2018 a paperback boxed set that collects the first three books in the wildly popular a twisted tale series for the first time discover your favorite worlds and stories with game changing twists that will have you feverishly turning pages to follow your heroes and heroines into all new adventures

[a twisted tale collection a boxed set amazon in](#) - Jul 03 2022

web a twisted tale collection a boxed set paperback 4 september 2018 by liz braswell author 4 8 3 725 ratings see all formats and editions paperback 2 499 20 2 used from 4 466 00 7 new from 2 499 20 emi starts at 121 no cost emi available emi options save extra with 3 offers

**a twisted tale collection a boxed set amazon ca** - Nov 07 2022

web in stock quantity add to cart buy now secure transaction ships from and sold by amazon ca add gift options have one to sell sell on amazon see this image follow the author liz braswell a twisted tale collection a boxed set paperback sept 4 2018 by liz braswell author 3 719 ratings collects books from twisted tale a

**a twisted tale collection a boxed set amazon pl** - Dec 28 2021

web a paperback boxed set that collects the first three books in the wildly popular a twisted tale series for the first time a whole new world once upon a dream as old as time discover your favorite worlds and stories with game changing twists that will have you feverishly turning pages to follow your heroes and heroines into all new adventures

**a twisted tale collection a boxed set amazon com** - Aug 16 2023

web sep 4 2018 paperback 15 39 29 used from 8 41 24 new from 15 39 a paperback boxed set that collects the first three books in the wildly popular a twisted tale series for the first time a whole new world once upon a dream

**a twisted tale collection a boxed set softcover abebooks** - Oct 06 2022

web abebooks com a twisted tale collection a boxed set 9781368022101 by braswell liz and a great selection of similar new used and collectible books available now at great prices

**buy a twisted tale collection a boxed set twisted tale a** - Mar 11 2023

web nov 9 2021 shop for a twisted tale collection a boxed set twisted tale a paperback box set september 4 2018 online at

an affordable price in ubuy turkey get special offers deals discounts fast delivery options on international shipping with every purchase on ubuy 1368022103

*a twisted tale collection a boxed set amazon ae* - Jan 09 2023

web a twisted tale collection a boxed set by braswell liz amazon ae books children s books literature fiction yes i want free delivery enjoy free fast delivery with amazon prime buy new aed 125 00 all prices include vat free returns free delivery tomorrow 5 september order within 6 hrs 53 mins select delivery location

**a twisted tale collection a boxed set amazon fr** - Mar 31 2022

web a paperback boxed set that collects the first three books in the wildly popular a twisted tale series for the first time a whole new world once upon a dream as old as time discover your favorite worlds and stories with game changing twists that will have you feverishly turning pages to follow your heroes and heroines into all new adventures

**twisted tale collection a boxed set amazon com au** - Jan 29 2022

web about the author after the sort of introverted childhood you would expect from a writer liz earned a degree in egyptology at brown university and then promptly spent the next ten years producing video games

**a twisted tale collection a boxed set barnes noble** - Apr 12 2023

web sep 4 2018 a paperback boxed set that collects the first three books in the wildly popular a twisted tale series for the first time a whole new world once upon a dream as old as time discover your favorite worlds and stories with game changing twists that will have you feverishly turning pages to follow your heroes and heroines into all new adventures

**a twisted tale collection a boxed set amazon co uk** - Feb 10 2023

web a paperback boxed set that collects the first three books in the wildly popular a twisted tale series for the first time a whole new world once upon a dream as old as time discover your favorite worlds and stories with game changing twists that will have you feverishly turning pages to follow your heroes and heroines into all new adventures

**a twisted tale collection a boxed set amazon com tr** - Jul 15 2023

web a twisted tale collection a boxed set braswell liz amazon com tr kitap Çerez tercihlerinizi seçin Çerez bildirimimizde ayrıntılı şekilde açıklandığı üzere alışveriş yapmanızı sağlamak alışveriş deneyiminizi iyileştirmek ve hizmetlerimizi sunmak için gerekli olan çerezleri ve benzer araçları kullanırız

**the lady of the lake the witcher 7 amazon com** - Jun 14 2023

web mar 14 2017 the lady of the lake the witcher 7 andrzej sapkowski on amazon com free shipping on qualifying offers the lady of the lake the witcher 7

**category the lady of the lake characters witcher wiki** - Mar 31 2022

web the lady of the lake season of storms other games gwent the witcher card game gwent rogue mage thronebreaker the

witcher tales the witcher adventure game the witcher role playing game wiedźmin gra wyobraźni wiedźmin przygodowa gra karciana defunct the witcher battle arena

the lady of the lake the witcher 7 paperback penguin - Dec 08 2022

web trapped in a world ruled by the elves separated from geralt and her destiny ciri will need all her training as a fighter and sorceress to survive in the fifth novel of the witcher andrzej sapkowski s groundbreaking epic fantasy series that inspired the hit netflix show and the blockbuster video games after walking through the portal in the tower of swallows and

the lady of the lake the witcher 7 welcome to heartleaf - May 01 2022

web nov 15 2022 time does not seem to exist and there are no obvious borders or portals to cross back into her home world she is trapped but this is the child of prophecy and she will not be defeated she knows she must escape to finally rejoin the witcher and his companions and also to conquer her worst nightmare

*the lady of the lake sapkowski novel wikipedia* - Jan 09 2023

web the lady of the lake polish original title pani jeziora is the fifth and final novel in the witcher saga written by polish fantasy writer andrzej sapkowski first published in poland in 1999 it is a sequel to the fourth witcher novel the tower of swallows

the lady of the lake witcher wiki fandom - Sep 17 2023

web the lady of the lake polish pani jeziora written by andrzej sapkowski and first published in poland in 1999 is the seventh book in the witcher series and the fifth novel in the saga it continues the story from the tower of the swallow the u s edition was released by orbit on 14 march

**amazon com customer reviews the lady of the lake the witcher book 7** - Aug 04 2022

web find helpful customer reviews and review ratings for the lady of the lake the witcher book 7 the witcher saga novels book 5 at amazon com read honest and unbiased product reviews from our users

**the lady of the lake the witcher 7 amazon com tr** - Aug 16 2023

web the lady of the lake is considerably larger than the other witcher books even the tower of the swallow which was substantially longer than the others but whereas the tower of the swallow squandered its greater length in convoluted almost retelling of events from differing perspectives the lady of the lake makes

**the lady of the lake the official witcher wiki** - Oct 06 2022

web mar 14 2017 the lady of the lake polish pani jeziora written by andrzej sapkowski first published in poland in 1998 is the seventh book in the witcher series and the fifth novel in the witcher saga brief synopsis

**the lady of the lake the witcher 7 softcover abebooks** - Feb 10 2023

web andrzej sapkowski winner of the world fantasy lifetime achievement award started an international phenomenon with his

witcher series witcher novelsblood of elvesthe time of contemptbaptism of firethe tower of swallowslady of the lakeseason of storms witcher collectionsthe last wishsword of destiny

**the lady of the lake witcher amazon com tr** - Feb 27 2022

web the lady of the lake witcher sapkowski andrzej amazon com tr kitap Çerez tercihlerinizi seçin Çerez bildirimimizde ayrıntılı şekilde açıklandığı üzere alışveriş yapmanızı sağlamak alışveriş deneyiminizi iyileştirmek ve hizmetlerimizi sunmak için gerekli olan çerezleri ve benzer araçları kullanırız

the lady of the lake the witcher 7 by andrzej sapkowski - Mar 11 2023

web mar 14 2017 the witcher returns in this action packed sequel to the tower of swallows in the new york times bestselling series that inspired the witcher video games after walking through the portal in the tower of swallows while narrowly escaping death ciri finds herself in a completely different world an elven world

**the lady of the lake the witcher 7 reading length** - Jan 29 2022

web isbn 13 9780316273831 description the witcher returns in this action packed sequel to the tower of swallows in the new york times bestselling series that inspired the witcher video games after walking through the portal in the tower of swallows while narrowly escaping death ciri finds herself in a completely different world an elven world

the lady of the lake the witcher saga 7 goodreads - Jul 15 2023

web the lady of the lake is the final book and it brings the whole saga to an end with ciri finding herself in another world having gone through the tower of swallows and trying to get back to find geralt and somehow end the war that has been ravaging her home

the lady of the lake the witcher 7 hardcover amazon com - May 13 2023

web nov 15 2022 the lady of the lake the witcher 7 hardcover november 15 2022 the lady of the lake the witcher 7 hardcover november 15 2022 trapped in a world ruled by the elves separated from geralt and her destiny ciri will need all her training as a fighter and sorceress to survive in the fifth novel of the witcher andrzej

*the lady of the lake the witcher 7 andrzej sapkowski* - Nov 07 2022

web the lady of the lake the witcher 7 orbit july 2022 trade paperback item 336109 isbn 0316453064 a new copy trapped in a world ruled by the elves separated from geralt and her destiny ciri will need all her training as a fighter and sorceress to survive in the fifth novel of the witcher andrzej sapkowski s groundbreaking epic fantasy series

the lady of the lake the witcher 7 welcome to heartleaf - Jul 03 2022

web mar 14 2017 the lady of the lake the witcher 7 andrzej sapkowski david french translated by 17 99 publication date march 14th 2017 publisher orbit isbn 9780316273831 pages 560 quantity add to wishlist available formats description

**the lady of the lake the witcher 7 by andrzej sapkowski** - Apr 12 2023

web mar 14 2017 the witcher returns in this action packed sequel to the tower of swallows in the new york times bestselling series that inspired the witcher video games after walking through the portal in the tower of swallows while narrowly escaping death ciri finds herself in a completely different world an elven world

**the lady of the lake the witcher book 7 english edition** - Jun 02 2022

web david french the lady of the lake the witcher book 7 english edition ebook kindle edição inglês por andrzej sapkowski autor david french tradutor formato ebook kindle 4 6 14 400 avaliações de clientes parte de the witcher saga 8 livros ver todos os formatos e edições

**the lady of the lake the witcher book 7 the witcher saga novels book** - Sep 05 2022

web mar 14 2017 david french andrzej sapkowski the lady of the lake the witcher book 7 the witcher saga novels book 5 kindle edition by andrzej sapkowski author david french translator format kindle edition 4 6 14 188 ratings part of the witcher saga 8 books see all formats and editions kindle edition 15 99 read with our free app

**motherhood is a b tch 10 steps to regaining your sanity** - Jul 01 2022

web abebooks com motherhood is a b tch 10 steps to regaining your sanity sexiness and inner diva 9781510718975 by stern lyss and a great selection of similar new

**buy motherhood is a b tch 10 steps to regaining your sanity** - Apr 29 2022

web buy motherhood is a b tch 10 steps to regaining your sanity sexiness and inner diva hardcover book by lyss stern from as low as 4 58 free shipping on all orders

**motherhood is a b tch 10 steps to regaining your sanity** - Dec 26 2021

web apr 18 2017 motherhood is a b tch 10 steps to regaining your sanity sexiness and inner diva kindle edition by stern lyss kargman jill download it once and read it on

motherhood is a b tch 10 steps to regaining your sanity - Jan 07 2023

web jun 18 2023 motherhood is a b tch 10 steps to regaining your sanity sexiness and inner diva by lyss stern sheryl berk but end up in detrimental downloads you could

**motherhood is a b tch 10 steps to regaining your sanity** - Jun 12 2023

web motherhood is a b tch tackles the toughest issues facing moms today and empowers you to regain your once fierce and fab self in the end you ll be happier healthier and hotter

motherhood is a b tch 10 steps to regaining your sanity - Aug 02 2022

web motherhood is a b tch 10 steps to regaining your sanity sexiness and inner diva stern lyss berk sheryl kargman jill amazon com au books

**motherhood is a b tch 10 steps to regaining your sanity** - Oct 24 2021

web motherhood is a b tch tackles the toughest issues facing moms today and empowers you to regain your once fierce and fab self in the end you ll be happier healthier and hotter

[motherhood definition of motherhood by the free dictionary](#) - Feb 25 2022

web define motherhood motherhood synonyms motherhood pronunciation motherhood translation english dictionary

definition of motherhood n 1 the state of being a

**motherhood how to articles from wikihow** - Jan 27 2022

web motherhood learn everything you want about motherhood with the wikihow motherhood category learn about topics

such as how to be a good mother how to keep air out of

*motherhood psychology today* - Sep 03 2022

web may 9 2012 you relive your childhood through your son s eyes and sense the world through your daughters experience

you have an impact on the future and all while

**motherhood is a b tch 10 steps to regaining your sanity** - Aug 14 2023

web apr 18 2017 motherhood is a b tch tackles the toughest issues facing moms today and empowers you to regain your once fierce and fab self in the end you ll be happier healthier and hotter than ever motherhood is a b tch is the modern mom s bible for

*motherhood is a b tch 10 steps to regaining your download* - Dec 06 2022

web motherhood is a b tch 10 steps to regaining your 1 motherhood is a b tch 10 steps to regaining your smells like tween

spirit down by the bay my beautiful ceo

[buy motherhood is a b tch 10 steps to regaining your sanity](#) - Nov 24 2021

web amazon in buy motherhood is a b tch 10 steps to regaining your sanity sexiness and inner diva book online at best prices

in india on amazon in read motherhood is a

*motherhood is a b tch 10 steps to regaining your kaje* - Feb 08 2023

web we pay for motherhood is a b tch 10 steps to regaining your and numerous ebook collections from fictions to scientific

research in any way along with them is this

**motherhood is a b tch 10 steps to regaining your sanity** - Nov 05 2022

web apr 18 2017 motherhood is a b tch 10 steps to regaining your sanity sexiness and inner diva ebook stern lyss kargman

jill berk sheryl amazon co uk books

**motherhood is a b tch 10 steps to regaining your sanity** - May 31 2022

web buy motherhood is a b tch 10 steps to regaining your sanity sexiness and inner diva by lyss stern sheryl berk jill kargman

foreword by online at alibris we have

---

[motherhood definition meaning dictionary com](#) - Mar 29 2022

web motherhood definition the state of being a mother maternity see more

[motherhood is a bitch 10 steps to regaining your sanity](#) - Apr 10 2023

web motherhood is a bitch 10 steps to regaining your sanity sexiness and inner diva ebook written by lyss stern read this book using google play books app on your pc

**motherhood is a bitch 10 steps to regaining your sanity** - Oct 04 2022

web motherhood is a bitch 10 steps to regaining your sanity sexiness and inner diva ebook stern lyss kargman jill amazon in kindle store

**motherhood is a bitch 10 steps to regaining your sanity** - May 11 2023

web apr 18 2017 step 1 embrace the bitch 1 step 2 get your shit together 15 step 3 from flab to fab 27 step 4 bring sexy back 47 step 5 extreme makeover bitchy mama

**motherhood is a bitch 10 steps to regaining your sanity** - Jul 13 2023

web apr 18 2017 buy motherhood is a bitch 10 steps to regaining your sanity sexiness and inner diva by stern lyss kargman jill berk sheryl isbn 9781510718975 from

[motherhood is a bitch 10 steps to regaining your sanity](#) - Mar 09 2023

web apr 18 2017 motherhood is a bitch is the modern mom s bible for dealing with the day to day chaos with style and grace it s written for the stressed out working mom and the