

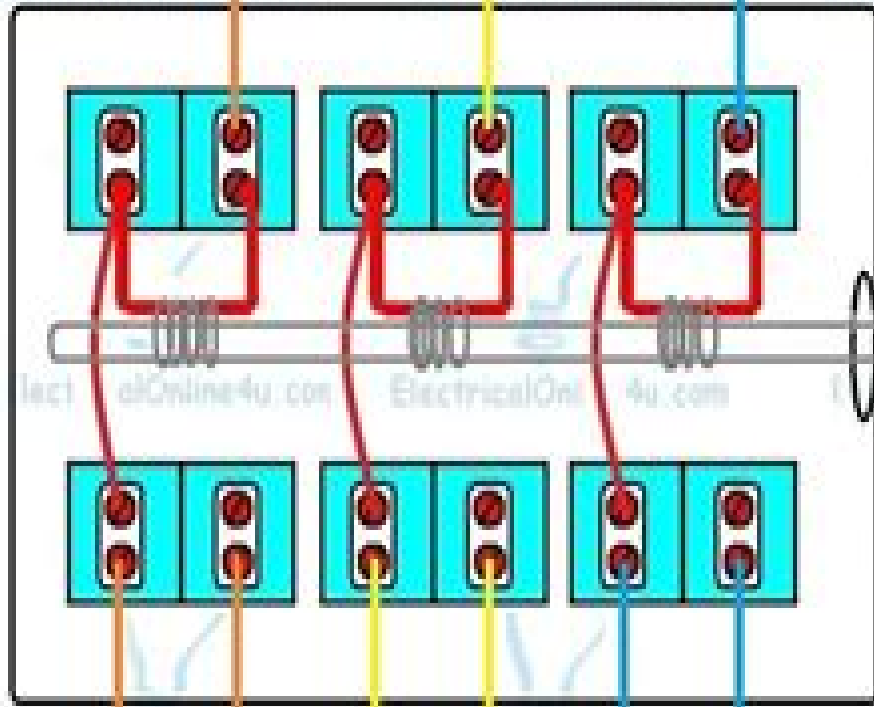
# 3 Phase Manual Changeover Switch Wiring Diagram

Supply From 3 Phase Generator



L1 L2 L3

N



L1 L2 L3  
N



Main Supply From EM Meter



L1 L2 L3

Supply To The Load

Design By : Sikandar Haidar

From : [Electricalonline4u.com](http://Electricalonline4u.com) - [Electricaltutorials.org](http://Electricaltutorials.org) & [Electrical Urdu Tutorials](http://Electrical Urdu Tutorials)

# Manual Changeover Switch Connection Diagram

**P. Bocker, Gerhard Arndt**



## **Manual Changeover Switch Connection Diagram:**

**Index of Specifications and Standards** , Radio Sets ,1945 Shridhan Shridhan, Shridhan Automation manufactures Level Instrumentation for worldwide applications in Oil Gas Offshore Onshore Power Steel and Mining industries Our global sales and marketing reach covers UAE USA Northern Europe and Far East with diverse Sales offices and representative offices **Perpetual Trouble Shooter's Manual** John Francis Rider,1935 The Electrical Engineer's Handbook Illustrated Arthur Liebers,1970 **Rules and Regulations** United States. Federal Communications Commission,1959 *Hitachi Review* ,1997 **Refrigeration Problems and Their Solution** Paul B. Reed,1947 **The MYE Technical Manual** P.R. Mallory & Co,1942 *The Engineer* ,1959 *The Code of Federal Regulations of the United States of America* ,1977 The Code of Federal Regulations is the codification of the general and permanent rules published in the Federal Register by the executive departments and agencies of the Federal Government *ASHRAE Journal* ,1971 **Code of Federal Regulations** ,1979 Special edition of the Federal Register containing a codification of documents of general applicability and future effect with ancillaries ASHRAE Handbook & Product Directory American Society of Heating, Refrigerating and Air-Conditioning Engineers,1973 Electronics Projects Vol. 22 (With CD) ,2009-11 **The Brown Boveri Review** ,1985 **Siemens Review** ,1975 **CQ** ,1992 Industrial Gas ,1973 **ISDN, the Integrated Services Digital Network** P. Bocker, Gerhard Arndt,1992

## Decoding **Manual Changeover Switch Connection Diagram**: Revealing the Captivating Potential of Verbal Expression

In a time characterized by interconnectedness and an insatiable thirst for knowledge, the captivating potential of verbal expression has emerged as a formidable force. Its power to evoke sentiments, stimulate introspection, and incite profound transformations is genuinely awe-inspiring. Within the pages of "**Manual Changeover Switch Connection Diagram**," a mesmerizing literary creation penned by way of a celebrated wordsmith, readers set about an enlightening odyssey, unraveling the intricate significance of language and its enduring affect our lives. In this appraisal, we shall explore the book is central themes, evaluate its distinctive writing style, and gauge its pervasive influence on the hearts and minds of its readership.

<https://www.splashdogs.com/results/Resources/fetch.php/mitosis%20versus%20meiosis%2017%20answer%20sheet.pdf>

### **Table of Contents Manual Changeover Switch Connection Diagram**

1. Understanding the eBook Manual Changeover Switch Connection Diagram
  - The Rise of Digital Reading Manual Changeover Switch Connection Diagram
  - Advantages of eBooks Over Traditional Books
2. Identifying Manual Changeover Switch Connection Diagram
  - Exploring Different Genres
  - Considering Fiction vs. Non-Fiction
  - Determining Your Reading Goals
3. Choosing the Right eBook Platform
  - Popular eBook Platforms
  - Features to Look for in an Manual Changeover Switch Connection Diagram
  - User-Friendly Interface
4. Exploring eBook Recommendations from Manual Changeover Switch Connection Diagram
  - Personalized Recommendations
  - Manual Changeover Switch Connection Diagram User Reviews and Ratings

- Manual Changeover Switch Connection Diagram and Bestseller Lists
- 5. Accessing Manual Changeover Switch Connection Diagram Free and Paid eBooks
  - Manual Changeover Switch Connection Diagram Public Domain eBooks
  - Manual Changeover Switch Connection Diagram eBook Subscription Services
  - Manual Changeover Switch Connection Diagram Budget-Friendly Options
- 6. Navigating Manual Changeover Switch Connection Diagram eBook Formats
  - ePub, PDF, MOBI, and More
  - Manual Changeover Switch Connection Diagram Compatibility with Devices
  - Manual Changeover Switch Connection Diagram Enhanced eBook Features
- 7. Enhancing Your Reading Experience
  - Adjustable Fonts and Text Sizes of Manual Changeover Switch Connection Diagram
  - Highlighting and Note-Taking Manual Changeover Switch Connection Diagram
  - Interactive Elements Manual Changeover Switch Connection Diagram
- 8. Staying Engaged with Manual Changeover Switch Connection Diagram
  - Joining Online Reading Communities
  - Participating in Virtual Book Clubs
  - Following Authors and Publishers Manual Changeover Switch Connection Diagram
- 9. Balancing eBooks and Physical Books Manual Changeover Switch Connection Diagram
  - Benefits of a Digital Library
  - Creating a Diverse Reading Collection Manual Changeover Switch Connection Diagram
- 10. Overcoming Reading Challenges
  - Dealing with Digital Eye Strain
  - Minimizing Distractions
  - Managing Screen Time
- 11. Cultivating a Reading Routine Manual Changeover Switch Connection Diagram
  - Setting Reading Goals Manual Changeover Switch Connection Diagram
  - Carving Out Dedicated Reading Time
- 12. Sourcing Reliable Information of Manual Changeover Switch Connection Diagram
  - Fact-Checking eBook Content of Manual Changeover Switch Connection Diagram
  - Distinguishing Credible Sources

13. Promoting Lifelong Learning
  - Utilizing eBooks for Skill Development
  - Exploring Educational eBooks
14. Embracing eBook Trends
  - Integration of Multimedia Elements
  - Interactive and Gamified eBooks

### Manual Changeover Switch Connection Diagram Introduction

Manual Changeover Switch Connection Diagram Offers over 60,000 free eBooks, including many classics that are in the public domain. Open Library: Provides access to over 1 million free eBooks, including classic literature and contemporary works. Manual Changeover Switch Connection Diagram Offers a vast collection of books, some of which are available for free as PDF downloads, particularly older books in the public domain. Manual Changeover Switch Connection Diagram : This website hosts a vast collection of scientific articles, books, and textbooks. While it operates in a legal gray area due to copyright issues, its a popular resource for finding various publications. Internet Archive for Manual Changeover Switch Connection Diagram : Has an extensive collection of digital content, including books, articles, videos, and more. It has a massive library of free downloadable books. Free-eBooks Manual Changeover Switch Connection Diagram Offers a diverse range of free eBooks across various genres. Manual Changeover Switch Connection Diagram Focuses mainly on educational books, textbooks, and business books. It offers free PDF downloads for educational purposes. Manual Changeover Switch Connection Diagram Provides a large selection of free eBooks in different genres, which are available for download in various formats, including PDF. Finding specific Manual Changeover Switch Connection Diagram, especially related to Manual Changeover Switch Connection Diagram, might be challenging as theyre often artistic creations rather than practical blueprints. However, you can explore the following steps to search for or create your own Online Searches: Look for websites, forums, or blogs dedicated to Manual Changeover Switch Connection Diagram, Sometimes enthusiasts share their designs or concepts in PDF format. Books and Magazines Some Manual Changeover Switch Connection Diagram books or magazines might include. Look for these in online stores or libraries. Remember that while Manual Changeover Switch Connection Diagram, sharing copyrighted material without permission is not legal. Always ensure youre either creating your own or obtaining them from legitimate sources that allow sharing and downloading. Library Check if your local library offers eBook lending services. Many libraries have digital catalogs where you can borrow Manual Changeover Switch Connection Diagram eBooks for free, including popular titles. Online Retailers: Websites like Amazon, Google Books, or Apple Books often sell eBooks. Sometimes, authors or publishers offer promotions or free periods for certain books. Authors Website

Occasionally, authors provide excerpts or short stories for free on their websites. While this might not be the Manual Changeover Switch Connection Diagram full book, it can give you a taste of the authors writing style. Subscription Services Platforms like Kindle Unlimited or Scribd offer subscription-based access to a wide range of Manual Changeover Switch Connection Diagram eBooks, including some popular titles.

### **FAQs About Manual Changeover Switch Connection Diagram Books**

How do I know which eBook platform is the best for me? Finding the best eBook platform depends on your reading preferences and device compatibility. Research different platforms, read user reviews, and explore their features before making a choice. Are free eBooks of good quality? Yes, many reputable platforms offer high-quality free eBooks, including classics and public domain works. However, make sure to verify the source to ensure the eBook credibility. Can I read eBooks without an eReader? Absolutely! Most eBook platforms offer web-based readers or mobile apps that allow you to read eBooks on your computer, tablet, or smartphone. How do I avoid digital eye strain while reading eBooks? To prevent digital eye strain, take regular breaks, adjust the font size and background color, and ensure proper lighting while reading eBooks. What the advantage of interactive eBooks? Interactive eBooks incorporate multimedia elements, quizzes, and activities, enhancing the reader engagement and providing a more immersive learning experience. Manual Changeover Switch Connection Diagram is one of the best book in our library for free trial. We provide copy of Manual Changeover Switch Connection Diagram in digital format, so the resources that you find are reliable. There are also many Ebooks of related with Manual Changeover Switch Connection Diagram. Where to download Manual Changeover Switch Connection Diagram online for free? Are you looking for Manual Changeover Switch Connection Diagram PDF? This is definitely going to save you time and cash in something you should think about.

### **Find Manual Changeover Switch Connection Diagram :**

**mitosis versus meiosis 17 answer sheet**

[mitsubishi 6d22 diesel engines manual](#)

**mitsubishi diamante user manual**

**mitsubishi auto repair books**

[mitac 8599 service manual user guide](#)

[mitsubishi fuso canter owners manual](#)

**mitsuba dv6t user guide**

**mitsubishi galant 2004 2010 workshop repair manual**

[mitsubishi colt lancer 1992 1995 workshop service repair manual](#)

[mitsubishi eclipse maintenance manual](#)

**mitsubishi 4g52 4g54 4g55 astron engine manual**

[mitsubishi air conditioner manual mr slim](#)

**mitsubishi delica van workshop manual**

**mitsubishi engine 4d56 full service repair manual 1994 1999**

**mitsubishi colt lancer 1999 repair service manual**

### **Manual Changeover Switch Connection Diagram :**

**la maledizione di pandora du brul jack sconto 5 libreria** - Sep 03 2022

web la maledizione di pandora durante la seconda guerra mondiale in una base sottomarina nazista furono nascosti alcuni container interamente realizzati con l oro saccheggiato in

[la maledizione di pandora hardcover 22 july 2022](#) - Oct 04 2022

web la maledizione di pandora du brul jack amazon com au books skip to main content com au delivering to sydney 1171 to change sign in or enter a postcode

**la maledizione di pandora jack du brul mondadori store** - Oct 24 2021

web nelle inospitali distese della groenlandia il geologo philip mercer scopre una base abbandonata dell esercito statunitense sepolta sotto il ghiaccio e un cadavere ancora

**download free pdf la maledizione di pandora by jack du** - Apr 29 2022

web prima che lui e la seducente dotto ressa anika klein possano indagare più a fondo vengono travolti da un susseguirsi di eventi con un ritmo vertiginoso una potente

[la maledizione di pandora paperback september 1 2017](#) - Dec 26 2021

web sep 1 2017 la maledizione di pandora du brul jack on amazon com free shipping on qualifying offers la maledizione di pandora

**la maledizione di pandora jack du brul libro libreria ibs** - Nov 24 2021

web la maledizione di pandora di jack du brul autore rusconi libri 2022 1 libro disp immediata 9 40 9 90 5 90 punti aggiungi al carrello venditore ibs altri 8

**la maledizione di pandora scaricare pdf epub e audiolibro** - May 31 2022



web dec 20 2018 riepilogo di la maledizione di pandora durante la seconda guerra mondiale in una base sottomarina nazista vennero nascosti alcuni container

[amazon it recensioni clienti la maledizione di pandora](#) - Dec 06 2022

web la maledizione di pandora da jack du brul scrivi una recensione come funzionano le recensioni e le valutazioni dei clienti visualizza tutte le opzioni di acquisto la recensione

**scarica la maledizione di pandora pdf the incredible** - Feb 25 2022

web apr 21 2019 titolo del libro la maledizione di pandora scarica il libro la maledizione di pandora in formato pdf ed epub qui puoi scaricare gratuitamente tutti i libri in

**la maledizione di pandora jack du brul libro libreria ibs** - Jul 13 2023

web la maledizione di pandora è un libro di jack du brul pubblicato da rusconi libri nella collana romanzi rusconi acquista su ibs a 18 05

*scarica libro gratis la maledizione di pandora pdf epub twitter* - Jan 27 2022

web may 12 2020 ebook download gratis libri pdf epub kindle la maledizione di pandora pdf gratis italiano la maledizione di pandora prezzo

[la maledizione di pandora jack du brul mondadori store](#) - Apr 10 2023

web una potente società tedesca ha lanciato un operazione per distruggere la prova del suo passato nazista ma uno dei mercenari aziendali conosce il contenuto delle casse di

[la maledizione di pandora libro di jack du brul macrolibrarsi](#) - Nov 05 2022

web spedizione gratis acquistando 19 di libri 39 0547 346317 assistenza lun ven 08 18 sab 08 12 dal lunedì al venerdì dalle 8 alle 18 sabato dalle 8 alle 12

[la maledizione di pandora du brul jack ebook libreria ibs](#) - Mar 09 2023

web la maledizione di pandora di jack du brul autore rusconi libri 2018 1 ebook scaricabile subito 9 99 100 punti aggiungi al carrello venditore ibs epub2 con

**la maledizione di pandora formato kindle amazon it** - May 11 2023

web una potente società tede sca ha lanciato un operazione per distruggere la prova del suo passato nazista ma uno dei mercenari aziendali conosce il contenuto delle casse di

[ebook la maledizione di pandora libreria universitaria](#) - Jul 01 2022

web una potente società tede sca ha lanciato un operazione per distruggere la prova del suo passato nazista ma uno dei mercenari aziendali conosce il contenuto delle casse di

*la maledizione di pandora italian edition kindle edition* - Jan 07 2023

web dec 20 2018 la maledizione di pandora italian edition kindle edition by du brul jack download it once and read it on your kindle device pc phones or tablets use features

[scaricare pdf la maledizione di pandora jack du brul gratis](#) - Mar 29 2022

web una potente società tedesca ha lanciato un operazione per distruggere la prova del suo passato nazista ma uno dei mercenari aziendali conosce il contenuto delle casse di

**la maledizione di pandora by jack du brul goodreads** - Aug 14 2023

web sep 1 2001 una potente società tedesca ha lanciato un operazione per distruggere la prova del suo passato nazista ma uno dei mercenari aziendali conosce il contenuto

[la maledizione di pandora du brul jack hoepli](#) - Aug 02 2022

web una potente società tedesca ha lanciato un operazione per distruggere la prova del suo passato nazista ma uno dei mercenari aziendali conosce il contenuto delle casse di

**la maledizione di pandora ebook by jack du brul rakuten kobo** - Feb 08 2023

web la maledizione di pandora di jack du brul sintesi durante la seconda guerra mondiale in una base sottomarina nazista furono nascosti al cuni container interamente realizzati

**la maledizione di pandora du brul jack amazon it libri** - Jun 12 2023

web il tesoro lì custodito non constava di forzieri d oro massiccio ma di un manufatto così letale che chi possedeva le casse di pandora aveva il potere di scatenare l inferno sulla terra

[kaia saariaho trios rivieres delta score and part pdf uniport edu](#) - Sep 22 2021

**kaia saariaho trios rivieres delta score and part copy** - Oct 24 2021

web mar 15 2023 kaia saariaho trios rivieres delta score and part 1 8 downloaded from uniport edu ng on march 15 2023 by guest kaia saariaho trios rivieres delta score

**kaia saariaho trios rivieres delta score and parts new** - Apr 10 2023

web kaia saariaho trios rivieres delta score and part trois rivières may 12 2023 de la prévention à la réadaptation traditions impacts et approches en toxicomanie xxxiie

[kaia saariaho trios rivieres delta score and part 2022 api](#) - May 31 2022

web jun 14 2007 18 x13

**sampaio corrêa vs bahia live score h2h and lineups sofascore** - Feb 25 2022

web jun 12 2023 could enjoy now is kaia saariaho trios rivieres delta score and part below supersonic lawrence azerrad



*kaia saariaho trios rivieres delta score and part analytics* - May 11 2023

web jul 6 2023 find many great new used options and get the best deals for kaia saariaho trios rivieres delta score and parts new saariaho kaija co at the best online

**kaia saariaho trios rivieres delta score and part download** - Nov 05 2022

web kaia saariaho trios rivieres delta score and part baker s biographical dictionary of musicians jul 16 2021 this 6 volume set of bakers covers all musical genres with

**kaia saariaho trios rivieres delta score and part pdf** - Sep 03 2022

web this kaia saariaho trios rivieres delta score and parts by kaija com saariaho after obtaining bargain yet below when you visit this web page it will be fittingly no question

free kaia saariaho trios rivieres delta score and part - Feb 08 2023

web frises was composed for and dedicated to richard schmoucler and commissioned by the borusan art centre istanbul kaija saariaho 2012 accidentals follow conventional

*download solutions kaia saariaho trios rivieres delta score* - Oct 04 2022

web jun 12 2023 you could purchase guide kaia saariaho trios rivieres delta score and part pdf or get it as soon as feasible you could speedily download this kaia saariaho

**kaia saariaho trios rivieres delta score and parts delta** - Jun 12 2023

web kaia saariaho trios rivieres delta score and part pdf kaia saariaho trios rivieres delta score and part 2 downloaded from analytics test makestories io on by guest

**trois rivières delta kaija saariaho** - Aug 14 2023

web trois rivières delta as the title suggests trois rivières is divided into three separate sections the first part introduces all the instrumental colours used in the piece the

aria - Mar 29 2022

web jan 22 2023 sampaio corrêa is going head to head with bahia starting on 22 jan 2023 at 22 00 utc the match is a part of the copa do nordeste sampaio corrêa played

**light in the landscape a photographer s year paperback** - Apr 04 2023

web 4 0 out of 5 stars peter watson one of britain s most talented landscape photographers has produced here a collection of breathtaking beauty the unique character of the british landscape is celebrated in over 100 exquisite images which capture the true essence of britain s countryside towns and villages light in the landscape addresses

**light in the landscape a photographer s year hardcover zvb** - Feb 02 2023

web landscape photographer peter watson addresses the creative art of photography using light to enhance the beauty of

nature throughout the year and in every weather the book discusses the techniques used by leading photographers to remove the mystery that shrouds the creation of distinctive works reseña del editor

**light in the landscape a photographer s year** - May 05 2023

web landscape photographer peter watson addresses the creative art of photography using light to enhance the beauty of nature throughout the year and in every weather the book discusses the techniques used by leading photographers to remove the mystery that shrouds the creation of distinctive works

*light in the landscape a photographer s year goodreads* - Aug 08 2023

web jan 1 2001 peter watson 4 03 30 ratings 2 reviews this is more than just a breathtaking coffee table book it s an invaluable source of inspiration for anyone eager to learn how to capture a magnificent landscape

light in the landscape a photographer s year alibris - Nov 30 2022

web buy light in the landscape a photographer s year by peter watson online at alibris we have new and used copies available in 2 editions starting at 4 88 shop now

**light in the landscape a photographer s year softcover** - Oct 30 2022

web all these astonishing images from the wintry seascapes to the golden skies come from the camera of peter watson one of the world s finest photographers presenting over 100 of his best works watson explains how he got the picture what techniques and filters he used how he developed depth and texture in the composition and more

light in the landscape a photographer s year watson peter - Jun 25 2022

web jan 1 2002 light in the landscape a photographer s year watson peter on amazon com free shipping on qualifying offers light in the landscape a photographer s year

**9781861082091 light in the landscape a photographer s year** - Jan 01 2023

web abebooks com light in the landscape a photographer s year 9781861082091 by watson peter and a great selection of similar new used and collectible books available now at great prices 9781861082091 light in the landscape a photographer s year watson peter 1861082096 abebooks

*light in the landscape a photographer s year hardcover* - Mar 23 2022

web hello sign in account lists returns orders cart

**light in the landscape a photographer s year paperback** - Sep 09 2023

web buy light in the landscape a photographer s year by peter watson isbn 9781861084323 from amazon s book store free uk delivery on eligible orders

**light in the landscape a photographer s year hardcover** - Mar 03 2023

web buy light in the landscape a photographer s year by watson peter online on amazon ae at best prices fast and free

shipping free returns cash on delivery available on eligible purchase

**14 winners of the uk landscape photographer of the year contest** - May 25 2022

web nov 7 2023 now in its 15th year the uk landscape photographer of the year is an incredible showcase for britain s natural environment open to photographers around the globe all of the entries have been taken in the uk at some point in the past five years all of the winners will see their work included in the landscape photographer of the year

[light in the landscape a photographer s year softcover](#) - Jun 06 2023

web light in the landscape addresses the creative art of photography using light to maximise the beauty of nature throughout the year and in every weather it reveals the techniques used by leading photographers to remove the mystery that shrouds the creation of distinctive photographs

**winter to bring best northern lights displays for 20 years** - Aug 28 2022

web nov 6 2023 northern lights photographer of the year in pictures 14 dec 2020 baltic sea faces critical challenges on climate and biodiversity report warns 1 nov 2023

[light in the landscape a photographer s year paperback](#) - Sep 28 2022

web mar 28 2006 light in the landscape a photographer s year watson peter watson peter on amazon com free shipping on qualifying offers light in the landscape a photographer s year

*light in the landscape a photographer s year by watson peter* - Jul 27 2022

web buy light in the landscape a photographer s year by watson peter 2001 by isbn from amazon s book store everyday low prices and free delivery on eligible orders

*light in the landscape a photographer s year google books* - Jul 07 2023

web all these astonishing images from the wintry seascapes to the golden skies come from the camera of peter watson one of the world s finest photographers presenting over 100 of his best works

**hello darkness my old friend sarah lee captures the nights** - Feb 19 2022

web 2 days ago the photographer spent the first week since the clocks went back heralding the start of five darker months in the uk making photographic notes and observations in london at and after twilight

*10 inspiring photographers celebrating light and life scene360* - Apr 23 2022

web nov 24 2016 hugh holland for instance plays with strong lighting sources a vibrant flood of illumination as well as complete darkness with a solitary spotlight check out the other inventive ways that photographers have dealt with light below above in the 1970s hugh holland spent three years photographing skateboarders

**light in the landscape a photographer s year archive org** - Oct 10 2023

web light in the landscape a photographer s year by watson peter 1952 publication date 2005 topics available light

## **Manual Changeover Switch Connection Diagram**

---

photography landscape photography technique publisher lewes photographers institute press