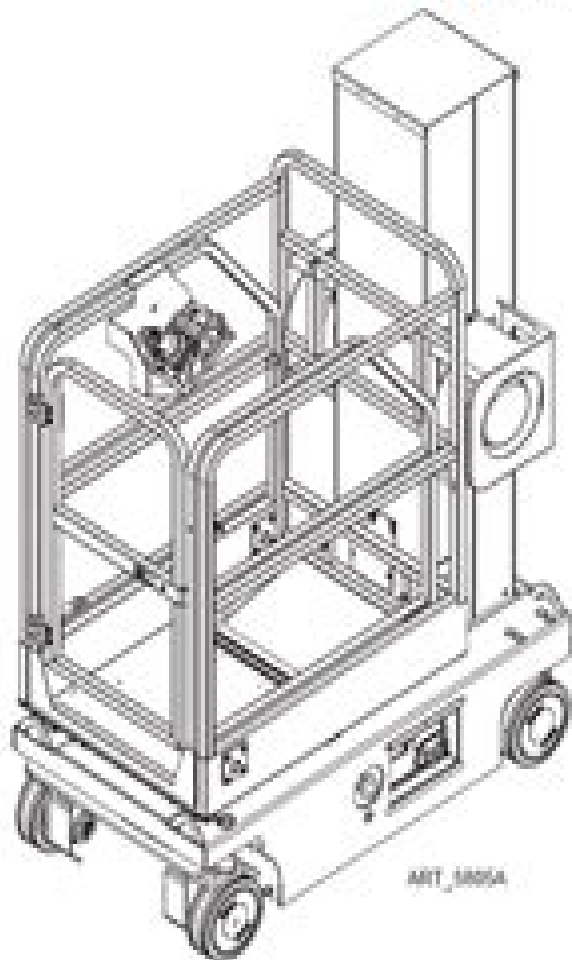




Service & Parts Manual

MMAE16



MRT_1605A

Serial Number Range
17400000 - Up

Part # 50811
May 2024

- Bookmarks
- Front Cover
- Table of Contents
- Chapter 1 - Service
 - Service Introduction
- Section 1 - MEC Operator Policy
 - MEC Operator Policy
- Section 2 - Safety Symbols & General Safety
 - Safety Symbols & General Safety Tips
- Section 3 - Specifications
 - Specifications
- Section 4 - Torque Specifications
 - Bolt Torque Specification - American Stan...
 - Bolt Torque Specification - Metric Standard
- Section 5 - Maintenance Safety
 - Maintenance Safety
- Section 6 - Electrical System and Fuel System
 - Electrical System and Fuel System
- Section 7 - Machine Components
 - Machine Components
- Section 8 - Emergency Systems and Procedures
 - Emergency Systems and Procedures
- Section 9 - Transport and Lifting Instructions
 - Transport and Lifting Instructions

Mec 6jr Owners Manual

Helming



Mec 6jr Owners Manual:

The Engaging World of Kindle Books: A Thorough Guide Revealing the Benefits of E-book Books: A World of Convenience and Versatility Kindle books, with their inherent portability and ease of access, have freed readers from the limitations of hardcopy books. Done are the days of carrying cumbersome novels or meticulously searching for specific titles in bookstores. Kindle devices, stylish and lightweight, seamlessly store an extensive library of books, allowing readers to indulge in their favorite reads anytime, everywhere. Whether traveling on a bustling train, lounging on a sun-kissed beach, or just cozying up in bed, E-book books provide an exceptional level of convenience. A Literary Universe Unfolded: Exploring the Wide Array of E-book Mec 6jr Owners Manual Mec 6jr Owners Manual The E-book Shop, a digital treasure trove of literary gems, boasts an wide collection of books spanning varied genres, catering to every readers preference and preference. From gripping fiction and mind-stimulating non-fiction to timeless classics and modern bestsellers, the E-book Shop offers an unparalleled abundance of titles to discover. Whether seeking escape through immersive tales of fantasy and adventure, diving into the depths of past narratives, or expanding ones knowledge with insightful works of science and philosophy, the Kindle Store provides a doorway to a literary universe brimming with endless possibilities. A Revolutionary Force in the Bookish Landscape: The Lasting Influence of Kindle Books Mec 6jr Owners Manual The advent of E-book books has unquestionably reshaped the literary landscape, introducing a model shift in the way books are published, distributed, and read. Traditional publication houses have embraced the digital revolution, adapting their approaches to accommodate the growing need for e-books. This has led to a rise in the availability of E-book titles, ensuring that readers have access to a vast array of literary works at their fingertips. Moreover, E-book books have equalized entry to books, breaking down geographical limits and providing readers worldwide with equal opportunities to engage with the written word. Regardless of their place or socioeconomic background, individuals can now immerse themselves in the intriguing world of books, fostering a global community of readers. Conclusion: Embracing the E-book Experience Mec 6jr Owners Manual E-book books Mec 6jr Owners Manual, with their inherent convenience, flexibility, and wide array of titles, have unquestionably transformed the way we encounter literature. They offer readers the liberty to explore the boundless realm of written expression, anytime, everywhere. As we continue to navigate the ever-evolving online scene, E-book books stand as testament to the enduring power of storytelling, ensuring that the joy of reading remains accessible to all.

<https://www.splashdogs.com/results/virtual-library/HomePages/history%20paper%202%20zimsec%20june%202014.pdf>

Table of Contents Mec 6jr Owners Manual

1. Understanding the eBook Mec 6jr Owners Manual
 - The Rise of Digital Reading Mec 6jr Owners Manual
 - Advantages of eBooks Over Traditional Books
2. Identifying Mec 6jr Owners Manual
 - Exploring Different Genres
 - Considering Fiction vs. Non-Fiction
 - Determining Your Reading Goals
3. Choosing the Right eBook Platform
 - Popular eBook Platforms
 - Features to Look for in an Mec 6jr Owners Manual
 - User-Friendly Interface
4. Exploring eBook Recommendations from Mec 6jr Owners Manual
 - Personalized Recommendations
 - Mec 6jr Owners Manual User Reviews and Ratings
 - Mec 6jr Owners Manual and Bestseller Lists
5. Accessing Mec 6jr Owners Manual Free and Paid eBooks
 - Mec 6jr Owners Manual Public Domain eBooks
 - Mec 6jr Owners Manual eBook Subscription Services
 - Mec 6jr Owners Manual Budget-Friendly Options
6. Navigating Mec 6jr Owners Manual eBook Formats
 - ePub, PDF, MOBI, and More
 - Mec 6jr Owners Manual Compatibility with Devices
 - Mec 6jr Owners Manual Enhanced eBook Features
7. Enhancing Your Reading Experience
 - Adjustable Fonts and Text Sizes of Mec 6jr Owners Manual
 - Highlighting and Note-Taking Mec 6jr Owners Manual
 - Interactive Elements Mec 6jr Owners Manual
8. Staying Engaged with Mec 6jr Owners Manual

- Joining Online Reading Communities
 - Participating in Virtual Book Clubs
 - Following Authors and Publishers Mec 6jr Owners Manual
9. Balancing eBooks and Physical Books Mec 6jr Owners Manual
- Benefits of a Digital Library
 - Creating a Diverse Reading Collection Mec 6jr Owners Manual
10. Overcoming Reading Challenges
- Dealing with Digital Eye Strain
 - Minimizing Distractions
 - Managing Screen Time
11. Cultivating a Reading Routine Mec 6jr Owners Manual
- Setting Reading Goals Mec 6jr Owners Manual
 - Carving Out Dedicated Reading Time
12. Sourcing Reliable Information of Mec 6jr Owners Manual
- Fact-Checking eBook Content of Mec 6jr Owners Manual
 - Distinguishing Credible Sources
13. Promoting Lifelong Learning
- Utilizing eBooks for Skill Development
 - Exploring Educational eBooks
14. Embracing eBook Trends
- Integration of Multimedia Elements
 - Interactive and Gamified eBooks

Mec 6jr Owners Manual Introduction

In today's digital age, the availability of Mec 6jr Owners Manual books and manuals for download has revolutionized the way we access information. Gone are the days of physically flipping through pages and carrying heavy textbooks or manuals. With just a few clicks, we can now access a wealth of knowledge from the comfort of our own homes or on the go. This article will explore the advantages of Mec 6jr Owners Manual books and manuals for download, along with some popular platforms that offer these resources. One of the significant advantages of Mec 6jr Owners Manual books and manuals for download is the cost-saving aspect. Traditional books and manuals can be costly, especially if you need to purchase several of them for

educational or professional purposes. By accessing Mec 6jr Owners Manual versions, you eliminate the need to spend money on physical copies. This not only saves you money but also reduces the environmental impact associated with book production and transportation. Furthermore, Mec 6jr Owners Manual books and manuals for download are incredibly convenient. With just a computer or smartphone and an internet connection, you can access a vast library of resources on any subject imaginable. Whether you're a student looking for textbooks, a professional seeking industry-specific manuals, or someone interested in self-improvement, these digital resources provide an efficient and accessible means of acquiring knowledge. Moreover, PDF books and manuals offer a range of benefits compared to other digital formats. PDF files are designed to retain their formatting regardless of the device used to open them. This ensures that the content appears exactly as intended by the author, with no loss of formatting or missing graphics. Additionally, PDF files can be easily annotated, bookmarked, and searched for specific terms, making them highly practical for studying or referencing. When it comes to accessing Mec 6jr Owners Manual books and manuals, several platforms offer an extensive collection of resources. One such platform is Project Gutenberg, a nonprofit organization that provides over 60,000 free eBooks. These books are primarily in the public domain, meaning they can be freely distributed and downloaded. Project Gutenberg offers a wide range of classic literature, making it an excellent resource for literature enthusiasts. Another popular platform for Mec 6jr Owners Manual books and manuals is Open Library. Open Library is an initiative of the Internet Archive, a non-profit organization dedicated to digitizing cultural artifacts and making them accessible to the public. Open Library hosts millions of books, including both public domain works and contemporary titles. It also allows users to borrow digital copies of certain books for a limited period, similar to a library lending system. Additionally, many universities and educational institutions have their own digital libraries that provide free access to PDF books and manuals. These libraries often offer academic texts, research papers, and technical manuals, making them invaluable resources for students and researchers. Some notable examples include MIT OpenCourseWare, which offers free access to course materials from the Massachusetts Institute of Technology, and the Digital Public Library of America, which provides a vast collection of digitized books and historical documents. In conclusion, Mec 6jr Owners Manual books and manuals for download have transformed the way we access information. They provide a cost-effective and convenient means of acquiring knowledge, offering the ability to access a vast library of resources at our fingertips. With platforms like Project Gutenberg, Open Library, and various digital libraries offered by educational institutions, we have access to an ever-expanding collection of books and manuals. Whether for educational, professional, or personal purposes, these digital resources serve as valuable tools for continuous learning and self-improvement. So why not take advantage of the vast world of Mec 6jr Owners Manual books and manuals for download and embark on your journey of knowledge?

FAQs About Mec 6jr Owners Manual Books

How do I know which eBook platform is the best for me? Finding the best eBook platform depends on your reading preferences and device compatibility. Research different platforms, read user reviews, and explore their features before making a choice. Are free eBooks of good quality? Yes, many reputable platforms offer high-quality free eBooks, including classics and public domain works. However, make sure to verify the source to ensure the eBook credibility. Can I read eBooks without an eReader? Absolutely! Most eBook platforms offer web-based readers or mobile apps that allow you to read eBooks on your computer, tablet, or smartphone. How do I avoid digital eye strain while reading eBooks? To prevent digital eye strain, take regular breaks, adjust the font size and background color, and ensure proper lighting while reading eBooks. What the advantage of interactive eBooks? Interactive eBooks incorporate multimedia elements, quizzes, and activities, enhancing the reader engagement and providing a more immersive learning experience. Mec 6jr Owners Manual is one of the best book in our library for free trial. We provide copy of Mec 6jr Owners Manual in digital format, so the resources that you find are reliable. There are also many Ebooks of related with Mec 6jr Owners Manual. Where to download Mec 6jr Owners Manual online for free? Are you looking for Mec 6jr Owners Manual PDF? This is definitely going to save you time and cash in something you should think about.

Find Mec 6jr Owners Manual :

history paper 2 zimsec june 2014

him her them boxed set english edition

[history alive pursuing american ideals notebook guide](#)

[his big hard demand blackmail kinks](#)

histoire des trois reich

[histoire des universiteacutes xiiiexxie siegravecle](#)

histoires de la souffrance sociale xviiexxe siegravecles

his nympho pet claimed by the bad boy english edition

[hino manual eh700 maintenance manual](#)

history of modern art paperback 7th edition

[his unlikely lover the unwanted series english edition](#)

hipaa compliance 2015 manual for chiropractor

[hispanic music lesson plan](#)

hilux 2015 owners manual

histoires de sexe dominateur gay dominer mon patron

Mec 6jr Owners Manual :

lesson 1 land and resources of africa answer key scribd - Aug 15 2023

web unit 3 lesson 1 land and resources of africa grade 8 answer key learning objective examine the physical geography of africa a list any five countries in the continent of africa and name their capital cities

geography of africa ss7g1 by brain wrinkles tpt - Feb 09 2023

web this bundle contains the following africa resource pack files geography of africa environmental issues population and trade ethnic groups governments kenya nigeria and south africa education health and famine economies kenya nigeria and south africa voluntary trade and trade barrie 12 products 64 00 80 00 save 16 00 view

the scramble for africa 11 1 flashcards quizlet - Oct 05 2022

web study with quizlet and memorize flashcards containing terms like imperialism two reasons why vast areas of africa were seized by europeans during the 19th and early 20th centuries divisions in africa in the mid 1800s and more

300 top africa gk quiz questions and answers mcqs online - Apr 30 2022

web 8 this african city was once an internationally administered enclave which city is this tangier 9 the longest african river which emptying into the indian ocean is the zambezi 10 the biggest city in natal is durban 11 the highest peak in africa is mount kilimanjaro 12 the northernmost city in africa is bizerte 13

africa tour word search puzzle with answer key english - Mar 10 2023

web sep 30 2023 we present to you the africa tour word search puzzle complete with an answer key this puzzle is designed to challenge your knowledge of the african continent its countries cultures and landscapes while also providing a fun and interactive way to learn more about this diverse and fascinating part of the world

africa worksheet teaching resources tpt - Nov 06 2022

web geography of africa reading comprehension worksheet continent studies by teaching to the middle 5 0 7 1 50 pdf this passage briefly describes the geography of africa students label a map and answer 15 questions identify and multiple choice to

africa worksheets - Oct 17 2023

web worksheets and answer keys are provided project idea have your students pick an african country and present a report on its food people government etc to the rest of the class get free worksheets in your inbox print africa worksheets click the buttons to print each worksheet and associated answer key the people of africa reading passage

countries of africa printable map and word - Jan 08 2023

web feb 12 2023 using the map find the 54 countries of africa in this printable word search puzzle one printable word search puzzle with map plus answer key

scramble for africa webquest flashcards quizlet - Sep 04 2022

web scramble for africa webquest study with quizlet and memorize flashcards containing terms like what european nations were imperialistic in africa what two nations had control of the greatest amount of territory in africa describe european imperialism in africa before the 19th century and more

answer key to sub saharan africa unit tese easy peasy all in - Mar 30 2022

web sub saharan africa unit test answer key 1 three 2 second 3 humans 4 kalahari namib 5 funds 6 television 7 raw market 8 slaves 9 deserts civil 10 africa

africa storyline google docs google sheets - May 12 2023

web oct 12 2023 hs ls2 4 use mathematical representations to support claims for the cycling of matter and flow of energy among organisms in an ecosystem hs ls2 5 develop a model to illustrate the role of photosynthesis and cellular respiration in the cycling of carbon among the biosphere atmosphere hydrosphere and geosphere

[informational passages rc africa englishforeveryone org](#) - Jun 01 2022

web englishforeveryone org name date africa is the second largest continent after asia it also has the second largest population after asia about one billion people live in africa that is almost 15 of the world s population

the scramble for africa commonlit answers 2023 free - Dec 07 2022

web in commonlit the scramble for africa is one of the students favorite passages authored by bakari bosa for grade 10 students in the scramble for africa he highlights the tragic brutal history of european imperialism in africa hope you got the scramble for africa commonlit answers key for free as promised

read states and empires of west africa khan academy - Aug 03 2022

web most west african gold in this period was mined a hundred miles or so south of wagadu and it was in great demand in north africa and europe thousands of miles to the north meanwhile the hausa states and kanem controlled the sale of kola nuts grown in the forests to the south and mostly used as a stimulant in north africa and the middle east

the scramble for africa by bakari bosa pdf resource commonlit - Feb 26 2022

web 1 that have been used to describe the period known as the scramble for africa in short the scramble for africa was the invasion occupation colonization 2 and annexation 3 of african territories by european powers as with most major events in history its roots are connected to past events

africa word search puzzle with answer key english summary - Apr 11 2023

web oct 3 2023 welcome to the africa word search puzzle a challenging and educational activity that will test your knowledge of the diverse and vibrant continent of africa this document includes a comprehensive word search grid filled with 20 words related to the geography history and culture of africa

[africa worksheets teach nology com](#) - Sep 16 2023

web vocabulary quiz worksheet answer key word chop awesome teacher resources for africa lesson plans teaching theme the continent of africa ernest hemingway once said when you leave africa as the plane lifts you feel that more than leaving a continent you re leaving a state of mind

africa countries printables seterra geoguessr - Jun 13 2023

web download 01 blank printable africa countries map pdf download 02 labeled printable africa countries map pdf download 03 printable africa countries map quiz pdf download 04 key for printable africa countries quiz pdf

countries of africa quiz best 60 questions with answers - Jul 14 2023

web sep 20 2023 answer answer the red sea 2 which of the countries of africa is first alphabetically answer algeria 3 which is africa s least densely populated country answer western sahara 4 99 of which country s population lives in a valley or delta of the river Nile answer egypt 5 which country is home to the great sphinx and the

scramble for africa quiz howstuffworks - Jul 02 2022

web which country was it belgium england france stanley s explorations of the congo river area essentially did what to africa made it look like a disease ridden tropical nightmare made it seem more impenetrable than before served it up on a carving platter belgium was a true force in european politics in the 1870s true false

captivated by you crossfire series book 4 sylvia day - Jun 27 2023

nov 24 2014 164 ratings6 reviews *captivated by you* by sylvia day book 4 summary analysis this is a summary analysis the fourth in a series sylvia day s novel covers the

captivated by you crossfire 4 by sylvia day goodreads - Sep 30 2023

nov 18 2014 nominee for best romance 2015 gideon calls me his angel but he s the miracle in my life my gorgeous wounded warrior so determined to slay my demons while refusing to

sylvia day s captivated by you crossfire summary and analysis - May 15 2022

oct 15 2022 adult fiction romance isbn 9780425273869 date of publication pdf epub file name *captivated by you* sylvia day pdf *captivated by you*

captivated by you read online free by sylvia day novel12 - Aug 30 2023

captivated by you crossfire 4 read online free from your computer or mobile *captivated by you crossfire 4* is a romance novel by sylvia day

readers who enjoyed captivated by you crossfire 4 also - Apr 13 2022

adapted from the manga of the same name by wayama yama captivated by you is a 2021 high school comedy drama directed by ayuko tsukahara not exactly your normal everyday

[captivated by you a crossfire novel amazon com au](#) - Oct 20 2022

captivated by you is the fourth novel in the multi million global best selling crossfire series from sunday times best selling author sylvia day gideon calls me his angel but he s the miracle

crossfire series 4 5 captivated by you one with you - Nov 20 2022

captivated by you will take you to the very limits of obsession and introduce you to a hero you ll never forget one of the bestselling love stories of the century gideon is

crossfire series by sylvia day goodreads - Jan 23 2023

captivated by you a crossfire novel day sylvia amazon com au books books erotica literature fiction buy new 17 70 rrp 22 99 save 5 29 23 free delivery on first

captivated by you crossfire book 4 amazon com - Nov 08 2021

captivated by you a crossfire novel kindle edition - Dec 10 2021

captivated by you a crossfire novel kindle edition - Jul 17 2022

captivated by you crossfire 4 by sylvia day 4 15 avg rating 3 526 ratings gideon calls me his angel but he s the miracle in my life my gorgeous wounded warrior so determined to

captivated by you japão drama watch with english - Jan 11 2022

captivated by you crossfire series 4 barnes noble - Feb 21 2023

57 ratings0 reviews captivated by you gideon calls me his angel but he s the miracle in my life my gorgeous wounded warrior so determined to slay my demons while refusing to

captivated by you a crossfire novel sylvia day google books - Aug 18 2022

nov 2 2015 captivated by you is the fourth book in the continuing series by novelist sylvia day it takes the story further and encompasses the period between gideon and eva eloping

captivated by you a crossfire novel amazon in - Sep 18 2022

captivated by you by sylvia day book summary analysis this is a summary analysis the fourth in a series sylvia days novel covers the time between evas and gideon cross

[read captivated by you the free online novel](#) - Mar 13 2022

nov 18 2014 captivated by you is the fourth novel in the multi million global best selling crossfire series from sunday times best selling author sylvia day gideon calls me his

[captivated by you a crossfire novel amazon co uk](#) - Dec 22 2022

captivated by you will take you to the very limits of obsession and introduce you to a hero you ll never forget one of the bestselling love stories of the century gideon is

captivated by you crossfire book 4 amazon com - Mar 25 2023

captivated by you will take you to the very limits of obsession and introduce you to a hero you ll never forget one of the bestselling love stories of the century gideon is

[captivated by you crossfire book 4 sylvia day](#) - Apr 25 2023

the crossfire saga by sylvia day follows the emotional and romantic journey taken by gideon cross and eva tramell book 1 bared to you by sylvia day 4 15 517 516 ratings 20 874

[captivated by you crossfire book 4 kindle edition](#) - Jul 29 2023

nov 18 2014 audiobook 0 00 free with your audible trial the 1 new york times and 1 usa today bestseller gideon calls me his angel but he s the miracle in my life my gorgeous

[pdf epub captivated by you crossfire 4 download](#) - Feb 09 2022

captivated by you crossfire book 4 audible audiobook unabridged jill redfield narrator jeremy york narrator 2 more 4 4 39 252 ratings goodreads choice award nominee see

captivated by you crossfire book 4 by sylvia day - May 27 2023

nov 18 2014 captivated by you crossfire series 4 the fourth novel in the 1 new york times and 1 usa today bestselling crossfire series gideon calls

captivated by you crossfire 4 read novels online allnovel net - Jun 15 2022

author sylvia day book 4 of series crossfire view 0 published year 2014 genres romance gideon calls me his angel but he s the miracle in my life my gorgeous wounded

frosty the snowman satb sample arr kirby shaw soundcloud - Mar 18 2023

listen to frosty the snowman satb sample arr kirby shaw a playlist curated by choral tracks 2 matthew curtis on desktop and mobile

frosty the snowman satb choral octavo steve nelson alfred - Jun 21 2023

description frosty is rappin imitating the beach boys and singing in his best classical style in this crazy thumpity thump thumpin kirby arrangement yo frosty audio samples 00 00 00 00 frosty the snowman satb additional information

frosty the snowman wikipedia - Apr 07 2022

the legend of frosty the snowman 2005 bill fagerbakke took over as frosty s voice after vernon s death frosty returns 1992 is a sequel to the original song set in a separate fictional universe from the other specials with john goodman as the voice of a more sardonic frosty defending the value of snow against mr twitchell brian doyle

frosty the snowman arr rob campbell sheet music for choir - May 08 2022

download the high quality pdf file steve nelson frosty the snowman arr rob campbell for choir ssaa soprano alto intermediate sheet music includes an high quality pdf file to download instantly licensed to virtual sheet music by hal leonard publishing company

frosty the snowman satb by steve nelson j w pepper - Oct 13 2022

everyone s favorite snowman comes to life in this festive barbershop arrangement jing a lings and vocables create a playful texture and the melody rings through creating a holiday highlight that will surely have your audience singing along preview

frosty the snowman alfred music - Jun 09 2022

description frosty is rappin imitating the beach boys and singing in his best classical style in this crazy thumpity thump thumpin kirby arrangement yo frosty audio samples 00 00 02 46 frosty the snowman ttb satb recording additional information available in

frosty the snowman satb by steve nelson j w pepper - Jul 22 2023

artist michael buble steve nelson jack rollins arr alan billingsley alfred music publishing frosty goes to the jazz club in this wintertime classic a rapid swing tempo walking string bass line and stylized syncopations sync up to create an undeniably big band vintage vibe

frosty the snowman steve nelson satb choral sheet music - Apr 19 2023

frosty is rappin imitating the beach boys and singing in his best classical style in this crazy thumpity thump thumpin kirby arrangement yo frosty sample audio voicing satb pages 10 item 00 po 0001443

frosty the snowman imdb - Mar 06 2022

frosty the snowman a magic hat brings a snowman to life but makes him the target of people who want his magical powers

frosty the snowman steve nelson satb choral sheet music - Sep 12 2022

frosty the snowman digital sheet music download pdf print on demand arrangement choral composer s steve nelson jack rollins arranger s alan billingsley description frosty goes to the jazz club with this michael bublé inspired arrangement of the wintertime classic

rudolph frosty and suzy satb choral octavo sheet music - Nov 14 2022

rudolph frosty and suzy satb choral octavo 2 10 view rudolph frosty and suzy sab choral octavo 2 10 view rudolph frosty and

suzy sab choral octavo 2 10 view rudolph frosty and suzy ssa choral octavo 2 10 view rudolph frosty and suzy ssa choral octavo 2 10 view rudolph frosty and suzy 2 part choral octavo

frosty the snowman where to watch and stream tv guide - Feb 05 2022

1969 events specials family kids tvq watchlist jimmy durante narrates the story about the warmhearted man of snow who risks a meltdown from rising temperatures unless he can get to the

frosty the snowman sheet music by kirby shaw sku 38204 - Aug 11 2022

frosty the snowman arranged by kirby shaw for satb published by alfred publishing llc catalog 38204 upc 038081426754

frosty is rappin imitating the beach boys and singing in his best classical style in this crazy thumpity thump thumpin kirby arrangement yo frosty

frosty the snowman satb choral octavo steve nelson alfred - Feb 17 2023

words and music by steve nelson and jack rollins arr alan billingsley satb choral octavo digital sheet music download frosty goes to the jazz club with this michael buble inspired arrangement of the wintertime classic a rapid swing tempo walking string bass line and stylized syncopations sync up to create an undeniably big band vintage

rudolph the red nosed reindeer with frosty the snowman satb - Jan 16 2023

1 7k views 2 years ago rudolph composer johnny marks frosty composers walter rollins and steve nelson rudolph composer johnny marks frosty composers walter rollins

frosty the snowman satb sheet music for piano choral - Aug 23 2023

download and print in pdf or midi free sheet music for frosty the snowman by walter rollins arranged by kevin shen for piano choral frosty the snowman satb sheet music for piano choral musescore com

frosty the snowman satb arr alan billingsley score sound - Sep 24 2023

policy safety how youtube works test new features nfl sunday ticket 2023 google llc for more information or to purchase visit bit ly 35ik1xtfrosty the snowman words and music by

frosty the snow man satb hal leonard online - Dec 15 2022

frosty and friends come thumpity thumping right down to town but with a little bit of a rock n roll update zany and fun available separately satb 3 part mixed 2 part and ssa instrumental pak and showtrax cd also available performance time approx 2 40

frosty the snowman satb choral octavo jack rollins sheet - May 20 2023

satb choral octavo frosty goes to the jazz club with this michael buble inspired arrangement of the wintertime classic a rapid swing tempo walking string bass line and stylized syncopations sync up to create an undeniably big band vintage vibe the back and forth banter

frosty the snowman satb by lojeski j w pepper sheet - Jul 10 2022

buy frosty the snowman satb by lojeski at jwpepper.com choral sheet music item detail c frosty the snowman 1368240
register today for the new sounds of j w pepper summer reading sessions in person and online