

# Mazda 3 Workshop Manual 2014-2018

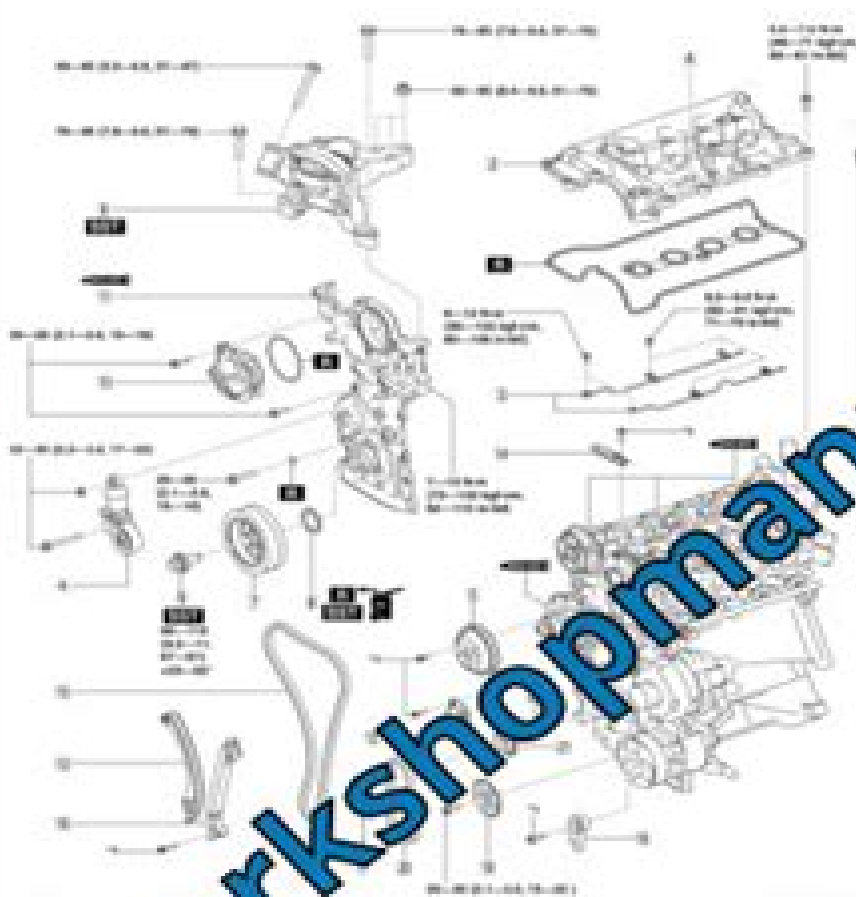


FIG. 4-11-1

#### Component Removal Note

##### CAUTION:

- 1. When the spring chain is set up during and after the work in which it has been set apart from the ground, if the chain falls down, it may damage your car and yourself or the technician and his/her, leading to fatal injury.
- 2. After working, always verify the work items.



**PDF**  
**DOWNLOAD**

workshopmanuals.org

# Mazda Shop Manual

**A. K. Legg**



## **Mazda Shop Manual:**

Mazda Miata 1800 Rod Grainger, Pete Shoemark, 2000 Following the success and critical acclaim of Veloce's original manual for the MX-5 1.6 Miata 1.6 in USA we've once again got our hands oily to bring the reader a new manual on the 1.8 model. Just like its predecessor, this new book is phenomenally detailed, covering the car from front bumper to rear tailpipe in an informative, helpful, and easy-to-understand manner. Every detail of important repair and maintenance jobs is covered, including how to overcome problems without resorting to special tools. Packed with step-by-step photographs and useful line drawings, no owner can afford to be without his unique manual.

**Mazda MX-5 Miata 1.8 Enthusiast's Workshop Manual** Rod Grainger, 2017 This is a phenomenally detailed book which covers the car from bumper to bumper. Every detail of important repair and maintenance jobs is covered. Covers all Mk1 cars with pop-up headlights, 1.8 litre models, 1994-98, the only aftermarket workshop manual available for the MX-5, written in an easy-to-use, friendly, step-by-step procedure supported by hundreds of photos, covers all aspects of maintenance and repair and applies equally to Eunos Roadster Japanese market model and Mazda Miata US market model.

Mazda Pick-up Owners Workshop Manual John Harold Haynes, Peter Ward, 1982

Mazda Pick-up Owners Workshop Manual J. H. Haynes, Peter Ward, 1976-06-01

Mazda Pick-Ups Owner's Workshop Manual Peter Ward, Mike Stubblefield, John Harold Haynes, 1988-01-01

*Mazda Engine Workshop Manual* KJ., 1993

*Mazda MX-5 Miata 1.6* Rod Grainger, 2006-08-22 The super manual for Miata owners. The author has personally dismantled and reassembled a Miata, taking step-by-step pictures of all procedures. This combined with his personal interest in the Miata and his years of writing and editing Haynes manuals provides the background necessary to write the best Miata shop manual available. Coverage includes maintenance, repairs, modifications, and improvements on all 1.6 liter Miatas from 1989-1994.

**Mazda Miata MX5** Rod Grainger, Pete Shoemark, 1994

**Mazda 323 Owners Workshop Manual** John S. Mead, 1985

**Mazda 626 and MX-6 Automotive Repair Manual** Larry Warren, John Harold Haynes, 1997-12 Mazda 626 FWD 1983-91 Shop Manual Haynes 253 pgs 607 ill

**Workshop Manual for Mazda 1300-1000** W. H. Davies, 1973

**Mazda MX-5 Miata 1.6 Enthusiast's Workshop Manual** Rod Grainger, 2017-08-15

With open topped styling and performance evocative of the classic sports cars of the 1960s, the Mazda MX-5 Eunos had to be a huge international success, and that's exactly what it's become. Now a familiar sight on the streets and boulevards of the world, the MX-5 is owned by real enthusiasts, the kind of people who will want to have hands-on involvement with the maintenance and repair of their prized possession. For those enthusiasts, here is what we believe to be the best, easiest to use workshop manual in the world. Author Rod Grainger set out to create a new kind of owner's workshop manual, friendly, easy to understand, easy to use, and yet more detailed than any other manual currently available. Two years later, the Mazda MX-5 Miata 1.6 Enthusiast's Workshop Manual was the result. Rod and fellow enthusiasts Pete and Judith stripped down an MX-5 in an ordinary domestic garage using ordinary tools, and in the process took over 1,500 step-by-step photographs. The result of

all this work is a superbly detailed text which passes on to the reader every detail of important jobs including how problems can be overcome without resorting to special tools This manual even tells the reader the size of nuts and bolts so they can start work with the right tools and all clearances and torque values are given in the text as the reader needs them At paragraph level a unique symbol system provides cross references or tells the reader that there are helpful associated photos drawings and tables The dreaded words reassembly is a reversal of the dismantling procedure are banned and every task from changing a bulb to rebuilding the gearbox is described in full Besides detailed coverage of maintenance and repairs this manual includes advice on rustproofing cosmetic tuning and mechanical tuning Rod's manual was prepared with the assistance of Mazda and it applies to all 1.6 litre models built between 1989 and 1995 Most of the manual is relevant to later 1.6 litre models too Mazda 323 Owners Workshop Manual John Harold Haynes,Trevor G. Hosie,1987 *Mazda 323 : Front,wheel,drive:Mar.1981 to oct.1989.1071 cc,1296 cc,1323 cc,1490 cc,1498 cc,1597 cc* Mark Coombs,1992 *Workshop Manual, Mazda RX-2, RX-3 Engine (license NSU-Wankel)*. Toyo Kogyo Company, Ltd,1972 **Workshop Manual for Mazda 1500, 1800 Series** W. H. Davies,1973-01-01 **Mazda Owners Workshop Manual** A. K. Legg,1982-01-01 **Mazda MX-5 Miata 1.8 1993 to 1999** Rod Grainger,2006-09-21 The super manual for Miata owners The author has personally dismantled and reassembled a Miata taking step by step pictures of all procedures This combined with his personal interest in the Miata and his years of writing and editing Haynes manuals makes him uniquely qualified to write the best Miata 1.8 liter shop manual available to date Coverage includes maintenance repairs modifications and improvements to all 1.8 liter Miatas from 1994 1997 the second generation Miata launched for 1999 is not covered Mazda 323 & Protégé Automotive Repair Manual Louis LeDoux,John Harold Haynes,2012 Mazda Hatchback Owners Workshop Manual ... John Harold Haynes,Trevor G. Hosie,1978

Right here, we have countless ebook **Mazda Shop Manual** and collections to check out. We additionally pay for variant types and with type of the books to browse. The conventional book, fiction, history, novel, scientific research, as capably as various additional sorts of books are readily welcoming here.

As this Mazda Shop Manual, it ends occurring bodily one of the favored ebook Mazda Shop Manual collections that we have. This is why you remain in the best website to look the unbelievable books to have.

<https://www.splashdogs.com/files/book-search/HomePages/main%20basse%20sur%20lor%20de%20la%20france.pdf>

## **Table of Contents Mazda Shop Manual**

1. Understanding the eBook Mazda Shop Manual
  - The Rise of Digital Reading Mazda Shop Manual
  - Advantages of eBooks Over Traditional Books
2. Identifying Mazda Shop Manual
  - Exploring Different Genres
  - Considering Fiction vs. Non-Fiction
  - Determining Your Reading Goals
3. Choosing the Right eBook Platform
  - Popular eBook Platforms
  - Features to Look for in an Mazda Shop Manual
  - User-Friendly Interface
4. Exploring eBook Recommendations from Mazda Shop Manual
  - Personalized Recommendations
  - Mazda Shop Manual User Reviews and Ratings
  - Mazda Shop Manual and Bestseller Lists
5. Accessing Mazda Shop Manual Free and Paid eBooks
  - Mazda Shop Manual Public Domain eBooks

- Mazda Shop Manual eBook Subscription Services
- Mazda Shop Manual Budget-Friendly Options
- 6. Navigating Mazda Shop Manual eBook Formats
  - ePub, PDF, MOBI, and More
  - Mazda Shop Manual Compatibility with Devices
  - Mazda Shop Manual Enhanced eBook Features
- 7. Enhancing Your Reading Experience
  - Adjustable Fonts and Text Sizes of Mazda Shop Manual
  - Highlighting and Note-Taking Mazda Shop Manual
  - Interactive Elements Mazda Shop Manual
- 8. Staying Engaged with Mazda Shop Manual
  - Joining Online Reading Communities
  - Participating in Virtual Book Clubs
  - Following Authors and Publishers Mazda Shop Manual
- 9. Balancing eBooks and Physical Books Mazda Shop Manual
  - Benefits of a Digital Library
  - Creating a Diverse Reading Collection Mazda Shop Manual
- 10. Overcoming Reading Challenges
  - Dealing with Digital Eye Strain
  - Minimizing Distractions
  - Managing Screen Time
- 11. Cultivating a Reading Routine Mazda Shop Manual
  - Setting Reading Goals Mazda Shop Manual
  - Carving Out Dedicated Reading Time
- 12. Sourcing Reliable Information of Mazda Shop Manual
  - Fact-Checking eBook Content of Mazda Shop Manual
  - Distinguishing Credible Sources
- 13. Promoting Lifelong Learning
  - Utilizing eBooks for Skill Development
  - Exploring Educational eBooks

## 14. Embracing eBook Trends

- Integration of Multimedia Elements
- Interactive and Gamified eBooks

### **Mazda Shop Manual Introduction**

In today's digital age, the availability of Mazda Shop Manual books and manuals for download has revolutionized the way we access information. Gone are the days of physically flipping through pages and carrying heavy textbooks or manuals. With just a few clicks, we can now access a wealth of knowledge from the comfort of our own homes or on the go. This article will explore the advantages of Mazda Shop Manual books and manuals for download, along with some popular platforms that offer these resources. One of the significant advantages of Mazda Shop Manual books and manuals for download is the cost-saving aspect. Traditional books and manuals can be costly, especially if you need to purchase several of them for educational or professional purposes. By accessing Mazda Shop Manual versions, you eliminate the need to spend money on physical copies. This not only saves you money but also reduces the environmental impact associated with book production and transportation. Furthermore, Mazda Shop Manual books and manuals for download are incredibly convenient. With just a computer or smartphone and an internet connection, you can access a vast library of resources on any subject imaginable. Whether you're a student looking for textbooks, a professional seeking industry-specific manuals, or someone interested in self-improvement, these digital resources provide an efficient and accessible means of acquiring knowledge. Moreover, PDF books and manuals offer a range of benefits compared to other digital formats. PDF files are designed to retain their formatting regardless of the device used to open them. This ensures that the content appears exactly as intended by the author, with no loss of formatting or missing graphics. Additionally, PDF files can be easily annotated, bookmarked, and searched for specific terms, making them highly practical for studying or referencing. When it comes to accessing Mazda Shop Manual books and manuals, several platforms offer an extensive collection of resources. One such platform is Project Gutenberg, a nonprofit organization that provides over 60,000 free eBooks. These books are primarily in the public domain, meaning they can be freely distributed and downloaded. Project Gutenberg offers a wide range of classic literature, making it an excellent resource for literature enthusiasts. Another popular platform for Mazda Shop Manual books and manuals is Open Library. Open Library is an initiative of the Internet Archive, a non-profit organization dedicated to digitizing cultural artifacts and making them accessible to the public. Open Library hosts millions of books, including both public domain works and contemporary titles. It also allows users to borrow digital copies of certain books for a limited period, similar to a library lending system. Additionally, many universities and educational institutions have their own digital libraries that provide free access to PDF books and manuals. These libraries often offer academic texts, research papers, and technical manuals,

making them invaluable resources for students and researchers. Some notable examples include MIT OpenCourseWare, which offers free access to course materials from the Massachusetts Institute of Technology, and the Digital Public Library of America, which provides a vast collection of digitized books and historical documents. In conclusion, Mazda Shop Manual books and manuals for download have transformed the way we access information. They provide a cost-effective and convenient means of acquiring knowledge, offering the ability to access a vast library of resources at our fingertips. With platforms like Project Gutenberg, Open Library, and various digital libraries offered by educational institutions, we have access to an ever-expanding collection of books and manuals. Whether for educational, professional, or personal purposes, these digital resources serve as valuable tools for continuous learning and self-improvement. So why not take advantage of the vast world of Mazda Shop Manual books and manuals for download and embark on your journey of knowledge?

## **FAQs About Mazda Shop Manual Books**

**What is a Mazda Shop Manual PDF?** A PDF (Portable Document Format) is a file format developed by Adobe that preserves the layout and formatting of a document, regardless of the software, hardware, or operating system used to view or print it. **How do I create a Mazda Shop Manual PDF?** There are several ways to create a PDF: Use software like Adobe Acrobat, Microsoft Word, or Google Docs, which often have built-in PDF creation tools. Print to PDF: Many applications and operating systems have a "Print to PDF" option that allows you to save a document as a PDF file instead of printing it on paper. Online converters: There are various online tools that can convert different file types to PDF. **How do I edit a Mazda Shop Manual PDF?** Editing a PDF can be done with software like Adobe Acrobat, which allows direct editing of text, images, and other elements within the PDF. Some free tools, like PDFescape or Smallpdf, also offer basic editing capabilities. **How do I convert a Mazda Shop Manual PDF to another file format?** There are multiple ways to convert a PDF to another format: Use online converters like Smallpdf, Zamzar, or Adobe Acrobats export feature to convert PDFs to formats like Word, Excel, JPEG, etc. Software like Adobe Acrobat, Microsoft Word, or other PDF editors may have options to export or save PDFs in different formats. **How do I password-protect a Mazda Shop Manual PDF?** Most PDF editing software allows you to add password protection. In Adobe Acrobat, for instance, you can go to "File" -> "Properties" -> "Security" to set a password to restrict access or editing capabilities. Are there any free alternatives to Adobe Acrobat for working with PDFs? Yes, there are many free alternatives for working with PDFs, such as: LibreOffice: Offers PDF editing features. PDFsam: Allows splitting, merging, and editing PDFs. Foxit Reader: Provides basic PDF viewing and editing capabilities. **How do I compress a PDF file?** You can use online tools like Smallpdf, ILovePDF, or desktop software like Adobe Acrobat to compress PDF files without significant quality loss. Compression reduces the file size, making it easier to share and



download. Can I fill out forms in a PDF file? Yes, most PDF viewers/editors like Adobe Acrobat, Preview (on Mac), or various online tools allow you to fill out forms in PDF files by selecting text fields and entering information. Are there any restrictions when working with PDFs? Some PDFs might have restrictions set by their creator, such as password protection, editing restrictions, or print restrictions. Breaking these restrictions might require specific software or tools, which may or may not be legal depending on the circumstances and local laws.

### **Find Mazda Shop Manual :**

**main basse sur lor de la france**

**magnavox zv427mg9 dvd recorder vcr combo manual**

*mail jones solution manual*

magneto ignition system circuit diagram

**maintenance policy procedures second edition**

*magnavox r80038 manual*

*makerere admission lists 20152016*

*maintenance manual mitsubishi pajero 94*

magicolor 2300dl manual

*make a large pizza dough recipe*

*maintenance mercedes c class*

maintenance manual for case 440 skidsteer

**maintenance manual gsxr 600 srad**

maicirtresse cathy linsoumise references

magnavox zv450mw8 user guide

### **Mazda Shop Manual :**

*10 great examples of a business meeting request email in 2023 - Dec 07 2022*

web apr 13 2023 examples of great business meeting request emails here are 10 examples of business meeting request emails ones that will get you in front of your prospects and ensure booked meetings it s definitely not the type of writing you d see on social media it s also nothing similar to any college assignments you ve ever done

*how to write a meeting request email examples pumble - May 12 2023*

web mar 31 2023 how to write a meeting request email with examples olga milicevic mar 31 in 2022 the average professional attended between 11 and 15 meetings per week presumably that means that a similar number of meeting  
[7 meeting request email examples](#) - Oct 05 2022

web best practices for meeting request emails meeting request emails will have similar elements to the sales related ones below are factors to consider when writing these emails a clear and engaging subject line an excellent subject line increases the open rate of your meeting request email

[7 perfect examples of a meeting request email uplead](#) - Jul 14 2023

web jul 21 2023 if you or your company have an informal way of doing things or if the targetted recipient may have already known some information about you or your company you can write a lengthier more casual meeting request email subject line donuts and coffee on me hi recipient i m name job title at company name

**how to write a meeting request email 9 great examples hunter** - Jun 13 2023

web feb 16 2022 in a meeting request email to somebody within your organization make sure you specify whether you want to schedule an in person meeting a phone call or a video call state the purpose for the meeting state how long the meeting will take 30 minutes 1 hour etc

**meeting request email templates subject lines 2023 update** - Feb 26 2022

web apr 23 2023 a meeting request email is any email that is sent to ask to schedule a meeting with someone usually it will ask whether the recipient has time to talk or make an appointment to speak this applies to both virtual meetings and in person meetings

[top 7 examples of great business meeting request email](#) - Jul 02 2022

web sep 28 2021 best meeting request email templates here are some easy to formulate meeting request templates that can help you form a really structures appointment email along with easy email subject line examples for meeting requests that people can t deny let s dive straight into the examples for meeting request emails without any further

**how to write a meeting request email with example** - Jun 01 2022

web sep 4 2023 1 start with an explanatory subject line try to make the subject line of your email clear and self explanatory indicate that this is a request to set up a meeting in the subject line by including words like discussion meeting or schedule

**how to schedule a meeting by email with templates** - Jan 28 2022

web mar 29 2023 related how to take and deliver meeting minutes meeting request email samples here are three sample email meeting requests you could use to help inspire you to write your own example 1 subject meeting request for mh s christmas party dear mr snyder i am an employee in the food service department here at mercy hospital

**26 email templates to ask for a meeting politely leadmonk** - Aug 03 2022

web nov 13 2022 when it comes to asking for an appointment politeness is key you don t want to come across as pushy or demanding learn how to politely request a meeting with 24 professional email templates perfect for business or networking these templates will help you make a great impression and increase your chances of getting a positive

[top 7 example of emails to schedule meeting ask for meeting](#) - Apr 30 2022

web oct 13 2022 example 1 professional cold email sample for requesting meeting email example 2 cold email with your introduction example 3 requesting meeting email sample for known people template example 4 cold email added with an issue template example 5 cold email template for saas companies example 6 product exemplar

[10 meeting request email templates you can use savvycal](#) - Mar 10 2023

web jan 10 2022 jessica malnik jan 10 2022 7 min read whether you are looking to give a sales demo scheduling a podcast interview or catching up with a colleague all of these will require some sort of meeting request message writing a meeting request email especially if it is sales related or influencer outreach can feel awkward

**meeting request email 24 examples and templates 19 sample** - Dec 27 2021

web casual meeting request mail sample you don t need to be formal if you re friends with someone here s a carefree session require samples you can use up get a set in the diary

[3 meeting request email templates for your leads clients](#) - Mar 30 2022

web meeting request email 3 existing customer you can also set up email automation to reach out to customers who are at risk of churning re engage them by highlighting features that are underused or you can pitch a higher tier of features it s up to your success team to decide what s appropriate

**50 great meeting request email samples templatelab** - Apr 11 2023

web 1 meeting request emails 2 when do you need a meeting request email 3 schedule a meeting email samples 4 elements of a meeting request email 5 business meeting request emails 6 how to request a meeting via email 7 tips for scheduling meetings apart from sending a meeting request email

**7 perfect examples of a meeting request email leadmine** - Nov 06 2022

web aug 27 2021 what is a meeting request email keys to an effective meeting request email impressive subject line introduce yourself purpose of meeting location what you need to do before writing meeting request email the best 7 meeting request email templates and samples professional cold mail meeting request email display your

[meeting request email 24 examples and templates flowrite](#) - Aug 15 2023

web 7 casual meeting request email sample you don t need to be formal if you re friends with someone here s a casual meeting request sample you can use to get a date in the diary

[how to ask for a meeting with email best meeting request email](#) - Feb 09 2023

web sep 16 2022 a business meeting request email is an email you send to ask for an appointment with someone this can include your prospect current customer business partner potential influencer investor team and others there are many reasons you may want to send a meeting request email for example making a sales pitch

*how to write a meeting request email with examples* - Sep 04 2022

web mar 22 2023 discover how to write a meeting request email the benefits of requesting meetings via email and review simple steps and example emails to learn how to do it

7 best meeting request email templates and samples in 2023 examples - Jan 08 2023

web dec 16 2022 you ll learn how to ensure that each sample meeting request email contains the right information a pain point a call to action contact information your info your name and your company name time suggestions next

fresenius kabi global - Dec 29 2022

web infusion pump refer to attachment product name refer to attachment article number device classification according to annex viii clause 6 4 rule 12 n044530 ambix

*litre assessment ambulatory pump for parenteral nutrition* - Apr 20 2022

web 2 ambix pump manual 2022 10 31 volume compiles studies of the production and reproduction of market supporting social infrastructures through the prism of knowledge

ambix pump manual citeve events - Feb 16 2022

web der empfohlene stk wartungsintervall für ambix activ und den pumpenhalter beträgt zwei jahre oder eine applikation von 1 000 litern entspricht 8 000 stunden bei 125 ml h

**bc home parenteral nutrition hpn program troubleshooting** - Oct 27 2022

web medical device verification verify the ambix activ is an ambulatory pump is supplied by fresenius kabi for the administration of parenteral nutrition pn and antibiotics ambix

*manual alaris 8120 and 8110 service manual nov 2010 med* - Mar 20 2022

web ambix healthcare llp 84 nirmal industrial park gidc harnahoda road gozaria mehsana 382825 91 96622 94714 info ambixhealthcare com

fresenius kabi ambix nova manuals manualslib - Jun 03 2023

web 6 1 introduction 1 1 intended use 1 2 indications 1 3 intended patient population 1 4 intended user profile the ambix activ is designed for parenteral nutrition and antibiotic therapy in

**fresenius kabi ambix activ instructions for use manual** - Oct 07 2023

web view and download fresenius kabi ambix activ instructions for use manual online ambix activ medical equipment pdf manual download

**fresenius kabi ambix nova instructions for use manual** - Aug 05 2023

web fresenius kabi ambix nova manuals manuals and user guides for fresenius kabi ambix nova we have 1 fresenius kabi ambix nova manual available for free pdf download

**ambix healthcare llp** - Dec 17 2021

[ambix pump manual stage gapinc com](#) - Jan 18 2022

*designed for life* - Feb 28 2023

web patient info calea the heart of homecare

[patient info calea the heart of homecare](#) - Nov 27 2022

web ambix activ pump to download the ambix activ instruction manual please click here hpn complications if you have any problems related to you hpn call the bc hpn

*bc home parenteral nutrition hpn program troubleshooting* - Aug 25 2022

web ambix nova inspirert av pasienters liv infusjon som gis hjemme må infunderes gjennom en pumpe for sikker og effektiv infusjon ambix nova er den nye generasjonen ambulerende

**fresenius kabi ag else kröner str 1 61352 bad homburg** - Sep 25 2022

web 1 introduction amika is an enteral feeding pump and disposables dedicated to enteral feeding and hydration amika pump and sets intended use is to deliver nutrition and

*instructions for use fresenius kabi global* - Jun 22 2022

web download instead downloadable pdf manual for alaris 8120 and 8110 service manual nov 2010

[fresenius kabi ambix activ manuals manualslib](#) - Jul 04 2023

web view and download calea ambix activ quick reference manual online ambulatory pump accessories ambix activ medical equipment pdf manual download

**calea ambix activ user manual pdf download** - Sep 06 2023

web fresenius kabi ambix activ manuals manuals and user guides for fresenius kabi ambix activ we have 1 fresenius kabi ambix activ manual available for free pdf download

**calea ambix activ quick reference manual pdf** - May 02 2023

web while your homecare nurse will have explained the relevant information you need for your specific treatment and pump this booklet supports those instructions and your use of the

**fresenius kabi ambix activ gebrauchsanweisung manualslib** - Nov 15 2021

**applicable to software version 2 fresenius kabi global** - Apr 01 2023

web fresenius kabi global

**calea ambix activ user manual manualzz** - Jan 30 2023

web ambix activ pump to download the ambix activ teaching manual please click there hpn mixed if it have random common related to your hpn call the bc hpn program s

enkel og trygg den komplette løsningen fresenius kabi global - May 22 2022

web file name ambix pump manual pdf size 4572 kb type pdf epub ebook category book uploaded 10 may 2019 23 49 pm rating 4 6 5 from 840 votes status

**medical device verification verify calea** - Jul 24 2022

web ambix nova ambulatory infusion pump company fresenius kabi published pinnt 2022 background 1 1 what is litre litre is a standing committee of pinnt and convene a

podemos salvar el mundo antes de cenar el espaÑol - May 30 2023

web oct 7 2019 podemos salvar el mundo antes de cenar jonathan safran foer letras podemos salvar el mundo antes de cenar en este ensayo heterogéneo safran foer tiene un objetivo persuadirnos de que

podemos salvar el mundo antes de cenar un libro para salvar el - Aug 21 2022

web mar 4 2020 uno de ellos es el escritor jonathan safran foer que a través de su nuevo ensayo podemos salvar el mundo antes de cenar seix barral 2019 señala que para intentar revertir los

podemos salvar el mundo antes de cenar fnac - Mar 28 2023

web oct 1 2019 podemos salvar el mundo antes de cenar sé el primero en dar tu opinión empieza a leer formato libro libro 18 53 ebook epub 8 54 información ofertas y promociones 5 en libros resumen ver todo la mayoría de los libros que abordan la crisis del medioambiente son densos académicos y están repletos de estadísticas

**podemos salvar el mundo antes de cenar los tres mundos** - Jun 30 2023

web podemos salvar el mundo antes de cenar es un ensayo conmovedor y doloroso a la vez sincero bien conducido y directo en ocasiones demoledor y en otras más optimista tiene por objetivo provocar la reflexión en el lector sobre las posibilidades que tenemos nosotr s como individuos para frenar la gran crisis a la que nunca se haya

*podemos salvar el mundo antes de cenar librerías* - Jun 18 2022

web podemos salvar el mundo antes de cenar foer jonathan safran la mayoría de los libros que abordan la crisis del medioambiente son densos académicos y están repletos de estadísticas impersonales este no es uno más es accesible inmediato y ofrece una solución clara que los lectores pueden poner en practica

podemos salvar el mundo antes de cenar - Feb 12 2022

web podemos salvar el mundo antes de cenar foer jonathan safran s 105 00 la mayoría de los libros que abordan la crisis del medioambiente son densos académicos y es

*podemos salvar el mundo antes de cenar somos libros* - Apr 16 2022

web escrito por jonathan safran foer podemos salvar el mundo antes de cenar se ha vuelto una forma de entender el peligro que implica el calentamiento global desde un punto de vista más personal sin el constante uso de estadísticas que muchos libros folletos documentales o programas de televisión

**podemos salvar el mundo antes de cenar jonathan safran foer** - Jan 26 2023

web podemos salvar el mundo antes de cenar de jonathan safran foer el cambio climático es un problema real y podemos hacer algo para solucionarlo cambiar lo

*podemos salvar el mundo antes de cenar audible com* - Oct 23 2022

web podemos salvar el mundo antes de cenar as it s meant to be heard narrated by roger isasi isasmendi discover the spanish audiobook at audible free trial available

*podemos salvar el mundo antes de cenar planetadelibros* - Sep 02 2023

web sinopsis de podemos salvar el mundo antes de cenar el cambio climático es un problema real y podemos hacer algo para solucionarlo cambiar lo que comemos a diario la mayoría de los libros que abordan la crisis del medioambiente son densos académicos y están repletos de estadísticas impersonales este no es uno más

*podemos salvar el mundo antes de cenar enclave de* - Mar 16 2022

web podemos salvar el mundo antes de cenar foer jonathan safran 19 50 la mayoría de los libros que abordan la crisis del medioambiente son densos académicos y están repletos de estadísticas impersonales este no es uno más es accesible inmediato y ofrece una solución clara que los lectores pueden poner en

**podemos salvar el mundo planetadelibros** - Sep 21 2022

web el mensaje de podemos salvar el mundo antes de cenar es conmovedor y doloroso a la vez desmoralizador y optimista y obligará a los lectores a repensar su com promise para combatir la crisis más grande a la que se haya enfrentado nunca la humanidad publishers weekly

**podemos salvar el mundo antes de cenar los tres mundos** - Oct 03 2023

web che questo libro sia un invito a diventare protagonisti attivi per cambiare le sorti del pianeta facendo nostra la mal comprensione che jonathan safran foer aveva da bambino alla fine del racconto della storia di sua nonna ma da bambino invece di you are so lucky to be leaving io capivo you are so lucky to believing sei

podemos salvar el mundo antes de cenar pressreader - May 18 2022

web jan 1 2020 podemos salvar el mundo antes de cenar qué podemos hacer para evitar la sexta extinción de la vida en el

planeta realmente la forma más importante de evitarla forma parte de una decisión personal en su nueva obra safran foer ofrece la respuesta queda poco tiempo 2020 01 01 textos jonathan safran foer

*podemos salvar el mundo antes de cenar amazon ae* - Feb 24 2023

web buy podemos salvar el mundo antes de cenar by foer jonathan safran luengo lorenzo online on amazon ae at best prices fast and free shipping free returns cash on delivery available on eligible purchase

*podemos salvar el mundo antes de cenar ebook barnes noble* - Dec 25 2022

web oct 1 2019 la mayoría de los libros que abordan la crisis del medioambiente son densos académicos y están repletos de estadísticas impersonales podemos salvar el mundo antes de cenar 344 by jonathan safran foer lorenzo luengo translator read an

podemos salvar el mundo antes de cenar kobo com - Jul 20 2022

web lee podemos salvar el mundo antes de cenar de jonathan safran foer disponible en rakuten kobo el cambio climático es un problema real y podemos hacer algo para solucionarlo cambiar lo que comemos a diario la mayo

**podemos salvar el mundo antes de cenar jonathan safran foer** - Apr 28 2023

web planetadelibros ciencias humanas y sociales podemos salvar el mundo antes de cenar marcar como leído podemos salvar el mundo antes de cenar jonathan safran foer sé el primero a en valorar este libro editorial seix barral temática ciencias humanas y sociales temática novela literaria no ficción novelada colección fuera de colección

podemos salvar el mundo antes de cenar planetadelibros - Nov 23 2022

web podemos salvar el mundo antes de cenar de jonathan safran foer el cambio climático es un problema real y podemos hacer algo para solucionarlo cambiar lo

**podemos salvar el mundo antes de cenar casa del** - Aug 01 2023

web sinopsis de podemos salvar el mundo antes de cenar el cambio climático es un problema real y podemos hacer algo para solucionarlo cambiar lo que comemos a diario la mayoría de los libros que abordan la crisis del medioambiente son densos académicos y están repletos de estadísticas impersonales este no es uno más