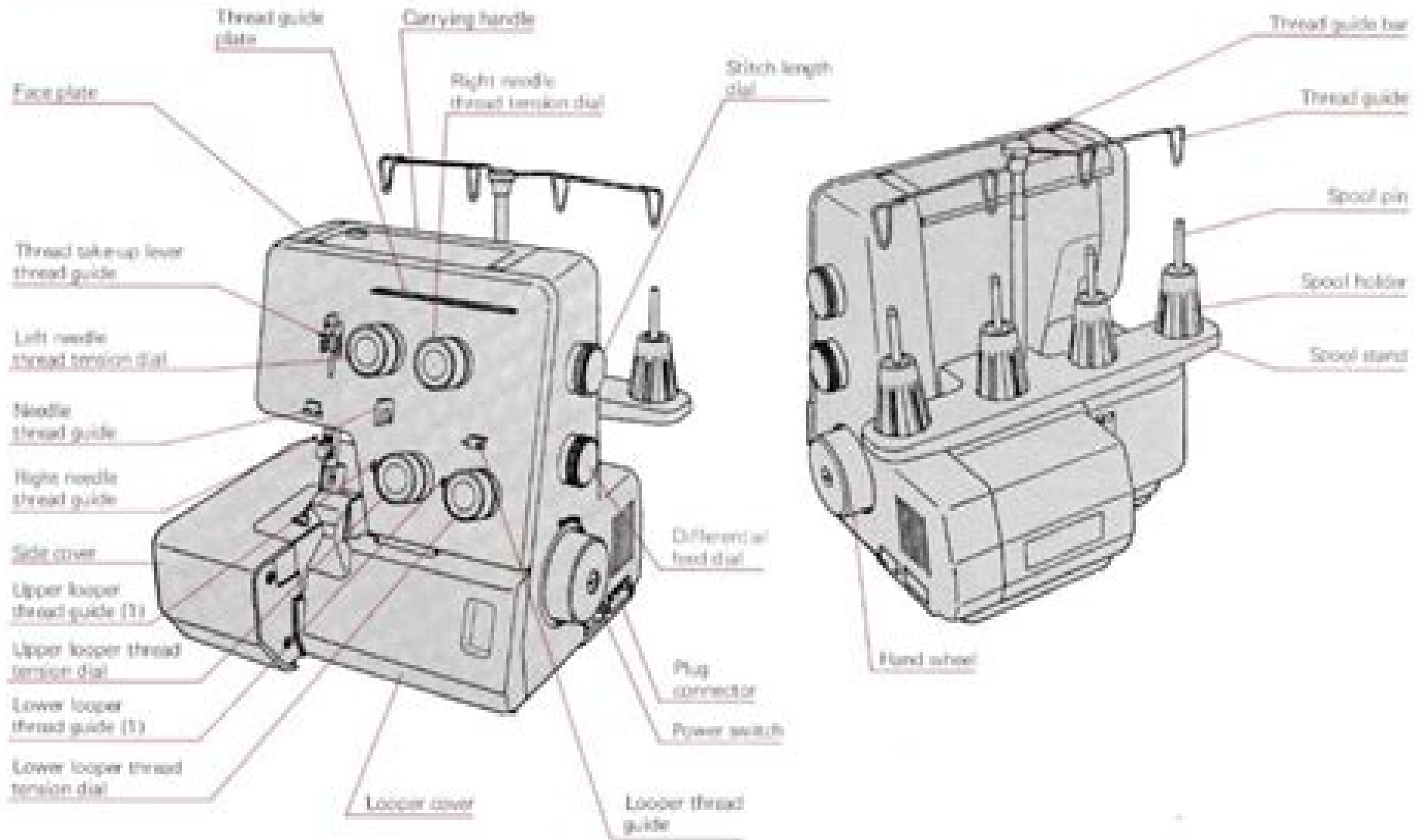


Locate and Identify the Parts



# Manual For Janome My Lock 134d

**Chao Zhang**



## **Manual For Janome My Lock 134d:**

This is likewise one of the factors by obtaining the soft documents of this **Manual For Janome My Lock 134d** by online. You might not require more grow old to spend to go to the ebook instigation as with ease as search for them. In some cases, you likewise get not discover the broadcast Manual For Janome My Lock 134d that you are looking for. It will agreed squander the time.

However below, subsequent to you visit this web page, it will be appropriately utterly easy to get as capably as download guide Manual For Janome My Lock 134d

It will not take on many era as we accustom before. You can accomplish it while exploit something else at house and even in your workplace. hence easy! So, are you question? Just exercise just what we pay for under as competently as review **Manual For Janome My Lock 134d** what you past to read!

[https://www.splashdogs.com/public/virtual-library/index.jsp/Life\\_Science\\_Paper2\\_Grade11\\_2014\\_November.pdf](https://www.splashdogs.com/public/virtual-library/index.jsp/Life_Science_Paper2_Grade11_2014_November.pdf)

## **Table of Contents Manual For Janome My Lock 134d**

1. Understanding the eBook Manual For Janome My Lock 134d
  - The Rise of Digital Reading Manual For Janome My Lock 134d
  - Advantages of eBooks Over Traditional Books
2. Identifying Manual For Janome My Lock 134d
  - Exploring Different Genres
  - Considering Fiction vs. Non-Fiction
  - Determining Your Reading Goals
3. Choosing the Right eBook Platform
  - Popular eBook Platforms
  - Features to Look for in an Manual For Janome My Lock 134d
  - User-Friendly Interface
4. Exploring eBook Recommendations from Manual For Janome My Lock 134d

- Personalized Recommendations
  - Manual For Janome My Lock 134d User Reviews and Ratings
  - Manual For Janome My Lock 134d and Bestseller Lists
5. Accessing Manual For Janome My Lock 134d Free and Paid eBooks
    - Manual For Janome My Lock 134d Public Domain eBooks
    - Manual For Janome My Lock 134d eBook Subscription Services
    - Manual For Janome My Lock 134d Budget-Friendly Options
  6. Navigating Manual For Janome My Lock 134d eBook Formats
    - ePub, PDF, MOBI, and More
    - Manual For Janome My Lock 134d Compatibility with Devices
    - Manual For Janome My Lock 134d Enhanced eBook Features
  7. Enhancing Your Reading Experience
    - Adjustable Fonts and Text Sizes of Manual For Janome My Lock 134d
    - Highlighting and Note-Taking Manual For Janome My Lock 134d
    - Interactive Elements Manual For Janome My Lock 134d
  8. Staying Engaged with Manual For Janome My Lock 134d
    - Joining Online Reading Communities
    - Participating in Virtual Book Clubs
    - Following Authors and Publishers Manual For Janome My Lock 134d
  9. Balancing eBooks and Physical Books Manual For Janome My Lock 134d
    - Benefits of a Digital Library
    - Creating a Diverse Reading Collection Manual For Janome My Lock 134d
  10. Overcoming Reading Challenges
    - Dealing with Digital Eye Strain
    - Minimizing Distractions
    - Managing Screen Time
  11. Cultivating a Reading Routine Manual For Janome My Lock 134d
    - Setting Reading Goals Manual For Janome My Lock 134d
    - Carving Out Dedicated Reading Time
  12. Sourcing Reliable Information of Manual For Janome My Lock 134d

- Fact-Checking eBook Content of Manual For Janome My Lock 134d
  - Distinguishing Credible Sources
13. Promoting Lifelong Learning
- Utilizing eBooks for Skill Development
  - Exploring Educational eBooks
14. Embracing eBook Trends
- Integration of Multimedia Elements
  - Interactive and Gamified eBooks

### **Manual For Janome My Lock 134d Introduction**

Free PDF Books and Manuals for Download: Unlocking Knowledge at Your Fingertips In today's fast-paced digital age, obtaining valuable knowledge has become easier than ever. Thanks to the internet, a vast array of books and manuals are now available for free download in PDF format. Whether you are a student, professional, or simply an avid reader, this treasure trove of downloadable resources offers a wealth of information, conveniently accessible anytime, anywhere. The advent of online libraries and platforms dedicated to sharing knowledge has revolutionized the way we consume information. No longer confined to physical libraries or bookstores, readers can now access an extensive collection of digital books and manuals with just a few clicks. These resources, available in PDF, Microsoft Word, and PowerPoint formats, cater to a wide range of interests, including literature, technology, science, history, and much more. One notable platform where you can explore and download free Manual For Janome My Lock 134d PDF books and manuals is the internet's largest free library. Hosted online, this catalog compiles a vast assortment of documents, making it a veritable goldmine of knowledge. With its easy-to-use website interface and customizable PDF generator, this platform offers a user-friendly experience, allowing individuals to effortlessly navigate and access the information they seek. The availability of free PDF books and manuals on this platform demonstrates its commitment to democratizing education and empowering individuals with the tools needed to succeed in their chosen fields. It allows anyone, regardless of their background or financial limitations, to expand their horizons and gain insights from experts in various disciplines. One of the most significant advantages of downloading PDF books and manuals lies in their portability. Unlike physical copies, digital books can be stored and carried on a single device, such as a tablet or smartphone, saving valuable space and weight. This convenience makes it possible for readers to have their entire library at their fingertips, whether they are commuting, traveling, or simply enjoying a lazy afternoon at home. Additionally, digital files are easily searchable, enabling readers to locate specific information within seconds. With a few keystrokes, users can search for keywords, topics, or phrases, making research and finding relevant information a breeze.

This efficiency saves time and effort, streamlining the learning process and allowing individuals to focus on extracting the information they need. Furthermore, the availability of free PDF books and manuals fosters a culture of continuous learning. By removing financial barriers, more people can access educational resources and pursue lifelong learning, contributing to personal growth and professional development. This democratization of knowledge promotes intellectual curiosity and empowers individuals to become lifelong learners, promoting progress and innovation in various fields. It is worth noting that while accessing free Manual For Janome My Lock 134d PDF books and manuals is convenient and cost-effective, it is vital to respect copyright laws and intellectual property rights. Platforms offering free downloads often operate within legal boundaries, ensuring that the materials they provide are either in the public domain or authorized for distribution. By adhering to copyright laws, users can enjoy the benefits of free access to knowledge while supporting the authors and publishers who make these resources available. In conclusion, the availability of Manual For Janome My Lock 134d free PDF books and manuals for download has revolutionized the way we access and consume knowledge. With just a few clicks, individuals can explore a vast collection of resources across different disciplines, all free of charge. This accessibility empowers individuals to become lifelong learners, contributing to personal growth, professional development, and the advancement of society as a whole. So why not unlock a world of knowledge today? Start exploring the vast sea of free PDF books and manuals waiting to be discovered right at your fingertips.

## **FAQs About Manual For Janome My Lock 134d Books**

**What is a Manual For Janome My Lock 134d PDF?** A PDF (Portable Document Format) is a file format developed by Adobe that preserves the layout and formatting of a document, regardless of the software, hardware, or operating system used to view or print it. **How do I create a Manual For Janome My Lock 134d PDF?** There are several ways to create a PDF: Use software like Adobe Acrobat, Microsoft Word, or Google Docs, which often have built-in PDF creation tools. Print to PDF: Many applications and operating systems have a "Print to PDF" option that allows you to save a document as a PDF file instead of printing it on paper. Online converters: There are various online tools that can convert different file types to PDF. **How do I edit a Manual For Janome My Lock 134d PDF?** Editing a PDF can be done with software like Adobe Acrobat, which allows direct editing of text, images, and other elements within the PDF. Some free tools, like PDFescape or Smallpdf, also offer basic editing capabilities. **How do I convert a Manual For Janome My Lock 134d PDF to another file format?** There are multiple ways to convert a PDF to another format: Use online converters like Smallpdf, Zamzar, or Adobe Acrobat's export feature to convert PDFs to formats like Word, Excel, JPEG, etc. Software like Adobe Acrobat, Microsoft Word, or other PDF editors may have options to export or save PDFs in different formats. **How do I password-protect a**

**Manual For Janome My Lock 134d PDF?** Most PDF editing software allows you to add password protection. In Adobe Acrobat, for instance, you can go to "File" -> "Properties" -> "Security" to set a password to restrict access or editing capabilities. Are there any free alternatives to Adobe Acrobat for working with PDFs? Yes, there are many free alternatives for working with PDFs, such as: LibreOffice: Offers PDF editing features. PDFsam: Allows splitting, merging, and editing PDFs. Foxit Reader: Provides basic PDF viewing and editing capabilities. How do I compress a PDF file? You can use online tools like Smallpdf, ILovePDF, or desktop software like Adobe Acrobat to compress PDF files without significant quality loss. Compression reduces the file size, making it easier to share and download. Can I fill out forms in a PDF file? Yes, most PDF viewers/editors like Adobe Acrobat, Preview (on Mac), or various online tools allow you to fill out forms in PDF files by selecting text fields and entering information. Are there any restrictions when working with PDFs? Some PDFs might have restrictions set by their creator, such as password protection, editing restrictions, or print restrictions. Breaking these restrictions might require specific software or tools, which may or may not be legal depending on the circumstances and local laws.

### **Find Manual For Janome My Lock 134d :**

[life science paper2 grade11 2014 november](#)

[life science papergrade1 november caps eastern cape](#)

[life science pmemo september 2013](#)

**life science paper memo grade 11**

[life science scope grade 12014](#)

**life science 2014 hats study guide**

**life science exemplar 2014 for grade11**

**life science paper 1 exemplar 2013**

[life science paper 2 memorandum for june 2014](#)

[life science grade 12 exam papers 2013](#)

**life science papergradenovember 2012**

[life science g1pfinal exam 2014](#)

[life science june paper 1 for grade 11 2014](#)

[life science paper2 final exams answers](#)

[life science grade 1 exam 2014 tshwane west](#)



**Manual For Janome My Lock 134d :**

**the spiritual laws of life harold klemp google books** - Oct 09 2022

web jun 14 2017 the spiritual laws of life give us the many resources to make the very best decision at any one moment read harold klemp s groundbreaking book watch a new vista of understanding open for you you ve not seen the likes of it learn how to keep in tune with your true spiritual nature

*the spiritual laws of life english edition kindle edition amazon de* - May 16 2023

web the spiritual laws of life english edition ebook klemp harold amazon de kindle store

*the spiritual laws of life english edition versión kindle* - Jun 05 2022

web lee ahora en digital con la aplicación gratuita kindle

the spirit s law of life english edition ebook kindle - Apr 03 2022

web the spirit s law of life english edition ebook austin sparks t amazon com br livros pular para conteúdo principal com br olá selecione o endereço loja kindle olá faça seu login contas e listas devoluções e pedidos carrinho todos

*the spiritual laws of life english edition kindle edition* □□□□ - Jan 12 2023

web jun 14 2017 hello sign in account lists returns orders cart

the spiritual laws of life 2010 edition open library - Jul 18 2023

web the spiritual laws of life by harold klemp 2010 eckankar edition in english 2nd ed

the spiritual laws of life english edition 2022 2013 - Mar 02 2022

web become more joyful and prosperous because these laws are also the spiritual laws of life the ones that make living worthwhile based on the natural laws that govern all creation this book destroys

the spiritual laws of life harold klemp google books - Aug 19 2023

web harold klemp eckankar 2002 spiritual life 205 pages 0 reviews reviews aren t verified but google checks for and removes fake content when it s identified there exist wonderful truths spiritual laws that nourish us one and all laws of wisdom freedom and charity or divine love

**laws of the spiritual life 1916 edition open library** - Nov 10 2022

web laws of the spiritual life by b w maturin 1916 longmans green edition in english

*the spiritual laws of life english edition ebook kindle* - Aug 07 2022

web compre the spiritual laws of life english edition de klemp harold na amazon com br confira também os ebooks mais vendidos lançamentos e livros digitais exclusivos

**laws of the spiritual life 1947 edition open library** - Feb 13 2023

web laws of the spiritual life by charles edwin schofield 1947 upper room edition in english

**the spiritual laws of life english edition format kindle** - May 04 2022

web achetez et téléchargez ebook the spiritual laws of life english edition boutique kindle eckankar amazon fr

[the spiritual laws of life harold klemp amazon com au](#) - Mar 14 2023

web the key to mastership of the spiritual path of eckankar is knowing the spiritual laws and treading the razor s edge to follow them at all times mastership allows you to move on to the next level with god realization being the ultimate goal in *the spiritual laws of life amazon co uk* - Jun 17 2023

web apr 14 2010 harold klemp the spiritual laws of life paperback illustrated 14 april 2010 by harold klemp author 4 8 64 ratings see all formats and editions kindle edition 6 25 read with our free app paperback 8 34 other new and used from 8 34 there is a newer edition of this item the spiritual exercises of eck audiobook 35 89 86

**laws of the spiritual life archive org** - Sep 20 2023

web dec 31 2014 laws of the spiritual life maturin b w basil william 1847 1915 free download borrow and streaming internet archive

**the spiritual laws of life amazon com** - Sep 08 2022

web jun 29 2010 as awakened captains of our destiny we can meet today s challenges in a more relaxed and happy way the spiritual laws of life give us the many resources to make the very best decision at any one moment read harold klemp s groundbreaking book watch a new vista of understanding open for you

*the spiritual laws of life kindle edition amazon co uk* - Apr 15 2023

web the spiritual laws of life give us the many resources to make the very best decision at any one moment read harold klemp s groundbreaking book watch a new vista of understanding open for you

[the spiritual laws of life english edition kindle ausgabe amazon de](#) - Jul 06 2022

web the spiritual laws of life english edition ebook klemp harold amazon de kindle shop

**the spirit of laws a compendium of the first english edition** - Feb 01 2022

web montesquieu s the spirit of laws is an enduring classic of social and political theory deserving a fresh reading every generation the modern reader however is likely to find a work that ran to

[loading interface goodreads](#) - Dec 11 2022

web discover and share books you love on goodreads

[simulation with arena 5th edition solution manual pdf 2023](#) - Dec 07 2022

web tayfur altiok 2010 07 26 simulation modeling and analysis with arena is a highly readable textbook which treats the essentials of the monte carlo discrete event simulation methodology and does so in the context of a popular arena simulation environment

**simulation with arena 5th edition solution manual pdf** - Oct 05 2022

web jan 7 2023 download simulation with arena 5th edition solution manual pdf book pdf free download link or read online here in pdf read online simulation with arena 5th edition solution manual pdf book pdf free download link book now all books are in clear copy here and all files are secure so don t worry about it this site is like a library you could

**simulation with arena 5th edition solution manual pdf** - Mar 10 2023

web view simulation with arena 5th edition solution manual pdf from finance misc at yonsei university simulation with arena 5th edition solution manual eventually you will unquestionably discover a upload to study

simulation with arena 5th edition solution manual free - Apr 30 2022

web for even more efficiency our assistants have access to a database of more than 50 000 manuals and user guides get my free buyer s guide simulation with arena 5th edition solution manual free painkiller editor manual john deere lr 175 manual vbox manual 3 1 4 pdf gnome pellet stove manual ovalstrapping manual sekonic l 458 manual

**simulation with arena 5th edition textbook solutions chegg** - Aug 15 2023

web unlike static pdf simulation with arena 5th edition solution manuals or printed answer keys our experts show you how to solve each problem step by step no need to wait for office hours or assignments to be graded to find out where you took a wrong turn

chapter 5 solutions simulation with arena 6th edition chegg - Jan 28 2022

web simulation with arena 6th edition isbn 13 9780073401317 isbn 0073401317 authors w david kelton rent buy this is an alternate isbn view the primary isbn for simulation with arena 6th edition textbook solutions

**simulation with arena 5th edition solution manual free issuu** - Feb 09 2023

web aug 28 2017 simulation with arena 5th edition solution manual free edition free access for simulation with arena 5th edition solution manual free edition from our huge library or simply read online

*simulation arena examples with solutions pdf prof* - Jul 02 2022

web 58 questions with answers in arena simulation software a complex garment assembly line balancing using simulation based arena simulation homework help homework pdf solutions manual for simulation with arena 6th edition by kelton simulation with arena exercise 5 5 youtube example simulation models

*exercise solutions for simulation with arena pdf* - May 12 2023

web simulation solutions petroskills create a simulation model with animation including the travel time from entrance to check in of this system run the simulation for a single replication of 16 hours to determine the average time in system number of passengers completing check in and the time average

simulation with arena 5th edition solution manual pdf course hero - Sep 04 2022

web simulation with arena 5th edition solution manual pdf from mie 360 at university of toronto

*solutions manual for simulation with arena 5th edition by kelton* - Jan 08 2023

web title simulation with arena resource solutions manual edition 5th edition author kelton sadowski swets publisher mcgraw

hill higher education table of content 1 what is simulation 2 fundamental simulation concepts 3 a guided tour through arena

4 modeling basic operations and inputs 5 modeling detailed

**chapter 3 solutions simulation with arena 5th edition chegg** - Jun 13 2023

web access simulation with arena 5th edition chapter 3 solutions now our solutions are written by chegg experts so you can

be assured of the highest quality

simulation with arena 5th edition solution manual free - Dec 27 2021

web feb 14 2018 read simulation with arena 5th edition solution manual free by e586 on issuu and browse thousands of

other publications on our platform start here

simulation with arena 5th edition solutions manual download - Aug 03 2022

web simulation with arena solutions provides a comprehensive treatment of simulation using industry standard arena

software ingersoll rand tractor 3012 owners manual download download free 68rfe service manual motorola p110 service

manual download the textbook begins by having the reader develop simple high level models and then

**simulation with arena solution manual chegg com** - Jul 14 2023

web get instant access to our step by step simulation with arena solutions manual our solution manuals are written by chegg

experts so you can be assured of the highest quality

pdf simulation with arena 5th edition studylib net - Apr 11 2023

web july 1 they developed a simulation model to evaluate possible improvement scenarios using arena simulation software

simulation with arena 5th edition textbook cheggcom simulation with arena provides a comprehensive treatment of

simulation using industry standard arena software

simulation with arena 5th edition solution manual - Nov 06 2022

web dec 8 2022 simulation with arena 5th edition solution manual 02 05 2017 developer sojung kim you can start with

model 04 03 doe check book examples unlike static pdf simulation with arena 5th edition solution manuals or printed answer

keys our experts show you how to solve each problem step by step

solution manual for simulation with arena 6th edition by kelton 07 - Mar 30 2022

web nov 7 2016 read solution manual for simulation with arena 6th edition by kelton 07 by saima on issuu and browse

thousands of other publications on our platfor

*solution manual for simulation with arena 6th edition by kelton* - Jun 01 2022

web oct 3 2022 solution manual for solutions manual for chemistry 6th edition by julia burdge ebook345 1 0 r ebooks2022  
join 10 mo ago

[simulation with arena 5th edition solution manual](#) - Feb 26 2022

web simulation with arena 5th edition solution manual showing product types 1 50 of 109 this is a great resource for people who tend to misplace important documents especially those that don't see much use

**bhai vs behan aur maa shorts youtube** - Apr 10 2023

web mere bhai ne meri maa ko aur fir mujhe choda tha bhai roj hamari chudai karta aur hum teeno ghar me bina kapdo ke he rehate the bhai roj mera aur maa ka doodh peeta tha

*maa mausi bhai aur behen ka chudai khel pdf scribd* - Mar 09 2023

web bhai vs behen aur maa part 1 bhai behen funny comedy video shortshope you like this video by delhite parulif you like this video don't forget to su

**didi ko pregnant kiya sokralnost livejournal** - May 11 2023

web jul 26 2010 by frankie naukar ne balatkar kiya hot news today 30 jun 2010 29 mar 2009 didi ko pregnant kiya sasur ne bahu ko zabardasti choda sasur ne balatkar kiya

**maa bhai behen aur paisa youtubeshorts ytshorts shorts** - Dec 06 2022

web 2 behny aur ek bhai ki kahani hello mera naam sunayana h or me haryana ki rahne wali hu ye story meri or mere bade bhai anil ki or ye sachi kahani

**maa porn maa beta indian maa videos eporner** - Jun 12 2023

web we have 88 videos with maa maa beta indian maa dost ki maa ko choda desi maa dost ki maa aur behan ko choda dost ki maa aur behan ko choda ko ko indian

**paheli bar badi didi ko achank se choda 7512a** - Aug 02 2022

web aug 22 2021 bhai behan aur raksha bandhan bhai behan ki rakhi happy raksha bandhan to everyone raksha bandhan special bhai behan ka pyar please

**bhai behan aur maa pdf download new vision** - Feb 25 2022

[behan ne chhote bhai se choot chudwa kar maja diya hindi](#) - Jan 07 2023

web aug 26 2023 maa bhai behen aur paisa youtubeshorts ytshorts shorts sonasachin 5m views 58 subscribers subscribe like share save 66 views 2 hours ago maa

**maa baap bhai behen beti aur biwi** - Dec 26 2021



web dec 12 2021 phir dono bhai gher ki taraf rawana ho gaye dono bhai aapas mein aik doosre kaohat khayal rakhte hain aur aik doosre se bohat piyaar bhi karte hain us k