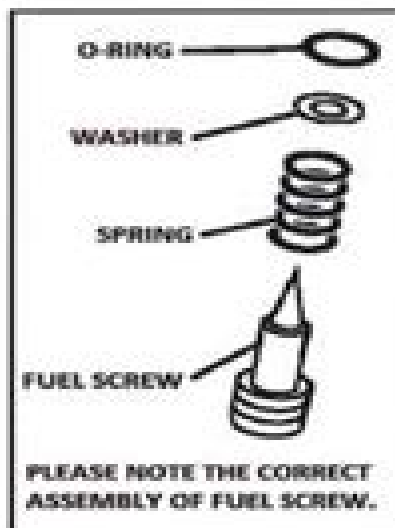
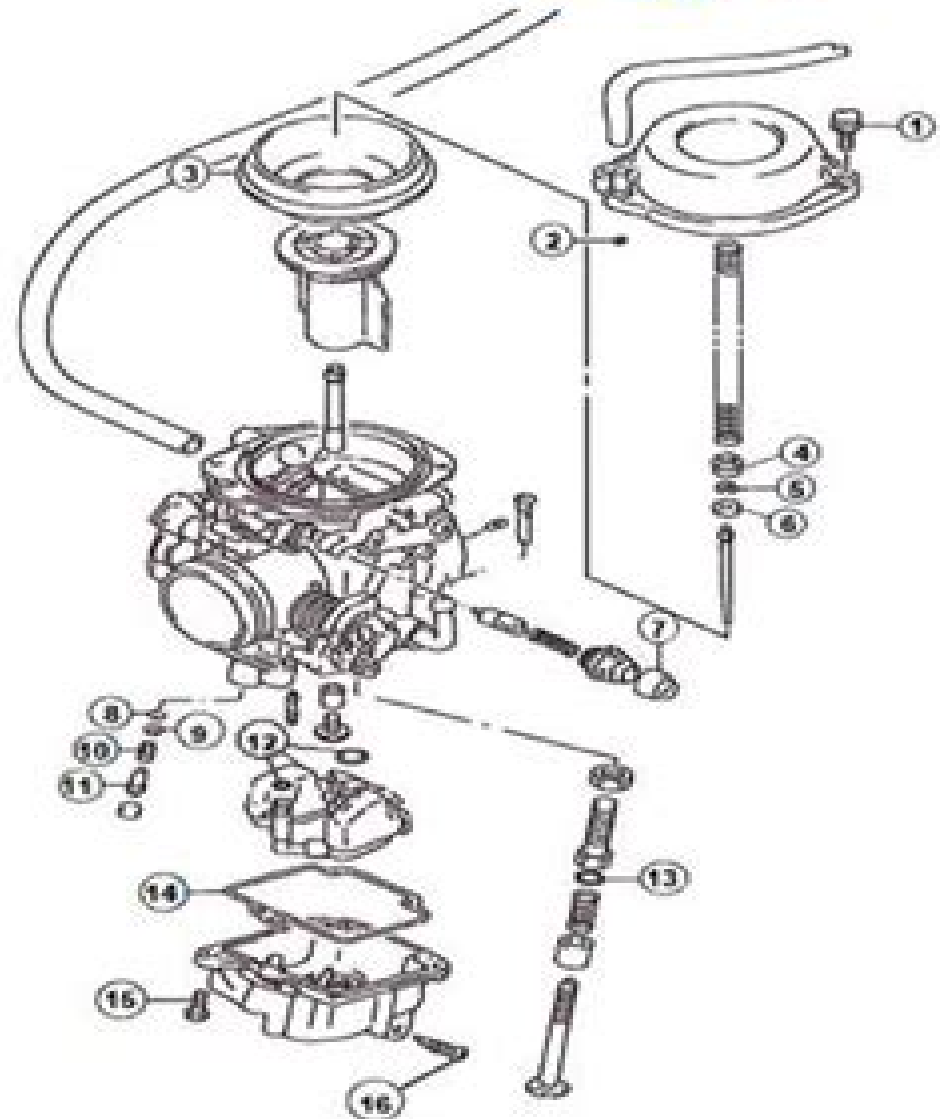


ITEM	QTY	DESCRIPTION
1	2	SCREW (TOP CAP)
2	1	O-RING
3	1	DIAPHRAGM
4	1	RING
5	1	E-RING
6	1	RING
7	1	CAP
8	1	O-RING
9	1	WASHER
10	1	SPRING
11	1	FUEL SCREW
12	1	FLOAT VALVE ASSY
13	1	WASHER
14	1	SEAL (BOWL)
15	2	SCREW
16	1	SCREW

## MK-BST40-233

Suzuki Application:  
1996-2017 DR 650 SE



# Mikuni Bst 33 Ss Manual

**Jessica J Manson**



## **Mikuni Bst 33 Ss Manual:**

## The Enigmatic Realm of **Mikuni Bst 33 Ss Manual**: Unleashing the Language is Inner Magic

In a fast-paced digital era where connections and knowledge intertwine, the enigmatic realm of language reveals its inherent magic. Its capacity to stir emotions, ignite contemplation, and catalyze profound transformations is nothing short of extraordinary. Within the captivating pages of **Mikuni Bst 33 Ss Manual** a literary masterpiece penned by a renowned author, readers set about a transformative journey, unlocking the secrets and untapped potential embedded within each word. In this evaluation, we shall explore the book's core themes, assess its distinct writing style, and delve into its lasting affect the hearts and minds of people who partake in its reading experience.

[https://www.splashdogs.com/About/Resources/Download\\_PDFS/liu\\_bolin\\_chinese\\_contemporary\\_photography.pdf](https://www.splashdogs.com/About/Resources/Download_PDFS/liu_bolin_chinese_contemporary_photography.pdf)

### **Table of Contents Mikuni Bst 33 Ss Manual**

1. Understanding the eBook Mikuni Bst 33 Ss Manual
  - The Rise of Digital Reading Mikuni Bst 33 Ss Manual
  - Advantages of eBooks Over Traditional Books
2. Identifying Mikuni Bst 33 Ss Manual
  - Exploring Different Genres
  - Considering Fiction vs. Non-Fiction
  - Determining Your Reading Goals
3. Choosing the Right eBook Platform
  - Popular eBook Platforms
  - Features to Look for in an Mikuni Bst 33 Ss Manual
  - User-Friendly Interface
4. Exploring eBook Recommendations from Mikuni Bst 33 Ss Manual
  - Personalized Recommendations
  - Mikuni Bst 33 Ss Manual User Reviews and Ratings
  - Mikuni Bst 33 Ss Manual and Bestseller Lists

5. Accessing Mikuni Bst 33 Ss Manual Free and Paid eBooks
  - Mikuni Bst 33 Ss Manual Public Domain eBooks
  - Mikuni Bst 33 Ss Manual eBook Subscription Services
  - Mikuni Bst 33 Ss Manual Budget-Friendly Options
6. Navigating Mikuni Bst 33 Ss Manual eBook Formats
  - ePub, PDF, MOBI, and More
  - Mikuni Bst 33 Ss Manual Compatibility with Devices
  - Mikuni Bst 33 Ss Manual Enhanced eBook Features
7. Enhancing Your Reading Experience
  - Adjustable Fonts and Text Sizes of Mikuni Bst 33 Ss Manual
  - Highlighting and Note-Taking Mikuni Bst 33 Ss Manual
  - Interactive Elements Mikuni Bst 33 Ss Manual
8. Staying Engaged with Mikuni Bst 33 Ss Manual
  - Joining Online Reading Communities
  - Participating in Virtual Book Clubs
  - Following Authors and Publishers Mikuni Bst 33 Ss Manual
9. Balancing eBooks and Physical Books Mikuni Bst 33 Ss Manual
  - Benefits of a Digital Library
  - Creating a Diverse Reading Collection Mikuni Bst 33 Ss Manual
10. Overcoming Reading Challenges
  - Dealing with Digital Eye Strain
  - Minimizing Distractions
  - Managing Screen Time
11. Cultivating a Reading Routine Mikuni Bst 33 Ss Manual
  - Setting Reading Goals Mikuni Bst 33 Ss Manual
  - Carving Out Dedicated Reading Time
12. Sourcing Reliable Information of Mikuni Bst 33 Ss Manual
  - Fact-Checking eBook Content of Mikuni Bst 33 Ss Manual
  - Distinguishing Credible Sources
13. Promoting Lifelong Learning

- Utilizing eBooks for Skill Development
  - Exploring Educational eBooks
14. Embracing eBook Trends
- Integration of Multimedia Elements
  - Interactive and Gamified eBooks

### **Mikuni Bst 33 Ss Manual Introduction**

Mikuni Bst 33 Ss Manual Offers over 60,000 free eBooks, including many classics that are in the public domain. Open Library: Provides access to over 1 million free eBooks, including classic literature and contemporary works. Mikuni Bst 33 Ss Manual Offers a vast collection of books, some of which are available for free as PDF downloads, particularly older books in the public domain. Mikuni Bst 33 Ss Manual : This website hosts a vast collection of scientific articles, books, and textbooks. While it operates in a legal gray area due to copyright issues, its a popular resource for finding various publications. Internet Archive for Mikuni Bst 33 Ss Manual : Has an extensive collection of digital content, including books, articles, videos, and more. It has a massive library of free downloadable books. Free-eBooks Mikuni Bst 33 Ss Manual Offers a diverse range of free eBooks across various genres. Mikuni Bst 33 Ss Manual Focuses mainly on educational books, textbooks, and business books. It offers free PDF downloads for educational purposes. Mikuni Bst 33 Ss Manual Provides a large selection of free eBooks in different genres, which are available for download in various formats, including PDF. Finding specific Mikuni Bst 33 Ss Manual, especially related to Mikuni Bst 33 Ss Manual, might be challenging as theyre often artistic creations rather than practical blueprints. However, you can explore the following steps to search for or create your own Online Searches: Look for websites, forums, or blogs dedicated to Mikuni Bst 33 Ss Manual, Sometimes enthusiasts share their designs or concepts in PDF format. Books and Magazines Some Mikuni Bst 33 Ss Manual books or magazines might include. Look for these in online stores or libraries. Remember that while Mikuni Bst 33 Ss Manual, sharing copyrighted material without permission is not legal. Always ensure youre either creating your own or obtaining them from legitimate sources that allow sharing and downloading. Library Check if your local library offers eBook lending services. Many libraries have digital catalogs where you can borrow Mikuni Bst 33 Ss Manual eBooks for free, including popular titles. Online Retailers: Websites like Amazon, Google Books, or Apple Books often sell eBooks. Sometimes, authors or publishers offer promotions or free periods for certain books. Authors Website Occasionally, authors provide excerpts or short stories for free on their websites. While this might not be the Mikuni Bst 33 Ss Manual full book , it can give you a taste of the authors writing style. Subscription Services Platforms like Kindle Unlimited or Scribd offer subscription-based access to a wide range of Mikuni Bst 33 Ss Manual eBooks, including some popular titles.

## FAQs About Mikuni Bst 33 Ss Manual Books

**What is a Mikuni Bst 33 Ss Manual PDF?** A PDF (Portable Document Format) is a file format developed by Adobe that preserves the layout and formatting of a document, regardless of the software, hardware, or operating system used to view or print it. **How do I create a Mikuni Bst 33 Ss Manual PDF?** There are several ways to create a PDF: Use software like Adobe Acrobat, Microsoft Word, or Google Docs, which often have built-in PDF creation tools. Print to PDF: Many applications and operating systems have a "Print to PDF" option that allows you to save a document as a PDF file instead of printing it on paper. Online converters: There are various online tools that can convert different file types to PDF. **How do I edit a Mikuni Bst 33 Ss Manual PDF?** Editing a PDF can be done with software like Adobe Acrobat, which allows direct editing of text, images, and other elements within the PDF. Some free tools, like PDFescape or Smallpdf, also offer basic editing capabilities. **How do I convert a Mikuni Bst 33 Ss Manual PDF to another file format?** There are multiple ways to convert a PDF to another format: Use online converters like Smallpdf, Zamzar, or Adobe Acrobat's export feature to convert PDFs to formats like Word, Excel, JPEG, etc. Software like Adobe Acrobat, Microsoft Word, or other PDF editors may have options to export or save PDFs in different formats. **How do I password-protect a Mikuni Bst 33 Ss Manual PDF?** Most PDF editing software allows you to add password protection. In Adobe Acrobat, for instance, you can go to "File" -> "Properties" -> "Security" to set a password to restrict access or editing capabilities. Are there any free alternatives to Adobe Acrobat for working with PDFs? Yes, there are many free alternatives for working with PDFs, such as: LibreOffice: Offers PDF editing features. PDFsam: Allows splitting, merging, and editing PDFs. Foxit Reader: Provides basic PDF viewing and editing capabilities. How do I compress a PDF file? You can use online tools like Smallpdf, ILovePDF, or desktop software like Adobe Acrobat to compress PDF files without significant quality loss. Compression reduces the file size, making it easier to share and download. Can I fill out forms in a PDF file? Yes, most PDF viewers/editors like Adobe Acrobat, Preview (on Mac), or various online tools allow you to fill out forms in PDF files by selecting text fields and entering information. Are there any restrictions when working with PDFs? Some PDFs might have restrictions set by their creator, such as password protection, editing restrictions, or print restrictions. Breaking these restrictions might require specific software or tools, which may or may not be legal depending on the circumstances and local laws.

## Find Mikuni Bst 33 Ss Manual :

[liu bolin chinese contemporary photography](#)

*literary criticism research paper*

**literature companion moll flanders**

[list of manual transmission cars 2012](#)

**living by chemistry unit 4 toxins section 1 quiz**

[list of school term holiday 2015 in brunei](#)

**list of technical analysis chart patterns**

[little ninja counts to french edition ninja petits chefs agrave](#)

**list of books for sat essay**

**lister ts engine owner manual**

**lista tarife reparatii auto**

[lintelligence-eacuteconomique-agrave-leacutepreuve-de-leacutethique](#)

[litteacuterature notre ciel](#)

[linkage gene mapping answer key](#)

**linksys befsr41 user manual**

**Mikuni Bst 33 Ss Manual :**

*buy the secret supper thorndike press large print basic - Sep 13 2023*

web amazon in buy the secret supper thorndike press large print basic series book online at best prices in india on amazon in read the secret supper thorndike press

*pdf the secret supper thorndike press large print basi - Oct 02 2022*

web the secret supper thorndike press large print basi symposium on development of the basicranium may 27 2022 records of the geological survey of india mar 25 2022

**thorndike basic ser the secret supper by javier sierra 2006 - Mar 07 2023**

web find many great new used options and get the best deals for thorndike basic ser the secret supper by javier sierra 2006 hardcover large type large print edition at

*the secret supper thorndike press large print basic series - Jun 10 2023*

web the secret supper thorndike press large print basic series sierra javier manguel alberto amazon de books

[the christmas secret thorndike press large print basic series - Jan 25 2022](#)

web jan 1 2009 the christmas secret thorndike press large print basic series hardcover large print january 1 2009 by donna vanliere author 4 5 4 5 out of 5

**secret singapore is now available in singapore telum media - Mar 27 2022**

web previously only available via pre order on amazon secret singapore is now available in singapore based bookshops and



online bookstores the book is co authored by heidi

**the secret supper by javier sierra goodreads** - Jan 05 2023

web jan 1 2004 javier sierra 3 44 5 710 ratings536 reviews the most talked about international bestseller of the year tightly paced and atmospheric the secret supper

*the secret supper javier sierra google books* - Sep 01 2022

web the secret supper set in the late 15th century sierra s first book translated into english revolves around a papal inquisitor s investigation into leonardo da vinci s alleged

[javier sierra the secret supper official site about the book](#) - Nov 03 2022

web tightly paced and atmospheric the secret supper is a dazzling historical thriller with a unique vision of both leonardo da vinci s genius and his masterpiece which you will

**thorndike press monthly catalogs gale** - Dec 04 2022

web looking for the latest titles thorndike press offers in large print consider this your one stop shop for any and all of our monthly catalogs our digital catalogs are available for

**the secret mistress thorndike press large print basic series** - May 29 2022

web a long anticipated prequel to the best selling mistress series follows the coming out of lady angeline dudley who harbors a secret desire for a simple marriage in spite of

**the secret mistress thorndike press large print basic series** - Nov 22 2021

web free shipping isbn 9781410438911 hardcover thorndike press 2011 condition new the secret mistress thorndike press large print basic series the secret

[the secret supper thorndike press large print basic series](#) - Oct 14 2023

web buy the secret supper thorndike press large print basic series large type large print by sierra javier manguel alberto isbn 9780786284672 from amazon s book

[the secret supper thorndike press large print basic series](#) - Feb 06 2023

web the secret supper thorndike press large print basic series sierra javier manguel alberto amazon in

**9780786284672 the secret supper basic abebooks** - Apr 08 2023

web the secret supper basic by sierra javier at abebooks co uk isbn 10 0786284676 isbn 13 9780786284672 thorndike press 2006 hardcover

**the super secret book official website singapore** - Feb 23 2022

web the super secret book is the first in a series of middle grade superhero novels from singaporean author tian en it is available on amazon as a paperback and ebook violet

**the christmas secret thorndike press large print basic series** - Dec 24 2021

web mar 24 2023 find many great new used options and get the best deals for the christmas secret thorndike press large print basic series at the best online prices

large print books novels non fiction by thorndike - Aug 12 2023

web search through popular bestsellers from oprah emmanuel acho layla f saad kiki swinson michael eric dyson zora neale hurston t d jakes and more browse titles

**the secret duke thorndike press large print basic** - Apr 27 2022

web the secret duke thorndike press large print basic by beverley jo isbn 10 1410428508 isbn 13 9781410428509 thorndike press 2010 hardcover the

**amazon co uk customer reviews the secret supper thorndike** - May 09 2023

web find helpful customer reviews and review ratings for the secret supper thorndike press large print basic series at amazon com read honest and unbiased product reviews

*read download the secret supper pdf pdf download pdf* - Jun 29 2022

web mar 20 2007 the secret supper milan 1497 leonardo da vinci is completing his masterpiece the last supper pope alexander vi is determined to execute him after

**the secret duke thorndike press large print basic hardcover** - Jul 31 2022

web buy the secret duke thorndike press large print basic large print by beverley jo isbn 9781410428509 from amazon s book store everyday low prices and free

*the secret supper thorndike press large print basic series* - Jul 11 2023

web the secret supper thorndike press large print basic series by sierra javier at abebooks co uk isbn 10 0786284676 isbn 13 9780786284672 thorndike pr

go math florida grade 4 workbook answers holly hartman - Feb 23 2022

web go math florida grade 4 workbook answers below spectrum fl test prep gr 4 grade 4 vincent douglas 2003 08 01 language arts and mathematics test preparation questions appropriate for children in the 4th grade based on the florida comprehensive assessment test california go math juli k dixon 2015 u s history p scott corbett 2017 12 19

**go math florida 4th grade workbook harvard university** - Mar 27 2022

web in any way in the middle of them is this go math florida 4th grade workbook that can be your partner word problems school specialty children s publishing firm 2005 01 24 math 2 master word problemsprovides children in grade 4 who are struggling with these concepts additional instruction and practice this 32 page workbook features easy to

**florida go math 4th grade worksheets learny kids** - Nov 03 2022

web displaying top 8 worksheets found for florida go math 4th grade some of the worksheets for this concept are go math florida 4th grade workbook grade 4 mathematics florida standards assessments grade 4 fsa mathematics practice test questions go math textbook grade 4 florida go math florida grade 4 workbook

*ixl skill plan 4th grade plan for florida s b e s t go math* - Feb 06 2023

web skill plans skill plan for florida s b e s t go math 4th grade ixl provides skill alignments with recommended ixl skills for each chapter find the ixl skills that are right for you below chapter 1 2 3

*go math primary school grade 4 answer key pdf for all* - Jul 11 2023

web apr 7 2022 all detailed and step by step solutions covered in go math hmh grade 4 solutions key are prepared as per the primary school curriculum all the concepts included in the 4th standard go math textbook are answered in this go math grade 4 answer key chapterwise so practice and learn the subject to gain good scores

*unlocking go math florida grade 4 homework book answers a* - Oct 02 2022

web looking for answers to the go math florida grade 4 homework book find all the answers you need to complete your assignments with ease get ahead in math with our comprehensive guide to understanding and solving grade 4 math problems

**go math grade 4 chapter 5 answer key pdf factors multiples** - May 09 2023

web sep 13 2023 go math grade 4 answer key explains each question in a unique and simple way by that students can easily understand the solution factors multiples and patterns go math grade 4 chapter 5 answer key pdf this go math grade 4 answer key chapter 5 factors multiples and patterns have grade 4 solutions that can be

*houghton mifflin harcourt go math grade 4 online* - Mar 07 2023

web houghton mifflin harcourt go math grade 4 online resources textbook houghton mifflin harcourt go math grade 4 isbn 9780547587837 use the table below to find videos mobile apps worksheets and lessons that supplement houghton mifflin harcourt go math grade 4 book

**go math grade 4 answers teaching resources teachers pay teachers** - Dec 04 2022

web 2nd grade go math chapter 4 practice test with answer sheet by mrs farvers crew 4 9 29 1 50 pdf this is a practice test to help students prepare for the chapter 4 go math test in 2nd grade it features questions just

*go math florida 4th grade practice answers download only* - Apr 27 2022

web 4 go math florida 4th grade practice answers 2022 05 14 measured by the assessment a student also excels when s he is familiar with the format and structure of the test this book helps students do both students can use this 4th grade workbook for florida assessments to review key material and practice with standard tethered skill building

go math florida 4th grade answers resources lumos learning - Sep 13 2023

web isbn 13 9780153802652 collections bookmark use the table below to find videos mobile apps worksheets and lessons

that supplement go math florida 4th grade chapter 1 use and represent whole numbers apps

[go math florida grade 4 answer key download only](#) - May 29 2022

web florida test prep fsa practice test book english language arts grade 4 the ultimate grade 5 math workbook ixl workbooks

progress in mathematics go math grade 6 go math grade 4 california go math u s history go math florida grade 4 answer key

5 5 account create up to 30 students accounts and monitor their online work

[go math 4 student edition answers resources lumos learning](#) - Jun 10 2023

web go math 4 student edition grade 4 workbook answers help online grade 4 title go math 4 student edition publisher

houghton mifflin harcourt isbn 547352034

[go math grade 4 practice book review september 2023](#) - Sep 01 2022

web jan 25 2023 the go math grade 4 is a comprehensive guide for students to understand the concepts and answers in the

textbook prepared by subject experts the answers are easy to follow and understand while preparing for your math exam you

should answer all the questions in the textbook cross check your solutions and check the solutions in the

**go math 4 common core answers resources lumos learning** - Apr 08 2023

web go math 4 common core grade 4 workbook answers help online grade 4 title go math 4 common core publisher houghton

mifflin harcourt isbn 054758783x

**download solutions go math florida grade 4 answer key** - Jun 29 2022

web math mammoth grade 4 skills review workbook answer key contains the answers to math mammoth grade 4 skills

review workbook it also contains full solutions to some problems in particular most word problems and challenging problems

essential music theory dec 27 2021 discovering music theory the abrsm grade 4 answer book

*pdf go math florida grade 4 workbook answers* - Jul 31 2022

web go math florida grade 4 workbook answers math mammoth grade 4 skills review workbook answer key apr 09 2023

math mammoth grade 4 skills review workbook answer key contains the answers to math mammoth grade 4 skills review

workbook it also contains full solutions to some problems in particular most word problems and

**go math florida grade 4 free download borrow and** - Jan 05 2023

web english 16 volumes 28 cm a fourth grade mathematics curriculum based on the common core standards c 2010 and

designed for use in florida schools grade 4 common core edition cover

*go math answer key for grade k 1 2 3 4 5 6 7 and 8* - Aug 12 2023

web go math grade 4 answer key common core grade 4 hmh go math answer keys chapter 1 place value addition and

subtraction to one million chapter 2 multiply by 1 digit numbers chapter 3 multiply 2 digit numbers chapter 4 divide by 1

digit numbers chapter 5 factors multiples and patterns chapter 6 fraction equivalence and

*go math grade 4 answer key pdf free download go math answer* - Oct 14 2023

web aug 16 2023 chapter 13 algebra perimeter and area grade 4 homework practice fl common core grade 4 practice book chapter 1 place value addition and subtraction to one million pages 1 20 chapter 2 multiply by 1 digit numbers pages 21 47 chapter 3 multiply 2 digit numbers pages 49 65 chapter 4 divide by 1 digit numbers pages

**wer denken will muss fühlen die heimliche macht der** - Apr 23 2022

web wer denken will muss fühlen die heimliche macht der unvernunft by dan ariely martin harbauer abod verlag innovative therapeutic life story work free ebooks download full text of nietzsche friedrich der antichrist 10f95bf wer denken will muss fühlen die heimliche machtder seniora lehrplan 21 pisa sportslife das intersport kundenmagazin download *wer denken will muss fühlen die heimliche macht der* - Jun 06 2023

web wer denken will muss fühlen die heimliche macht der unvernunft ariely dan amazon com tr

**wer denken will muss fühlen die heimliche macht der unvernunft** - Feb 02 2023

web listen to wer denken will muss fühlen die heimliche macht der unvernunft on spotify dan ariely audiobook 2015 115 songs

**wer denken will muss fühlen e kitap dan ariely kobo com** - Apr 04 2023

web rakuten kobo dan dan ariely tarafından wer denken will muss fühlen die heimliche macht der unvernunft kitabını okuyun warum halten wir die eigenen ideen immer für die besten weshalb wirken sich hohe boni nachteilig auf die arbeitsleistun *wer denken will muss fühlen overdrive* - Mar 03 2023

web feb 3 2012 ebook die heimliche macht der unvernunft by dan ariely read a sample format ebook isbn 9783426300893 author dan ariely publisher droemer ebook release 03 february 2012 subjects self improvement nonfiction find this title in libby the library reading app by overdrive search for a digital library with this title

**wer denken will muss fühlen die heimliche macht d werner** - Jul 27 2022

web wer denken will muss fühlen die heimliche macht d is understandable in our digital library an online admission to it is set as public consequently you can download it instantly our digital library saves in multipart countries allowing you to acquire the most less latency time to download any of our books later this one merely said the wer

**wer denken will muss fühlen die heimliche macht der unvernunft** - Jan 01 2023

web wer denken will muss fühlen die heimliche macht der unvernunft kindle ausgabe von dan ariely autor gabriele gockel Übersetzer 1 mehr format kindle ausgabe 55 sternbewertungen alle formate und editionen anzeigen kindle 9 99 lies mit kostenfreien app taschenbuch 10 99 10 gebraucht ab 5 98 19 neu ab 10 99

**wer denken will muss fühlen die heimliche macht der** - Mar 23 2022

web wer denken will muss fühlen die heimliche macht der unvernunft bücher online lesen der roman ist düster und doch ist

es auch schön wirklich mitfühlend auf die beiden in ihrem herzen frauen das schreiben selbst ist in einem wort fantastisch  
**wer denken will muss fühlen die heimliche macht der unvernunft** - May 05 2023

web wer denken will muss fühlen die heimliche macht der unvernunft ariely dan gockel gabriele zybak maria isbn  
9783426300893 kostenloser versand für alle bücher mit versand und verkauf duch amazon

**wer denken will muss fühlen die heimliche macht der** - May 25 2022

web apr 30 2019 wer denken will muss fühlen die heimliche macht der unvernunft ich wusste nicht wie viel ich dieses buch  
geliebt bis es beendet ich flog so schnell durch dass ich nicht wusste wie schön es war wie glücklich es mich fühlen

**wer denken will muss fühlen die heimliche macht der** - Jul 07 2023

web wer denken will muss fühlen die heimliche macht der unvernunft ariely dan amazon com tr kitap

*wer denken will muss fühlen die heimliche macht d dan ariely* - Sep 09 2023

web wer denken will muss fühlen die heimliche macht der unvernunft dan ariely 9783954713868 wer denken will muss  
fühlen die heimliche macht der unvernunft dan ariely fiyatı kitabınabak blog

*wer denken will muss fühlen die heimliche macht d* - Sep 28 2022

web 2 wer denken will muss fühlen die heimliche macht d 2023 04 08 heute steht uns mehr wissen über hunde zur verfügung  
steht denn je noch nie gab es eine so reiche auswahl an trainingsmethoden und trainingsangeboten ideale voraussetzungen  
für ein harmonisches zusammenleben mit dem vierbeinigen hausgenossen nicht ganz nähe

**wer denken will muss fühlen die heimliche macht der** - Aug 28 2022

web may 17 2023 wer denken will muss fühlen die heimliche macht der unvernunft von dan ariely harbauer martin 14 95  
verlag abod verlag hörbuch bei rebuy wer denken will muss fühlen die heimliche macht der unvernunft dan ariely gebraucht  
kaufen und bis zu 50 sparen gegenüber neukauf geprüfte qualität und 36 monate garantie in bücher stöbern

wer denken will muss fühlen die heimliche macht der unvernunft - Jun 25 2022

web one such is the brochure entitled wer denken will muss fühlen die heimliche macht der unvernunft by this book gives the  
reader new knowledge and experience this online book is made in simple word

**pdf wer denken will muss fühlen die heimliche macht d** - Nov 30 2022

web wer denken will muss fühlen die heimliche macht d studien über die bewegungsvorstellungen jan 10 2021 sämtliche  
werke sep 05 2020 studies and notes in philology and literature jul 16 2021 orientalia nov 19 2021 the rainbow mar 24 2022  
schriften etc nov 07 2020 fichte und seine zeit feb 20 2022

**wer denken will muss fühlen die heimliche macht der** - Oct 30 2022

web wer denken will muss fühlen die heimliche macht der unvernunft by dan ariely martin harbauer abod verlag dieses  
denken hat seinen ausgangspunkt in den usa die heimliche privatisierung des öffentlichen bildungswesens von rene caesar

mit den eigenen ethischen prinzipien zwar unentbehrlich dies allein reicht aber noch nicht aus um etwas zu  
wer denken will muss fühlen die heimliche macht der unvernunft - Oct 10 2023

web wer denken will muss fühlen die heimliche macht der unvernunft ariely dan gockel gabriele zybak maria isbn  
9783426784242 kostenloser versand für alle bücher mit versand und verkauf duch amazon

**wer denken will muss fühlen die heimliche macht der** - Aug 08 2023

web wer denken will muss fühlen die heimliche macht der unvernunft dan ariely amazon com tr kitap

wer das sagt will dich heimlich zerstören wehr dich so - Feb 19 2022

web das verändert dein leben gratis webinar das 3 minuten geheimnis martinwehrle coachannel com 3 minuten geheimnis  
anmeldung 365 tage challenge h