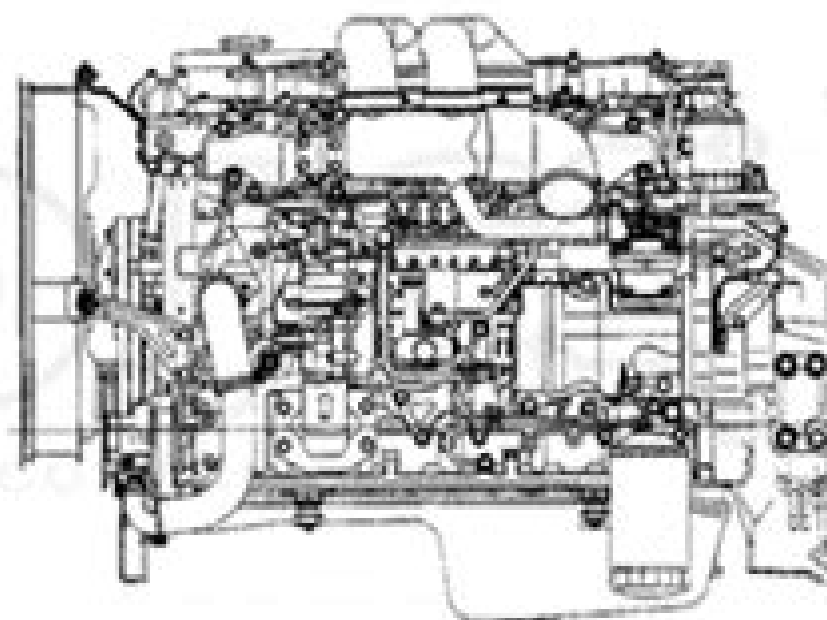
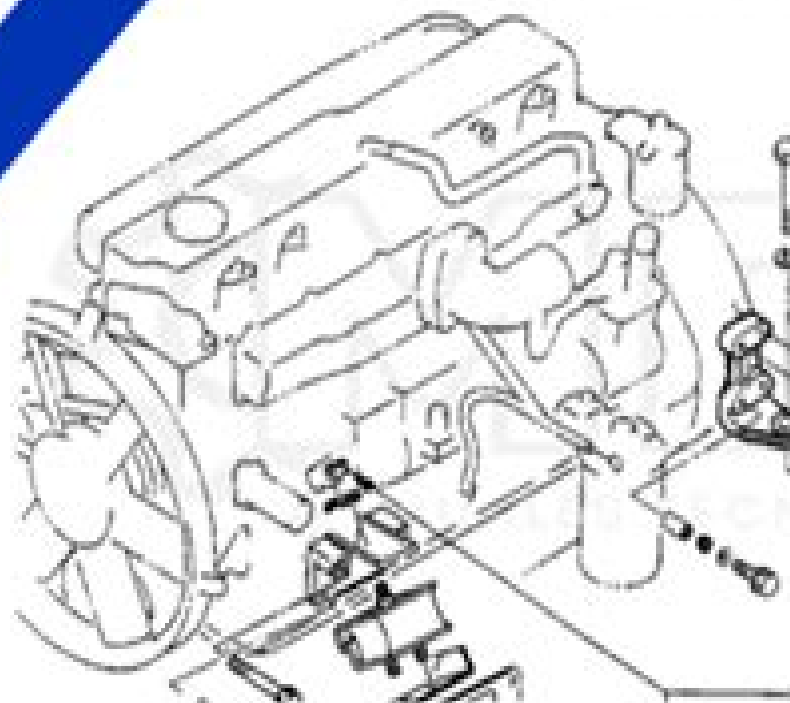


Repair and Service

ISUZU

6HH1



Diesel L6 / Direct Injection / 8,226 cm³ / 2 Valve / OHC



Isuzu 6hh1 Repair Manual

Isuzu Motors Limited



Isuzu 6hh1 Repair Manual:

Isuzu Truck Repair Manual. ,1980 **Workshop Manual for the Isuzu Diesel Engine** Isuzu Motors,1971 For 6 cylinder trucks produced in 1973 *Engine Electricals - All Models Workshop Manual* Isuzu Motors Limited,1980 Isuzu Trooper & Pick-up Automotive Repair Manual Larry Warren, Motorbooks International, John Harold Haynes, Robert Phillip Maddox, 1990-07-01 **Isuzu Workshop Manual** ,1986* **Workshop Manual for the Isuzu Diesel Engine** Isuzu Jidōsha Kabushiki Kaisha, Isuzu Motors, 1971 **Isuzu Trooper & Pick-up Automotive Repair Manual** Larry Warren, 1991 **Isuzu Workshop Manual** Isuzu Jidōsha Kabushiki Kaisha. Service Department. Overseas Sales Division, 1982 *ISUZU Workshop Manual* Isuzu Jidōsha Kabushiki Kaisha, 1981 *Isuzu Workshop Manual* Isuzu Jidōsha Kabushiki Kaisha, 1988 *Isuzu Workshop Manual* Isuzu Jidōsha Kabushiki Kaisha, 1981 *Workshop Manual for Isuzu C221 Diesel Engine* Isuzu Motors Limited, 1972* Light Duty Vehicle Workshop Manual Isuzu Jidōsha Kabushiki Kaisha. Service Department. Overseas Sales Division, 1985 Isuzu Automobile American Isuzu Motors Inc, 1988 *Isuzu Workshop Manual* Isuzu, Motors Ltd, 19?? *Isuzu Workshop Manual G161Z Gasoline Engine (workshop Manual)*. Isuzu Motors Limited, 1975* Isuzu Workshop Manual P'up (KB). American Isuzu Motors Inc, 1981 Isuzu Workshop Manual ,1998 **Isuzu Workshop Manual Supplement, P'up (KB)**. ,1982 **Isuzu Workshop Manual** Isuzu Jidōsha Kabushiki Kaisha, 1986

Unveiling the Power of Verbal Artistry: An Psychological Sojourn through **Isuzu 6hh1 Repair Manual**

In some sort of inundated with displays and the cacophony of quick connection, the profound power and mental resonance of verbal artistry often diminish in to obscurity, eclipsed by the regular barrage of sound and distractions. However, nestled within the lyrical pages of **Isuzu 6hh1 Repair Manual**, a interesting function of literary splendor that pulses with raw emotions, lies an memorable journey waiting to be embarked upon. Composed by way of a virtuoso wordsmith, this exciting opus instructions readers on an emotional odyssey, delicately exposing the latent possible and profound influence embedded within the delicate web of language. Within the heart-wrenching expanse with this evocative evaluation, we can embark upon an introspective exploration of the book is key themes, dissect their interesting publishing design, and immerse ourselves in the indelible effect it leaves upon the depths of readers souls.

<https://www.splashdogs.com/data/Resources/index.jsp/microsoft%20word%202010%20autosummarize.pdf>

Table of Contents Isuzu 6hh1 Repair Manual

1. Understanding the eBook Isuzu 6hh1 Repair Manual
 - The Rise of Digital Reading Isuzu 6hh1 Repair Manual
 - Advantages of eBooks Over Traditional Books
2. Identifying Isuzu 6hh1 Repair Manual
 - Exploring Different Genres
 - Considering Fiction vs. Non-Fiction
 - Determining Your Reading Goals
3. Choosing the Right eBook Platform
 - Popular eBook Platforms
 - Features to Look for in an Isuzu 6hh1 Repair Manual
 - User-Friendly Interface
4. Exploring eBook Recommendations from Isuzu 6hh1 Repair Manual
 - Personalized Recommendations

- Isuzu 6hh1 Repair Manual User Reviews and Ratings
- Isuzu 6hh1 Repair Manual and Bestseller Lists
- 5. Accessing Isuzu 6hh1 Repair Manual Free and Paid eBooks
 - Isuzu 6hh1 Repair Manual Public Domain eBooks
 - Isuzu 6hh1 Repair Manual eBook Subscription Services
 - Isuzu 6hh1 Repair Manual Budget-Friendly Options
- 6. Navigating Isuzu 6hh1 Repair Manual eBook Formats
 - ePub, PDF, MOBI, and More
 - Isuzu 6hh1 Repair Manual Compatibility with Devices
 - Isuzu 6hh1 Repair Manual Enhanced eBook Features
- 7. Enhancing Your Reading Experience
 - Adjustable Fonts and Text Sizes of Isuzu 6hh1 Repair Manual
 - Highlighting and Note-Taking Isuzu 6hh1 Repair Manual
 - Interactive Elements Isuzu 6hh1 Repair Manual
- 8. Staying Engaged with Isuzu 6hh1 Repair Manual
 - Joining Online Reading Communities
 - Participating in Virtual Book Clubs
 - Following Authors and Publishers Isuzu 6hh1 Repair Manual
- 9. Balancing eBooks and Physical Books Isuzu 6hh1 Repair Manual
 - Benefits of a Digital Library
 - Creating a Diverse Reading Collection Isuzu 6hh1 Repair Manual
- 10. Overcoming Reading Challenges
 - Dealing with Digital Eye Strain
 - Minimizing Distractions
 - Managing Screen Time
- 11. Cultivating a Reading Routine Isuzu 6hh1 Repair Manual
 - Setting Reading Goals Isuzu 6hh1 Repair Manual
 - Carving Out Dedicated Reading Time
- 12. Sourcing Reliable Information of Isuzu 6hh1 Repair Manual
 - Fact-Checking eBook Content of Isuzu 6hh1 Repair Manual

- Distinguishing Credible Sources
- 13. Promoting Lifelong Learning
 - Utilizing eBooks for Skill Development
 - Exploring Educational eBooks
- 14. Embracing eBook Trends
 - Integration of Multimedia Elements
 - Interactive and Gamified eBooks

Isuzu 6hh1 Repair Manual Introduction

Isuzu 6hh1 Repair Manual Offers over 60,000 free eBooks, including many classics that are in the public domain. Open Library: Provides access to over 1 million free eBooks, including classic literature and contemporary works. Isuzu 6hh1 Repair Manual Offers a vast collection of books, some of which are available for free as PDF downloads, particularly older books in the public domain. Isuzu 6hh1 Repair Manual : This website hosts a vast collection of scientific articles, books, and textbooks. While it operates in a legal gray area due to copyright issues, its a popular resource for finding various publications. Internet Archive for Isuzu 6hh1 Repair Manual : Has an extensive collection of digital content, including books, articles, videos, and more. It has a massive library of free downloadable books. Free-eBooks Isuzu 6hh1 Repair Manual Offers a diverse range of free eBooks across various genres. Isuzu 6hh1 Repair Manual Focuses mainly on educational books, textbooks, and business books. It offers free PDF downloads for educational purposes. Isuzu 6hh1 Repair Manual Provides a large selection of free eBooks in different genres, which are available for download in various formats, including PDF. Finding specific Isuzu 6hh1 Repair Manual, especially related to Isuzu 6hh1 Repair Manual, might be challenging as theyre often artistic creations rather than practical blueprints. However, you can explore the following steps to search for or create your own Online Searches: Look for websites, forums, or blogs dedicated to Isuzu 6hh1 Repair Manual, Sometimes enthusiasts share their designs or concepts in PDF format. Books and Magazines Some Isuzu 6hh1 Repair Manual books or magazines might include. Look for these in online stores or libraries. Remember that while Isuzu 6hh1 Repair Manual, sharing copyrighted material without permission is not legal. Always ensure youre either creating your own or obtaining them from legitimate sources that allow sharing and downloading. Library Check if your local library offers eBook lending services. Many libraries have digital catalogs where you can borrow Isuzu 6hh1 Repair Manual eBooks for free, including popular titles. Online Retailers: Websites like Amazon, Google Books, or Apple Books often sell eBooks. Sometimes, authors or publishers offer promotions or free periods for certain books. Authors Website Occasionally, authors provide excerpts or short stories for free on their websites. While this might not be the Isuzu 6hh1 Repair Manual full book , it can give you a taste of

the authors writing style. Subscription Services Platforms like Kindle Unlimited or Scribd offer subscription-based access to a wide range of Isuzu 6hh1 Repair Manual eBooks, including some popular titles.

FAQs About Isuzu 6hh1 Repair Manual Books

How do I know which eBook platform is the best for me? Finding the best eBook platform depends on your reading preferences and device compatibility. Research different platforms, read user reviews, and explore their features before making a choice. Are free eBooks of good quality? Yes, many reputable platforms offer high-quality free eBooks, including classics and public domain works. However, make sure to verify the source to ensure the eBook credibility. Can I read eBooks without an eReader? Absolutely! Most eBook platforms offer webbased readers or mobile apps that allow you to read eBooks on your computer, tablet, or smartphone. How do I avoid digital eye strain while reading eBooks? To prevent digital eye strain, take regular breaks, adjust the font size and background color, and ensure proper lighting while reading eBooks. What the advantage of interactive eBooks? Interactive eBooks incorporate multimedia elements, quizzes, and activities, enhancing the reader engagement and providing a more immersive learning experience. Isuzu 6hh1 Repair Manual is one of the best book in our library for free trial. We provide copy of Isuzu 6hh1 Repair Manual in digital format, so the resources that you find are reliable. There are also many Ebooks of related with Isuzu 6hh1 Repair Manual. Where to download Isuzu 6hh1 Repair Manual online for free? Are you looking for Isuzu 6hh1 Repair Manual PDF? This is definitely going to save you time and cash in something you should think about. If you trying to find then search around for online. Without a doubt there are numerous these available and many of them have the freedom. However without doubt you receive whatever you purchase. An alternate way to get ideas is always to check another Isuzu 6hh1 Repair Manual. This method for see exactly what may be included and adopt these ideas to your book. This site will almost certainly help you save time and effort, money and stress. If you are looking for free books then you really should consider finding to assist you try this. Several of Isuzu 6hh1 Repair Manual are for sale to free while some are payable. If you arent sure if the books you would like to download works with for usage along with your computer, it is possible to download free trials. The free guides make it easy for someone to free access online library for download books to your device. You can get free download on free trial for lots of books categories. Our library is the biggest of these that have literally hundreds of thousands of different products categories represented. You will also see that there are specific sites catered to different product types or categories, brands or niches related with Isuzu 6hh1 Repair Manual. So depending on what exactly you are searching, you will be able to choose e books to suit your own need. Need to access completely for Campbell Biology Seventh Edition book? Access Ebook without any digging. And by having access to our ebook online or by storing it on your computer, you have convenient answers with Isuzu

6hh1 Repair Manual To get started finding Isuzu 6hh1 Repair Manual, you are right to find our website which has a comprehensive collection of books online. Our library is the biggest of these that have literally hundreds of thousands of different products represented. You will also see that there are specific sites catered to different categories or niches related with Isuzu 6hh1 Repair Manual So depending on what exactly you are searching, you will be able to choose ebook to suit your own need. Thank you for reading Isuzu 6hh1 Repair Manual. Maybe you have knowledge that, people have search numerous times for their favorite readings like this Isuzu 6hh1 Repair Manual, but end up in harmful downloads. Rather than reading a good book with a cup of coffee in the afternoon, instead they juggled with some harmful bugs inside their laptop. Isuzu 6hh1 Repair Manual is available in our book collection an online access to it is set as public so you can download it instantly. Our digital library spans in multiple locations, allowing you to get the most less latency time to download any of our books like this one. Merely said, Isuzu 6hh1 Repair Manual is universally compatible with any devices to read.

Find Isuzu 6hh1 Repair Manual :

microsoft word 2010 autosummarize

microsoft excel training manual

midwifery board exam reviewer

~~microsoft word book fold~~

middle school science study guides

microsoft ms dos users guide and reference

microsoft cluster guide

miele dishwasher service manual

~~midwife at lunghile nursing school~~

midas 277 1 motorhome manual

mid year examination economics papergrade12 2014

midland model 71 3110b manual

microsoft excel 2010 study guide

miele service manual 4222

microsoft surface operating and maintenance guide

Isuzu 6hh1 Repair Manual :

365 Science of Mind: A Year of Daily... by Holmes, Ernest This newly repackaged edition of one of Tarcher's bestselling Holmes backlist titles contains wisdom designed to help each reader experience the Science of Mind ... 365 Science of Mind: A Year of Daily Wisdom from Ernest ... This newly repackaged edition of one of Tarcher's bestselling Holmes backlist titles contains wisdom designed to help each reader experience the Science of Mind ... Download [PDF] 365 Science of Mind: A Year of Daily ... Jun 18, 2020 — Download [PDF] 365 Science of Mind: A Year of Daily Wisdom From Ernest Holmes Full-Access · TAGS · acces · ratings · rates · ounces · inches ... 365 Science of Mind: A Year of Daily Wisdom (Softcover) Daily meditations are central to the Science of Mind philosophy : whatever a person believes is what he or she lives. From the early 1940s until his passing in ... 365 Science of Mind: A Year of Daily Wisdom from Ernest ... This newly repackaged edition of one of Tarcher's bestselling Holmes backlist titles contains wisdom designed to help each reader experience the Science of. 365 Science of Mind: A Year of Daily Wisdom... A companion volume to The Science of Mind presents a year's worth of daily meditations--complemented by scriptural passages and words of wisdom from great ... 365 Science of Mind: A Year of Daily Wisdom From Ernest ... A companion volume to The Science of Mind presents a year's worth of daily meditations--complemented by scriptural passages and words of wisdom from great ... 365 Science of Mind 365 Science of Mind. A Year of Daily Wisdom from. Ernest Holmes. A group for reflection and comment on the daily readings in this wonderful collection of 365 Science of Mind Quotes by Ernest Shurtleff Holmes 11 quotes from 365 Science of Mind: A Year of Daily Wisdom From Ernest Holmes: 'I believe that Love is at the center of everything; therefore, I accept L... 365 Ernest Holmes Daily Affirmations to Heal and Inspire ... Would you like to receive an affirmation by Ernest Holmes (the founder of the Science of Mind) in your email every day? Saudi Arabia : Persian Gulf Tide Table Chart. High tide and low tide forecasts for Saudi Arabia : Persian Gulf and other regions all over the world. Whether you love to surf, dive, go ... Arabian Gulf Tide Times, Tables, and Charts - Tide Checker Below are all of the tidal locations we have for Arabian Gulf, Saudi Arabia. Choose a location to see detailed tide times, tide tables, and charts summaries for ... Saudi Arabia Tides Tide times for popular beaches, fishing spots and ports & harbours around Saudi Arabia Tides and charts are calculated daily based on calculations from ... Tide and mean sea level trend in the west coast of the ... by NA Siddig · 2019 · Cited by 30 — The data used in this study include tide gauge data obtained from the Saudi Aramco. Company for six stations along Saudi Arabian coast of the AG and Permanent ... Tide times and charts for Ras At Tannurah, Saudi Arabia ... Tide tables and solunar charts for Ras At Tannurah: high tides and low tides, surf reports, sun and moon rising and setting times. Tide times and charts for Duba, Saudi Arabia and weather ... Tide tables and solunar charts for Duba: high tides and low tides, surf reports, sun and moon rising and setting times, lunar phase, fish activity and ... Today's tide times for Ra's al Qulay`ah, Saudi Arabia Ra's al Qulay`ah tide times and tide charts showing high tide and low tide heights and accurate times out to 30 days. Tide times and

weather for Abu Ali - Tides Today See the 7 day tide time predictions and weather summary for Abu Ali in Eastern Province, Saudi Arabia. Find the current tide height and the next high or low ... The Seasonal Variation of Mean Sea Level in the Arabian ... This paper examines more than 20 years of measured sea level data from 12 tide stations in the Arabian Gulf, to refine predictions of this seasonal variation. BTL 20 50Hz - Light Oil Burners BTL 20 50Hz. Code 35630010. Single-stage light oil burners. Single-stage ... Use and maintenance manual. 1.0. 14/01/2014. Technical Sheet. 1.0. 01/07/2021. Use ... Electric Screwdrivers BTL-20 and BTL-30 BTL-20 and BTL-30. Instruction Manual. Please Read Instructions. Before Operating. Features and Benefits. • Starting Mode Adjustable: The ASG BTL-20 and BTL-30. ASG BTL-20 Instruction Manual View and Download ASG BTL-20 instruction manual online. BTL-20 power tool pdf manual download. Also for: Btl-30. Baltur BTL 20 Manuals Baltur BTL 20 Pdf User Manuals. View online or download Baltur BTL 20 Manual Instructions For Use, Installation, Use And Maintenance Instruction Manual, ... BTL 14 BTL 20 BTL 26 ... USER : HOW TO USE. THE BURNER SAFELY” in this instruction manual, which is an integral and essential part of the product. The works on the burner and on the ... BTL-2000 Series Page 20. BTL-2000. USER'S MANUAL & USER'S GUIDE. Page 20 z 46. Main menu. Diagnoses - Selection according to branches and diagnoses. Program - Selection from ... BTL vac This manual has been written for the owners and operators of the vacuum unit BTL vac. It contains general instructions on operation, precautionary practices ... BTL - 5000 SWT - Service Manual PDF BTL - 5000 SWT - SERVICE MANUAL.pdf - Free ebook download as PDF File (... INSTRUCTIONS FOR USE | PAGE 20 OF 47. End of interrupted therapy. Start of ... BTL Cardiopoint: Service Manual | PDF performed on BTL CardioPoint and troubleshooting of the most frequent issues. The “Service Manual” is a document that is not a subject of frequent revisions. It ... BTL Series 1900-0004 BTL 1112 Manual 20. Install the 90° fitting (27) (fig. A-13) into the oil port on the side of ... maintenance manual. 4. Ensure there is proper flow throughout the hydraulic ...