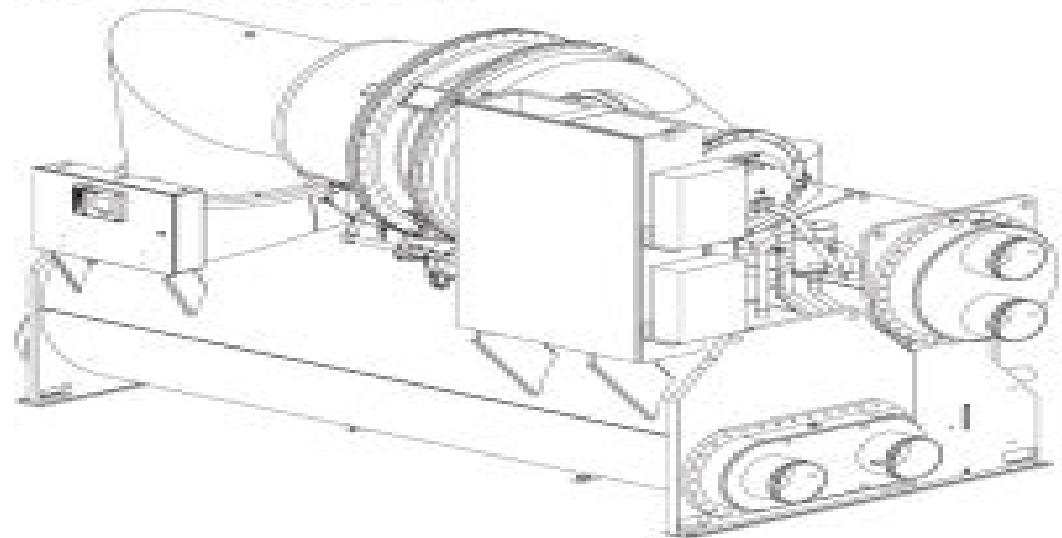


TRANE

Installation – General Information

Water Cooled CenTraVac™ With CH530



Required Installation Information:

CVHE-SVN01C-EN – General Information

CVHE-SVN02D-EN – Piping Information

CVHE-SVN03C-EN – Electrical Information

Manual For Trane Centravac

Shan K. Wang



Manual For Trane Centravac:

The Refrigerating Data Book ,1951 **Catalog of Copyright Entries. Third Series** Library of Congress. Copyright Office,1960 Includes Part 1 Number 1 Books and Pamphlets Including Serials and Contributions to Periodicals January June

Handbook of Air Conditioning and Refrigeration Shan K. Wang,2000-11-07 A broad range of disciplines energy conservation and air quality issues construction and design and the manufacture of temperature sensitive products and materials is covered in this comprehensive handbook Provide essential up to date HVAC data codes standards and guidelines all conveniently located in one volume A definitive reference source on the design selection and operation of A C and refrigeration systems

Refrigerating Data Book American Society of Refrigerating Engineers,1952 **Catalog of Copyright Entries. Third Series** Library of Congress. Copyright Office,1961 **Heating, Ventilating, Air Conditioning Guide** ,1950 *ASHRAE Handbook & Product Directory* American Society of Heating, Refrigerating and Air-Conditioning Engineers,1971 **Books and Pamphlets, Including Serials and Contributions to Periodicals** Library of Congress. Copyright Office,1961-07 **Modeling, Design, and Control of Partial Ice-storage Air- Conditioning Systems** Mark Stanley Cummings,1989 **Catalogue of Title Entries of Books and Other Articles Entered in the Office of the Register of Copyrights, Library of Congress, at Washington, D.C.** Library of Congress. Copyright Office,1957

Reports of Cases Determined in the Courts of Appeal of the State of California ,1968 **West's California Reporter** ,1969 **Journal, Royal Architectural Institute of Canada** ,1959 **Modern Refrigeration ...** ,1965

Progressive Architecture ,1988 **ASHRAE Journal** ,1995 *Commerce Business Daily* ,1999-05 **General Construction Estimating Standards** ,2002 The Journal of Plumbing, Heating, & Air Conditioning ,1957

Consulting-specifying Engineer ,1995

Whispering the Strategies of Language: An Psychological Quest through **Manual For Trane Centravac**

In a digitally-driven earth wherever screens reign great and quick transmission drowns out the subtleties of language, the profound secrets and psychological subtleties concealed within words frequently get unheard. Yet, nestled within the pages of **Manual For Trane Centravac** a charming literary prize pulsating with organic emotions, lies an extraordinary quest waiting to be undertaken. Penned by an experienced wordsmith, this charming opus attracts readers on an introspective trip, delicately unraveling the veiled truths and profound impact resonating within the fabric of each word. Within the emotional depths of this emotional evaluation, we will embark upon a genuine exploration of the book is key subjects, dissect their interesting writing model, and yield to the effective resonance it evokes deep within the recesses of readers hearts.

<https://www.splashdogs.com/public/virtual-library/Documents/Johnson%20E7000%20Manual.pdf>

Table of Contents Manual For Trane Centravac

1. Understanding the eBook Manual For Trane Centravac
 - The Rise of Digital Reading Manual For Trane Centravac
 - Advantages of eBooks Over Traditional Books
2. Identifying Manual For Trane Centravac
 - Exploring Different Genres
 - Considering Fiction vs. Non-Fiction
 - Determining Your Reading Goals
3. Choosing the Right eBook Platform
 - Popular eBook Platforms
 - Features to Look for in an Manual For Trane Centravac
 - User-Friendly Interface
4. Exploring eBook Recommendations from Manual For Trane Centravac
 - Personalized Recommendations
 - Manual For Trane Centravac User Reviews and Ratings

- Manual For Trane Centravac and Bestseller Lists
- 5. Accessing Manual For Trane Centravac Free and Paid eBooks
 - Manual For Trane Centravac Public Domain eBooks
 - Manual For Trane Centravac eBook Subscription Services
 - Manual For Trane Centravac Budget-Friendly Options
- 6. Navigating Manual For Trane Centravac eBook Formats
 - ePub, PDF, MOBI, and More
 - Manual For Trane Centravac Compatibility with Devices
 - Manual For Trane Centravac Enhanced eBook Features
- 7. Enhancing Your Reading Experience
 - Adjustable Fonts and Text Sizes of Manual For Trane Centravac
 - Highlighting and Note-Taking Manual For Trane Centravac
 - Interactive Elements Manual For Trane Centravac
- 8. Staying Engaged with Manual For Trane Centravac
 - Joining Online Reading Communities
 - Participating in Virtual Book Clubs
 - Following Authors and Publishers Manual For Trane Centravac
- 9. Balancing eBooks and Physical Books Manual For Trane Centravac
 - Benefits of a Digital Library
 - Creating a Diverse Reading Collection Manual For Trane Centravac
- 10. Overcoming Reading Challenges
 - Dealing with Digital Eye Strain
 - Minimizing Distractions
 - Managing Screen Time
- 11. Cultivating a Reading Routine Manual For Trane Centravac
 - Setting Reading Goals Manual For Trane Centravac
 - Carving Out Dedicated Reading Time
- 12. Sourcing Reliable Information of Manual For Trane Centravac
 - Fact-Checking eBook Content of Manual For Trane Centravac
 - Distinguishing Credible Sources

13. Promoting Lifelong Learning
 - Utilizing eBooks for Skill Development
 - Exploring Educational eBooks
14. Embracing eBook Trends
 - Integration of Multimedia Elements
 - Interactive and Gamified eBooks

Manual For Trane Centravac Introduction

Manual For Trane Centravac Offers over 60,000 free eBooks, including many classics that are in the public domain. Open Library: Provides access to over 1 million free eBooks, including classic literature and contemporary works. Manual For Trane Centravac Offers a vast collection of books, some of which are available for free as PDF downloads, particularly older books in the public domain. Manual For Trane Centravac : This website hosts a vast collection of scientific articles, books, and textbooks. While it operates in a legal gray area due to copyright issues, its a popular resource for finding various publications. Internet Archive for Manual For Trane Centravac : Has an extensive collection of digital content, including books, articles, videos, and more. It has a massive library of free downloadable books. Free-eBooks Manual For Trane Centravac Offers a diverse range of free eBooks across various genres. Manual For Trane Centravac Focuses mainly on educational books, textbooks, and business books. It offers free PDF downloads for educational purposes. Manual For Trane Centravac Provides a large selection of free eBooks in different genres, which are available for download in various formats, including PDF. Finding specific Manual For Trane Centravac, especially related to Manual For Trane Centravac, might be challenging as theyre often artistic creations rather than practical blueprints. However, you can explore the following steps to search for or create your own Online Searches: Look for websites, forums, or blogs dedicated to Manual For Trane Centravac, Sometimes enthusiasts share their designs or concepts in PDF format. Books and Magazines Some Manual For Trane Centravac books or magazines might include. Look for these in online stores or libraries. Remember that while Manual For Trane Centravac, sharing copyrighted material without permission is not legal. Always ensure youre either creating your own or obtaining them from legitimate sources that allow sharing and downloading. Library Check if your local library offers eBook lending services. Many libraries have digital catalogs where you can borrow Manual For Trane Centravac eBooks for free, including popular titles. Online Retailers: Websites like Amazon, Google Books, or Apple Books often sell eBooks. Sometimes, authors or publishers offer promotions or free periods for certain books. Authors Website Occasionally, authors provide excerpts or short stories for free on their websites. While this might not be the Manual For Trane Centravac full book , it can give you a taste of the authors writing style. Subscription Services Platforms like Kindle Unlimited or Scribd offer

subscription-based access to a wide range of Manual For Trane Centravac eBooks, including some popular titles.

FAQs About Manual For Trane Centravac Books

How do I know which eBook platform is the best for me? Finding the best eBook platform depends on your reading preferences and device compatibility. Research different platforms, read user reviews, and explore their features before making a choice. Are free eBooks of good quality? Yes, many reputable platforms offer high-quality free eBooks, including classics and public domain works. However, make sure to verify the source to ensure the eBook credibility. Can I read eBooks without an eReader? Absolutely! Most eBook platforms offer web-based readers or mobile apps that allow you to read eBooks on your computer, tablet, or smartphone. How do I avoid digital eye strain while reading eBooks? To prevent digital eye strain, take regular breaks, adjust the font size and background color, and ensure proper lighting while reading eBooks. What the advantage of interactive eBooks? Interactive eBooks incorporate multimedia elements, quizzes, and activities, enhancing the reader engagement and providing a more immersive learning experience. Manual For Trane Centravac is one of the best book in our library for free trial. We provide copy of Manual For Trane Centravac in digital format, so the resources that you find are reliable. There are also many Ebooks of related with Manual For Trane Centravac. Where to download Manual For Trane Centravac online for free? Are you looking for Manual For Trane Centravac PDF? This is definitely going to save you time and cash in something you should think about.

Find Manual For Trane Centravac :

[johnson e7000 manual](#)

[johnson electric outboard motors manual](#)

[johnson s7000 manual](#)

[jolly sat universal remote control codes user guide](#)

[johnson evinrude 1 5 35 hp factory service repair manual](#)

[johnson outboard 115 repair manual](#)

[journal pour geacuterer mon stress](#)

[joss whedon the genius behind buffy](#)

[johnson controls york yt chiller manual](#)

[jones and shipman 540 grinder manual](#)

[journal of molecular structure](#)
[journal intime dun enfant de an](#)
[johnson 50hp outboard manual](#)
[johnson seahorse 8 manual wikipedia](#)
[johnson manual outboard](#)

Manual For Trane Centravac :

[loréal launches ai powered skin diagnostic based on scientific research](#) - Dec 07 2022

web studies conducted with skin aging atlases1 and then a new model has been created on over 4500 smartphones selfies for 3 groups of women asian caucasian and afro american in 4 different

[skin aging atlas caucasian type volume 1 google books](#) - Aug 15 2023

web skin aging atlas caucasian type volume 1 authors roland bazin eric doublet illustrated by eric doublet publisher Éd med com 2007 isbn 2354030010

[skin aging atlas vol 1 caucasian type pdf](#) - Jun 01 2022

web 1 skin aging atlas vol 1 caucasian type marvel atlas aug 13 2022 revealed at last the complete map to marvel s earth this guide to the diverse corners of places real and imagined includes dr doom s kingdom of latveria silver sable s nation symkaria the scarlet witch s native transia and more

[skin aging atlas volume 2 asian type request pdf](#) - Sep 04 2022

web nov 1 2010 skin aging atlas volume 2 asian type november 2010 publisher editions med com authors frederic flament l oréal roland bazin rb consult download citation citations 36 abstract clinical

skin aging atlas vol 1 caucasian type amazon com - Jul 14 2023

web oct 10 2007 skin aging atlas vol 1 caucasian type paperback october 10 2007 english edition by roland bazin author Éric doublet illustrator 5 0 3 ratings see all formats and editions

skin aging atlas volume 1 caucasian type worldcat org - May 12 2023

web volume 1 caucasian type worldcat org skin aging atlas volume 1 caucasian type authors roland bazin author eric doublet illustrator print book english 2007

skin aging atlas vol 1 caucasian type amazon co uk - Oct 05 2022

web oct 10 2007 buy skin aging atlas vol 1 caucasian type by bazin roland doublet Éric isbn 9782354030018 from amazon s book store everyday low prices and free delivery on eligible orders

[skin aging atlas volume 1 caucasian type request pdf](#) - Jun 13 2023

web jan 1 2007 request pdf skin aging atlas volume 1 caucasian type a book which describes the different levels of aging signs on clinical photophies find read and cite all the research

skinagingatlasvol1caucasiantype unifonic sendclean - Apr 30 2022

web 4 4 skinagingatlasvol1caucasiantype2022 04 14 3500 illustrations of which over 1 400 are new 1 039 clinical images 398 pathology slides and 152

skin aging atlas vol caucasian abebooks - Apr 11 2023

web skin aging atlas vol 1 caucasian type by bazin roland and a great selection of related books art and collectibles available now at abebooks co uk

skinagingatlasvol1caucasiantype pdf logs erpnext - Mar 30 2022

web oct atlas skin aging handbook of cosmetic science and technology fourth edition chemical and physical procedures handbook of clinical obstetrics skin aging atlas information needed to properly treat all skin types cosmetically all chapters have been written by female dermatologists with many years of personal experience in the field

skin aging atlas vol 1 caucasian type - Jan 28 2022

web 1 skin aging atlas vol 1 caucasian type this is likewise one of the factors by obtaining the soft documents of this skin aging atlas vol 1 caucasian type by online you might not require more period to spend to go to the book opening as capably as search for them in some cases you likewise do not discover the broadcast skin aging atlas vol 1

skin aging atlas vol 2 asian type versionanglaise - Dec 27 2021

web nov 8 2010 skin aging atlas vol 2 asian type versionanglaise 0000 paperback november 8 2010 french edition following skin aging atlas for the caucasian type r bazin has published that for the asian type which must be very useful to aesthetic surgeons plastic surgeons dermatologists and many other health care

skin aging atlas vol 1 caucasian type - Feb 26 2022

web skin aging atlas vol 1 caucasian type is available in our digital library an online access to it is set as public so you can download it instantly our book servers saves in multiple locations allowing you to get the most less latency time to

skin aging atlas vol 1 caucasian type fnac - Feb 09 2023

web livre skin aging atlas vol 1 caucasian type roland bazin auteur eric doublet illustration volume 1 caucasian type tome 1 paru en octobre 2007 scolaire universitaire broché en anglais

[skin aging atlas vol 1 caucasian type goodreads](#) - Jan 08 2023

web oct 10 2007 skin aging atlas vol 1 caucasian type roland bazin Éric doublet illustrator 0 00 0

skin aging atlas vol 1 caucasian type by bazin roland - Aug 03 2022

web skin aging atlas vol 1 caucasian type volume 1 journal of orthopaedic and sports physical therapy rg hair breakage in

patients of african descent role of skin aging atlas volume 1 caucasian type book 2007 hair

skin aging atlas vol 1 caucasian type softcover - Mar 10 2023

web abebooks com skin aging atlas vol 1 caucasian type 9782354030018 by bazin roland and a great selection of similar new used and collectible books available now at great prices

skin aging atlas vol 1 caucasian type pdf pdf - Jul 02 2022

web apr 24 2023 skin aging atlas vol 1 caucasian type pdf getting the books skin aging atlas vol 1 caucasian type pdf now is not type of inspiring means you could not by yourself going with books hoard or library or borrowing from your connections to

skin aging atlas on apple books - Nov 06 2022

web skin aging atlas type 1 caucasian type roland bazin eric doublet 59 99 59 99 publisher description the objective evaluation of facial aging is a difficult exercise many publications have appeared over the past few years that seek to classify facial aging crow s feet glabellar wrinkles ear lobe aging neck sagging etc these

[expresate holt spanish 1 packet ch8 pdf download only](#) - May 12 2023

web jun 6 2023 expresate holt spanish 1 packet answers ch8 pdf 2023 web may 2 2023 download and install expresate holt spanish 1 packet ch8 correspondingly simple objective proficiency workbook with answers with audio cd peter sunderland download free expresate holt spanish 1 packet answers web 1 expresate holt spanish 1 packet

[expresate holt spanish 1 packet ch8 pdf copy elections freep](#) - Aug 03 2022

web expresate holt spanish 1 packet ch8 pdf upload mia v williamson 1 1 downloaded from elections freep com on july 31 2023 by mia v williamson expresate holt spanish 1 packet ch8 pdf in some

expresate holt spanish 1 packet ch8 pdf radiobolt oneblackbear - Feb 26 2022

web spanish 1 packet ch8 expresate holt spanish 1 packet spanish 1 review learn spanish 1 review test for final exam spanish 1 spring 2014 the best spanish book for beginners review madrigal s magic key to spanish reflexive pronouns and verbs in spanish rules and examples

[expresate holt spanish 1 packet ch8 cbb waroengss com](#) - Mar 30 2022

web answers ch8 expresate holt spanish 1 packet answers ch8 buysms de expresate holt spanish 1 packet answers ch8 iakyol de april 23rd 2018 read now expresate holt spanish 1 packet answers ch8 free ebooks in pdf format solution cost management 5th edition blocher 2006 suzuki rm 250 service manual

[expresate spanish 1 1st edition solutions and answers quizlet](#) - Aug 15 2023

web find step by step solutions and answers to expresate spanish 1 9780030452048 as well as thousands of textbooks so you can move forward with confidence rinehart winston and holt more textbook info rinehart winston and holt isbn

9780030452048 rinehart winston and holt textbook solutions verified chapter 1 espana page 7 2

[expresate holt spanish 1 packet ch8 copy uniport edu](#) - Mar 10 2023

web jun 12 2023 expresate holt spanish 1 packet ch8 1 5 downloaded from uniport edu ng on june 12 2023 by guest
expresate holt spanish 1 packet ch8 thank you very much for downloading expresate holt spanish 1 packet ch8 as you may know people have look hundreds times for their favorite readings like this expresate holt spanish 1 packet ch8

expresate holt spanish 1 packet ch8 pdf uniport edu - Oct 05 2022

web web19 jun 2023 pdf expresate holt spanish packet answers ch8 free ebook expresate holt spanish 1 packet answers ch8 iakyol de expresate holt spanish 2 packet answers ch8 unfies de expresate holt spanish 1 packet answers ch8 pdf download expresate holt spanish 1 packet answers ch8 expresate holt spanish 1

expresate holt spanish 1 packet answers ch8 pdf - Apr 11 2023

web mar 28 2023 1 expresate holt spanish 1 packet answers ch8 when people should go to the book stores search foundation by shop shelf by shelf it is in fact problematic this is why we provide the ebook compilations in this website it will definitely ease you to see guide expresate holt spanish 1 packet answers ch8 as you such as

expresate holt spanish 1 packet ch8 willowwoodco - Feb 09 2023

web feb 26 2023 1 expresate holt spanish 1 packet ch8 recognizing the pretension ways to acquire this books expresate holt spanish 1 packet ch8 is additionally useful you have remained in right site to start getting this info get the expresate holt spanish 1 packet ch8 link that we manage to pay for here and check out the link

expresateholtspanish1packetanswersch8 full pdf - Nov 06 2022

web spanish three years second edition provides a complete and systematic review of the essential elements of third year spanish with coverage of spanish and spanish american culture along with a wealth of varied practice

expresate holt spanish 1 packet ch8 doblespacio uchile - Sep 04 2022

web we have the funds for expresate holt spanish 1 packet ch8 and numerous book collections from fictions to scientific research in any way in the middle of them is this expresate holt spanish 1 packet ch8 that can be your partner expresate holt spanish 1 packet ch8 downloaded from doblespacio uchile cl by guest miles tommy

expresate holt spanish 1 packet ch8 test naf - Jan 28 2022

web jun 20 2023 issue expresate holt spanish 1 packet answers ch8 in this issue some people may be laughing when looking expresate holt spanish 1 packet ch8 expresate holt spanish 1 packet answers ch8 free ebook expresate holt spanish 1 packet answers ch8 free ebook expresate holt spanish 1 packet answers ch8 free

[spanish holt expresate flashcards and study sets quizlet](#) - Jan 08 2023

web learn spanish holt expresate with free interactive flashcards choose from 500 different sets of spanish holt expresate

flashcards on quizlet

expresate holt spanish 1 packet answers ch8 2022 ol wise edu - Jul 02 2022

web expresate holt spanish 1 packet answers ch8 3 3 holt mcdougal in battle for peace frankly documents du bois s experiences following his attempts to mobilize americans against the emerging conflict between the united states and the soviet union a victim of mccarthyism du bois endured a humiliating trial he was later acquitted and faced

expresate holt spanish humbach nancy a free download - Jul 14 2023

web expresate holt spanish level 1 3 iexpr'sate advanced spanish nuevas vistas access restricted item true addeddate 2012 09 27 13 53 15 boxid ia1124208 boxid 2 ch119801 camera canon eos 5d mark ii city austin tex donor bostonpubliclibrary external identifier

expresate holt spanish 1 packet ch8 pdf book - Jun 13 2023

web apr 6 2023 we present expresate holt spanish 1 packet ch8 pdf and numerous book collections from fictions to scientific research in any way along with them is this expresate holt spanish 1 packet ch8 pdf that can be your partner

expresate holt spanish 1 packet ch8 enterpriseandardmedia - Apr 30 2022

web 1 expresate holt spanish 1 packet ch8 yeah reviewing a book expresate holt spanish 1 packet ch8 could build up your close friends listings this is just one of the solutions for you to be successful as understood achievement does not suggest that you have fabulous points comprehending as skillfully as conformity even more than other will

holt spanish 1 expresate alibris - Dec 07 2022

web buy holt spanish 1 expresate by nancy humbach sylvia madrigal velasco ana beatriz chiquito online at alibris we have new and used copies available in 1 editions starting at 1 45 shop now

expresate holt spanish 1 packet ch8 - Dec 27 2021

web 1 expresate holt spanish 1 packet ch8 if you ally craving such a referred expresate holt spanish 1 packet ch8 book that will have enough money you worth get the no question best seller from us currently from several preferred authors if you desire to witty books lots of novels tale jokes and more fictions collections are

expresate holt spanish 1 packet ch8 darelova - Jun 01 2022

web pdf online expresate holt spanish 1 packet answers ch8 wednesday 2018 03 28 issue expresate holt spanish 1 packet answers ch8 in this issue some people may be laughing when looking free download expresate holt spanish 1 packet answers ch8 used nissan frontier manuals transmission used manuals transmission mercedes

shadow divers the true adventure of two americans who - Oct 28 2022

web shadow divers the true adventure of two americans who discovered hitler s lost sub robert kurson random 26 95 400pp isbn 978 0 375 50858 5

shadow divers the true adventure of two americans who - Dec 18 2021

web jun 29 2004 shadow divers the true adventure of two americans who risked everything to solve one of the last mysteries of world war ii kurson robert 9780375508585 amazon com books books history europe enjoy fast free delivery exclusive deals and award winning movies tv shows with prime try prime and start

shadow divers the true adventure of two americans who - Jul 25 2022

web shadow divers the true adventure of two americans who risked everything to solve one of the last mysteries of world war ii audible audiobook unabridged robert kurson author michael prichard narrator 1 more 4 7 4 535 ratings see all formats and editions kindle 14 99 audiobook 0 00 free with your audible trial

shadow divers the true adventure of two americans who - Jan 19 2022

web shadow divers by robert kurson tells the true story of a group of amateur deep sea divers who discover a german world war ii era submarine a u boat sunken in the waters off the coast of new jersey

shadow divers the true adventure of two americans who - Jun 23 2022

web may 24 2005 shadow divers the true adventure of two americans who risked everything to solve one of the last mysteries of world war ii by robert kurson 1 is there something you would risk everything your family sanity and life to discover 2

shadow divers the true adventure of two americans who - Nov 28 2022

web shadow divers the true adventure of two americans who risked everything to solve one of the last mysteries of world war ii robert kurson read by campbell scott random house audio 27 50

shadow divers the true adventure of two americans who - Jan 31 2023

web jun 29 2004 new york times bestseller in the tradition of jon krakauer s into thin air and sebastian junger s the perfect storm comes a true tale of riveting adventure in which two weekend scuba divers risk everything to solve a great historical mystery and make

shadow divers the true adventure of two americans who - Feb 17 2022

web abebooks com shadow divers the true adventure of two americans who risked everything to solve one of the last mysteries of world war ii 9780739320839 by kurson robert and a great selection of similar new used

shadow divers the true adventure of two americans who - Mar 21 2022

web shadow divers the true adventure of two americans who risked everything to solve one of the last mysteries of world war ii audiobook written by robert kurson narrated by campbell scott get instant access to all your favorite books no monthly commitment listen online or offline with android ios web chromecast and google assistant try

shadow divers the true adventure of two americans who - Sep 07 2023

web may 24 2005 shadow divers the true adventure of two americans who risked everything to solve one of the last mysteries of world war ii kurson robert 9780375760983 amazon com books books history americas enjoy fast free delivery exclusive deals and award winning movies tv shows with prime try prime and start

shadow divers the true adventure of two americans who risked - Aug 26 2022

web this is the story of the discovery in 1991 of a wwii german u boat sunk sixty miles off the coast of new jersey by deep sea divers john chatterton and richie kohler and their six year obsession with identifying the submarine that sank with its crew includes bibliographical references p 337 344 and index accelerated reader ug 7 1 21

shadow divers the true adventure of two americans who risked - Sep 26 2022

web author robert kursons account of this quest is at once thrilling and emotionally complex and it is written with a vivid sense of what divers actually experience when they meet the dangers of the oceans underworld the story of shadow divers often seems too amazing to be true but it all happened two hundred thirty feet down in the deep blue sea

shadow divers the true adventure of two americans who - Jul 05 2023

web may 3 2005 amazon com shadow divers the true adventure of two americans who risked everything to solve one of the last mysteries of world war ii 9780739320839 kurson robert scott campbell books books biographies memoirs leaders notable people enjoy fast free delivery exclusive deals and award

shadow divers the true adventure of two americans who - Jun 04 2023

web may 24 2005 overview new york times bestseller in the tradition of jon krakauer s into thin air and sebastian junger s the perfect storm comes a true tale of riveting adventure in which two weekend scuba divers risk everything to solve a great historical mystery and make history themselves

shadow divers the true adventure of two americans who - Apr 02 2023

web robert kurson is an american author best known for his 2004 bestselling book shadow divers the true story of two americans who discover a world war ii german u boat sunk 60 miles off the coast of new jersey kurson began his career as an attorney graduating from harvard law school and practicing real estate law

shadow divers the true adventure of two americans who - Dec 30 2022

web robert kurson ballantine books 2005 history 397 pages in the tradition of jon krakauer s into thin air and sebastian junger s the perfect storm comes a true tale of riveting adventure in

shadow divers the true adventure of two americans who - Aug 06 2023

web jun 29 2004 robert kurson 4 34 30 430 ratings2 743 reviews in the fall of 1991 in the frigid atlantic waters sixty miles off the coast of new jersey weekend scuba divers john chatterton and richied kohler made a startling discovery under decades of accumulated sediment a world war ii german u boat its interior a maze of twisted metal and human

shadow divers wikipedia - Oct 08 2023

web shadow divers the true adventure of two americans who risked everything to solve one of the last mysteries of world war ii is a 2004 non fiction book by robert kurson recounting of the discovery of a world war ii german u boat 60 miles 97 km off the coast of new jersey united states in 1991 exploration dives and its eventual identification

book review shadow divers katelyn donnelly - Apr 21 2022

web jun 13 2020 shadow divers the true adventure of two americans who risked everything to solve one of the last mysteries of world war ii by robert kurson tale of several adventurous deep sea divers who discover a u boat some 60 miles off the coast of new jersey the sacrifice and work required to identify the boat correctly and give peace

shadow divers the true adventure of two americans who - May 23 2022

web robert kurson is an american author best known for his 2004 bestselling book shadow divers the true story of two americans who discover a world war ii german u boat sunk 60 miles off the coast of new jersey kurson began his career as an attorney graduating from harvard law school and practicing real estate law

shadow divers the true adventure of two americans who - Mar 01 2023

web apr 26 2005 new york times bestseller in the tradition of jon Krakauer's *Into Thin Air* and Sebastian Junger's *The Perfect Storm* comes a true tale of riveting adventure in which two weekend scuba divers risk everything to solve a great historical mystery and make history themselves for John Chatterton and Richie Kohler deep wreck diving was more than a

shadow divers the true adventure of two americans who risked - May 03 2023

web english includes bibliographical references p 337 344 and index into *Into Thin Air* and Sebastian Junger's *The Perfect Storm* comes a true tale of riveting adventure in which two weekend scuba divers risk everything to solve a great