

FUJIFILM

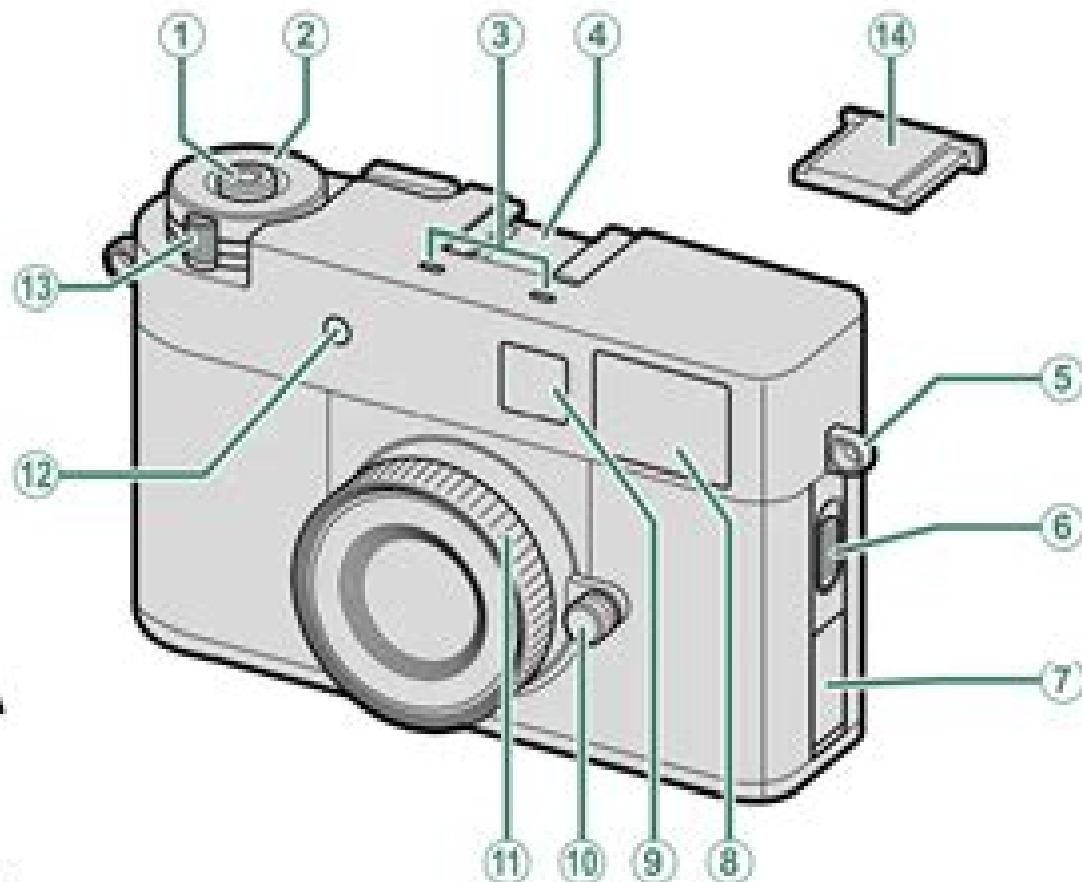
DIGITAL CAMERA

X half

X-HF1

FF240003

Owner's Manual



Manual Fuji Ef X

Japan Society (London, England).

Manual Fuji Ef X:

[The Complete Guide to Fujifilm's X-T20 \(B&W Edition\)](#) Tony Phillips,2017-04-13 Written for Fujifilm s outstanding X T20 travel camera this is EVERYTHING X T20 explained in easy to understand language It is the Manual on Steroids and much more So if you re uncertain about anything your XT20 does grab this book It s packed with clear tutorials and examples with nearly 400 tips and tricks to help you master photography with your X T20 n this 616 page full color book you ll learn About every mode menu button function and socket How to get fully touchy feely with the new touch screen How the new Fujifilm flash system and EF X500 wireless flash works All about Lighting even Manual flash Plus more **The Complete Guide to Fujifilm's X-T3 (B&W Edition)** Tony Phillips,2019-02-05 The X T3 in plain English Written for Fujifilm s outstanding X T3 camera this is This is EVERYTHING X T3 explained in easy to understand language It is the Manual on Steroids and much more Everything comes with clear tutorials and examples So if you re uncertain about anything your X T3 does grab this book It s packed with clear tutorials and examples with over 900 tips tricks and tweaks to help you master photography with your X T3 Get the most from your investment Learn about the wonders of digital imaging and improve your creative eye at the same time *The Complete Guide to Fujifilm's X-t2 (B&W Edition)* Tony Phillips,2017-01-31 Listed as Mirrorless Camera Manuals whose books you ll actually enjoy reading If you re uncertain in any way about even one thing your XT2 does then save time and money and grab this book This is EVERYTHING X T2 explained in easy to understand language It is the Manual on Steroids and much more This full color ebook Covers every mode menu button function and socket Explains the new Flash modes including wireless flash Includes all my camera settings and an explanation of why on earth I do it that way Covers every essential of shooting like ISO Focus WB Metering flash modes and the more esoteric ones too Explains how and why to customize all the buttons and menus Has a great tutorial to help you master the ins and outs of RAW Explains why all glass Fuji lenses are not born equal Includes a 22 page Condensed Guide to the Basics of modern digital photography Valuable bonuses are included as well **The Complete Guide to Fujifilm's X-H1 (B&W Edition)** Tony Phillips,2018-07-06 The X H1 in plain English Written for Fujifilm s outstanding X H1 camera this is This is EVERYTHING X H1 explained in easy to understand language It is the Manual on Steroids and much more In it I assume you are a photographer so I don t dive in to the basics of photography except in an Appendix Everything comes with clear tutorials and examples So if you re uncertain about anything your X H1 does grab this book It s packed with clear tutorials and examples with over 900 tips tricks and tweaks to help you master photography with your X H1 **The Complete Guide to Fujifilm's X-Pro2 (B&W Edition)** Tony Phillips,2016-06-14 If you re uncertain in any way about even one thing your XPro2 does then save time and money and grab this book This is EVERYTHING X Pro2 explained in easy to understand language It is the Manual on Steroids and much more In it I assume you are a photographer so I don t dive in to the basics of photography except in an Appendix Everything comes with clear tutorials and examples As a bonus hey I m trying to entice you to buy my

book I give everyone who buys my book a PDF copy of my other eBook *Mastering Flash with Fujifilm X Cameras* value 9 95 value Find out how in the book But Wait There s also an XLS spreadsheet listing all camera settings with a brief explanation of each my own recommendations and space to note your own settings *The Complete Guide to Fujifilm's X-100F (B&W Edition)* Tony Phillips,2017-05-18 Written for Fujifilm s outstanding X100F street camera this is EVERYTHING X100F explained in easy to understand language It is the Manual on Steroids and much more So if you re uncertain about anything your X100F does grab this book It s packed with clear tutorials and examples with over 400 tips tricks and tweaks to help you master photography with your X100F In this 584 page full color eBook you ll learn About every mode menu button function and socket How the new Fujifilm flash system works How to capitalize on a 1 2000th flash sync speed RHSS All about the EF X500 and Fujifilm wireless flash Why the OVF is so so good and how to have fun with it Plus more **Popular Photography** ,2002 **The Complete Guide to Fujifilm's X-T4 (B&W Edition)** Tony Phillips,2020-09-08 The best help in the world on the X T4 Written for Fujifilm s outstanding X T4 hybrid camera this is EVERYTHING X T4 explained in easy to understand language It is the Manual on Steroids and much more In it I assume you are a photographer so I don t dive in to the basics of photography except in an Appendix Everything comes with clear tutorials and examples So if you re uncertain about anything your X T4 does grab this book It s packed with clear tutorials and examples with over 900 tips tricks and tweaks to help you master photography and videography with your X T4 This 732 page full color book Is packed with over 900 tips and tricks to help you master photography with an X T4 Covers every mode menu button function switch and socket All about the EF X500 and wireless flash Includes third party flashes and the new Fujifilm EF 60 flash and trigger Covers Lighting even Manual flash Multiple chapters covering all things video Plus Discover all my camera settings including why I do it that way Covers every essential of shooting like ISO Focus WB Metering flash modes and the more esoteric ones too Understand how and why to customize buttons and menus Explains why all glass Fuji lenses are not born equal Read a great treatise to help you master the ins and outs of RAW and RAW specific shooting Included is a 22 page Condensed Guide to the Basics of modern digital photography PLUS PLUS PLUS Also included is a full list of all my settings with explanations for why things are set up that way Plus in the final Release there will be author bonuses Ed 1 of my Fujifilm Flash book an XLS spreadsheet with all the camera settings with explanations and a Phone Companion with all the settings and a summary of each A 19 95 value right there **Liverpool and Manchester Photographic Journal** ,2004 [Industrial Photography](#) ,1993 **The British Journal of Photography** ,2004 *Transactions and Proceedings of the Japan Society, London* Japan Society of London,1918 **Transactions and Proceedings of the Japan Society, London** Japan Society (London, England),,1916 **Index Medicus** ,1905 [Consumers Index to Product Evaluations and Information Sources](#) ,1996 *Modern Photography* ,1989 **Mastering Flash With Fujifilm X Cameras (B&W Edition)** Tony Phillips,2014-11-25 Master Fuji flash with confidence If you are in any way uncertain about using flash with Fujifilm cameras then this book will make it

simple for you It s Advanced Lighting 101 for Fujifilm including making manual flash a breeze This book is for ALL Fujifilm X camera owners who want to improve their use of flash both on and off the camera The tools and techniques discussed apply equally to shooting snapshots weddings portraits travel in fact any photography where changing the quality of light gets you the desired outcome The information in this book covers all current X cameras including the XE XT and X Pro series of interchangeable lens cameras as well as the unique real high speed flash sync capability available in fixed lens X100 S T leaf shutter cameras More details can be found at the Friedman Archives Press website *Japan Trade Directory* ,2000 Provides information on Japanese companies products and services and includes brief overviews giving demographic business and tourist information for all Japanese prefectures **Computer Books and Serials in Print** ,1985 **AIC News** ,2004

Delve into the emotional tapestry woven by in **Manual Fuji Ef X** . This ebook, available for download in a PDF format (*), is more than just words on a page; it is a journey of connection and profound emotion. Immerse yourself in narratives that tug at your heartstrings. Download now to experience the pulse of each page and let your emotions run wild.

<https://www.splashdogs.com/public/virtual-library/Documents/Manual%20Usuario%20Audi%20A6%20Avant.pdf>

Table of Contents Manual Fuji Ef X

1. Understanding the eBook Manual Fuji Ef X
 - The Rise of Digital Reading Manual Fuji Ef X
 - Advantages of eBooks Over Traditional Books
2. Identifying Manual Fuji Ef X
 - Exploring Different Genres
 - Considering Fiction vs. Non-Fiction
 - Determining Your Reading Goals
3. Choosing the Right eBook Platform
 - Popular eBook Platforms
 - Features to Look for in an Manual Fuji Ef X
 - User-Friendly Interface
4. Exploring eBook Recommendations from Manual Fuji Ef X
 - Personalized Recommendations
 - Manual Fuji Ef X User Reviews and Ratings
 - Manual Fuji Ef X and Bestseller Lists
5. Accessing Manual Fuji Ef X Free and Paid eBooks
 - Manual Fuji Ef X Public Domain eBooks
 - Manual Fuji Ef X eBook Subscription Services
 - Manual Fuji Ef X Budget-Friendly Options
6. Navigating Manual Fuji Ef X eBook Formats

- ePub, PDF, MOBI, and More
 - Manual Fuji Ef X Compatibility with Devices
 - Manual Fuji Ef X Enhanced eBook Features
7. Enhancing Your Reading Experience
 - Adjustable Fonts and Text Sizes of Manual Fuji Ef X
 - Highlighting and Note-Taking Manual Fuji Ef X
 - Interactive Elements Manual Fuji Ef X
 8. Staying Engaged with Manual Fuji Ef X
 - Joining Online Reading Communities
 - Participating in Virtual Book Clubs
 - Following Authors and Publishers Manual Fuji Ef X
 9. Balancing eBooks and Physical Books Manual Fuji Ef X
 - Benefits of a Digital Library
 - Creating a Diverse Reading Collection Manual Fuji Ef X
 10. Overcoming Reading Challenges
 - Dealing with Digital Eye Strain
 - Minimizing Distractions
 - Managing Screen Time
 11. Cultivating a Reading Routine Manual Fuji Ef X
 - Setting Reading Goals Manual Fuji Ef X
 - Carving Out Dedicated Reading Time
 12. Sourcing Reliable Information of Manual Fuji Ef X
 - Fact-Checking eBook Content of Manual Fuji Ef X
 - Distinguishing Credible Sources
 13. Promoting Lifelong Learning
 - Utilizing eBooks for Skill Development
 - Exploring Educational eBooks
 14. Embracing eBook Trends
 - Integration of Multimedia Elements
 - Interactive and Gamified eBooks

Manual Fuji Ef X Introduction

In this digital age, the convenience of accessing information at our fingertips has become a necessity. Whether its research papers, eBooks, or user manuals, PDF files have become the preferred format for sharing and reading documents. However, the cost associated with purchasing PDF files can sometimes be a barrier for many individuals and organizations. Thankfully, there are numerous websites and platforms that allow users to download free PDF files legally. In this article, we will explore some of the best platforms to download free PDFs. One of the most popular platforms to download free PDF files is Project Gutenberg. This online library offers over 60,000 free eBooks that are in the public domain. From classic literature to historical documents, Project Gutenberg provides a wide range of PDF files that can be downloaded and enjoyed on various devices. The website is user-friendly and allows users to search for specific titles or browse through different categories. Another reliable platform for downloading Manual Fuji Ef X free PDF files is Open Library. With its vast collection of over 1 million eBooks, Open Library has something for every reader. The website offers a seamless experience by providing options to borrow or download PDF files. Users simply need to create a free account to access this treasure trove of knowledge. Open Library also allows users to contribute by uploading and sharing their own PDF files, making it a collaborative platform for book enthusiasts. For those interested in academic resources, there are websites dedicated to providing free PDFs of research papers and scientific articles. One such website is Academia.edu, which allows researchers and scholars to share their work with a global audience. Users can download PDF files of research papers, theses, and dissertations covering a wide range of subjects. Academia.edu also provides a platform for discussions and networking within the academic community. When it comes to downloading Manual Fuji Ef X free PDF files of magazines, brochures, and catalogs, Issuu is a popular choice. This digital publishing platform hosts a vast collection of publications from around the world. Users can search for specific titles or explore various categories and genres. Issuu offers a seamless reading experience with its user-friendly interface and allows users to download PDF files for offline reading. Apart from dedicated platforms, search engines also play a crucial role in finding free PDF files. Google, for instance, has an advanced search feature that allows users to filter results by file type. By specifying the file type as "PDF," users can find websites that offer free PDF downloads on a specific topic. While downloading Manual Fuji Ef X free PDF files is convenient, its important to note that copyright laws must be respected. Always ensure that the PDF files you download are legally available for free. Many authors and publishers voluntarily provide free PDF versions of their work, but its essential to be cautious and verify the authenticity of the source before downloading Manual Fuji Ef X. In conclusion, the internet offers numerous platforms and websites that allow users to download free PDF files legally. Whether its classic literature, research papers, or magazines, there is something for everyone. The platforms mentioned in this article, such as Project Gutenberg, Open Library, Academia.edu, and Issuu, provide access to a vast collection of PDF files. However, users should always be cautious and verify the legality of the source

before downloading Manual Fuji Ef X any PDF files. With these platforms, the world of PDF downloads is just a click away.

FAQs About Manual Fuji Ef X Books

1. Where can I buy Manual Fuji Ef X books? Bookstores: Physical bookstores like Barnes & Noble, Waterstones, and independent local stores. Online Retailers: Amazon, Book Depository, and various online bookstores offer a wide range of books in physical and digital formats.
2. What are the different book formats available? Hardcover: Sturdy and durable, usually more expensive. Paperback: Cheaper, lighter, and more portable than hardcovers. E-books: Digital books available for e-readers like Kindle or software like Apple Books, Kindle, and Google Play Books.
3. How do I choose a Manual Fuji Ef X book to read? Genres: Consider the genre you enjoy (fiction, non-fiction, mystery, sci-fi, etc.). Recommendations: Ask friends, join book clubs, or explore online reviews and recommendations. Author: If you like a particular author, you might enjoy more of their work.
4. How do I take care of Manual Fuji Ef X books? Storage: Keep them away from direct sunlight and in a dry environment. Handling: Avoid folding pages, use bookmarks, and handle them with clean hands. Cleaning: Gently dust the covers and pages occasionally.
5. Can I borrow books without buying them? Public Libraries: Local libraries offer a wide range of books for borrowing. Book Swaps: Community book exchanges or online platforms where people exchange books.
6. How can I track my reading progress or manage my book collection? Book Tracking Apps: Goodreads, LibraryThing, and Book Catalogue are popular apps for tracking your reading progress and managing book collections. Spreadsheets: You can create your own spreadsheet to track books read, ratings, and other details.
7. What are Manual Fuji Ef X audiobooks, and where can I find them? Audiobooks: Audio recordings of books, perfect for listening while commuting or multitasking. Platforms: Audible, LibriVox, and Google Play Books offer a wide selection of audiobooks.
8. How do I support authors or the book industry? Buy Books: Purchase books from authors or independent bookstores. Reviews: Leave reviews on platforms like Goodreads or Amazon. Promotion: Share your favorite books on social media or recommend them to friends.
9. Are there book clubs or reading communities I can join? Local Clubs: Check for local book clubs in libraries or community centers. Online Communities: Platforms like Goodreads have virtual book clubs and discussion groups.

10. Can I read Manual Fuji Ef X books for free? Public Domain Books: Many classic books are available for free as they're in the public domain. Free E-books: Some websites offer free e-books legally, like Project Gutenberg or Open Library.

Find Manual Fuji Ef X :

manual usuario audi a6 avant

manual vw bug convertible

manual wind wrist watches

manual workshop kia visto

manual windows 81

manual vespa lx150

manual zf 6wg 180

manual tokheim 162

manuale citroen c5 2004 italiano

manual walter cp88

manuale d& 39; amore 2 streaming

manual toyota corolla fx 16

manual transmittion parts

manual x6 romana

manual zx 750 87

Manual Fuji Ef X :

10 hard nurse educator interview questions with sample answers - Aug 21 2023

web here the interviewer wants to know more about how you feel about being a nurse educator refrain from simply repeating the information stated in your curriculum vitae let the interviewer know how passionate you are about the position answer i worked as a clinical nurse educator for a long time

10 common nursing interview questions to help you practice coursera - Mar 04 2022

web jun 16 2023 this guide gets you started with a list of common interview questions for nurses along with the kinds of answers the interviewer is looking for from you 1 tell me about yourself to succinctly answer this question focus on something about yourself that relates to the nursing role you're interviewing

top 15 nurse educator job interview questions answers tips - Apr 17 2023

web aug 14 2023 1 what inspired you to become a nurse educator and how does your background as a nurse influence your teaching approach 2 how do you keep up to date with the latest developments and best practices in nursing education and the nursing profession 3 what teaching methods do you employ to engage and motivate your

20 clinical nurse educator interview questions and answers - Dec 13 2022

web feb 4 2023 interviewprep career coach published feb 4 2023 are you preparing for an interview as a clinical nurse educator you re in the right place to help you make sure you ace it we ve rounded up some of the most common questions asked during interviews for this role plus advice on how to answer them and example responses

interview questions for a nurse educator best 15 of those - Jun 07 2022

web the third one on the list of the best interview questions for a nurse educator faculty position is about rectifying your mistakes you should not shy away from telling about your mistakes and flaws you should proudly own them take a lesson and move ahead tell them why the mistake has happened and what was your part in the mistake

15 clinical nurse educator interview questions with example answers - May 18 2023

web example the most important qualities for a successful clinical nurse educator are 1 the ability to develop strong relationships with students 2 the ability to effectively communicate both verbally and written 3 the ability to create a supportive and positive learning environment 4

17 nursing clinical instructor interview questions and answers - Oct 11 2022

web jul 17 2022 top 20 clinical nurse educator interview questions answers 2023 uplift one interview insights published jul 17 2022 a nursing clinical trainer is responsibly to the education the training of feeding students they work with nursing students in a klinical setting to provide hands on training

nurse educator interview questions betterteam - Sep 10 2022

web interview questions for nurse educators 1 can you describe a time when you implemented a new program of study look for candidates who demonstrate creative thinking skills as well as current knowledge of clinical nursing practices and procedures take note of candidates who answer in a negative way and further cannot offer an

top 10 nurse educator interview questions and answers - Nov 12 2022

web how to prepare for a nurse educator job interview 10 tips top common nurse educator interview questions and how to answer them

43 nurse educator interview questions with sample answers - Sep 22 2023

web sep 6 2023 here are general interview questions for this position what is your greatest improvement area as a nurse educator describe your communication style when you are in the classroom what are your short and long term career goals

what do you know about our company what did you like most about your last job how would your colleagues

7 common nurse educator interview questions fixed career - Jul 08 2022

web see also interview questions for assistant director of nursing 5 tell us about yourself one of the most common interview questions this question is designed to get to know you better as a person this is the chance the interviewer gives you to market yourself and your qualifications for the job

30 nursing instructor interview questions and answers - Jan 14 2023

web may 20 2023 common nursing instructor interview questions how to answer them and example answers from a certified career coach interviewprep career coach published may 20 2023 embarking on a career as a nursing instructor is an opportunity to combine your passion for teaching with your clinical expertise

nurse educator interview questions useful tips in 2023 - Aug 09 2022

web may 18 2023 here is a list of various clinical nurse educator interview questions you may receive and the strategy you should employ in answering them tell us about yourself this is the most common question you will encounter in an interview it is not only in nurse educator interviews but also in all other fields

15 nurse educator interview questions with example answers - Jun 19 2023

web use this template common nurse educator interview questions what inspired you to pursue a career in nursing education what do you think are the most important attributes for a successful nurse educator what do you think are the biggest challenges faced by nurse educators what do you think is the most rewarding aspect of your job

30 nurse educator interview questions and answers - Jul 20 2023

web may 2 2023 1 what inspired you to become a nurse educator interviewers ask this question to understand your motivation and passion for nursing education they want to know that you have a genuine interest in teaching and mentoring future nurses which is essential for creating an engaged learning environment

8 nursing interview question examples with sample answers - Apr 05 2022

web nov 23 2022 in your nursing interview use your replies to demonstrate your capacity to provide the highest level of care to your patients you can prepare questions to ask your interviewer and update your resume in addition to rehearsing your replies discussed below are some frequent nurse interview question examples and sample answers to practise 1

top 10 nursing interview questions with example answers - May 06 2022

web jul 27 2023 6 describe how you manage a busy workload when you respond to this question highlight your dedication to attending to your patients during a variety of conditions while also emphasizing your ability to remain organized and

35 nurse educator interview questions with sample answers - Mar 16 2023

web jul 9 2022 interviewing news interviewing 35 nurse educator interview questions with sample answers 35 nurse

educator interview questions with sample answers indeed editorial team updated july 9 2022 nurse educators provide knowledge to both present and prospective nursing students

20 nurse educator interview questions to help you practice careerbuilder - Feb 15 2023

web 20 nurse educator interview questions to help you practice experienced nurses with a graduate degree in their field often choose to train those new to the industry as a nurse educator these leaders are strong communicators with a desire to continually develop their own understanding of the best practices for nursing education

35 nurse educator interview questions with sample answers - Oct 23 2023

web mar 16 2023 news interviewing 35 nurse educator interview questions with sample answers 35 nurse educator interview questions with sample answers indeed editorial team updated march 16 2023 nurse educators are professionals who teach both current and future nursing students

moneyball by vwr issuu - Nov 07 2022

web may 19 2016 date due section 1 moneyball all 22 questions answered accurately and comprehensively 4 mks most of the 22 questions answered accurately and comprehensively 3 mks all or most of

solved application case 1 4 moneyball analytics in sports - Mar 31 2022

web chapter 1 problem application case 10 application case 1 4 moneyball analytics in sports and application case 1 4 moneyball analytics in sports and movies 1 an expert is currently solving this for you in the answer section you can contact customer support to know the status or even get an instant answer if you are a premium

ap statistics ssection 1 1 moneyball - Jul 15 2023

web section 1 moneyball 4 all 22 questions answered accurately and comprehensively 4 mks most of the 22 questions answered accurately and comprehensively 3 mks

moneyball questions and answers q a gradesaver - Jul 03 2022

web mar 29 2022 the question and answer sections of our study guides are a great resource to ask questions find answers and discuss literature home moneyball q a ask a question and get answers from your fellow students and educators

moneyball post reading discussion questions shortform - Feb 27 2022

web sep 14 2022 moneyball the art of winning an unfair game is the story are the 2002 oakland athletics and their general manager billy among beane assembles a winning group on a shoestring budget by using an analyzative and scientific approach to evaluate jede player s contributions although the a s take many players with atypical physiological

download ebook section 1 moneyball answers pdf file free - Dec 28 2021

web aug 23 2023 section 1 moneyball answers is available in our book collection an online access to it is set as public so you can download it instantly our digital library hosts in multiple countries allowing you to get the most less latency time to

download any of our books like this one kindly say the section 1 moneyball answers is universally
[moneyball video notes answers pdf name ap statistics](#) - Feb 10 2023

web name answers ap statistics assignment section 1 1 moneyball moneyball 1 in 1991 what was the total payroll for new york yankees 114 457 768 oakland athletics 39 722 689 114 457 768 oakland athletics 39 722 689
moneyball 396 plays quizizz - Jun 02 2022

web moneyball quiz for 10th grade students find other quizzes for mathematics and more on quizizz for free
moneyball q a flashcards quizlet - Apr 12 2023

web what is the problem that billy beane and his scouts had to solve building a team on a limited budget that can compete against teams with a lot of money when billy was in high school and being scouted for baseball why did the scouts think that billy would be picked in the first round billy was a 5 tool guy
moneyball quiz quizizz - Oct 06 2022

web moneyball quiz quiz for 11th grade students find other quizzes for mathematics and more on quizizz for free
moneyball section 1 flashcards quizlet - Jun 14 2023

web study the entries and answer the questions that follow the roots corp and corpor mean body the root rupt means to break the prefix inter means between or among if someone's appendix ruptures then it if a bank has no money then it can be described as
moneyball essay questions gradesaver - Sep 05 2022

web the question and answer section for moneyball is a great resource to ask questions find answers and discuss the novel ask your own question study guide for moneyball
moneyball summary gradesaver - Aug 04 2022

web moneyball questions and answers the question and answer section for moneyball is a great resource to ask questions find answers and discuss the novel ask your own question
moneyball wikipedia - Jan 29 2022

web moneyball the art of winning an unfair game is a book by michael lewis published in 2003 about the oakland athletics baseball team and its general manager billy beane its focus is the team's analytical evidence based sabermetric approach to assembling a competitive baseball team despite oakland's small budget a film based on lewis book
moneyball video notes answers pdf baseball teams sports - Jan 09 2023

web section 1 moneyball 1 2 3 4 5 6 in 1991 what was the total payroll for new york yankees the three players that the oakland athletics lost to free agency are what was billy beane general manager told to do by the team owner of the athletics
[section 1 moneyball moneyball docslib](#) - May 13 2023

web name answers ap statistics assignment section 1 moneyball 1 in 1991 what was the total payroll for new york yankees 114 457 768 oakland athletics 39 722 689 2 the three players that the oakland athletics will to lose to free agency are johnny damon jason giambi jason isringhausen 3

[ap statistics assignment moneyball answers earthessay](#) - May 01 2022

web ap statistics assignment moneyball answers in 2021 this image representes ap statistics assignment moneyball answers transcribed image text page 1 of 8 ap statistics assignment linear regression lines use the data set below to answer questions through 13

[ap statistics ssignment ssection 1 1 moneyball](#) - Aug 16 2023

web ssection 1 1 moneyball 1 in1991 what was the total payroll for new york yankees oakland athletics 2 the three players that the oakland athletics losttofreeagencyare 3 what was billy beane general manager told to do by the team owner of the athletics

moneyball questions and answers enotes com - Mar 11 2023

web by michael lewis summary analysis moneyball questions and answers what are the central themes of moneyball by michael lewis and how do they relate to business management what qualities made

[moneyball moneyball docslib](#) - Dec 08 2022

web section 1 moneyball 4 all 22 questions answered accurately and comprehensively 4 mks most of the 22 questions answered accurately and comprehensively 3 mks all or most of the questions answered but details missing in many answers 2 mks no detail to answers provided 1 mks incomplete 0 mks

[meetup member discussion and questions](#) - Jun 16 2023

web jul 30 2021 meetup member board for discussions about groups or general questions moderators and experts are always around to point members in the right direction go

[discuss meetup com forums index](#) - Sep 19 2023

web sep 27 2023 join the discussion and share with fellow organizers meetup member board for discussions about groups or general questions moderators and experts are always around to point members in the right direction discuss technical issues

9 new ideas for member networking meetups - Feb 12 2023

web oct 21 2023 mission to grow the world s collective consciousness through meaningful discussions in the 8 years we have hosted over 1500 events in 27 cities among 11

[popular topics meetup](#) - Jul 17 2023

web find meetup events so you can do more of what matters to you or create your own group and meet people near you who

share your interests

21 powerful questions you can ask in any meeting - Nov 09 2022

web oct 2 2023 mindful conversation topics are a wonderful way to deepen relationships or foster meaningful discussions with friends family co workers and strangers here s a

discussion board and forum view discuss meetup com forums - Mar 01 2022

web 4 discussion questions meetup 2022 08 23 attract famous writers and artists and some of the scoundrels linked with monte carlo s underworld the murphy set will go on to

how to create a communication plan for your meetup - May 15 2023

web skip to content

99 mindful conversation topics for deeper connections - Aug 06 2022

web discussion questions how often do you meet new people how do you usually meet them when you meet someone for the first time how do you feel how long does it

big questions from the pittagile gathering retro meetup - Apr 02 2022

web jan 4 2021 discussions get buried under new discussions at the bottom of a group home page and almost impossible to point to one specific message old ones are

meeting people conversation questions print discuss - May 03 2022

web meetup organizers can access statistics about their groups you can monitor how your group grows how active your members are and which events they re most drawn to it s

200 great questions to get to know someone conversation - Jul 25 2021

meetup we are what we do - Mar 13 2023

web nov 26 2019 leverage our free discussion guides to make hosting meet up discussions a piece of cake 7 share personal stories the best way to get people to open up and

12 tips for hosting a great discussion group empower collective - Jan 11 2023

web discussion questions that ask learners to share what they already know about a new idea problem or related concept can be an equally impactful way to get the conversation

organizer discussion and questions discuss meetup com - Aug 18 2023

web jun 18 2023 whether you re just getting started or are a seasoned organizer everyone has questions join the discussion and share with fellow organizers welcome to

discussion questions meetup - Nov 28 2021

web jun 11 2023 meetup should instead fix their existing problems including dealing with those mentioned above to alleviate just a little stress that meetup organizers have to go

how to talk to children about the violence in israel and gaza - Oct 28 2021

web 1 what shows are you into probably at least one or two shows they mention will be shows that you've seen and can talk about and even if not then you can get them to explain

profile question discuss meetup com forums - Jun 04 2022

web feb 6 2015 1 january 27 2015 02 50 53 pm i don't know about forums on other platforms but with respect to the lost threads and posts have you and the organizer tried

frequently asked questions meetup - Jul 05 2022

web pittagile october meetup big questions from the pittagile gathering retro hosted by dave m and brian h details on wednesday october 25th the pittagile group will be

group settings meetup - Jan 31 2022

web oct 11 2023 for parents to provide that context most effectively anselme advised parents to do an internal check in before opening a conversation with their children start with

submit your questions for the power auer podcast - Sep 26 2021

meetup please stop trying to improve the site discuss - Aug 26 2021

meetup find local groups events and activities - Apr 14 2023

web post the discussion topic or questions ahead of time or ask someone to give a five to ten minute presentation to get things going then attendees can join the discussion for

difference between message boards and discussions - Dec 30 2021

web oct 16 2023 leave your questions below for nicole auerbach and chris vannini and they will be answered this week on the power auer podcast

group and member communications meetup - Sep 07 2022

web 1 november 05 2018 01 37 36 pm for years i used to have profile questions on my groups i got rid of them because i didn't find much correlation between the quality of a

how to write discussion questions that actually spark - Oct 08 2022

web frequently asked questions follow reporting a bug or error where are my group's pages how to take a screen recording sharing product feedback why can't i pay for

meaningful discussions in melbourne meetup - Dec 10 2022

web managing event communications event chat how do i email my members how do i manage discussions how do i make a custom email list how do i edit my meetup