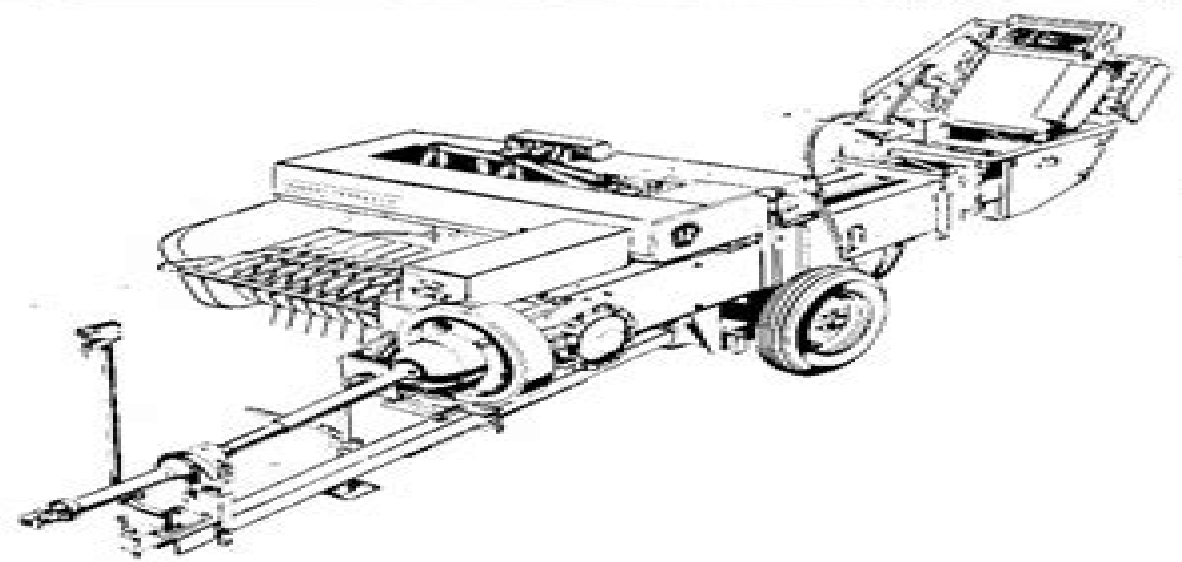


Milton Hatten - 5/5/66

PARTS BOOK

**MF 12
HAY BALER**



MF **Massey Ferguson**
NORTH AMERICAN PARTS OPERATION

FORM NO. 651 192 M94

Mf 12 Square Baler Manual

LM Reder



Mf 12 Square Baler Manual:

When people should go to the book stores, search commencement by shop, shelf by shelf, it is truly problematic. This is why we offer the ebook compilations in this website. It will utterly ease you to see guide **Mf 12 Square Baler Manual** as you such as.

By searching the title, publisher, or authors of guide you in point of fact want, you can discover them rapidly. In the house, workplace, or perhaps in your method can be every best place within net connections. If you aspire to download and install the Mf 12 Square Baler Manual, it is unconditionally easy then, previously currently we extend the associate to purchase and create bargains to download and install Mf 12 Square Baler Manual for that reason simple!

<https://www.splashdogs.com/results/scholarship/HomePages/ford%20focus%2005%20manual.pdf>

Table of Contents Mf 12 Square Baler Manual

1. Understanding the eBook Mf 12 Square Baler Manual
 - The Rise of Digital Reading Mf 12 Square Baler Manual
 - Advantages of eBooks Over Traditional Books
2. Identifying Mf 12 Square Baler Manual
 - Exploring Different Genres
 - Considering Fiction vs. Non-Fiction
 - Determining Your Reading Goals
3. Choosing the Right eBook Platform
 - Popular eBook Platforms
 - Features to Look for in an Mf 12 Square Baler Manual
 - User-Friendly Interface
4. Exploring eBook Recommendations from Mf 12 Square Baler Manual
 - Personalized Recommendations
 - Mf 12 Square Baler Manual User Reviews and Ratings
 - Mf 12 Square Baler Manual and Bestseller Lists

5. Accessing Mf 12 Square Baler Manual Free and Paid eBooks
 - Mf 12 Square Baler Manual Public Domain eBooks
 - Mf 12 Square Baler Manual eBook Subscription Services
 - Mf 12 Square Baler Manual Budget-Friendly Options
6. Navigating Mf 12 Square Baler Manual eBook Formats
 - ePub, PDF, MOBI, and More
 - Mf 12 Square Baler Manual Compatibility with Devices
 - Mf 12 Square Baler Manual Enhanced eBook Features
7. Enhancing Your Reading Experience
 - Adjustable Fonts and Text Sizes of Mf 12 Square Baler Manual
 - Highlighting and Note-Taking Mf 12 Square Baler Manual
 - Interactive Elements Mf 12 Square Baler Manual
8. Staying Engaged with Mf 12 Square Baler Manual
 - Joining Online Reading Communities
 - Participating in Virtual Book Clubs
 - Following Authors and Publishers Mf 12 Square Baler Manual
9. Balancing eBooks and Physical Books Mf 12 Square Baler Manual
 - Benefits of a Digital Library
 - Creating a Diverse Reading Collection Mf 12 Square Baler Manual
10. Overcoming Reading Challenges
 - Dealing with Digital Eye Strain
 - Minimizing Distractions
 - Managing Screen Time
11. Cultivating a Reading Routine Mf 12 Square Baler Manual
 - Setting Reading Goals Mf 12 Square Baler Manual
 - Carving Out Dedicated Reading Time
12. Sourcing Reliable Information of Mf 12 Square Baler Manual
 - Fact-Checking eBook Content of Mf 12 Square Baler Manual
 - Distinguishing Credible Sources
13. Promoting Lifelong Learning

- Utilizing eBooks for Skill Development
 - Exploring Educational eBooks
14. Embracing eBook Trends
- Integration of Multimedia Elements
 - Interactive and Gamified eBooks

Mf 12 Square Baler Manual Introduction

Free PDF Books and Manuals for Download: Unlocking Knowledge at Your Fingertips In today's fast-paced digital age, obtaining valuable knowledge has become easier than ever. Thanks to the internet, a vast array of books and manuals are now available for free download in PDF format. Whether you are a student, professional, or simply an avid reader, this treasure trove of downloadable resources offers a wealth of information, conveniently accessible anytime, anywhere. The advent of online libraries and platforms dedicated to sharing knowledge has revolutionized the way we consume information. No longer confined to physical libraries or bookstores, readers can now access an extensive collection of digital books and manuals with just a few clicks. These resources, available in PDF, Microsoft Word, and PowerPoint formats, cater to a wide range of interests, including literature, technology, science, history, and much more. One notable platform where you can explore and download free Mf 12 Square Baler Manual PDF books and manuals is the internet's largest free library. Hosted online, this catalog compiles a vast assortment of documents, making it a veritable goldmine of knowledge. With its easy-to-use website interface and customizable PDF generator, this platform offers a user-friendly experience, allowing individuals to effortlessly navigate and access the information they seek. The availability of free PDF books and manuals on this platform demonstrates its commitment to democratizing education and empowering individuals with the tools needed to succeed in their chosen fields. It allows anyone, regardless of their background or financial limitations, to expand their horizons and gain insights from experts in various disciplines. One of the most significant advantages of downloading PDF books and manuals lies in their portability. Unlike physical copies, digital books can be stored and carried on a single device, such as a tablet or smartphone, saving valuable space and weight. This convenience makes it possible for readers to have their entire library at their fingertips, whether they are commuting, traveling, or simply enjoying a lazy afternoon at home. Additionally, digital files are easily searchable, enabling readers to locate specific information within seconds. With a few keystrokes, users can search for keywords, topics, or phrases, making research and finding relevant information a breeze. This efficiency saves time and effort, streamlining the learning process and allowing individuals to focus on extracting the information they need. Furthermore, the availability of free PDF books and manuals fosters a culture of continuous learning. By removing financial barriers, more people can access educational resources and pursue lifelong learning, contributing to personal

growth and professional development. This democratization of knowledge promotes intellectual curiosity and empowers individuals to become lifelong learners, promoting progress and innovation in various fields. It is worth noting that while accessing free Mf 12 Square Baler Manual PDF books and manuals is convenient and cost-effective, it is vital to respect copyright laws and intellectual property rights. Platforms offering free downloads often operate within legal boundaries, ensuring that the materials they provide are either in the public domain or authorized for distribution. By adhering to copyright laws, users can enjoy the benefits of free access to knowledge while supporting the authors and publishers who make these resources available. In conclusion, the availability of Mf 12 Square Baler Manual free PDF books and manuals for download has revolutionized the way we access and consume knowledge. With just a few clicks, individuals can explore a vast collection of resources across different disciplines, all free of charge. This accessibility empowers individuals to become lifelong learners, contributing to personal growth, professional development, and the advancement of society as a whole. So why not unlock a world of knowledge today? Start exploring the vast sea of free PDF books and manuals waiting to be discovered right at your fingertips.

FAQs About Mf 12 Square Baler Manual Books

How do I know which eBook platform is the best for me? Finding the best eBook platform depends on your reading preferences and device compatibility. Research different platforms, read user reviews, and explore their features before making a choice. Are free eBooks of good quality? Yes, many reputable platforms offer high-quality free eBooks, including classics and public domain works. However, make sure to verify the source to ensure the eBook credibility. Can I read eBooks without an eReader? Absolutely! Most eBook platforms offer webbased readers or mobile apps that allow you to read eBooks on your computer, tablet, or smartphone. How do I avoid digital eye strain while reading eBooks? To prevent digital eye strain, take regular breaks, adjust the font size and background color, and ensure proper lighting while reading eBooks. What the advantage of interactive eBooks? Interactive eBooks incorporate multimedia elements, quizzes, and activities, enhancing the reader engagement and providing a more immersive learning experience. Mf 12 Square Baler Manual is one of the best book in our library for free trial. We provide copy of Mf 12 Square Baler Manual in digital format, so the resources that you find are reliable. There are also many Ebooks of related with Mf 12 Square Baler Manual. Where to download Mf 12 Square Baler Manual online for free? Are you looking for Mf 12 Square Baler Manual PDF? This is definitely going to save you time and cash in something you should think about. If you trying to find then search around for online. Without a doubt there are numerous these available and many of them have the freedom. However without doubt you receive whatever you purchase. An alternate way to get ideas is always to check another Mf 12 Square Baler Manual. This method for see exactly

what may be included and adopt these ideas to your book. This site will almost certainly help you save time and effort, money and stress. If you are looking for free books then you really should consider finding to assist you try this. Several of Mf 12 Square Baler Manual are for sale to free while some are payable. If you arent sure if the books you would like to download works with for usage along with your computer, it is possible to download free trials. The free guides make it easy for someone to free access online library for download books to your device. You can get free download on free trial for lots of books categories. Our library is the biggest of these that have literally hundreds of thousands of different products categories represented. You will also see that there are specific sites catered to different product types or categories, brands or niches related with Mf 12 Square Baler Manual. So depending on what exactly you are searching, you will be able to choose e books to suit your own need. Need to access completely for Campbell Biology Seventh Edition book? Access Ebook without any digging. And by having access to our ebook online or by storing it on your computer, you have convenient answers with Mf 12 Square Baler Manual To get started finding Mf 12 Square Baler Manual, you are right to find our website which has a comprehensive collection of books online. Our library is the biggest of these that have literally hundreds of thousands of different products represented. You will also see that there are specific sites catered to different categories or niches related with Mf 12 Square Baler Manual So depending on what exactly you are searching, you will be able to choose ebook to suit your own need. Thank you for reading Mf 12 Square Baler Manual. Maybe you have knowledge that, people have search numerous times for their favorite readings like this Mf 12 Square Baler Manual, but end up in harmful downloads. Rather than reading a good book with a cup of coffee in the afternoon, instead they juggled with some harmful bugs inside their laptop. Mf 12 Square Baler Manual is available in our book collection an online access to it is set as public so you can download it instantly. Our digital library spans in multiple locations, allowing you to get the most less latency time to download any of our books like this one. Merely said, Mf 12 Square Baler Manual is universally compatible with any devices to read.

Find Mf 12 Square Baler Manual :

[ford focus 05 manual](#)

~~[ford fiesta workshop manual torrent](#)~~

~~[ford flex navigation system manual](#)~~

~~[ford focus expert car maintenance schedule](#)~~

[ford falcon manual 1963](#)

[ford f150 2wd rear end service manual](#)

~~[ford figo service plan cost](#)~~

ford fiesta classic tdc1 repair manual

ford focus fuel line diagram

ford fiesta 2002 repair manual service

ford focus 2015 technical manual

ford f250 wiring diagrams

ford falcon au fuse diagram

ford focus 16 tdc1 service schedule

ford fiesta user manual 2012

Mf 12 Square Baler Manual :

sex drugs and risperidone a collection of reader download - Aug 02 2022

web sex drugs and risperidone a collection of reader 1 sex drugs and risperidone a collection of reader pediatric psychopharmacology disruptive behavior disorders

sex drugs and risperidone a collection of reader submitted - Apr 29 2022

web abrams clinical drug therapy rationales for nursing practice by adult gerontology cns exam secrets study guide cns test review for the adult gerontology clinical

sex drugs and risperidone a collection of reader submitted - Jul 13 2023

web sex drugs and risperidone a collection of reader submitted medical stories english edition ebook hamm kerry amazon de kindle store

sex drugs and risperidone a collection of reader download - Dec 06 2022

web sex drugs and risperidone a collection of reader downloaded from music school fbny org by guest huerta holden antipsychotic drugs and their side

sex drugs and risperidone a collection of reader submitted - Sep 03 2022

web risperidone risperdal anti psychotic drug side effects risperidone risperdal nami national alliance on a systematic review of the effects of cyp2d6 phenotypes on

download pdf sex drugs amp risperidone a - May 11 2023

web download pdf sex drugs risperidone a collection of medical stories from readers patient story template

sex drugs and risperidone a collection of reader full pdf - Mar 09 2023

web sex drugs and risperidone a collection of reader is additionally useful you have remained in right site to start getting this info acquire the sex drugs and risperidone

sex drugs and risperidone a collection of reader pdf 2023 - Jun 12 2023

web introduction sex drugs and risperidone a collection of reader pdf 2023 the maudsley prescribing guidelines david taylor 2009 10 30 one of the most widely used

sex drugs and risperidone a collection of reader pdf 2023 - Apr 10 2023

web aug 13 2023 now is sex drugs and risperidone a collection of reader pdf below first generation versus second generation antipsychotics in adults comparative

amazon com au customer reviews sex drugs and - Oct 04 2022

web find helpful customer reviews and review ratings for sex drugs and risperidone a collection of reader submitted medical stories at amazon com read honest and

unfinished business a collection of reader submitted medical - Dec 26 2021

web kerry hamm used her experiences in working in er registration to share tales of the sad funny and downright confusing to her wonderful readers she now compiles medical

sex drugs and risperidone a collection of reader 2022 - Mar 29 2022

web 2 sex drugs and risperidone a collection of reader 2023 08 20 provides guidance for the treatment of the most common sexual problems the book fills the need of many

sex drugs and risperidone a collection of reader download - Feb 08 2023

web sex drugs risperidone collection of reader submitted the unwanted effects of medications used in psychiatry can adversely affect a treatment plan this volume will

pdf sex drugs and risperidone a collection of reader - Aug 14 2023

web in this volume readers from around the globe touch down on the covid 19 pandemic weird patient complaints and more don t worry if you re new to either series you don t

sex and drugs wikipedia - Nov 24 2021

web sex and drugs date back to ancient humans and have been interlocked throughout human history both legal and illegal the consumption of drugs and their effects on the human

sex drugs and risperidone a collection of reader pdf free - Jan 07 2023

web sex drugs and risperidone a collection of reader pdf upload arnold c robertson 1 28 downloaded from voto uncal edu br on august 25 2023 by arnold c robertson sex

sex drugs and risperidone a collection of reader 2022 - Nov 05 2022

web you could buy lead sex drugs and risperidone a collection of reader or get it as soon as feasible you could speedily download this sex drugs and risperidone a

risperidone induced sexual dysfunction case report pmc - May 31 2022

web feb 23 2023 among the side effects of risperidone the most commonly reported sexual side effects include decreased libido 37 8 erectile dysfunction 32 1 and

sex drugs and risperidone a collection of reader download - Jul 01 2022

web kindly say the sex drugs and risperidone a collection of reader is universally compatible with any devices to read sex drugs and risperidone a collection of

risperidone drug study pdf risperidone antipsychotic scribd - Feb 25 2022

web chemical classes of drugs anti psychotic administration usual dose adults initial dosing is generally 2mg po daily adolescents ages 13 to 17 start treatment with 0 5 mg po

sex drugs and risperidone a collection of reader 2022 api - Jan 27 2022

web you could purchase lead sex drugs and risperidone a collection of reader or acquire it as soon as feasible you could speedily download this sex drugs and risperidone a

sex drugs and risperidone a collection of reader submitted - Oct 24 2021

web jul 29 2023 mind sex drugs and risperidone a collection of reader risperidone plete drug information side effects and mon and rare side effects for risperidone oral drug

informations und kommunikationstechnik springer - Aug 25 2022

web wandel an und der einsatz von informations und kommunikationstechnik bewirkt ob nun geplant oder ungeplant jedenfalls viewiltige wandlungsprozesse in den öffentlichen ver waltungen so kann es nicht verwundern dass die themen der reform und der informatisie rung von beginn an schon immer eng miteinander verflochten waren wenn

informations und kommunikationstechnik im einsatz lfs bw - Oct 07 2023

web informations und kommunikationstechnik iuk technik umfasst alle iuk mittel iuk verbindungen und für deren nutzung zu treffenden maß nahmen sie gewährleistet die informationsübertragung und die kommunikation im einsatz sowie deren dokumentation dies umfasst auch das bereit stellen von sprach und datendiensten

management der informations und kommunikationstechnik - Dec 29 2022

web jan 1 2015 ziel des ikt managements ist es durch den effektiven und effizienten einsatz von informations und kommunikationstechnik einen beitrag zur steigerung des unternehmenswertes zu leisten aus diesem ziel lassen sich in der operationalisierung einzelne aufgaben ableiten

informations und kommunikationstechnik im einsatz - Sep 06 2023

web 1 1 allgemeines informations und kommunikationstechnik iuk technik umfasst alle iuk mittel iuk verbindungen und für deren nutzung zu trefenden maßnahmen sie gewährleistet die informationsübertragung und die kommunikation im

informations und kommunikationstechnik im einsatz - Aug 05 2023

web informations und kommunikationstechnik iuk techniek umfasst alle iuk mittel iuk verbindungen und für deren nutzung zu treffenden die maßnahmen sie gewährleistet die informationsübermittlung und die kommunikation im einsatz sowie deren dokumentation dies umfasst auch das bereitstellen von sprach und datendiensten

15 1 Grundlagen zur informations und kommunikationstechnik - Jul 24 2022

web seit mehreren jahren findet die informations und kommunikationstechnik zuneh mend einzug in betriebe und hat hier maßgebliche veränderungen verursacht oder ermöglicht

anhang fwdv 800 rderl informations und kommunikationstechnik im einsatz - May 02 2023

web nov 6 2017 informations und kommunikationstechnik iuk techniek umfasst alle iuk mittel iuk verbindungen und für deren nutzung zu treffenden maßnahmen sie gewährleistet die informationsübertragung und die kommunikation im

informations und kommunikationstechnik im einsatz buch thalia - Nov 27 2022

web informations und kommunikationstechnik im einsatz fwdv 800 buch taschenbuch 4 00 inkl gesetzl mwst versandkostenfrei artikel liefern lassen sofort lieferbar in den warenkorb click collect verfügbarkeit in ihrer buchhandlung prüfen sie haben noch keine buchhandlung ausgewählt click collect ist versandkostenfrei buchhandlung auswählen

informations und kommunikations technik im einsatz - Mar 20 2022

web feuerwehr dienstvorschrift 800 fwdv 800 informations und kommunikationstechnik im einsatz diese dienstvorschrift wurde vom ausschuss feuerwehrangelegenheiten katastrophenschutz und zivile verteidigung afkzv auf der 42 sitzung am 21 und 22 märz 2018 in düsseldorf ge nehmigt und den ländern zur einföhrung empfohlen

informations und kommunikationstechnik springerlink - Jan 30 2023

web zusammenfassung verwaltungsreform strebt einen geplanten wandel an und der einsatz von informations und kommunikationstechnik bewirkt ob nun geplant oder ungeplant jedenfalls vielfältige wandlungsprozesse in den öffentlichen verwaltungen

kommunikationstechnik beispiele merkmale studysmarter - Oct 27 2022

web informations und kommunikationstechnik ikt kombination von it und kommunikationstechnik die unterschiede und gemeinsamkeiten zwischen kommunikationstechnik und informationstechnologie modulation veränderung der eigenschaften eines signals zur informationsübertragung

informations und kommunikationstechnologie vdi vde - May 22 2022

web informations und kommunikationstechnologien sind das zentrale nervensystem der vernetzten welt zum beispiel in der smart city oder beim vernetzten autonomen fahren informations und kommunikationssysteme vernetzen schon heute milliarden geräte im internet der dinge mit stark steigender tendenz

informations und kommunikationstechnik im einsatz - Feb 16 2022

web informations und kommunikationstechnik im einsatz 2018 12 19 der einsatz von informations und kommunikationstechnik einer bürgernahen und dezentralisierten verwaltung im öffentlichen bereich bu young han 1997 der einsatz von informations und kommunikationstechnik einer bürgernahen und denzentralisierten *nutzung von ikt in unternehmen statistisches bundesamt* - Sep 25 2022

web die effektive nutzung moderner informations und kommunikationstechnologien ikt ist für unternehmen zu einem wichtigen strategischen faktor geworden durch den einsatz von ikt lässt sich die produktivität von unternehmen steigern und so die wettbewerbsfähigkeit verbessern

informations und kommunikationstechnologie globalisierung - Jun 22 2022

web der begriff digital divide wird auch im deutschen sprachraum verwendet und steht für die unterschiedlichen zugangsmöglichkeiten im bereich der informations und kommunikationstechnologien meistens werden in diesem was ist informations und kommunikationstechnik htw berlin - Feb 28 2023

web die informations und kommunikationstechnik ikt ist eine ingenieurwissenschaft an der schnittstelle von elektrotechnik und informatik falls sie wissen möchten wie ikt funktioniert und sie sich schon einmal einige der fragen auf dieser seite gestellt haben dann ist der studiengang ikt genau das richtige für sie htw berlin digitalisierung in der informations und kommunikationstechnik - Apr 20 2022

web die vorteile durch den einsatz von internet of things technologie im bereich kommunikationstechnik sind zahlreich und weitreichend wie auch in anderen disziplinen z b industrie gesundheitswesen transport ist eine zukunft ohne ihren umfassenden einsatz höchst unwahrscheinlich

information und kommunikation wikipedia - Apr 01 2023

web information und kommunikation iuk ist ein zusammenfassender begriff für informationsverarbeitung und kommunikation in der technologischen form informations und kommunikationstechnik wird das begriffspaar auch als ikt abgekürzt diese seite wurde zuletzt am 13 märz 2023 um 10 13 uhr bearbeitet

was ist informations und kommunikationstechnik denn - Jun 03 2023

web das studium der informations und kommunikationstechnik warum soll ich informations und kommunikationstechnik studieren informations und kommunikationstechnik ist eine gesellschaftlich wichtige basistechnologie da sie den menschen bei der verwirklichung seinen grundbedürfnissen nach vernetzung und *informations und kommunikationstechnik wikipedia* - Jul 04 2023

web informations und kommunikationstechnik wird auch als deckbegriff definiert der jegliches kommunikationsinstrument bzw jegliche kommunikationsanwendung beinhaltet inklusive radio fernsehen mobiltelefone handys hardware und software

für computer und netzwerke satellitensysteme usw sowie die verschiedenen dienstleistungen und

matematica verde con tutor vol 3a 3b per le scuole superiori con - Apr 07 2022

web jun 17 2021 con tutor vol 3a 3b per le scuole superiori con e book con espansione online free download scarica gratis

libro matematica verde con tutor vol 3a 3b per le scuole superiori con e book

bergamini barozzi trifone zanichelli online per la scuola - Jan 16 2023

web soluzioni degli esercizi you maths per ogni capitolo sono qui riportati gli svolgimenti degli esercizi you maths contenuti nel libro consultabili anche all interno dell ebook volume 1

matematica verde con tutor vol 3a 3b per le scuole superiori con - May 08 2022

web scarica matematica verde con tutor vol 3a 3b per le scuole superiori con e book con espansione online pdf free ebook download gratis epub matematica verde con

matematica verde con tutor per le scuole superiori con e book con - Apr 19 2023

web acquista matematica verde con tutor per le scuole superiori con e book con espansione online vol 4a 4b 9788808928702 con il 7 di sconto su libreria universitaria acquista tutti i libri per la tua scuola e ricevili direttamente a casa tua

colori della matematica ediz verde per le scuole superiori con - Jul 10 2022

web colori della matematica ediz verde per le scuole superiori con e book con espansione online vol 5 sasso leonardo zoli enrico amazon it libri libri

matematica verde con tutor per le scuole superiori con e book con - Aug 23 2023

web acquista online il libro matematica verde con tutor per le scuole superiori con e book con espansione online 4a 4b di massimo bergamini graziella barozzi anna trifone in offerta a prezzi imbattibili su mondadori store

matematica verde per le scuole superiori con contenuto - Jan 04 2022

web matematica verde per le scuole superiori con contenuto digitale fornito elettronicamente 1 massimo bergamini graziella barozzi anna trifone libro mondadori store libri scolastici famiglia scuola e università libri scuola 1

matematica multimediale verde con tutor per le scuole superiori con - Aug 11 2022

web compra matematica multimediale verde con tutor per le scuole superiori con e book con espansione online vol 2 spedizione gratuita su ordini idonei

matematica verde per le scuole superiori con e book con - Feb 17 2023

web compra matematica verde per le scuole superiori con e book con espansione online spedizione gratuita su ordini idonei

matematica verde con tutor per le scuole superiori con e book con - Sep 12 2022

web matematica verde con tutor per le scuole superiori con e book con espansione online vol 4a 4b è un libro di bergamini massimo barozzi graziella trifone anna pubblicato da zanichelli isbn 9788808928702

matematica colori verde usato in italia vedi tutte i 10 prezzi - Feb 05 2022

web spedito ovunque in italia amazon dal 18 09 prezzo 21 stato del prodotto usato vedere di più 9788849420241 matematica color libri di testo verde un soggetto di tipo aritmetica e matematica un livello d istruzione qualificato di scuola secondaria di un lingua italiano per esempio edizione verde

matematica verde per le scuole superiori con contenuto - Jul 22 2023

web matematica verde per le scuole superiori di massimo bergamini autore anna trifone autore graziella barozzi autore zanichelli 0 23 13 37 30

colori della matematica edizione verde deascuola - Mar 06 2022

web il corso colori della matematica edizione verde per il secondo biennio e quinto anno propone le seguenti novità 1 sviluppo delle competenze l indice è stato rinnovato per proporre un percorso più moderno e orientato allo sviluppo delle competenze in particolare sono stati ridistribuiti il calcolo della probabilità l analisi numerica il calcolo

matematica multimediale verde tutor di matematica con - Oct 13 2022

web matematica multimediale verde tutor di matematica con fascicolo costruire le competenze per le scuole superiori con e book con espansione online bergamini massimo barozzi graziella amazon it libri

matematica verde per le scuole superiori con e book con - Mar 18 2023

web acquista matematica verde per le scuole superiori con e book con espansione online vol 4a 4b 9788808614384 con il 5 di sconto su libreria universitaria acquista tutti i libri per la tua scuola e ricevili direttamente a casa tua

matematica verde per le scuole superiori con e book con - Dec 15 2022

web matematica verde per le scuole superiori con e book con espansione online vol 3a 3b 9788808419361 5 di sconto libreria universitaria libri scolastici bambini e ragazzi materiale educativo matematica e aritmetica risparmi o 3 rate da 12 10 senza interessi con i disponibile in 7 8 giorni lavorativi quantità metti nel carrello

matematica verde zanichelli - Nov 14 2022

web matematica verde isbn 9788808112996 2010 un libro di matematica a colori che illustra con fotografie il legame tra matematica e realtà e mette in evidenza a colpo d occhio ciò che è

matematica verde per le scuole superiori con e book con - Jun 21 2023

web matematica verde per le scuole superiori con e book con espansione online vol 4a 4b bergamini massimo barozzi graziella trifone anna amazon it libri libri

matematica verde per le scuole superiori con contenuto - May 20 2023

web acquista matematica verde per le scuole superiori con contenuto digitale fornito elettronicamente 9788808831538 su libreria universitaria acquista tutti i libri per la tua scuola e ricevili direttamente a casa tua

matematica verde con tutor vol 3a 3b per le scuole superiori con - Jun 09 2022

web sep 22 2020 con tutor vol 3a 3b per le scuole superiori con e book con espansione online pdf scaricare libri matematica verde con tutor vol 3a 3b per le scuole superiori con e book