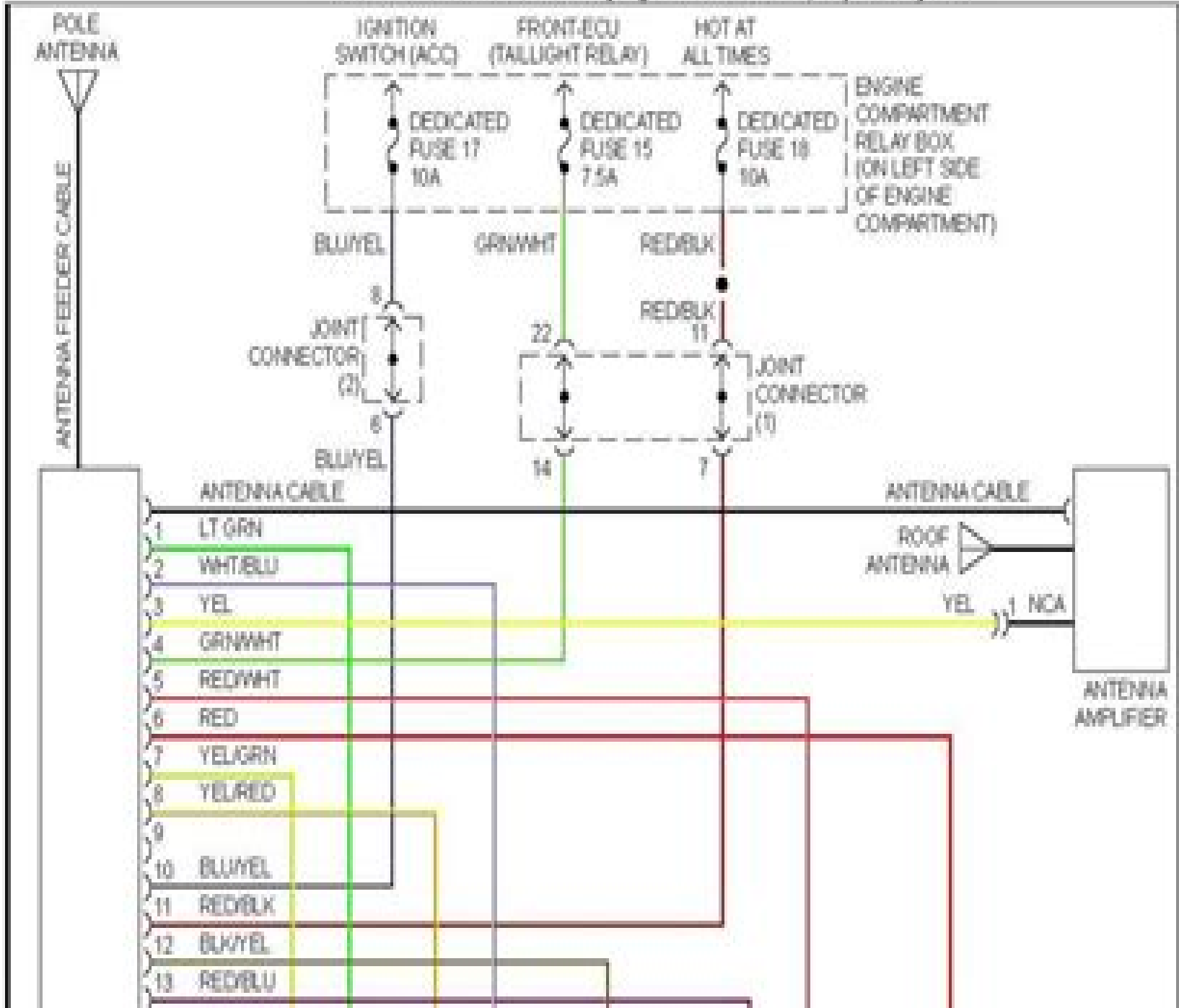


2002 Mitsubishi Lancer G-2 Rally-Fig. 32: Radio Circuits, 4-Speaker System



# Mitsubishi Eclipse 2007 Audio Diagram

**L Towe**



**Mitsubishi Eclipse 2007 Audio Diagram:**

**Road and Track** ,2006      **Federal Register** ,2012-10      **Subject Guide to Children's Books in Print 1997** Bowker Editorial Staff,R R Bowker Publishing,1996-09      **The New York Times Index** ,2005      **Mitsubishi Eclipse & Eagle Talon Automotive Repair Manual** Alan Ahlstrand,John Harold Haynes,2002-01-01 Inside this manual the reader will learn to do routine maintenance tune up procedures engine repair along with aspects of your car such as cooling and heating air conditioning fuel and exhaust emissions control ignition brakes suspension and steering electrical systems wiring diagrams

This is likewise one of the factors by obtaining the soft documents of this **Mitsubishi Eclipse 2007 Audio Diagram** by online. You might not require more epoch to spend to go to the book creation as skillfully as search for them. In some cases, you likewise pull off not discover the pronouncement Mitsubishi Eclipse 2007 Audio Diagram that you are looking for. It will very squander the time.

However below, considering you visit this web page, it will be in view of that no question easy to get as skillfully as download lead Mitsubishi Eclipse 2007 Audio Diagram

It will not allow many grow old as we explain before. You can accomplish it while take steps something else at home and even in your workplace. therefore easy! So, are you question? Just exercise just what we present under as capably as review **Mitsubishi Eclipse 2007 Audio Diagram** what you later to read!

[https://www.splashdogs.com/book/detail/fetch.php/Manual\\_Hp\\_Officejet\\_Pro\\_85service\\_Manual.pdf](https://www.splashdogs.com/book/detail/fetch.php/Manual_Hp_Officejet_Pro_85service_Manual.pdf)

## **Table of Contents Mitsubishi Eclipse 2007 Audio Diagram**

1. Understanding the eBook Mitsubishi Eclipse 2007 Audio Diagram
  - The Rise of Digital Reading Mitsubishi Eclipse 2007 Audio Diagram
  - Advantages of eBooks Over Traditional Books
2. Identifying Mitsubishi Eclipse 2007 Audio Diagram
  - Exploring Different Genres
  - Considering Fiction vs. Non-Fiction
  - Determining Your Reading Goals
3. Choosing the Right eBook Platform
  - Popular eBook Platforms
  - Features to Look for in an Mitsubishi Eclipse 2007 Audio Diagram
  - User-Friendly Interface
4. Exploring eBook Recommendations from Mitsubishi Eclipse 2007 Audio Diagram

- Personalized Recommendations
- Mitsubishi Eclipse 2007 Audio Diagram User Reviews and Ratings
- Mitsubishi Eclipse 2007 Audio Diagram and Bestseller Lists
- 5. Accessing Mitsubishi Eclipse 2007 Audio Diagram Free and Paid eBooks
  - Mitsubishi Eclipse 2007 Audio Diagram Public Domain eBooks
  - Mitsubishi Eclipse 2007 Audio Diagram eBook Subscription Services
  - Mitsubishi Eclipse 2007 Audio Diagram Budget-Friendly Options
- 6. Navigating Mitsubishi Eclipse 2007 Audio Diagram eBook Formats
  - ePub, PDF, MOBI, and More
  - Mitsubishi Eclipse 2007 Audio Diagram Compatibility with Devices
  - Mitsubishi Eclipse 2007 Audio Diagram Enhanced eBook Features
- 7. Enhancing Your Reading Experience
  - Adjustable Fonts and Text Sizes of Mitsubishi Eclipse 2007 Audio Diagram
  - Highlighting and Note-Taking Mitsubishi Eclipse 2007 Audio Diagram
  - Interactive Elements Mitsubishi Eclipse 2007 Audio Diagram
- 8. Staying Engaged with Mitsubishi Eclipse 2007 Audio Diagram
  - Joining Online Reading Communities
  - Participating in Virtual Book Clubs
  - Following Authors and Publishers Mitsubishi Eclipse 2007 Audio Diagram
- 9. Balancing eBooks and Physical Books Mitsubishi Eclipse 2007 Audio Diagram
  - Benefits of a Digital Library
  - Creating a Diverse Reading Collection Mitsubishi Eclipse 2007 Audio Diagram
- 10. Overcoming Reading Challenges
  - Dealing with Digital Eye Strain
  - Minimizing Distractions
  - Managing Screen Time
- 11. Cultivating a Reading Routine Mitsubishi Eclipse 2007 Audio Diagram
  - Setting Reading Goals Mitsubishi Eclipse 2007 Audio Diagram
  - Carving Out Dedicated Reading Time
- 12. Sourcing Reliable Information of Mitsubishi Eclipse 2007 Audio Diagram

- Fact-Checking eBook Content of Mitsubishi Eclipse 2007 Audio Diagram
  - Distinguishing Credible Sources
13. Promoting Lifelong Learning
- Utilizing eBooks for Skill Development
  - Exploring Educational eBooks
14. Embracing eBook Trends
- Integration of Multimedia Elements
  - Interactive and Gamified eBooks

### **Mitsubishi Eclipse 2007 Audio Diagram Introduction**

Mitsubishi Eclipse 2007 Audio Diagram Offers over 60,000 free eBooks, including many classics that are in the public domain. Open Library: Provides access to over 1 million free eBooks, including classic literature and contemporary works. Mitsubishi Eclipse 2007 Audio Diagram Offers a vast collection of books, some of which are available for free as PDF downloads, particularly older books in the public domain. Mitsubishi Eclipse 2007 Audio Diagram : This website hosts a vast collection of scientific articles, books, and textbooks. While it operates in a legal gray area due to copyright issues, its a popular resource for finding various publications. Internet Archive for Mitsubishi Eclipse 2007 Audio Diagram : Has an extensive collection of digital content, including books, articles, videos, and more. It has a massive library of free downloadable books. Free-eBooks Mitsubishi Eclipse 2007 Audio Diagram Offers a diverse range of free eBooks across various genres. Mitsubishi Eclipse 2007 Audio Diagram Focuses mainly on educational books, textbooks, and business books. It offers free PDF downloads for educational purposes. Mitsubishi Eclipse 2007 Audio Diagram Provides a large selection of free eBooks in different genres, which are available for download in various formats, including PDF. Finding specific Mitsubishi Eclipse 2007 Audio Diagram, especially related to Mitsubishi Eclipse 2007 Audio Diagram, might be challenging as theyre often artistic creations rather than practical blueprints. However, you can explore the following steps to search for or create your own Online Searches: Look for websites, forums, or blogs dedicated to Mitsubishi Eclipse 2007 Audio Diagram, Sometimes enthusiasts share their designs or concepts in PDF format. Books and Magazines Some Mitsubishi Eclipse 2007 Audio Diagram books or magazines might include. Look for these in online stores or libraries. Remember that while Mitsubishi Eclipse 2007 Audio Diagram, sharing copyrighted material without permission is not legal. Always ensure youre either creating your own or obtaining them from legitimate sources that allow sharing and downloading. Library Check if your local library offers eBook lending services. Many libraries have digital catalogs where you can borrow Mitsubishi Eclipse 2007 Audio Diagram eBooks for free, including popular titles. Online Retailers: Websites like Amazon, Google Books,

or Apple Books often sell eBooks. Sometimes, authors or publishers offer promotions or free periods for certain books. Authors Website Occasionally, authors provide excerpts or short stories for free on their websites. While this might not be the Mitsubishi Eclipse 2007 Audio Diagram full book, it can give you a taste of the authors writing style. Subscription Services Platforms like Kindle Unlimited or Scribd offer subscription-based access to a wide range of Mitsubishi Eclipse 2007 Audio Diagram eBooks, including some popular titles.

## **FAQs About Mitsubishi Eclipse 2007 Audio Diagram Books**

**What is a Mitsubishi Eclipse 2007 Audio Diagram PDF?** A PDF (Portable Document Format) is a file format developed by Adobe that preserves the layout and formatting of a document, regardless of the software, hardware, or operating system used to view or print it. **How do I create a Mitsubishi Eclipse 2007 Audio Diagram PDF?** There are several ways to create a PDF: Use software like Adobe Acrobat, Microsoft Word, or Google Docs, which often have built-in PDF creation tools. Print to PDF: Many applications and operating systems have a "Print to PDF" option that allows you to save a document as a PDF file instead of printing it on paper. Online converters: There are various online tools that can convert different file types to PDF. **How do I edit a Mitsubishi Eclipse 2007 Audio Diagram PDF?** Editing a PDF can be done with software like Adobe Acrobat, which allows direct editing of text, images, and other elements within the PDF. Some free tools, like PDFescape or Smallpdf, also offer basic editing capabilities. **How do I convert a Mitsubishi Eclipse 2007 Audio Diagram PDF to another file format?** There are multiple ways to convert a PDF to another format: Use online converters like Smallpdf, Zamzar, or Adobe Acrobats export feature to convert PDFs to formats like Word, Excel, JPEG, etc. Software like Adobe Acrobat, Microsoft Word, or other PDF editors may have options to export or save PDFs in different formats. **How do I password-protect a Mitsubishi Eclipse 2007 Audio Diagram PDF?** Most PDF editing software allows you to add password protection. In Adobe Acrobat, for instance, you can go to "File" -> "Properties" -> "Security" to set a password to restrict access or editing capabilities. Are there any free alternatives to Adobe Acrobat for working with PDFs? Yes, there are many free alternatives for working with PDFs, such as: LibreOffice: Offers PDF editing features. PDFsam: Allows splitting, merging, and editing PDFs. Foxit Reader: Provides basic PDF viewing and editing capabilities. How do I compress a PDF file? You can use online tools like Smallpdf, I LovePDF, or desktop software like Adobe Acrobat to compress PDF files without significant quality loss. Compression reduces the file size, making it easier to share and download. Can I fill out forms in a PDF file? Yes, most PDF viewers/editors like Adobe Acrobat, Preview (on Mac), or various online tools allow you to fill out forms in PDF files by selecting text fields and entering information. Are there any restrictions when working with PDFs? Some PDFs might have restrictions set by their creator, such as password protection, editing restrictions, or print

restrictions. Breaking these restrictions might require specific software or tools, which may or may not be legal depending on the circumstances and local laws.

### **Find Mitsubishi Eclipse 2007 Audio Diagram :**

[manual hp officejet pro 85service manual](#)

**manual installations the agua torrent**

[manual htc touch pro 2 espanol](#)

*manual gilera ga 125*

[manual guide semi trailer wiring diagram](#)

[manual ford ka 2009](#)

*manual for z340 polaroid camera*

[manual gps garmin nuvi 205w espanol](#)

[manual gps r3 trimble](#)

[manual hyundai accent crdi](#)

[manual install windows update](#)

**manual hill start assist**

[manual ford wiring diagram](#)

**manual gmc jimmy 95**

**manual handling queensland**

### **Mitsubishi Eclipse 2007 Audio Diagram :**

Exam P (Probability) Study Guide - ACTEX Learning Wondering how to study for Exam P? Practice efficiently with our robust database of questions and solutions and be prepared for the actuarial probability exam. Study Manuals ACTEX Interactive Study Manual for Exam P with Instructional Videos | 1st Edition ... Broverman Study Guide for SOA Exam FM/CAS Exam 2 | 2024. Broverman ... SOA Exam P Study Manual This study guide is designed to help in the preparation for the Society of Actuaries Exam P. The study manual is divided into two main parts. The first part ... ACTEX Interactive Study Manual for Exam P with ... The Exam P study guide will allow you to: Review 660 pages of comprehensive, exam-focused information with full syllabus coverage; Refine your understanding ... Browse Products ACTEX DVDs · ASM Study Manuals · Ostaszewski Study Manuals · SOA Textbooks · Live Chat · Actex Website Feedback. Actuarial Exams with ACTEX Study Materials ... Exam



P study materials : r/actuary Exam P study materials. Exams. Hey everyone,. I'm in college and poor ... study manuals (Actex and ASM) through them. Passed both P and FM ... Study Manuals ACTEX Study Manual for SOA Exam PA | 10th Edition. Lo | ACTEX Availability: In-Stock | Printed ETA 12/18/23. ISBNs: See Below Samples: View Sample. Best Study Manual for Exam P (2023) The most popular study guides for Exam P are the Actuary Accelerator Community, ASM, ACTEX, TIA, and Coaching Actuaries. Any of these resources will teach ... Untitled Actuarial Exams with ACTEX Study Materials since 1972. Search Terms: 1P-ASM-SMP. Study Manuals. ASM Study Manual Program for Exam P | 5th Edition. Weishaus ... Ceramics: Mastering the Craft: Zakin, Richard This wonderful book is a valuable resource whether you are starting out and want to experiment with different clay projects or want to refresh your memory. Ceramics: Mastering the Craft: Zakin, Richard A fascinating blend of the technical and aesthetic aspects of ceramics, this second edition features historical background information, analysis of image ... Mastering the Craft; CERAMICS: Ceramic Materials; Clay & Clay Bodies, Making & Buying; Surface Finishes; Glazes; Low/Mid & High-Fire Glazes; Color; Recipes. ; 20 color, profuse b&w; ... Ceramics: Mastering the Craft In Mastering the Craft, Richard Zakin provides information on ceramic materials, color development, clay bodies, vessel forms, creativity, imagery, surfaces, ... Ceramics: Mastering the Craft - Zakin, Richard A fascinating blend of the technical and aesthetic aspects of ceramics, this second edition features historical background information, analysis of image ... Ceramics: Mastering the Craft - Richard Zakin In Ceramics: Mastering the Craft, Richard Zakin has written a comprehensive handbook for everyone interested in working in ceramics. Ceramics Mastering The Craft Book A fascinating blend of the technical and aesthetic aspects of ceramics, this second edition features historical background information, analysis of image ... Ceramics: Mastering the Craft - Richard Zakin Title, Ceramics: Mastering the Craft Ceramics Series. Author, Richard Zakin. Edition, illustrated. Publisher, A & C Black, 1990. Ceramics: Mastering the Craft by Richard Zakin - Paperback UNKNO. Used - Good. Good condition. A copy that has been read but remains intact. May contain markings such as bookplates, stamps, limited notes and ... Ceramics Mastering the Craft 9780801979910 Ceramics Mastering the Craft ; by sanithuc ; Wonderful teacher and craftsman. Richard Zakin was my professor for two classes. He was wonderful. He was very ... Walmart Employee Handbook 2014 The SAGE Handbook of Neoliberalism. America at the Mall. Human Resource Management. Small and Medium-sized Enterprises in International Economic Law. Walmart Policies and Guidelines Find a list of Walmart's most frequently requested public policies and guidelines, including our store return policy, coupon policy and more. Where can I find the Walmart employee handbook? Jul 23, 2015 — You can typically find the Walmart employee handbook on the company's official website or through their employee portal. Associate Handbook The self-nomination will be reviewed by your manager, then the pillar lead and country head. Communication. -Associates with approved nominations will receive ... Employee Handbook For Walmart WALMART POLICY HANDBOOK PDF WALMART POLICY Are you searching for Walmart Policy Handbook Policy Handbook Coaching Walmart Employee Policy Handbook 2014. OneWalmart Terms of

Use OneWalmart Terms of Use · 1. Website Use in General · 2. Rules Governing Public Communications, Forums, and Interactive Features · 3. Grant of License to Walmart. Walmart Employee Policy Handbook 2023 ... guide walmart employee policy handbook 2014 as you such as. Employee ... Policy Handbook Walmart Employee Policy Handbook instructions guide service manual guide ... Walmart Employee Handbook 2021 Pdf Employee Handbook 2014 Free Download Pdf employee handbooks shrm sample employee handbook walmart employee handbook 2014 blogs post ... Fired today due to Facebook post : r/walmart Walmart pays their employees to scan social to track people to report them and fire them. Upvote 8 Walmart Employee Handbook Example Jun 27, 2023 — Accessing the Walmart Employee Handbook 2022 is essential for understanding company policies and procedures. When filling out and signing ...