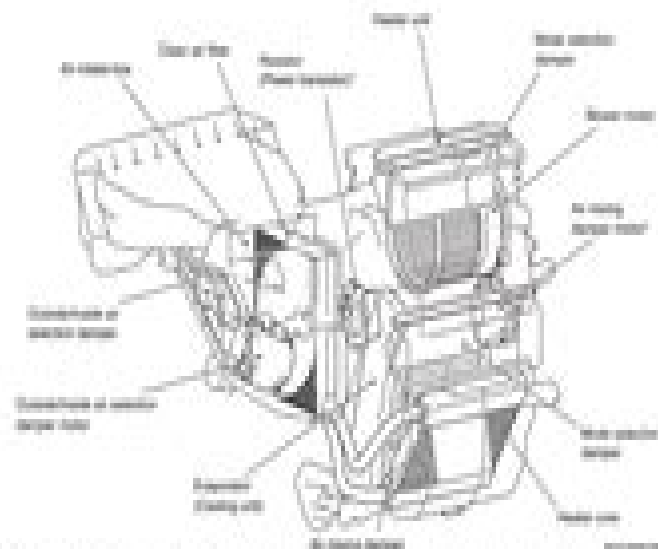


HEATER UNIT

COOLING UNIT AND HEATER UNIT



NOTE 1 Vehicles with automatic A/C.
The following cooling unit and heater unit have been created for greater fan power, reduced noise, and improved A/C performance:

- The heater unit integrates the heater, blower, and cooling unit for reduced weight and size.
- Smaller air intake box has been adopted for larger passenger leg space.
- The case has a crushable structure so as to be crushed when a collision occurs, thereby protecting passengers from impact and improving the safety.
- Retreating of heater is minimized to reduce A/C load, thereby improving fuel consumption.
- Clean air filter with deodorant function is installed for higher comfort. (Vehicles with automatic A/C)

Mitsubishi Colt Diesel Maintenance Manual

S Baum



Mitsubishi Colt Diesel Maintenance Manual:

Embark on a transformative journey with Written by is captivating work, Discover the Magic in **Mitsubishi Colt Diesel Maintenance Manual** . This enlightening ebook, available for download in a convenient PDF format , invites you to explore a world of boundless knowledge. Unleash your intellectual curiosity and discover the power of words as you dive into this riveting creation. Download now and elevate your reading experience to new heights .

<https://www.splashdogs.com/data/browse/Documents/journal%20of%20time%20series%20econometrics.pdf>

Table of Contents Mitsubishi Colt Diesel Maintenance Manual

1. Understanding the eBook Mitsubishi Colt Diesel Maintenance Manual
 - The Rise of Digital Reading Mitsubishi Colt Diesel Maintenance Manual
 - Advantages of eBooks Over Traditional Books
2. Identifying Mitsubishi Colt Diesel Maintenance Manual
 - Exploring Different Genres
 - Considering Fiction vs. Non-Fiction
 - Determining Your Reading Goals
3. Choosing the Right eBook Platform
 - Popular eBook Platforms
 - Features to Look for in an Mitsubishi Colt Diesel Maintenance Manual
 - User-Friendly Interface
4. Exploring eBook Recommendations from Mitsubishi Colt Diesel Maintenance Manual
 - Personalized Recommendations
 - Mitsubishi Colt Diesel Maintenance Manual User Reviews and Ratings
 - Mitsubishi Colt Diesel Maintenance Manual and Bestseller Lists
5. Accessing Mitsubishi Colt Diesel Maintenance Manual Free and Paid eBooks
 - Mitsubishi Colt Diesel Maintenance Manual Public Domain eBooks
 - Mitsubishi Colt Diesel Maintenance Manual eBook Subscription Services
 - Mitsubishi Colt Diesel Maintenance Manual Budget-Friendly Options

6. Navigating Mitsubishi Colt Diesel Maintenance Manual eBook Formats
 - ePub, PDF, MOBI, and More
 - Mitsubishi Colt Diesel Maintenance Manual Compatibility with Devices
 - Mitsubishi Colt Diesel Maintenance Manual Enhanced eBook Features
7. Enhancing Your Reading Experience
 - Adjustable Fonts and Text Sizes of Mitsubishi Colt Diesel Maintenance Manual
 - Highlighting and Note-Taking Mitsubishi Colt Diesel Maintenance Manual
 - Interactive Elements Mitsubishi Colt Diesel Maintenance Manual
8. Staying Engaged with Mitsubishi Colt Diesel Maintenance Manual
 - Joining Online Reading Communities
 - Participating in Virtual Book Clubs
 - Following Authors and Publishers Mitsubishi Colt Diesel Maintenance Manual
9. Balancing eBooks and Physical Books Mitsubishi Colt Diesel Maintenance Manual
 - Benefits of a Digital Library
 - Creating a Diverse Reading Collection Mitsubishi Colt Diesel Maintenance Manual
10. Overcoming Reading Challenges
 - Dealing with Digital Eye Strain
 - Minimizing Distractions
 - Managing Screen Time
11. Cultivating a Reading Routine Mitsubishi Colt Diesel Maintenance Manual
 - Setting Reading Goals Mitsubishi Colt Diesel Maintenance Manual
 - Carving Out Dedicated Reading Time
12. Sourcing Reliable Information of Mitsubishi Colt Diesel Maintenance Manual
 - Fact-Checking eBook Content of Mitsubishi Colt Diesel Maintenance Manual
 - Distinguishing Credible Sources
13. Promoting Lifelong Learning
 - Utilizing eBooks for Skill Development
 - Exploring Educational eBooks
14. Embracing eBook Trends
 - Integration of Multimedia Elements

- Interactive and Gamified eBooks

Mitsubishi Colt Diesel Maintenance Manual Introduction

In this digital age, the convenience of accessing information at our fingertips has become a necessity. Whether its research papers, eBooks, or user manuals, PDF files have become the preferred format for sharing and reading documents. However, the cost associated with purchasing PDF files can sometimes be a barrier for many individuals and organizations. Thankfully, there are numerous websites and platforms that allow users to download free PDF files legally. In this article, we will explore some of the best platforms to download free PDFs. One of the most popular platforms to download free PDF files is Project Gutenberg. This online library offers over 60,000 free eBooks that are in the public domain. From classic literature to historical documents, Project Gutenberg provides a wide range of PDF files that can be downloaded and enjoyed on various devices. The website is user-friendly and allows users to search for specific titles or browse through different categories. Another reliable platform for downloading Mitsubishi Colt Diesel Maintenance Manual free PDF files is Open Library. With its vast collection of over 1 million eBooks, Open Library has something for every reader. The website offers a seamless experience by providing options to borrow or download PDF files. Users simply need to create a free account to access this treasure trove of knowledge. Open Library also allows users to contribute by uploading and sharing their own PDF files, making it a collaborative platform for book enthusiasts. For those interested in academic resources, there are websites dedicated to providing free PDFs of research papers and scientific articles. One such website is Academia.edu, which allows researchers and scholars to share their work with a global audience. Users can download PDF files of research papers, theses, and dissertations covering a wide range of subjects. Academia.edu also provides a platform for discussions and networking within the academic community. When it comes to downloading Mitsubishi Colt Diesel Maintenance Manual free PDF files of magazines, brochures, and catalogs, Issuu is a popular choice. This digital publishing platform hosts a vast collection of publications from around the world. Users can search for specific titles or explore various categories and genres. Issuu offers a seamless reading experience with its user-friendly interface and allows users to download PDF files for offline reading. Apart from dedicated platforms, search engines also play a crucial role in finding free PDF files. Google, for instance, has an advanced search feature that allows users to filter results by file type. By specifying the file type as "PDF," users can find websites that offer free PDF downloads on a specific topic. While downloading Mitsubishi Colt Diesel Maintenance Manual free PDF files is convenient, its important to note that copyright laws must be respected. Always ensure that the PDF files you download are legally available for free. Many authors and publishers voluntarily provide free PDF versions of their work, but its essential to be cautious and verify the authenticity of the source before downloading Mitsubishi Colt Diesel Maintenance Manual. In conclusion, the internet offers numerous platforms and websites that allow users to

download free PDF files legally. Whether its classic literature, research papers, or magazines, there is something for everyone. The platforms mentioned in this article, such as Project Gutenberg, Open Library, Academia.edu, and Issuu, provide access to a vast collection of PDF files. However, users should always be cautious and verify the legality of the source before downloading Mitsubishi Colt Diesel Maintenance Manual any PDF files. With these platforms, the world of PDF downloads is just a click away.

FAQs About Mitsubishi Colt Diesel Maintenance Manual Books

What is a Mitsubishi Colt Diesel Maintenance Manual PDF? A PDF (Portable Document Format) is a file format developed by Adobe that preserves the layout and formatting of a document, regardless of the software, hardware, or operating system used to view or print it. **How do I create a Mitsubishi Colt Diesel Maintenance Manual PDF?** There are several ways to create a PDF: Use software like Adobe Acrobat, Microsoft Word, or Google Docs, which often have built-in PDF creation tools. Print to PDF: Many applications and operating systems have a "Print to PDF" option that allows you to save a document as a PDF file instead of printing it on paper. Online converters: There are various online tools that can convert different file types to PDF. **How do I edit a Mitsubishi Colt Diesel Maintenance Manual PDF?** Editing a PDF can be done with software like Adobe Acrobat, which allows direct editing of text, images, and other elements within the PDF. Some free tools, like PDFescape or Smallpdf, also offer basic editing capabilities. **How do I convert a Mitsubishi Colt Diesel Maintenance Manual PDF to another file format?** There are multiple ways to convert a PDF to another format: Use online converters like Smallpdf, Zamzar, or Adobe Acrobats export feature to convert PDFs to formats like Word, Excel, JPEG, etc. Software like Adobe Acrobat, Microsoft Word, or other PDF editors may have options to export or save PDFs in different formats. **How do I password-protect a Mitsubishi Colt Diesel Maintenance Manual PDF?** Most PDF editing software allows you to add password protection. In Adobe Acrobat, for instance, you can go to "File" -> "Properties" -> "Security" to set a password to restrict access or editing capabilities. Are there any free alternatives to Adobe Acrobat for working with PDFs? Yes, there are many free alternatives for working with PDFs, such as: LibreOffice: Offers PDF editing features. PDFsam: Allows splitting, merging, and editing PDFs. Foxit Reader: Provides basic PDF viewing and editing capabilities. How do I compress a PDF file? You can use online tools like Smallpdf, ILovePDF, or desktop software like Adobe Acrobat to compress PDF files without significant quality loss. Compression reduces the file size, making it easier to share and download. Can I fill out forms in a PDF file? Yes, most PDF viewers/editors like Adobe Acrobat, Preview (on Mac), or various online tools allow you to fill out forms in PDF files by selecting text fields and entering information. Are there any restrictions when working with PDFs? Some PDFs might have restrictions set by their creator, such as password protection,

editing restrictions, or print restrictions. Breaking these restrictions might require specific software or tools, which may or may not be legal depending on the circumstances and local laws.

Find Mitsubishi Colt Diesel Maintenance Manual :

[journal of time series econometrics](#)

[journal prompts fahrenheit 451](#)

[johnson evinrude 1 5 35 hp 1965 1978 factory service repair manual](#)

johnson 2hp manual

[johnson 1985 150 hp outboard manual](#)

[johnson 140 vro manual](#)

[johnson 5 hp outboard manual 1998](#)

joint examination for ss2 2015 time table

[johnson outboard 90 hp v4 service manual](#)

[journal malaria in pregnancy](#)

journal of history s

johnson fx07 manual

johnson 5hp outboard manual

johnson manual repair

[johnson trim assist manual](#)

Mitsubishi Colt Diesel Maintenance Manual :

third grade grade 3 ecology questions helpteaching - Mar 27 2023

web 10000 results for ecosystem grade 3 ecosystem quiz quiz by fernicolara g8 science ecosystem match up by aphilips1

ecosystem maze chase by ll970649 g5 science

results for ecosystem test third grade tpt - Sep 20 2022

web 12 terms images 5 1 mmunroe19 teacher preview 3rd grade ecosystems 16 terms images 5 1 effmidi99 teacher preview

ecosystems 3rd grade 11 terms

[chapter 3 ecosystems for fourth graders proprofs](#) - Feb 23 2023

web k5 provides free worksheets for students to practice ecosystems at the grade 3 level including living things classifying

animals food chains and food webs and animal groups
3rd 5th grade upper elementary lesson 3 exploring - Dec 12 2021

3rd grade ecosystems test flashcards quizlet - Jan 25 2023

web mar 21 2023 test your understanding on ecology in the 3rd grade by taking the quiz below all the best questions and answers 1 what is ecology a the relationship

grade 3 ecosystem unit test flashcards quizlet - Mar 15 2022

web ccss ela literacy sl 3 1 third 4 1 fourth and 5 1 fifth engage effectively in a range of collaborative discussions one on one in groups and teacher led with diverse partners

ecosystem quiz questions and answers proprofs quiz - Jul 31 2023

web 77 plays 6 questions copy edit live session assign show answers see preview multiple choice 2 minutes 1 pt what is an ecosystem an area in nature that includes only living

3rd grade ecosystems flashcards quizlet - May 17 2022

web ecosystems games worksheets quizzes for kids ecosystems games worksheets quizzes for kids learn about consumer producers decomposer feeding relationships

ecosystems and biodiversity third grade science stations - Aug 20 2022

web a group of organisms that are the same kind and live in the same place organism a living thing aquatic ecosystems wet land environments examples ponds marshes swamps

3rd grade science ecosystems flashcards and study sets quizlet - Jun 17 2022

web green plants producers can make their own food through photosynthesis consumers can not make their own food but they eat other plants and animals to get energy

grade 3 ecosystems 442 plays quizizz - Sep 01 2023

web ecosystems come alive with our free printable science worksheets tailored for grade 3 students dive into the world of ecosystems and help your students discover the

grade 3 ecosystems 78 plays quizizz - May 29 2023

web ecosystem environment grade 3 communities populations and ecosystems an organism is any nonliving thing individual living thing animal that eats fruit and meat

3rd grade science games for kids mcq quizzes ecosystem for - Jul 19 2022

web terms in this set 18 name three populations which live in the prairie prairie dogs hawks badgers snakes owls ferrets name two different habitats which exist in a prairie

ecology terms 3rd grade science proprofs quiz - Oct 22 2022

web they are interactive online and free play and practice the following skills ecosystems man environment plants animals adaptations weather laboratory work data

3rd grade ecosystems unit flashcards quizlet - Apr 15 2022

web 10 3k plays 2nd 21 qs food web 1 9k plays kg 2nd 3rd grade science checkpoint review quiz for 3rd grade students find other quizzes for science and more on

free printable ecosystems worksheets for 3rd grade quizizz - Jun 29 2023

web 1 minute 1 pt it is all the living things of the same kind that live in the same place at the same time explore all questions with a free account continue with google continue with email

3rd grade science checkpoint review quizizz - Jan 13 2022

grade 3 ecosystems worksheets k5 learning - Nov 22 2022

web ecosystems and biodiversity science stations for third grade help students understand how animals and plants relate to each other and to their environment they include

results for ecosystem test third grade tpt - Nov 10 2021

ecosystem 3rd grade quizizz - Apr 27 2023

web a baymouth bar b sea arch c sea stack d tombolo which of the following is not an organic molecule found in living organisms describe how alcohol impacts the central

ecosystem quiz questions 3rd grade science trivia - Oct 02 2023

web what is an ecosystem an area in nature that includes only living organisms an area in nature that includes both living and non living organisms groups of species an

ecosystems games worksheets quizzes for kids - Feb 11 2022

web 3rd grade science standardized test prep practice this is a jeopardy style science review game with 25 questions and answers the game is in powerpoint format but it

ecosystem grade 3 teaching resources wordwall - Dec 24 2022

web results for ecosystem test third grade 240 results sort by relevance view list science environment ecosystem test for 2nd or 3rd grade bonus review game created by

engineering economics notes syllabus reference - Oct 02 2023

expertly designed notes are available for topic wise descriptions of several topics for the students learning engineering

economics the experts precisely design the notes understanding the needs of all type of students in mind the descriptions are available in an easier language for helping the see more

pdf mg6863 engineering economics ee books lecture - Jul 19 2022

web engineering economics involves formulating estimating and evaluating economics outcomes when choices and alternatives are available this involves using specific

compiled lecture in engineering economy - Oct 22 2022

web introduction to engineering economics 1 a j clark school of engineering department of civil and env ironmental engineering introduction to

pdf mg6863 engineering economics lecture notes books - Aug 20 2022

web as defined by sullivan et al engineering economy is the systematic evaluation of the economic merits of proposed solutions to engineering problems important uses

mg6863 engineering economics handwritten lecture notes all - Jun 17 2022

web anna university mg6863 engineering economics lecture notes mg6863 engineering economics syllabus mg6863 engineering economics part a 2 marks with answers

engr eco lecture notes 1 engineering economy - Jan 13 2022

web eem preview text unit i micro and macro economics and its applications nature and scope of economics science microeconomics macro economics concept of

lecture notes engineering economy module engineering - Feb 23 2023

web engineering economics ie 342 engineering economic analysis 2017 2018 fall semester ie 342 engineering economic analysis instructors dr emre uzun sec

engineering economics lecture notes fundamentals of - Sep 20 2022

web this section provides a detailed list of lecture topics for each session of the course along with lecture notes for selected sessions lecture notes engineering economics

unit1 engineering economics and management lecture notes - Mar 15 2022

web engineering economics notes free download as pdf file pdf text file txt or read online for free scribd is the world s largest social reading and publishing site open

engineering economics courses ie bilkent edu tr - Jun 29 2023

apart from all the notes reference books textbooks and the curriculum it is also important to refer a list of some highly important questions of the different topics see more

engineering economics notes pdf depreciation cost of - May 17 2022

web introduction to economics flow in an economy law of supply and demand concept of engineering economics engineering efficiency economic efficiency scope of

lecture notes handwritten notes study materials online - Dec 12 2021

web engineering economy lecture notes 1 pdf economics engineering 0 ratings 830 views 4 pages engineering economy lecture notes 1 uploaded by warlocke pointers

engineering economics lecture mit opencourseware - Sep 01 2023

reference books are the other recommendable sources to grasp full knowledge about all the concepts of any subjects not just for the institution level preparations see more

economics for engineers lecture notes pdf free download - Nov 10 2021

web engineering economy is the analysis and evaluation of the factors that will affect the economic success of engineering projects to the end that a recommendation can be

pdf engineering economy lectures solved - Nov 22 2022

web lecture notes this course is built around recitation style sessions in which lecture material alternates with students trying out the spreadsheet techniques they are learning

engineering economy lecture notes 1 pdf economics scribd - Feb 11 2022

web subject engineering economics costing subject code hssm3204 branch b tech all branches semester 3rd 4thsem lecture notes prepared by i dr geetanjali

introduction to engineering economics assakkaf - Jan 25 2023

web engineering economics lecture notes free download as pdf file pdf text file txt or read online for free

engineering economics with applications cambridge university - Mar 27 2023

web lecture notes set 2 engineering economic analysis time value of money inflation opportunity cost cash flow diagram a p investment a yearly return 0 n n no of

lecture notes engineering economics and regulation of the - Dec 24 2022

web engineering economics is an essential subject for engineers a sound understanding of this subject is required for analyzing complex economic decision making problems in

engineering economics lecture note ch1 ch6 studocu - Apr 27 2023

web from paul samuelson and william nordhaus economics 12th ed mcgraw hill new york 1985 what is engineering economics the application of economic principles

ce 561 notes set 02 purdue university college of engineering - Jul 31 2023

curriculum and syllabus is the other more crucial thing that is necessary while studying any subject and learning about all its

concepts whether it is for the see more

[engineering economics lecture notes pdf interest](#) - May 29 2023

question 1 what is engineering economics answer engineering economics is a branch of economics that deals with the uses and applications of several see more

semester 3rd 4th sem biju patnaik university of technology - Apr 15 2022

web apr 19 2017 version anna university chennai department of mechanical engineering semester viii mg6863 engineering economics handwritten lecture notes all units

polaris cdi wiring diagram read and understand - May 13 2023

web sep 10 2023 learn how to read and understand polaris cdi wiring diagrams to troubleshoot electrical issues on your atv utv snowmobile or watercraft

understanding the polaris cdi wiring diagram wiregram - Jul 03 2022

web jun 17 2022 a cdi wiring diagram is a schematic diagram of the electrical wiring of a polaris atv it explains how each component is connected to each other and how they interact with the electrical system it includes diagrams

6 pin cdi wiring diagram illustrated and explained - Aug 16 2023

web feb 2 2023 this guide will provide an overview of the cdi system and illustrate how to connect it to the ignition system using a 6 pin cdi wiring diagram and detailed explanation table of contents i cdi system

[correct cdi box polaris atv forum](#) - Dec 08 2022

web may 6 2021 i am looking at the wiring diagram and the cdi box has 5 wires and is either grounded by the mounting or has a 6th brown ground wire the speed limiter has 4 wires 5x atv of the month winner of all the paths in life you take make sure a few of them are on dirt 2019 sportsman 850 sp premium

chinese 5 pin cdi wiring diagram pictured explained - Aug 04 2022

web mar 3 2023 what the cdi system does the wiring and components of the cdi box how to connect the cdi box to the ignition system it will include detailed photos and descriptions along with a full chinese 5 pin cdi wiring diagram for reference

anatomy of an atv cdi box scooter s powersports - Oct 06 2022

web total the cdi box controls the reverse limiter the timing the spark the rev limiter and all factory safety kill switches depending on the make and model of the atv the cdi box can also control a number of other things for more information on your specific model see the wiring diagram in the service manual

cdi wiring diagram atv diagram board - Sep 05 2022

web may 25 2022 paragraph 1 100 words the cdi wiring diagram atv is an essential tool to understand when working with

any new or existing atv this wiring diagram provides a detailed visual representation of the system allowing one to easily identify and troubleshoot potential issues

[wiring diagram for 150cc chinese atv](#) - Feb 27 2022

web aug 6 2022 understanding the wiring diagram for a 150cc chinese atv the wiring diagram for a 150cc chinese atv is an essential tool when troubleshooting your vehicle it provides a clear picture of the system s wiring layout allowing you to

intro to china atv cdi ignition troubleshooting youtube - Mar 11 2023

web feb 4 2017 2 4 2017 intro to china atv cdi ignition troubleshooting loss of spark this video defines wire color the various parts of the ignition and expected resistive valves found at the cdi

[ac racing cdi wiring diagram x connections](#) - Jan 29 2022

web apr 30 2022 ac racing cdi wiring diagram x connections tutorial rdworks ideas racing cdi cdi wiring diagram rdworks ideas

[cdi wiring diagram atv wiring system](#) - Apr 12 2023

web mar 20 2023 a cdi wiring diagram is a detailed schematic of the electronic components that make up the atv s ignition system the diagram will show the parts of the system such as the spark plug coil spark plug wires and the cdi box itself

5 pin cdi wiring diagram pictured and explained - Jan 09 2023

web feb 1 2023 this guide will explain what the cdi system does the components and wiring of the cdi box and show how to connect it to the ignition system by way of a 5 pin cdi box wiring diagram complete with detailed photos and descriptions

[polaris cdi wiring diagram pictured explained off road](#) - Jun 14 2023

web mar 5 2023 this guide will help distinguish between the different types of cdi boxes used by polaris and the different types of replacements available it will also show how to connect the cdi box to the ignition system by way of a polaris cdi wiring diagram

cdi wiring diagram atv schema digital - Dec 28 2021

web nov 18 2022 a cdi wiring diagram atv harness helps to ensure a safe and efficient connection between the various components of an atv s electrical system this diagram can be a valuable resource for understanding how all the parts fit together and what type of cable should be used in any given situation

how to wire a cdi youtube - Feb 10 2023

web may 9 2012 wiring a cdi and the difference between ac dc units

polaris cdi wiring diagram for sportsman 4 5 6 7 pin - Mar 31 2022

web in this article i have given several diagrams to aid you in understanding your polaris internal wiring with a detailed polaris cdi wiring diagram including a step by step on how to wire a 4 pin cdi and test the cdi box on your polaris atv

basic wiring tips for atvs and utvs atv com - May 01 2022

web aug 11 2021 if you take the time to read the installation instructions of the accessories you re wanting to wire into your atvs electrical system most will provide a recommendation for wire size and

[cdi wiring diagram atv wiring diagram](#) - Jul 15 2023

web dec 28 2022 a cdi wiring diagram is a schematic representation of the wiring and connections between all the major components of your atv as the name implies it is a diagram showing the various components that make

[atv cdi box wiring diagram four wire 125cc schematron org](#) - Jun 02 2022

web jan 27 2023 ebay 50cc 70cc cc cc full electrics wiring harness cdi atv remote start switch brand new or best offer free shipping 50 70 90 cc full electric wiring harness wire loom cdi atv quad dirt bike brand new save honda atv wiring diagram to get e mail alerts and updates on your ebay feed honda atce atc e

manuals tech info vmc chinese parts - Nov 07 2022

web basic 5 pin cdi wire color chart pdf basic drained battery info pdf basic torque table pdf basic troubleshooting chart pdf basic wiring diagram pdf battery installation pdf