

MITSUBISHI

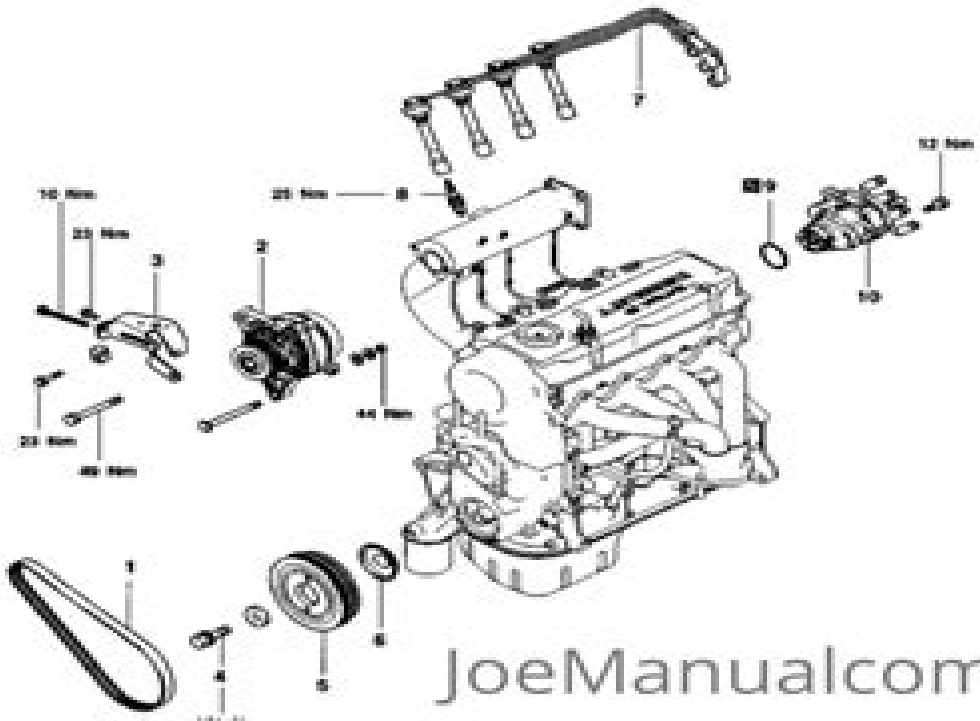
ENGINE

4G9 SERIES (E-W)

WORKSHOP MANUAL

CONTENTS

GENERAL INFORMATION	10-0-0
1 SPECIFICATIONS	10-0-1
GENERAL SPECIFICATIONS	10-0-1
DIMENSIONAL SPECIFICATIONS	10-0-2
FLUID SPECIFICATIONS	10-0-3
OIL TIGHTNESS AND LEAKAGE TEST METHOD	10-0-4
TECHNICAL POLYMER SEAL	10-0-5
TORQUE	10-0-6
FORMULATED LUBRICANT	10-0-7
2 SPECIAL TOOLS	10-0-8
3 ALTERNATOR AND IGNITION SYSTEM	10-1-1
4 THERM CLUT	10-2-1
5 FUEL AND AIRFLOW CONTROL SYSTEM	10-3-1
6 TURBOCHARGER BODY AND OIL FEED SYSTEM	10-4-1
7 INTAKE AND EXHAUST MANIFOLD	10-5-1
8 DRIVE SHAFTS/CLUTCH	10-6-1
9 DRIVE SHAFTS/CLUTCH	10-6-2
10 DRIVE SHAFTS/CLUTCH	10-6-3
11 DRIVE SHAFTS/CLUTCH	10-6-4
12 DRIVE SHAFTS/CLUTCH	10-6-5
13 DRIVE SHAFTS/CLUTCH	10-6-6
14 DRIVE SHAFTS/CLUTCH	10-6-7
15 DRIVE SHAFTS/CLUTCH	10-6-8
16 DRIVE SHAFTS/CLUTCH	10-6-9
17 DRIVE SHAFTS/CLUTCH	10-6-10
18 DRIVE SHAFTS/CLUTCH	10-6-11
19 DRIVE SHAFTS/CLUTCH	10-6-12
20 DRIVE SHAFTS/CLUTCH	10-6-13
21 DRIVE SHAFTS/CLUTCH	10-6-14
22 DRIVE SHAFTS/CLUTCH	10-6-15
23 DRIVE SHAFTS/CLUTCH	10-6-16
24 DRIVE SHAFTS/CLUTCH	10-6-17
25 DRIVE SHAFTS/CLUTCH	10-6-18
26 DRIVE SHAFTS/CLUTCH	10-6-19
27 DRIVE SHAFTS/CLUTCH	10-6-20
28 DRIVE SHAFTS/CLUTCH	10-6-21
29 DRIVE SHAFTS/CLUTCH	10-6-22
30 DRIVE SHAFTS/CLUTCH	10-6-23
31 DRIVE SHAFTS/CLUTCH	10-6-24
32 DRIVE SHAFTS/CLUTCH	10-6-25
33 DRIVE SHAFTS/CLUTCH	10-6-26
34 DRIVE SHAFTS/CLUTCH	10-6-27
35 DRIVE SHAFTS/CLUTCH	10-6-28
36 DRIVE SHAFTS/CLUTCH	10-6-29
37 DRIVE SHAFTS/CLUTCH	10-6-30
38 DRIVE SHAFTS/CLUTCH	10-6-31
39 DRIVE SHAFTS/CLUTCH	10-6-32
40 DRIVE SHAFTS/CLUTCH	10-6-33
41 DRIVE SHAFTS/CLUTCH	10-6-34
42 DRIVE SHAFTS/CLUTCH	10-6-35
43 DRIVE SHAFTS/CLUTCH	10-6-36
44 DRIVE SHAFTS/CLUTCH	10-6-37
45 DRIVE SHAFTS/CLUTCH	10-6-38
46 DRIVE SHAFTS/CLUTCH	10-6-39
47 DRIVE SHAFTS/CLUTCH	10-6-40
48 DRIVE SHAFTS/CLUTCH	10-6-41
49 DRIVE SHAFTS/CLUTCH	10-6-42
50 DRIVE SHAFTS/CLUTCH	10-6-43
51 DRIVE SHAFTS/CLUTCH	10-6-44
52 DRIVE SHAFTS/CLUTCH	10-6-45
53 DRIVE SHAFTS/CLUTCH	10-6-46
54 DRIVE SHAFTS/CLUTCH	10-6-47
55 DRIVE SHAFTS/CLUTCH	10-6-48
56 DRIVE SHAFTS/CLUTCH	10-6-49
57 DRIVE SHAFTS/CLUTCH	10-6-50
58 DRIVE SHAFTS/CLUTCH	10-6-51
59 DRIVE SHAFTS/CLUTCH	10-6-52
60 DRIVE SHAFTS/CLUTCH	10-6-53
61 DRIVE SHAFTS/CLUTCH	10-6-54
62 DRIVE SHAFTS/CLUTCH	10-6-55
63 DRIVE SHAFTS/CLUTCH	10-6-56
64 DRIVE SHAFTS/CLUTCH	10-6-57
65 DRIVE SHAFTS/CLUTCH	10-6-58
66 DRIVE SHAFTS/CLUTCH	10-6-59
67 DRIVE SHAFTS/CLUTCH	10-6-60
68 DRIVE SHAFTS/CLUTCH	10-6-61
69 DRIVE SHAFTS/CLUTCH	10-6-62
70 DRIVE SHAFTS/CLUTCH	10-6-63
71 DRIVE SHAFTS/CLUTCH	10-6-64
72 DRIVE SHAFTS/CLUTCH	10-6-65
73 DRIVE SHAFTS/CLUTCH	10-6-66
74 DRIVE SHAFTS/CLUTCH	10-6-67
75 DRIVE SHAFTS/CLUTCH	10-6-68
76 DRIVE SHAFTS/CLUTCH	10-6-69
77 DRIVE SHAFTS/CLUTCH	10-6-70
78 DRIVE SHAFTS/CLUTCH	10-6-71
79 DRIVE SHAFTS/CLUTCH	10-6-72
80 DRIVE SHAFTS/CLUTCH	10-6-73
81 DRIVE SHAFTS/CLUTCH	10-6-74
82 DRIVE SHAFTS/CLUTCH	10-6-75
83 DRIVE SHAFTS/CLUTCH	10-6-76
84 DRIVE SHAFTS/CLUTCH	10-6-77
85 DRIVE SHAFTS/CLUTCH	10-6-78
86 DRIVE SHAFTS/CLUTCH	10-6-79
87 DRIVE SHAFTS/CLUTCH	10-6-80
88 DRIVE SHAFTS/CLUTCH	10-6-81
89 DRIVE SHAFTS/CLUTCH	10-6-82
90 DRIVE SHAFTS/CLUTCH	10-6-83
91 DRIVE SHAFTS/CLUTCH	10-6-84
92 DRIVE SHAFTS/CLUTCH	10-6-85
93 DRIVE SHAFTS/CLUTCH	10-6-86
94 DRIVE SHAFTS/CLUTCH	10-6-87
95 DRIVE SHAFTS/CLUTCH	10-6-88
96 DRIVE SHAFTS/CLUTCH	10-6-89
97 DRIVE SHAFTS/CLUTCH	10-6-90
98 DRIVE SHAFTS/CLUTCH	10-6-91
99 DRIVE SHAFTS/CLUTCH	10-6-92
100 DRIVE SHAFTS/CLUTCH	10-6-93

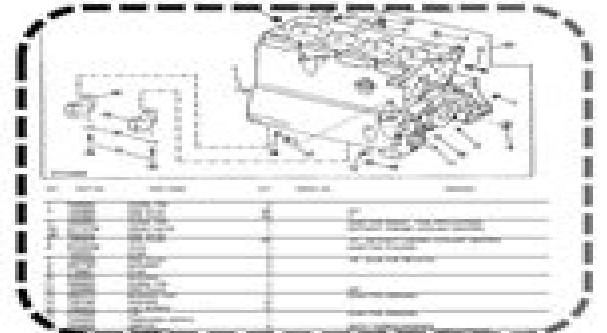
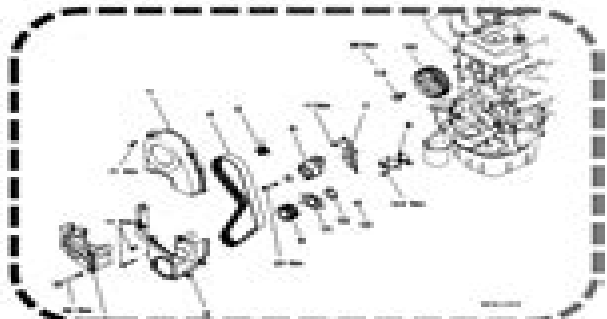
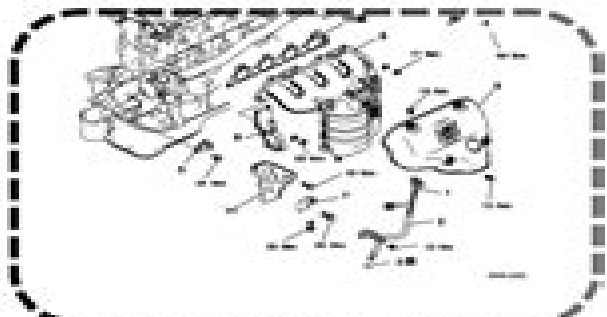


JoeManual.com

MITSUBISHI MOTORS CORPORATION

Pub. No. PWEE9502-G

© Mitsubishi Motors Corporation May 2000



Mitsubishi 4g18 Engine Workshop Manual

Katrin Zwirglmaier



Mitsubishi 4g18 Engine Workshop Manual:

This is likewise one of the factors by obtaining the soft documents of this **Mitsubishi 4g18 Engine Workshop Manual** by online. You might not require more get older to spend to go to the books commencement as with ease as search for them. In some cases, you likewise reach not discover the publication Mitsubishi 4g18 Engine Workshop Manual that you are looking for. It will categorically squander the time.

However below, taking into consideration you visit this web page, it will be so totally easy to acquire as well as download guide Mitsubishi 4g18 Engine Workshop Manual

It will not assume many times as we accustom before. You can complete it though enactment something else at home and even in your workplace. therefore easy! So, are you question? Just exercise just what we manage to pay for under as skillfully as evaluation **Mitsubishi 4g18 Engine Workshop Manual** what you afterward to read!

<https://www.splashdogs.com/data/book-search/default.aspx/La%20Refondation%20Des%20Pouvoirs%20Les%20Forces%20Imaginantes%20Du%20Droit.pdf>

Table of Contents Mitsubishi 4g18 Engine Workshop Manual

1. Understanding the eBook Mitsubishi 4g18 Engine Workshop Manual
 - The Rise of Digital Reading Mitsubishi 4g18 Engine Workshop Manual
 - Advantages of eBooks Over Traditional Books
2. Identifying Mitsubishi 4g18 Engine Workshop Manual
 - Exploring Different Genres
 - Considering Fiction vs. Non-Fiction
 - Determining Your Reading Goals
3. Choosing the Right eBook Platform
 - Popular eBook Platforms
 - Features to Look for in an Mitsubishi 4g18 Engine Workshop Manual
 - User-Friendly Interface

4. Exploring eBook Recommendations from Mitsubishi 4g18 Engine Workshop Manual
 - Personalized Recommendations
 - Mitsubishi 4g18 Engine Workshop Manual User Reviews and Ratings
 - Mitsubishi 4g18 Engine Workshop Manual and Bestseller Lists
5. Accessing Mitsubishi 4g18 Engine Workshop Manual Free and Paid eBooks
 - Mitsubishi 4g18 Engine Workshop Manual Public Domain eBooks
 - Mitsubishi 4g18 Engine Workshop Manual eBook Subscription Services
 - Mitsubishi 4g18 Engine Workshop Manual Budget-Friendly Options
6. Navigating Mitsubishi 4g18 Engine Workshop Manual eBook Formats
 - ePub, PDF, MOBI, and More
 - Mitsubishi 4g18 Engine Workshop Manual Compatibility with Devices
 - Mitsubishi 4g18 Engine Workshop Manual Enhanced eBook Features
7. Enhancing Your Reading Experience
 - Adjustable Fonts and Text Sizes of Mitsubishi 4g18 Engine Workshop Manual
 - Highlighting and Note-Taking Mitsubishi 4g18 Engine Workshop Manual
 - Interactive Elements Mitsubishi 4g18 Engine Workshop Manual
8. Staying Engaged with Mitsubishi 4g18 Engine Workshop Manual
 - Joining Online Reading Communities
 - Participating in Virtual Book Clubs
 - Following Authors and Publishers Mitsubishi 4g18 Engine Workshop Manual
9. Balancing eBooks and Physical Books Mitsubishi 4g18 Engine Workshop Manual
 - Benefits of a Digital Library
 - Creating a Diverse Reading Collection Mitsubishi 4g18 Engine Workshop Manual
10. Overcoming Reading Challenges
 - Dealing with Digital Eye Strain
 - Minimizing Distractions
 - Managing Screen Time
11. Cultivating a Reading Routine Mitsubishi 4g18 Engine Workshop Manual
 - Setting Reading Goals Mitsubishi 4g18 Engine Workshop Manual
 - Carving Out Dedicated Reading Time

12. Sourcing Reliable Information of Mitsubishi 4g18 Engine Workshop Manual
 - Fact-Checking eBook Content of Mitsubishi 4g18 Engine Workshop Manual
 - Distinguishing Credible Sources
13. Promoting Lifelong Learning
 - Utilizing eBooks for Skill Development
 - Exploring Educational eBooks
14. Embracing eBook Trends
 - Integration of Multimedia Elements
 - Interactive and Gamified eBooks

Mitsubishi 4g18 Engine Workshop Manual Introduction

In today's digital age, the availability of Mitsubishi 4g18 Engine Workshop Manual books and manuals for download has revolutionized the way we access information. Gone are the days of physically flipping through pages and carrying heavy textbooks or manuals. With just a few clicks, we can now access a wealth of knowledge from the comfort of our own homes or on the go. This article will explore the advantages of Mitsubishi 4g18 Engine Workshop Manual books and manuals for download, along with some popular platforms that offer these resources. One of the significant advantages of Mitsubishi 4g18 Engine Workshop Manual books and manuals for download is the cost-saving aspect. Traditional books and manuals can be costly, especially if you need to purchase several of them for educational or professional purposes. By accessing Mitsubishi 4g18 Engine Workshop Manual versions, you eliminate the need to spend money on physical copies. This not only saves you money but also reduces the environmental impact associated with book production and transportation. Furthermore, Mitsubishi 4g18 Engine Workshop Manual books and manuals for download are incredibly convenient. With just a computer or smartphone and an internet connection, you can access a vast library of resources on any subject imaginable. Whether you're a student looking for textbooks, a professional seeking industry-specific manuals, or someone interested in self-improvement, these digital resources provide an efficient and accessible means of acquiring knowledge. Moreover, PDF books and manuals offer a range of benefits compared to other digital formats. PDF files are designed to retain their formatting regardless of the device used to open them. This ensures that the content appears exactly as intended by the author, with no loss of formatting or missing graphics. Additionally, PDF files can be easily annotated, bookmarked, and searched for specific terms, making them highly practical for studying or referencing. When it comes to accessing Mitsubishi 4g18 Engine Workshop Manual books and manuals, several platforms offer an extensive collection of resources. One such platform is Project Gutenberg, a nonprofit organization that provides over 60,000 free eBooks. These books are

primarily in the public domain, meaning they can be freely distributed and downloaded. Project Gutenberg offers a wide range of classic literature, making it an excellent resource for literature enthusiasts. Another popular platform for Mitsubishi 4g18 Engine Workshop Manual books and manuals is Open Library. Open Library is an initiative of the Internet Archive, a non-profit organization dedicated to digitizing cultural artifacts and making them accessible to the public. Open Library hosts millions of books, including both public domain works and contemporary titles. It also allows users to borrow digital copies of certain books for a limited period, similar to a library lending system. Additionally, many universities and educational institutions have their own digital libraries that provide free access to PDF books and manuals. These libraries often offer academic texts, research papers, and technical manuals, making them invaluable resources for students and researchers. Some notable examples include MIT OpenCourseWare, which offers free access to course materials from the Massachusetts Institute of Technology, and the Digital Public Library of America, which provides a vast collection of digitized books and historical documents. In conclusion, Mitsubishi 4g18 Engine Workshop Manual books and manuals for download have transformed the way we access information. They provide a cost-effective and convenient means of acquiring knowledge, offering the ability to access a vast library of resources at our fingertips. With platforms like Project Gutenberg, Open Library, and various digital libraries offered by educational institutions, we have access to an ever-expanding collection of books and manuals. Whether for educational, professional, or personal purposes, these digital resources serve as valuable tools for continuous learning and self-improvement. So why not take advantage of the vast world of Mitsubishi 4g18 Engine Workshop Manual books and manuals for download and embark on your journey of knowledge?

FAQs About Mitsubishi 4g18 Engine Workshop Manual Books

1. Where can I buy Mitsubishi 4g18 Engine Workshop Manual books? Bookstores: Physical bookstores like Barnes & Noble, Waterstones, and independent local stores. Online Retailers: Amazon, Book Depository, and various online bookstores offer a wide range of books in physical and digital formats.
2. What are the different book formats available? Hardcover: Sturdy and durable, usually more expensive. Paperback: Cheaper, lighter, and more portable than hardcovers. E-books: Digital books available for e-readers like Kindle or software like Apple Books, Kindle, and Google Play Books.
3. How do I choose a Mitsubishi 4g18 Engine Workshop Manual book to read? Genres: Consider the genre you enjoy (fiction, non-fiction, mystery, sci-fi, etc.). Recommendations: Ask friends, join book clubs, or explore online reviews and recommendations. Author: If you like a particular author, you might enjoy more of their work.

4. How do I take care of Mitsubishi 4g18 Engine Workshop Manual books? Storage: Keep them away from direct sunlight and in a dry environment. Handling: Avoid folding pages, use bookmarks, and handle them with clean hands. Cleaning: Gently dust the covers and pages occasionally.
5. Can I borrow books without buying them? Public Libraries: Local libraries offer a wide range of books for borrowing. Book Swaps: Community book exchanges or online platforms where people exchange books.
6. How can I track my reading progress or manage my book collection? Book Tracking Apps: Goodreads, LibraryThing, and Book Catalogue are popular apps for tracking your reading progress and managing book collections. Spreadsheets: You can create your own spreadsheet to track books read, ratings, and other details.
7. What are Mitsubishi 4g18 Engine Workshop Manual audiobooks, and where can I find them? Audiobooks: Audio recordings of books, perfect for listening while commuting or multitasking. Platforms: Audible, LibriVox, and Google Play Books offer a wide selection of audiobooks.
8. How do I support authors or the book industry? Buy Books: Purchase books from authors or independent bookstores. Reviews: Leave reviews on platforms like Goodreads or Amazon. Promotion: Share your favorite books on social media or recommend them to friends.
9. Are there book clubs or reading communities I can join? Local Clubs: Check for local book clubs in libraries or community centers. Online Communities: Platforms like Goodreads have virtual book clubs and discussion groups.
10. Can I read Mitsubishi 4g18 Engine Workshop Manual books for free? Public Domain Books: Many classic books are available for free as they're in the public domain. Free E-books: Some websites offer free e-books legally, like Project Gutenberg or Open Library.

Find Mitsubishi 4g18 Engine Workshop Manual :

~~la refondation des pouvoirs les forces imaginantes du droit~~

la pauvreté durable au bangladesh et en particulier agrave dacca

la rose bleue

~~la vie pour vrai~~

la saga mcjames tome dans le lit dun guerrier

~~la mensajera de los suentildeos imposibles spanish edition~~

la sanction en eacuteducation laquo que saisje raquo ndeg

la maison de la mer

la seconde guerre mondiale expliquee grave ma fille
la ragazza che tirava i bidoni italian edition

la vie cachee de fidel castro

lab 111 laboratory manual answers

la maicirctrise de soimecirctme par lautosuggestion consciente

la mort et laudelagave noeumll eacuteternel

la morale grave leacutecole selon ferdinand buisson

Mitsubishi 4g18 Engine Workshop Manual :

centomila gavette di ghiaccio ediz integrale libracci it - Feb 01 2023

web consultare utili recensioni cliente e valutazioni per centomila gavette di ghiaccio ediz integrale su amazon it consultare recensioni obiettive e imparziali sui prodotti fornite

centomila gavette di ghiaccio ediz integrale pdf - Mar 22 2022

web getting this info get the centomila gavette di ghiaccio ediz integrale partner that we allow here and check out the link you could purchase lead centomila gavette di

biko google groups - Feb 18 2022

web consultare utili recensioni cliente e valutazioni per centomila gavette di ghiaccio ediz integrale su amazon it consultare recensioni obiettive e imparziali sui prodotti fornite

centomila gavette di ghiaccio ediz integrale formato kindle - Nov 17 2021

centomila gavette di ghiaccio ediz integrale formato kindle - Sep 08 2023

web fotografia nitida della ritirata in russia del 1943 recensito in italia il 8 novembre 2022 acquisto verificato centomila gavette di ghiaccio è un romanzo autobiografico di

centomila gavette di ghiaccio ediz integrale acquisti online su - Aug 27 2022

web find many great new used options and get the best deals for centomila gavette di ghiaccio ediz integrale at the best online prices at ebay free shipping for many

centomila gavette di ghiaccio ediz integrale paperback - May 24 2022

web 2 centomila gavette di ghiaccio ediz integrale 2023 09 05 baltic states defending germany s eastern frontiers from communist subversion while ignoring the calls to

amazon it recensioni clienti centomila gavette di ghiaccio ediz - Nov 29 2022

web mar 28 2021 amazon com centomila gavette di ghiaccio ediz integrale italian edition ebook bedeschi giulio kindle store
centomila gavette di ghiaccio ediz integrale libreria ibs - Aug 07 2023

web centomila gavette di ghiaccio ediz integrale è un libro di giulio bedeschi pubblicato da ugo mursia editore nella collana testimonianze fra cronaca e storia acquista su

centomila gavette di ghiaccio ediz integrale italian edition - Sep 27 2022

web centomila gavette di ghiaccio tratta dell'esperienza bellica del sottotenente medico italo serri pseudonimo dietro il quale si cela bedeschi stesso durante la seconda guerra

centomila gavette di ghiaccio ediz integrale giulio - May 04 2023

web centomila gavette di ghiaccio ediz integrale è un libro di giulio bedeschi pubblicato da ugo mursia editore leggi le recensioni degli utenti e acquistalo online su ibs

amazon it recensioni clienti centomila gavette di ghiaccio ediz - Dec 19 2021

centomila gavette di ghiaccio ediz integrale bedeschi giulio - Jun 05 2023

web centomila gavette di ghiaccio ediz integrale ebook bedeschi giulio amazon it libri

centomila gavette di ghiaccio ediz integrale - Apr 22 2022

web you don't have permission to access this content for access try logging in if you are subscribed to this group and have noticed abuse report abusive group

centomila gavette di ghiaccio ediz integrale formato kindle - Apr 03 2023

web pubblicato nel 1963 centomila gavette di ghiaccio ebbe subito uno straordinario successo ottenendo l'anno successivo il prestigioso premio bancarella centomila

centomila gavette di ghiaccio ediz integrale for sale online ebay - Jun 24 2022

web centomila gavette di ghiaccio ediz integrale is available in our book collection an online access to it is set as public so you can get it instantly our book servers spans in multiple

centomila gavette di ghiaccio ediz integrale giulio bedeschi - Oct 29 2022

web le migliori offerte per centomila gavette di ghiaccio ediz integrale sono su ebay confronta prezzi e caratteristiche di prodotti nuovi e usati molti articoli con consegna gratis

centomila gavette di ghiaccio ediz integrale libreria universitaria - Dec 31 2022

web centomila gavette di ghiaccio ediz integrale è un libro di bedeschi giulio pubblicato da ugo mursia editore nella collana testimonianze fra cronaca e storia sconto 5 isbn

centomila gavette di ghiaccio ediz integrale amazon it - Oct 09 2023

web centomila gavette di ghiaccio è un romanzo autobiografico di giulio bedeschi composto tra il 1945 ed il 1946 e pubblicato originalmente nel febbraio 1963 per l editore mursia

centomila gavette di ghiaccio ediz integrale lafeltrinelli - Jul 06 2023

web centomila gavette di ghiaccio ediz integrale bedeschi giulio amazon it libri passa al contenuto principale it ciao scegli il tuo indirizzo libri seleziona la categoria in cui

centomila gavette di ghiaccio ediz integrale giorgio faletti - Jan 20 2022

web centomila gavette di ghiaccio ediz integrale ebook bedeschi giulio amazon it libri

recensioni centomila gavette di ghiaccio ediz integrale - Mar 02 2023

web centomila gavette di ghiaccio ediz integrale di giulio bedeschi scrivi una recensione editore ugo mursia editore collana testimonianze fra cronaca e storia data di

centomila gavette di ghiaccio wikipedia - Jul 26 2022

web centomila gavette di ghiaccio ediz integrale bedeschi giulio amazon com au books

pdf ww 100 top rezepte lieblingsrezepte der ww - Mar 03 2022

herunterladen ww 100 top rezepte lieblingsrezepte der ww community suppen salate snacks vegetarisch flei 1 bitte klicken sie auf

schnelle gesunde rezepte 42 ideen für jeden tag ww weightwatchers - Aug 08 2022

im stress des alltags ist es gar nicht so einfach gesund zu essen doch wir haben die lösung für dich und zwar 42schnelle und gesunde rezepte die in maximal 20 30 minuten fertig und zum abnehmen geeignet sind

ww 100 top rezepte lieblingsrezepte der ww community - Jun 18 2023

dec 6 2019 ww fans empfehlen das kochbuch voller lieblingsrezepteeine rezeptsammlung so vielfältig wie die ww community ob mit fisch fleisch oder vegetarisch

ww 100 top rezepte lieblingsrezepte der ww commun pdf - Feb 02 2022

zoomfunktion gelesen werden alle bände der meine top 50 rezepte serie von crispyrob crispyrobs meine top 50 rezepte schnelle und einfache gerichte für sandwichmaker mikrowelle waffleisen herd und backofen band 1 crispyrobs meine top 50 feel good rezepte band 2 ww fertig in 30 minuten 2021 01 29

ww 100 top rezepte ww lesestoff - Sep 09 2022

lieblingsrezepte der ww community suppen salate snacks vegetarisch fleisc buch gebunden ww 224 seiten

9783982064758 ww 100 top rezepte lieblingsrezepte der ww - Jun 06 2022

ww 100 top rezepte lieblingsrezepte der ww community suppen salate snacks vegetarisch fleisch die beliebtesten und erfolgreichsten rezepte finden sie alle bücher von ww deutschland bei der büchersuchmaschine eurobuch com können sie

antiquarische und neubücher vergleichen und sofort zum bestpreis bestellen 9783982064758

weight watchers 100 Lieblingsrezepte die beliebtesten rezepte der - Jul 19 2023

die 100 besten rezepte für sie die ww community hat gewählt die 100 Lieblingsrezepte mit diesem rezeptbuch können sie es sich so richtig schmecken lassen denn genuss ist in allen rezepten vorprogrammiert von frühstücksideen über to go gerichte zu pasta klassikern veggie und salate

ww 100 top rezepte buchkomplizen de - Jul 07 2022

ww ww 100 top rezepte Lieblingsrezepte der ww community suppen salate snacks vegetarisch fleisch die beliebtesten und erfolgreichsten rezepte

weight watchers kochbuch die 100 beliebtesten rezepte - May 17 2023

ww 100 top rezepte Lieblingsrezepte der ww community suppen salate snacks vegetarisch fleisch die beliebtesten und erfolgreichsten rezepte

ww 100 top rezepte Lieblingsrezepte der ww community - Aug 20 2023

ww 100 top rezepte Lieblingsrezepte der ww community suppen salate snacks vegetarisch fleisch die beliebtesten und erfolgreichsten rezepte ww deutschland isbn 9783982064758 kostenloser versand für alle bücher mit versand und verkauf duch amazon

top 30 ww rezepte der community weightwatchers - Mar 15 2023

hier findest du die 30 beliebtesten rezepte der ww community teile mit der community unter dem hashtag Lieblingsrezepte was dir am besten schmeckt pizza margherita 13 buntes müesli 2 10 lasagne bolognese 11 saftige apfeltarte 4 6 linsen tomaten suppe 2 4 curry reis pfanne mit pouletbrust curry reis pfanne mit hähnchenbrust 6 8

ww 100 top rezepte Lieblingsrezepte der ww community medimops - Oct 10 2022

ww 100 top rezepte Lieblingsrezepte der ww community suppen salate snacks vegetarisch fleisch die beliebtesten und erfolgreichsten rezepte von ww deutschland gebundene ausgabe bei medimops de bestellen

ww 100 top rezepte was liest du - Feb 14 2023

entdecken sie die 100 Lieblingsrezepte der ww workshop und digital teilnehmer der ww coaches und magazin leser sowie die favoriten aus den social media kanälen leckere vielfalt auf dem teller suppen salate und pasta vegetarische rezepte und fleischgerichte für den kleinen hunger zwischendurch snacks fingerfood sandwiches mein ww

ww 100 top rezepte Lieblingsrezepte der ww community - Apr 16 2023

ww 100 top rezepte Lieblingsrezepte der ww community suppen salate snacks vegetarisch fleisch die beliebtesten und erfolgreichsten rezepte ww deutschland amazon de books

die 60 beliebtesten weightwatchers rezepte zum ausprobieren - Sep 21 2023

heute haben wir mehr als 14 000 ww rezepte in unserer datenbank und es werden täglich mehr wir stellen die 60 beliebtesten ww rezepte der letzten jahre vor starte direkt durch mit ww und entdecke noch mehr Lieblingsrezepte *gesunde rezepte zum abnehmen einfach und lecker weightwatchers* - Dec 12 2022

als mitglied hast du in der ww app zugriff auf alle rezepte kannst sie nach deinen vorlieben anpassen speichern und nach neuen ideen suchen egal ob vegetarisch vegan glutenfrei frühstück mittag oder abendessen bei weightwatchers findest du rezepte für jeden geschmack und jeden anlass

ww 100 top rezepte ernster - Nov 11 2022

ww 100 top rezepte Lieblingsrezepte der ww community suppen salate snacks vegetarisch fleisch die beliebtesten und erfolgreichsten rezepte isbn 9783982064758

weight watchers 100 Lieblingsrezepte die beliebtesten rezepte der - Jan 13 2023

weight watchers 100 Lieblingsrezepte die beliebtesten rezepte der weight watchers community ww deutschland amazon de books

suchergebnis auf amazon de für ww Lieblingsrezepte - Apr 04 2022

suchergebnis auf amazon de für ww Lieblingsrezepte zum hauptinhalt wechseln de hallo lieferadresse wählen alle wähle die kategorie aus in der du suchen möchtest suche amazon de de hallo anmelden konto und listen warenrücksendungen und bestellungen einkaufs wagen einkaufswagen

ww 50 Lieblingsrezepte einfach lecker amazon de - May 05 2022

ww 50 Lieblingsrezepte einfach lecker einfach nachkochen einfach abnehmen 50 jahre weight watchers jubiläum ww deutschland isbn 9783982064796 kostenloser versand für alle bücher mit versand und verkauf duch amazon

holt mcdougal middle and high school literature textbooks - Jul 15 2023

web request more info holt mcdougal literature a research based and digitally interactive english language arts program for grades 6 12 provides an engaging learning environment designed to help students achieve success with rigorous standards and next generation assessments

holt mcdougal literature ell adapted interactive reader n11 - Sep 05 2022

web holt mcdougal literature ell adapted interactive reader en iyi özellikleri ve gerçek kullanıcı yorumları en ucuz fiyatlarla n11 com da kampanyalı ve indirimli fiyatlarla satın al

holt mcdougal teacher tutorial youtube - Feb 10 2023

web activate the resources and then assign interactive activities with built in resources

holt mcdougal literature grade 9 common core 1st edition quizlet - Aug 04 2022

web find step by step solutions and answers to holt mcdougal literature grade 9 common core 9780547618395 as well as

thousands of textbooks so you can move forward with confidence

books by holt mcdougal author of study guide concept review goodreads - Nov 07 2022

web holt mcdougal has 3541 books on goodreads with 3208 ratings holt mcdougal s most popular book is world history

patterns of interaction atlas by rand m

find answer key pdf and resources for math ela text books - Oct 06 2022

web find math english language arts ela resources to practice prepare lesson plans online with pdf answer key videos apps and worksheets for grades 3 8 on lumos learning login here 888 309 8227

pdf holt mcdougal literature student edition grade 10 2012 - Jun 02 2022

web jul 23 2020 series holt mcdougal literature hardcover 1616 pages publisher holt mcdougal 1 edition november 28 2018

language english isbn 10 0547618409 isbn 13 978 0547618401 product

search results houghton mifflin harcourt - Apr 12 2023

web english 3d 4 12 read 180 3 12 system 44 3 12 see all reading intervention readers hero academy leveled libraries prek 4 hmh reads digital library k 5

holt mcdougal mathematics course 3 lumos learning - Dec 28 2021

web use the table below to find videos mobile apps worksheets and lessons that supplement holt mcdougal mathematics course 3 chapter 1 principles of algebra apps videos practice now lesson 1 evaluating algebraic expressions apps videocam create

holt mcdougal literature gr 6 12 archive org - Mar 11 2023

web holt mcdougal literature gr 6 12 publication date 2012 topics literature textbooks american literature textbooks english literature textbooks literature study and teaching middle school literature study and teaching secondary american literature english literature literature publisher

3 sinif mufredat meb gov tr - Jan 09 2023

web ders İngilizce sınıf 3 3 x 40 dk Ünite theme 6 my house theme 7 in my city konu my house in my city kazanımlar theme 6 my house e3 6 11 students will be able to recognize the characteristics of shapes e3 6 12 students will be able to recognize the names of the parts of a house e3 6 s1 students will be able to talk about the

holt mcdougal literature grade 9 common core edition online - Jul 03 2022

web aug 29 2023 holt mcdougal literature grade 9 common core edition online textbook help see reviews 4 6 out of 5 based on 1128 reviews via trustpilot syllabus tests course type self paced

holt mcdougal mathematics free download borrow and - Feb 27 2022

web english 3 volumes 29 cm the new holt mcdougal mathematics for middle school provides complete and comprehensive

coverage of the common core state standards with content and standards of mathematical practices documented throughout every lesson

holt mcdougal wikipedia - Dec 08 2022

web holt mcdougal is an american publishing company a division of houghton mifflin harcourt that specializes in textbooks for use in high schools the holt name is derived from that of u s publisher henry holt 1840 1926 co founder of the earliest ancestor business but holt mcdougal is distinct from contemporary henry holt and company which claims

beowulf holt mcdougal stdt text pdf google sheets - May 13 2023

web beowulf holt mcdougal stdt text pdf google sheets loading

book holt mcdougal mathematics course 3 student - May 01 2022

web jul 23 2020 holt mcdougal mathematics course 3 student edition book detail hardcover 960 pages publisher holt mcdougal 1 edition january 1 2010 language english isbn 10

holt mcdougal - Jun 14 2023

web welcome to holt mcdougal online register or log in with your user name and password to access your account

holt mcdougal online - Aug 16 2023

web welcome to holt mcdougal online i am a new user and need to register for a program

holt mcdougal mathematics free download borrow and - Mar 31 2022

web english 3 volumes 29 cm the new holt mcdougal mathematics for middle school provides complete and comprehensive coverage of the common core state standards with content and standards of mathematical practices documented throughout every lesson

english 3 holt mcdougal pdf 2023 support ortax - Jan 29 2022

web english 3 holt mcdougal pdf introduction english 3 holt mcdougal pdf 2023 how children fail john holt 1995 09 04 first published in the mid 1960s how children fail began an education reform movement that continues today in his 1982 edition john holt added new insights into how children investigate the