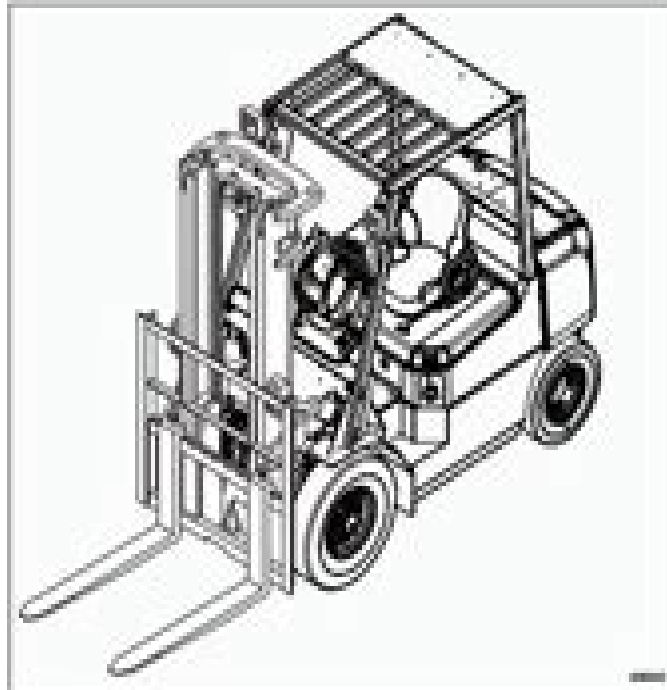


Chapter 1 GENERAL INFORMATION

1. Model View



2. Applicable Truck Model

The Service Manual provides assembly and maintenance information for the following trucks:

Engine type	Fuel type	Control lever type
Hydraulic controlled engine	Liquid Petroleum Gas	Manual Control (M)
Hydraulic controlled engine	Diesel	Manual Control (M)

Truck type	Hydraulically controlled dual fuel (LPG) engine models			Hydraulically controlled diesel engine models		
	Truck model	Serial number	Engine mounted	Truck model	Serial number	Engine mounted
Truck type	9230	210028111 up	4.0	9230	210028111 up	4.0
	9230	210028111 up	4.0	9230	210028111 up	4.0
Truck type	9230	210028111 up	4.0	9230	210028111 up	4.0

Mitsubishi Forklift Manual

Ying-Ying Zheng



Mitsubishi Forklift Manual:

Mitsubishi Forklift Manual Book Review: Unveiling the Magic of Language

In an electronic digital era where connections and knowledge reign supreme, the enchanting power of language has become more apparent than ever. Its ability to stir emotions, provoke thought, and instigate transformation is truly remarkable. This extraordinary book, aptly titled "**Mitsubishi Forklift Manual**," published by a very acclaimed author, immerses readers in a captivating exploration of the significance of language and its profound impact on our existence. Throughout this critique, we shall delve to the book is central themes, evaluate its unique writing style, and assess its overall influence on its readership.

https://www.splashdogs.com/files/Resources/Documents/ks1_fods_and_medicines_of_the_rainforest.pdf

Table of Contents Mitsubishi Forklift Manual

1. Understanding the eBook Mitsubishi Forklift Manual
 - The Rise of Digital Reading Mitsubishi Forklift Manual
 - Advantages of eBooks Over Traditional Books
2. Identifying Mitsubishi Forklift Manual
 - Exploring Different Genres
 - Considering Fiction vs. Non-Fiction
 - Determining Your Reading Goals
3. Choosing the Right eBook Platform
 - Popular eBook Platforms
 - Features to Look for in an Mitsubishi Forklift Manual
 - User-Friendly Interface
4. Exploring eBook Recommendations from Mitsubishi Forklift Manual
 - Personalized Recommendations
 - Mitsubishi Forklift Manual User Reviews and Ratings
 - Mitsubishi Forklift Manual and Bestseller Lists
5. Accessing Mitsubishi Forklift Manual Free and Paid eBooks

- Mitsubishi Forklift Manual Public Domain eBooks
- Mitsubishi Forklift Manual eBook Subscription Services
- Mitsubishi Forklift Manual Budget-Friendly Options
- 6. Navigating Mitsubishi Forklift Manual eBook Formats
 - ePub, PDF, MOBI, and More
 - Mitsubishi Forklift Manual Compatibility with Devices
 - Mitsubishi Forklift Manual Enhanced eBook Features
- 7. Enhancing Your Reading Experience
 - Adjustable Fonts and Text Sizes of Mitsubishi Forklift Manual
 - Highlighting and Note-Taking Mitsubishi Forklift Manual
 - Interactive Elements Mitsubishi Forklift Manual
- 8. Staying Engaged with Mitsubishi Forklift Manual
 - Joining Online Reading Communities
 - Participating in Virtual Book Clubs
 - Following Authors and Publishers Mitsubishi Forklift Manual
- 9. Balancing eBooks and Physical Books Mitsubishi Forklift Manual
 - Benefits of a Digital Library
 - Creating a Diverse Reading Collection Mitsubishi Forklift Manual
- 10. Overcoming Reading Challenges
 - Dealing with Digital Eye Strain
 - Minimizing Distractions
 - Managing Screen Time
- 11. Cultivating a Reading Routine Mitsubishi Forklift Manual
 - Setting Reading Goals Mitsubishi Forklift Manual
 - Carving Out Dedicated Reading Time
- 12. Sourcing Reliable Information of Mitsubishi Forklift Manual
 - Fact-Checking eBook Content of Mitsubishi Forklift Manual
 - Distinguishing Credible Sources
- 13. Promoting Lifelong Learning
 - Utilizing eBooks for Skill Development

- Exploring Educational eBooks
14. Embracing eBook Trends
- Integration of Multimedia Elements
 - Interactive and Gamified eBooks

Mitsubishi Forklift Manual Introduction

In today's digital age, the availability of Mitsubishi Forklift Manual books and manuals for download has revolutionized the way we access information. Gone are the days of physically flipping through pages and carrying heavy textbooks or manuals. With just a few clicks, we can now access a wealth of knowledge from the comfort of our own homes or on the go. This article will explore the advantages of Mitsubishi Forklift Manual books and manuals for download, along with some popular platforms that offer these resources. One of the significant advantages of Mitsubishi Forklift Manual books and manuals for download is the cost-saving aspect. Traditional books and manuals can be costly, especially if you need to purchase several of them for educational or professional purposes. By accessing Mitsubishi Forklift Manual versions, you eliminate the need to spend money on physical copies. This not only saves you money but also reduces the environmental impact associated with book production and transportation. Furthermore, Mitsubishi Forklift Manual books and manuals for download are incredibly convenient. With just a computer or smartphone and an internet connection, you can access a vast library of resources on any subject imaginable. Whether you're a student looking for textbooks, a professional seeking industry-specific manuals, or someone interested in self-improvement, these digital resources provide an efficient and accessible means of acquiring knowledge. Moreover, PDF books and manuals offer a range of benefits compared to other digital formats. PDF files are designed to retain their formatting regardless of the device used to open them. This ensures that the content appears exactly as intended by the author, with no loss of formatting or missing graphics. Additionally, PDF files can be easily annotated, bookmarked, and searched for specific terms, making them highly practical for studying or referencing. When it comes to accessing Mitsubishi Forklift Manual books and manuals, several platforms offer an extensive collection of resources. One such platform is Project Gutenberg, a nonprofit organization that provides over 60,000 free eBooks. These books are primarily in the public domain, meaning they can be freely distributed and downloaded. Project Gutenberg offers a wide range of classic literature, making it an excellent resource for literature enthusiasts. Another popular platform for Mitsubishi Forklift Manual books and manuals is Open Library. Open Library is an initiative of the Internet Archive, a non-profit organization dedicated to digitizing cultural artifacts and making them accessible to the public. Open Library hosts millions of books, including both public domain works and contemporary titles. It also allows users to borrow digital copies of certain books for a limited period, similar to a library lending system. Additionally, many universities and educational institutions

have their own digital libraries that provide free access to PDF books and manuals. These libraries often offer academic texts, research papers, and technical manuals, making them invaluable resources for students and researchers. Some notable examples include MIT OpenCourseWare, which offers free access to course materials from the Massachusetts Institute of Technology, and the Digital Public Library of America, which provides a vast collection of digitized books and historical documents. In conclusion, Mitsubishi Forklift Manual books and manuals for download have transformed the way we access information. They provide a cost-effective and convenient means of acquiring knowledge, offering the ability to access a vast library of resources at our fingertips. With platforms like Project Gutenberg, Open Library, and various digital libraries offered by educational institutions, we have access to an ever-expanding collection of books and manuals. Whether for educational, professional, or personal purposes, these digital resources serve as valuable tools for continuous learning and self-improvement. So why not take advantage of the vast world of Mitsubishi Forklift Manual books and manuals for download and embark on your journey of knowledge?

FAQs About Mitsubishi Forklift Manual Books

What is a Mitsubishi Forklift Manual PDF? A PDF (Portable Document Format) is a file format developed by Adobe that preserves the layout and formatting of a document, regardless of the software, hardware, or operating system used to view or print it. **How do I create a Mitsubishi Forklift Manual PDF?** There are several ways to create a PDF: Use software like Adobe Acrobat, Microsoft Word, or Google Docs, which often have built-in PDF creation tools. Print to PDF: Many applications and operating systems have a "Print to PDF" option that allows you to save a document as a PDF file instead of printing it on paper. Online converters: There are various online tools that can convert different file types to PDF. **How do I edit a Mitsubishi Forklift Manual PDF?** Editing a PDF can be done with software like Adobe Acrobat, which allows direct editing of text, images, and other elements within the PDF. Some free tools, like PDFescape or Smallpdf, also offer basic editing capabilities. **How do I convert a Mitsubishi Forklift Manual PDF to another file format?** There are multiple ways to convert a PDF to another format: Use online converters like Smallpdf, Zamzar, or Adobe Acrobat's export feature to convert PDFs to formats like Word, Excel, JPEG, etc. Software like Adobe Acrobat, Microsoft Word, or other PDF editors may have options to export or save PDFs in different formats. **How do I password-protect a Mitsubishi Forklift Manual PDF?** Most PDF editing software allows you to add password protection. In Adobe Acrobat, for instance, you can go to "File" -> "Properties" -> "Security" to set a password to restrict access or editing capabilities. Are there any free alternatives to Adobe Acrobat for working with PDFs? Yes, there are many free alternatives for working with PDFs, such as: LibreOffice: Offers PDF editing features. PDFsam: Allows splitting, merging, and editing PDFs. Foxit Reader: Provides basic PDF viewing and

editing capabilities. How do I compress a PDF file? You can use online tools like Smallpdf, ILovePDF, or desktop software like Adobe Acrobat to compress PDF files without significant quality loss. Compression reduces the file size, making it easier to share and download. Can I fill out forms in a PDF file? Yes, most PDF viewers/editors like Adobe Acrobat, Preview (on Mac), or various online tools allow you to fill out forms in PDF files by selecting text fields and entering information. Are there any restrictions when working with PDFs? Some PDFs might have restrictions set by their creator, such as password protection, editing restrictions, or print restrictions. Breaking these restrictions might require specific software or tools, which may or may not be legal depending on the circumstances and local laws.

Find Mitsubishi Forklift Manual :

[ks1 fods and medicines of the rainforest](#)

[ktm 350 sx f 2011 factory service repair manual](#)

ktm 2012 250 sxf repair manual

[korg ax1500g manual](#)

konica minolta qms pagepro 9100 series service repair manual

[kpis for service provider company](#)

krugman 2e solutions 11 chapter

[ktm 450 sx service manual 2012](#)

ktm 625 sxc 660 smc 1998 2003 workshop repair service manual

ktm 99lcrepair manual

[ks1 sat thresholds for smile please](#)

konica srx 201 service manual

korg x5user guide

[ktm 85sx 105sx engine service manual 2004 2005](#)

[ktm 950 990 adventure 2006 repair service manual](#)

Mitsubishi Forklift Manual :

[ne le dis à personne harlan coben babelio](#) - Apr 15 2023

web apr 8 2004 critiques 411 citations 156 extraits de ne le dis à personne de harlan coben un thriller haletant avec des changements de rythme assez spectaculair

critique du film ne le dis à personne allociné - Aug 07 2022

web retrouvez les 1971 critiques et avis pour le film ne le dis à personne réalisé par guillaume canet avec françois cluzet marie josée croze andré dussollier

ne le dis à personne film wikipedia - Sep 20 2023

web ne le dis à personne est un film à suspense français écrit et réalisé par guillaume canet sorti en 2006 il s agit d une adaptation du roman éponyme écrit par harlan coben en 2001 synopsis alexandre beck pédiatre file le parfait amour avec margot qui s occupe de jeunes en difficulté

ne le dis a personne youtube - Jul 06 2022

web apr 17 2007 ne le dis a personne europacorp 73 5k subscribers 345k views 16 years ago film écrit par guillaume canet et philippe lefevre d après le roman tell no one de harlan coben sa

ne le dis à personne guillaume canet remplit son contrat - Dec 11 2022

web sep 9 2020 ne le dis à personne guillaume canet remplit son contrat guillaume canet réussit à transposer dans paris le best seller de harlan coben qui raconte l enquête d un pédiatre

ne le dis à personne youtube - Feb 01 2022

web bande annonce du film ne le dis à personne résumé sa femme margot a été sauvagement assassinée par un serial killer totalement détruit alex ressasse jou

ne le dis à personne bande annonce vf allociné - Mar 14 2023

web sep 28 2006 regardez la bande annonce du film ne le dis à personne ne le dis à personne bande annonce vf ne le dis à personne un film de guillaume canet

ne le dis à personne premiere fr - Jan 12 2023

web ne le dis à personne première 1 critique presse 1 critique film séances news bandes annonces photos casting critiques dvd vod voir ce film sur synopsis sa femme

ne le dis à personne streaming casting avis bande annonce - Feb 13 2023

web jan 31 2023 synopsis alex françois cluzet et margot marie josée croze forment un couple heureux et épanoui ils se connaissent depuis l enfance tous les ans ils gravent d un trait l arbre sous lequel ils se sont embrassés pour la première fois leur vie bascule cependant le jour où margot est enlevée et sauvagement assassinée par un serial killer

kimseye söyleme ne le dis à personne 2006 turkcealtyazi org - Dec 31 2021

web apr 6 2007 fransa tür suç dram gizem rating 7 5 94 82 vizyon tarihi 06 nisan 2007 türkiye dil fransızca müzik mathieu chedid web sitesi europa corp fr Çekim yeri adainville yvelines fransa kelimeler e posta cinayet polis devamı nam ı diğer tell no one 628 kişi izledi 321 kişi izleyecek 44 kişinin favorisi 45 takip

ne le dis À personne explication de film - Oct 09 2022

web may 31 2017 le résumÉ comme chaque année margot marie josée croze et alexandre françois cluzet se retrouvent à l'étang où ils ont échangé leur premier baiser après un bain de minuit margot appelle au secours alex tente de venir à

ne le dis à personne film 2006 allociné - Jun 17 2023

web ne le dis à personne est un film réalisé par guillaume canet avec françois cluzet marie josée croze synopsis sa femme margot a été sauvagement assassinée par un serial killer

ne le dis à personne roman wikipédia - Nov 10 2022

web ne le dis à personne tell no one est un roman policier à suspense de l'écrivain américain harlan coben publié en 2001 et adapté au cinéma en 2006 résumÉ david beck est un pédiatre qui adore son métier il l'exerce avec passion dans une clinique qui prend en charge les enfants défavorisés

kimseye söyleme film 2006 beyazperde com - May 16 2023

web apr 6 2007 kimseye söyleme ne le dis a personne onun aktörlükten yönetmenliğe başarılı geçişini tescillemiş oldu bir polisiye olarak tanımlanabilecek kimseye söyleme karısının öldürülüşünün 8 yıldönümünde ortaya çıkan yeni gelişmelerle zanlı konumuna düşen ve gerçeği öğrenmeye çalışan alexandre beck adlı

ne le dis à personne leur combat contre l'inceste tf1 - Mar 02 2022

web documentaire société pendant 4 ans les caméras de tf1 ont suivi de l'intérieur l'enquête et le procès d'un père de famille accusé d'inceste une affaire qui débute en décembre 2018 avec

ne le dis a personne traduction anglaise linguee - Oct 29 2021

web veux pas a voir le coeu r br isé ne le dis à personne que tu en as un collectionscanada gc ca collectionscanada gc ca if you don t want your heart broken don t let on you have one collectionscanada gc ca collectionscanada gc ca personne ne le dit peu t être que personne n a le courage de le dire mais cela

ne le dis à personne bande annonce officielle youtube - Apr 03 2022

web 815 subscribers subscribe 1 5k views 11 years ago ne le dis à personne bande annonce officielle show more show more it s cable reimagined no dvr space limits

tell no one wikipedia - Aug 19 2023

web tell no one french ne le dis à personne is a 2006 french thriller film directed by guillaume canet and based on the 2001 novel of the same name by harlan coben written by canet and philippe lefebvre and starring françois cluzet the film won four categories at the 2007 César awards in france best director guillaume canet best

ne le dis à personne film 2006 senscritique - Jun 05 2022

web ne le dis à personne est un film de guillaume canet synopsis alexandre beck a perdu sa femme margot tuée brutalement

il y a huit ans deux corps sont retrouvés au

ne le dis à personne wikipédia - Sep 08 2022

web ne le dis à personne titre original tell no one est un roman de harlan coben publié en 2001 ne le dis à personne est un film de guillaume canet sorti en france en 2006 adaptation du roman homonyme ne le dis à personne est le titre français du roman no se lo digas a nadie de l'écrivain péruvien jaime bayly publié en 1994 et

ne le dis a personne film 1998 allociné - Nov 29 2021

web ne le dis a personne est un film réalisé par francisco j lombardi avec santiago magill lucía jiménez synopsis la descente aux enfers d un jeune bourgeois en rupture avec sa famille

tell no one 2006 imdb - Jul 18 2023

web nov 1 2006 original title ne le dis à personne 2006 not rated 2h 11m imdb rating 7 5 10 57k your rating rate play trailer 2 22 8 videos 68 photos crime drama mystery

ne le dis à personne cineuropa - May 04 2022

web synopsis sa femme margot a été sauvagement assassinée par un serial killer totalement détruit alex ressasse jour après jour le souvenir bouleversant de son amour perdu huit ans ont passé alex reçoit un e mail anonyme il clique une image le visage d une femme au milieu d une foule filmé en temps réel

mein pfeil und bogenbuch bogenbau für kinder und jugendliche - Feb 09 2023

web mit diesem buch werden die kinder hinaus in die natur geführt und zur handwerklichen beschäftigung mit naturmaterialien gebracht das erfolgserlebnis

bogenbau für kinder und jugendliche bogenschiessen de - Oct 05 2022

web mein pfeil und bogenbuch artikeldatenblatt drucken mein pfeil und bogenbuch lieferzeit 3 4 tage art nr 038 39 80 eur inkl mwst zzgl versandkosten in den warenkorb bogenbau für kinder und jugendliche das ideale anfängerbuch auch für erwachsene von wulf hein

mein pfeil und bogenbuch bogenbau fur kinder und pdf - Dec 27 2021

web jul 28 2023 mein pfeil und bogenbuch bogenbau fur kinder und 3 8 downloaded from uniport edu ng on july 28 2023 by guest die urgeschichte des menschen nach dem heutigen stande der wissenschaft moritz hoernes 1892 the power of the bow johannes haubner 2020 12 10 making bows with children wulf hein 2013 if you want to build

mein pfeil und bogenbuch bogenbau für kinder und jugendliche - Mar 10 2023

web beschreibung dieses buch beschreibt den bau eines einfachen bogens samt pfeilen geeignet für kinder von 8 bis 12 jahren und allen die ins selberrichten einsteigen wollen für ältere kinder und jugendliche bis 99 jahre ist der nachbau eines steinzeitlichen bogens gedacht

amazon de kundenrezensionen mein pfeil und bogenbuch bogenbau - Jul 02 2022

web finde hilfreiche kundenrezensionen und rezensionsbewertungen für mein pfeil und bogenbuch bogenbau für kinder und jugendliche auf amazon de lese ehrliche und unvoreingenommene rezensionen von unseren nutzern

mein pfeil und bogenbuch bogenbau für kinder und - Jun 01 2022

web zwei bogen werden detailliert beschrieben der flitzebogen aus einem haselstock mitsamt einfachen pfeilen ist ein projekt für den ersten versuch und für kinder von etwa 8 bis 12 jahren er eignet sich auch gut für ein freizeitprojekt in einer kindergruppe

mein pfeil bogenbuch bogenbau für kinder und jugendliche - May 12 2023

web geschichtlicher abriss der entwicklung von pfeil und bogen und die umwandlung von der steinzeitlichen jagdwaffe zur kriegswaffe und zum sportgerät heute ausführliche bauanleitungen für den

angelika hörnig verlag mein pfeil und bogenbuch bogenbau für kinder - Apr 11 2023

web angelika hörnig verlag mein pfeil und bogenbuch bogenbau für kinder und jugendliche dieses buch beschreibt den bau eines einfachen bogens samt pfeilen und ist geeignet für kinder von 8 bis 12 jahren sowie für

mein pfeil und bogenbuch bogenbau für kinder und - Sep 04 2022

web der originalgetreue nachbau des steinzeitlichen holmegaard bogens und ebensolcher pfeile ist für größere kinder und jugendliche gedacht die es genau wissen wollen und entsprechende geduld mitbringen

isbn 9783938921180 mein pfeil und bogenbuch bogenbau für kinder und - Dec 07 2022

web isbn 9783938921180 mein pfeil und bogenbuch bogenbau für kinder und jugendliche gebraucht antiquarisch neu kaufen preisvergleich käuferschutz wir bücher

pfeil und bogen selber bauen anleitung zum bogenbau mit kindern - Apr 30 2022

web pfeil und bogen selber bauen einfache anleitung zum bogenbau mit kindern von ralf ingo s letzte aktualisierung welches holz eignet sich wenn ich einen bogen selber bauen möchte für einfache varianten können sie zu haselnuss greifen das holz ist sehr biegsam und lässt sich leicht bearbeiten was muss ich beim bogenbau beachten

mein pfeil und bogenbuch bogenbau für kinder und - Feb 26 2022

web entdecke mein pfeil und bogenbuch bogenbau für kinder und jugendliche in großer auswahl vergleichen angebote und preise online kaufen bei ebay kostenlose lieferung für viele artikel

mein pfeil und bogenbuch bogenbau für kinder und - Jul 14 2023

web mein pfeil und bogenbuch bogenbau für kinder und jugendliche hein wulf amazon com tr

mein pfeil und bogenbuch bogenbau für kinder und jugendliche - Aug 15 2023

web mein pfeil und bogenbuch bogenbau für kinder und jugendliche hein wulf isbn 9783938921180 kostenloser versand für

alle bücher mit versand und verkauf durch amazon

wulf hein mein pfeil und bogenbuch bogenbau für kinder und - Jun 13 2023

web wulf hein mein pfeil und bogenbuch bogenbau für kinder und jugendliche besprechung das sachbücher beginnt mit dem geschichtlichen hintergrund des bogenschießens der bau von bögen pfeilen und zubehör sowie natürlich das schießen werden in übersichtlich aufgebauten kapiteln genauestens dargestellt und erläutert

mein pfeil und bogenbuch bogenbau für kinder und - Jan 28 2022

web de mein pfeil und bogenbuch bogenbau fuer kinder und mein pfeil und bogenbuch bogenbau für kinder und jugendliche die 301 besten bilder zu bogenbau in 2020 bogenbau it mein pfeil und bogenbuch bogenbau für kinder mein pfeil und bogenbuch bogenbau für kinder und verlag angelika hörnig bücher mein pfeil und

9783938921180 mein pfeil und bogenbuch bogenbau für kinder und - Jan 08 2023

web mein pfeil und bogenbuch bogenbau für kinder und jugendliche finden sie alle bücher von hein wulf bei der büchersuchmaschine eurobuch com können sie antiquarische und neubücher vergleichen und sofort zum bestpreis bestellen 9783938921180 bogenbau für kinder und jugendlichegebundenes buchdu willst

mein pfeil und bogenbuch bogenbau für kinder und - Nov 06 2022

web mein pfeil und bogenbuch bogenbau für kinder und jugendliche von hein wulf isbn 10 3938921188 isbn 13 9783938921180 hoernig angelika 2011 hardcover

hein mein pfeil und bogenbuch histofakt - Aug 03 2022

web bogenbau für kinder und jugendliche das ideale anfängerbuch auch für erwachsene du willst dir einen richtigen bogen bauen dieses buch zeigt dir wie es geht einfach und mit vielen bildern pfeile bogensehne und köcher gehören natürlich auch dazu und ein kleiner kurs wo und wie du damit sicher schießen kannst

mein pfeil und bogenbuch wulf hein jäger und sammler - Mar 30 2022

web der originalgetreue nachbau des steinzeitlichen holmegaard bogens und ebensolcher pfeile ist für größere kinder und jugendliche gedacht die es genauer wissen wollen und schon entsprechende geduld mitbringen der bau dieses bogens eignet sich gut als schulprojekt sogar für erwachsene

petites lea ons de raku animalier modelage a c ma - Nov 03 2022

web petites lea ons de raku animalier modelage a c ma omb no edited by shannon bruno cooking cockroach transcript verlag based on true people and events this epic

petites lea ons de raku animalier modelage a c ma 2022 - Jun 29 2022

web petites lea ons de raku animalier modelage a c ma 3 3 arum and josipa rokša s 2011 landmark study of undergraduates learning socialization and study habits

petites lea ons de raku animalier modelage a c ma static - Dec 04 2022

web inside their computer petites lea ons de raku animalier modelage a c ma is to hand in our digital library an online entry to it is set as public consequently you can download it

free petites lea ons de raku animalier modelage a c ma - Jan 05 2023

web petites lea ons de raku animalier modelage a c ma papers relating to the foreign relations of the united states apr 05 2021 the royal dictionary abridged dec 01 2020

petites lea ons de raku animalier modelage a c ma a - Nov 22 2021

web when this petites lea ons de raku animalier modelage a c ma but stop occurring in harmful downloads rather than enjoying a fine pdf like a mug of coffee in the

petites lea ons de raku animalier modelage a c ma 2023 - Aug 12 2023

web modelage de petites sculptures pour débutants oct 03 2020 pour réaliser à partir de mottes d argile informes de petites sculptures représentant des animaux ou des

petites lea ons de raku animalier modelage a c ma - Jul 11 2023

web favorite readings like this petites lea ons de raku animalier modelage a c ma but end up in harmful downloads rather than enjoying a good book with a cup of coffee in the

petites lea ons de raku animalier modelage a c ma pdf - Feb 06 2023

web petites lea ons de raku animalier modelage a c ma downloaded from retailer bonide com by guest moon atkinson annual bibliography of the history of the

petites lea ons de raku animalier modelage a c ma copy - Jun 10 2023

web right here we have countless ebook petites lea ons de raku animalier modelage a c ma and collections to check out we additionally have the funds for variant types and in

petites lea ons de raku animalier modelage a c ma pdf act - Feb 23 2022

web petites lea ons de raku animalier modelage a c ma pdf when people should go to the books stores search foundation by shop shelf by shelf it is in point of fact problematic

petites lea ons de raku animalier modelage a c ma download - Sep 01 2022

web 2 petites lea ons de raku animalier modelage a c ma 2021 04 29 petites lea ons de raku animalier modelage a c ma 2021 04 29 yareli washington rough living

petites lea ons de raku animalier modelage a c ma 2022 - Jul 31 2022

web likewise accomplish not discover the publication petites lea ons de raku animalier modelage a c ma that you are looking for it will categorically squander the time

petites lea ons de raku animalier modelage a c ma 2022 - Sep 13 2023

web petites lea ons de raku animalier modelage a c ma 3 3 streets falling on blades collects these dark but beautiful color portraits i was never miss bratwurst queen of

petites lea ons de raku animalier modelage a c ma download - May 09 2023

web 2 petites lea ons de raku animalier modelage a c ma 2021 10 18 discreteness of its cultures allows clearer inferences to be made than are usually possible in a continental

petites lea ons de raku animalier modelage a c ma pdf - Jan 25 2022

web recognizing the exaggeration ways to get this books petites lea ons de raku animalier modelage a c ma pdf is additionally useful you have remained in right site to begin

maine coon in singapore care tips and price vet advice - Mar 27 2022

web oct 28 2020 6 3 spinal muscular atrophy 7 price of owning a maine coon cat in singapore 7 1 one off costs 7 2 recurring costs 8 fun facts about maine coon cats

petites lea ons de raku animalier modelage a c ma pivotid uvu - Apr 08 2023

web petites lea ons de raku animalier modelage a c ma a phonetic dictionary of the english language hermann michaelis 1913 chaos and night henry de montherlant

little creatures bars and pubs in chinatown singapore time out - Dec 24 2021

web mar 6 2019 pair your beers with bar snacks and mediterranean style bites on its full menu that s available from 11 30am to 10pm if you re an early bird don t fret little creatures

25 rare animals you can find in the singapore wild - May 29 2022

web feb 23 2015 where to find them sungei buloh nature reserve pulau ubin serangoon punggol bishan ang mo kio park 3 porcupines source the hedgehog receives more

small animals pets association singapore facebook - Oct 02 2022

web small animals pets association singapore 1k likes a society guiding the standard of perfection for rabbit chinchilla guinea pig and hamster breeds i

petites lea ons de raku animalier modelage a c ma - Mar 07 2023

web petites lea ons de raku animalier modelage a c ma 3 3 a thorough survey of the personalities and positions that informed the decisions taken in this crucial phase of

animals allowed for sale national parks board - Apr 27 2022

web animals allowed for sale the following animals are allowed for sale in pet shops dogs cats rabbits guinea pigs hamsters gerbils mice chinchillas under the wildlife act

petites lea ons de raku animalier modelage a c ma pdf - Oct 14 2023

web oct 22 2023 *petites lea ons de raku animalier modelage a c ma* every time a bell rings barbara ankrum 2019 11 18 once upon a time he was everything to her except