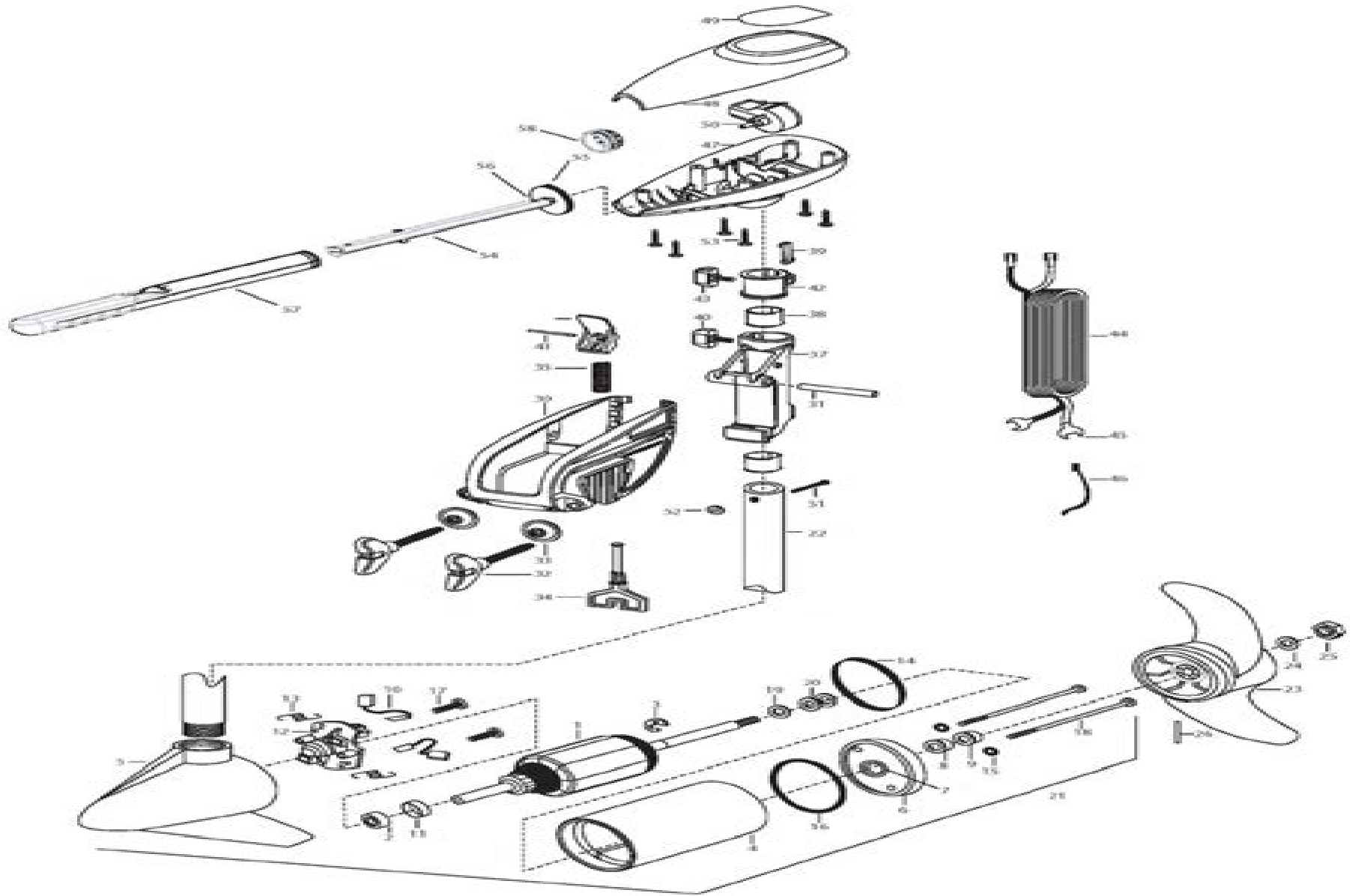


ENDURA PRO 46
46 LBS. THRUST
12 VOLT 42 AMPS
36" SHAFT

for use with "AI" serial numbers
3-year warranty from the date of purchase



Minn Kota Endura 46 Manual

**Thirumalaisamy P.
Velavancorresponding**

Minn Kota Endura 46 Manual:

The Enthralling Realm of E-book Books: A Comprehensive Guide Revealing the Pros of Kindle Books: A Realm of Ease and Flexibility Kindle books, with their inherent mobility and simplicity of availability, have liberated readers from the limitations of physical books. Gone are the days of carrying bulky novels or meticulously searching for specific titles in shops. E-book devices, sleek and lightweight, effortlessly store an wide library of books, allowing readers to indulge in their favorite reads whenever, anywhere. Whether commuting on a busy train, lounging on a sun-kissed beach, or simply cozying up in bed, Kindle books provide an unparalleled level of convenience. A Reading Universe Unfolded: Exploring the Wide Array of E-book Minn Kota Endura 46 Manual Minn Kota Endura 46 Manual The E-book Store, a digital treasure trove of literary gems, boasts an extensive collection of books spanning varied genres, catering to every readers taste and preference. From captivating fiction and thought-provoking non-fiction to classic classics and contemporary bestsellers, the E-book Shop offers an unparalleled variety of titles to discover. Whether seeking escape through engrossing tales of imagination and exploration, diving into the depths of past narratives, or broadening ones knowledge with insightful works of science and philosophical, the E-book Store provides a gateway to a literary world brimming with endless possibilities. A Revolutionary Factor in the Bookish Scene: The Lasting Impact of E-book Books Minn Kota Endura 46 Manual The advent of E-book books has undoubtedly reshaped the literary scene, introducing a model shift in the way books are released, distributed, and read. Traditional publication houses have embraced the online revolution, adapting their approaches to accommodate the growing need for e-books. This has led to a surge in the accessibility of Kindle titles, ensuring that readers have entry to a vast array of literary works at their fingertips. Moreover, E-book books have equalized access to books, breaking down geographical limits and providing readers worldwide with equal opportunities to engage with the written word. Regardless of their location or socioeconomic background, individuals can now engross themselves in the captivating world of literature, fostering a global community of readers. Conclusion: Embracing the Kindle Experience Minn Kota Endura 46 Manual Kindle books Minn Kota Endura 46 Manual, with their inherent ease, versatility, and vast array of titles, have undoubtedly transformed the way we encounter literature. They offer readers the freedom to discover the limitless realm of written expression, whenever, everywhere. As we continue to travel the ever-evolving digital scene, Kindle books stand as testament to the enduring power of storytelling, ensuring that the joy of reading remains accessible to all.

https://www.splashdogs.com/book/detail/Download_PDFS/Lt80_Service_Manual.pdf

Table of Contents Minn Kota Endura 46 Manual

1. Understanding the eBook Minn Kota Endura 46 Manual
 - The Rise of Digital Reading Minn Kota Endura 46 Manual
 - Advantages of eBooks Over Traditional Books
2. Identifying Minn Kota Endura 46 Manual
 - Exploring Different Genres
 - Considering Fiction vs. Non-Fiction
 - Determining Your Reading Goals
3. Choosing the Right eBook Platform
 - Popular eBook Platforms
 - Features to Look for in an Minn Kota Endura 46 Manual
 - User-Friendly Interface
4. Exploring eBook Recommendations from Minn Kota Endura 46 Manual
 - Personalized Recommendations
 - Minn Kota Endura 46 Manual User Reviews and Ratings
 - Minn Kota Endura 46 Manual and Bestseller Lists
5. Accessing Minn Kota Endura 46 Manual Free and Paid eBooks
 - Minn Kota Endura 46 Manual Public Domain eBooks
 - Minn Kota Endura 46 Manual eBook Subscription Services
 - Minn Kota Endura 46 Manual Budget-Friendly Options
6. Navigating Minn Kota Endura 46 Manual eBook Formats
 - ePub, PDF, MOBI, and More
 - Minn Kota Endura 46 Manual Compatibility with Devices
 - Minn Kota Endura 46 Manual Enhanced eBook Features
7. Enhancing Your Reading Experience
 - Adjustable Fonts and Text Sizes of Minn Kota Endura 46 Manual
 - Highlighting and Note-Taking Minn Kota Endura 46 Manual
 - Interactive Elements Minn Kota Endura 46 Manual
8. Staying Engaged with Minn Kota Endura 46 Manual

- Joining Online Reading Communities
 - Participating in Virtual Book Clubs
 - Following Authors and Publishers Minn Kota Endura 46 Manual
9. Balancing eBooks and Physical Books Minn Kota Endura 46 Manual
- Benefits of a Digital Library
 - Creating a Diverse Reading Collection Minn Kota Endura 46 Manual
10. Overcoming Reading Challenges
- Dealing with Digital Eye Strain
 - Minimizing Distractions
 - Managing Screen Time
11. Cultivating a Reading Routine Minn Kota Endura 46 Manual
- Setting Reading Goals Minn Kota Endura 46 Manual
 - Carving Out Dedicated Reading Time
12. Sourcing Reliable Information of Minn Kota Endura 46 Manual
- Fact-Checking eBook Content of Minn Kota Endura 46 Manual
 - Distinguishing Credible Sources
13. Promoting Lifelong Learning
- Utilizing eBooks for Skill Development
 - Exploring Educational eBooks
14. Embracing eBook Trends
- Integration of Multimedia Elements
 - Interactive and Gamified eBooks

Minn Kota Endura 46 Manual Introduction

In today's digital age, the availability of Minn Kota Endura 46 Manual books and manuals for download has revolutionized the way we access information. Gone are the days of physically flipping through pages and carrying heavy textbooks or manuals. With just a few clicks, we can now access a wealth of knowledge from the comfort of our own homes or on the go. This article will explore the advantages of Minn Kota Endura 46 Manual books and manuals for download, along with some popular platforms that offer these resources. One of the significant advantages of Minn Kota Endura 46 Manual books and manuals for download is the cost-saving aspect. Traditional books and manuals can be costly, especially if you need to purchase

several of them for educational or professional purposes. By accessing Minn Kota Endura 46 Manual versions, you eliminate the need to spend money on physical copies. This not only saves you money but also reduces the environmental impact associated with book production and transportation. Furthermore, Minn Kota Endura 46 Manual books and manuals for download are incredibly convenient. With just a computer or smartphone and an internet connection, you can access a vast library of resources on any subject imaginable. Whether you're a student looking for textbooks, a professional seeking industry-specific manuals, or someone interested in self-improvement, these digital resources provide an efficient and accessible means of acquiring knowledge. Moreover, PDF books and manuals offer a range of benefits compared to other digital formats. PDF files are designed to retain their formatting regardless of the device used to open them. This ensures that the content appears exactly as intended by the author, with no loss of formatting or missing graphics. Additionally, PDF files can be easily annotated, bookmarked, and searched for specific terms, making them highly practical for studying or referencing. When it comes to accessing Minn Kota Endura 46 Manual books and manuals, several platforms offer an extensive collection of resources. One such platform is Project Gutenberg, a nonprofit organization that provides over 60,000 free eBooks. These books are primarily in the public domain, meaning they can be freely distributed and downloaded. Project Gutenberg offers a wide range of classic literature, making it an excellent resource for literature enthusiasts. Another popular platform for Minn Kota Endura 46 Manual books and manuals is Open Library. Open Library is an initiative of the Internet Archive, a non-profit organization dedicated to digitizing cultural artifacts and making them accessible to the public. Open Library hosts millions of books, including both public domain works and contemporary titles. It also allows users to borrow digital copies of certain books for a limited period, similar to a library lending system. Additionally, many universities and educational institutions have their own digital libraries that provide free access to PDF books and manuals. These libraries often offer academic texts, research papers, and technical manuals, making them invaluable resources for students and researchers. Some notable examples include MIT OpenCourseWare, which offers free access to course materials from the Massachusetts Institute of Technology, and the Digital Public Library of America, which provides a vast collection of digitized books and historical documents. In conclusion, Minn Kota Endura 46 Manual books and manuals for download have transformed the way we access information. They provide a cost-effective and convenient means of acquiring knowledge, offering the ability to access a vast library of resources at our fingertips. With platforms like Project Gutenberg, Open Library, and various digital libraries offered by educational institutions, we have access to an ever-expanding collection of books and manuals. Whether for educational, professional, or personal purposes, these digital resources serve as valuable tools for continuous learning and self-improvement. So why not take advantage of the vast world of Minn Kota Endura 46 Manual books and manuals for download and embark on your journey of knowledge?

FAQs About Minn Kota Endura 46 Manual Books

What is a Minn Kota Endura 46 Manual PDF? A PDF (Portable Document Format) is a file format developed by Adobe that preserves the layout and formatting of a document, regardless of the software, hardware, or operating system used to view or print it. **How do I create a Minn Kota Endura 46 Manual PDF?** There are several ways to create a PDF: Use software like Adobe Acrobat, Microsoft Word, or Google Docs, which often have built-in PDF creation tools. **Print to PDF:** Many applications and operating systems have a "Print to PDF" option that allows you to save a document as a PDF file instead of printing it on paper. **Online converters:** There are various online tools that can convert different file types to PDF. **How do I edit a Minn Kota Endura 46 Manual PDF?** Editing a PDF can be done with software like Adobe Acrobat, which allows direct editing of text, images, and other elements within the PDF. Some free tools, like PDFescape or Smallpdf, also offer basic editing capabilities. **How do I convert a Minn Kota Endura 46 Manual PDF to another file format?** There are multiple ways to convert a PDF to another format: Use online converters like Smallpdf, Zamzar, or Adobe Acrobat's export feature to convert PDFs to formats like Word, Excel, JPEG, etc. Software like Adobe Acrobat, Microsoft Word, or other PDF editors may have options to export or save PDFs in different formats. **How do I password-protect a Minn Kota Endura 46 Manual PDF?** Most PDF editing software allows you to add password protection. In Adobe Acrobat, for instance, you can go to "File" -> "Properties" -> "Security" to set a password to restrict access or editing capabilities. **Are there any free alternatives to Adobe Acrobat for working with PDFs?** Yes, there are many free alternatives for working with PDFs, such as: LibreOffice: Offers PDF editing features. PDFsam: Allows splitting, merging, and editing PDFs. Foxit Reader: Provides basic PDF viewing and editing capabilities. **How do I compress a PDF file?** You can use online tools like Smallpdf, ILovePDF, or desktop software like Adobe Acrobat to compress PDF files without significant quality loss. Compression reduces the file size, making it easier to share and download. **Can I fill out forms in a PDF file?** Yes, most PDF viewers/editors like Adobe Acrobat, Preview (on Mac), or various online tools allow you to fill out forms in PDF files by selecting text fields and entering information. **Are there any restrictions when working with PDFs?** Some PDFs might have restrictions set by their creator, such as password protection, editing restrictions, or print restrictions. Breaking these restrictions might require specific software or tools, which may or may not be legal depending on the circumstances and local laws.

Find Minn Kota Endura 46 Manual :

[lt80 service manual](#)

[lust of the vikings volume 1 an erotic anthology](#)

[lubert stryer biochemistry 7th edition](#)

lsw exam study guide

~~lt230e suzuki manual~~

lucy calkins lab reports paper

lvdt laboretoey manual

~~lucent mlx 28d manual~~

m butterfly with an afterword by the playwright

luanar 2015 16 recent admission

~~lowes payroll calendar 20for employeess~~

~~lucy callaway financial times report~~

~~m audio oxygen 61 midi keyboard review~~

~~lrfd design guide si system~~

lumix ts4 user manual

Minn Kota Endura 46 Manual :

oracle tuning in der praxis rezepte und anleitung - May 09 2022

web oracle tuning in der praxis rezepte und anleitung 3 3 innovativen methoden haben anwendern bereits hohe kosten eingespart die methoden sind an oracle datenbanken beispielhaft durchgeföhrt können aber auf alle anderen datenbankprogramme übertragen werden oracle 10g springer verlag keine angaben oracle 10g für den dba springer

oracle tuning in der praxis rezepte und anleitungen für - Sep 25 2023

web oracle tuning in der praxis rezepte und anleitungen für datenbankadministratoren und entwickler haas frank isbn 9783446419070 kostenloser versand für alle bücher mit versand und verkauf duch amazon

oracle tuning in der praxis rezepte und anleitungen für - Aug 24 2023

web oracle tuning in der praxis rezepte und anleitungen für datenbankadministratoren und entwickler 3 auflage pdf 7fhkh1p254u0

oracle tuning in der praxis rezepte und anleitung download - Mar 07 2022

web 2 oracle tuning in der praxis rezepte und anleitung 2022 12 24 oracle 19c 20c john wiley sons informationstechnik praktische und technische informatik sind schlüsselbegriffe der innovation zum nachschlagen wie zur weiterbildung liefert dieses buch den Überblick und detailinformationen

oracle sql tuning sets grundlage zum sql tuning oracle - Dec 16 2022

web may 14 2020 die sql tuning set funktionalität steht übrigens in der enterprise edition der oracle datenbank on premises

oder in der cloud zur verfügung ohne zusätzliche lizenzierung eines management packs oder einer option informationen dazu finden sich im oracle licensing guide sql tuning sets gibt es schon seit langer zeit in der oracle

[oracle performance tuning schulung kurs und seminar oder](#) - Sep 13 2022

web im kurs oracle performance tuning werden die teilnehmer mit den grundlegenden aspekten von performance tuning in oracle vertraut gemacht weitere kursinformationen code kursor8 das seminar richtet sich an datenbankadministratoren datenbankdesigner netzwerk und systemadministratoren

[oracle tuning in der praxis hanser fachbuch](#) - Jul 23 2023

web oracle tuning in der praxis von frank haas rezepte und anleitungen für datenbankadministratoren und entwickler jetzt online bestellen

[*oracle tuning in der praxis rezepte und anleitungen für*](#) - Jan 17 2023

web unser internetangebot setzt cookies ein die cookies dienen dazu ihnen unser internetangebot anzubieten und nutzerfreundlicher zu gestalten oder sie für folgebefuche wiederzuerkennen und ihr nutzerverhalten anonymisiert auszuwerten für die nutzungsanalyse wird die software matomo verwendet

[oracle tuning in der praxis rezepte und anleitung pdf old vulkk](#) - Jul 11 2022

web oracle tuning in der praxis rezepte und anleitung 5 5 der informatik und der wirtschaftsinformatik gehalten hat es eignet sich für alle aktuellen versionen von oracle als werkzeuge werden neben sql plus die oracle spezifische programmiersprache pl sql und das precompiler system pro c c eingesetzt in diesem zusammenhang

[*inhaltsverzeichnis frank haas oracle tuning in der praxis rezepte und*](#) - Apr 20 2023

web oracle tuning in der praxis rezepte und anleitungen für datenbankadministratoren und entwickler isbn 978 3 446 41907 0 weitere informationen oder bestellungen unter hanser de 978 3 446 41907 0 sowie im buchhandel

oracle tuning in der praxis pdf ebook kaufen ebooks - Mar 19 2023

web oracle tuning in der praxis rezepte und anleitungen für datenbankadministratoren und entwickler doag edition praxiswissen so läuft ihre oracle datenbank wie geschmiert hier erhalten sie unterstützung für ihre tägliche arbeit als dba nutzen sie das experten know how und die praxistipps des autors

oracle tuning in der praxis rezepte und anleitungen für - Apr 08 2022

web sep 14 2023 anleitungen für oracle tuning in der praxis bücher de oracle sql optimizer und performance workshop sechs best practices für eine oracle datenbankoptimierung the art and science of oracle performance tuning lawson oracle pl sql für fortgeschrittenen training oracle tuning in der praxis hanser fachbuch oracle

oracle tuning in der praxis rezepte und anleitung book - Feb 06 2022

web oracle tuning in der praxis rezepte und anleitung muster rezepte der gebräuchlichsten mittel für die privat rezeptur dec

20 2020 der brotdoc gesundes brot backen mit sauer Teig hefe Teig co jul 27 2021 nach dem erfolg des brotbackbuch nr 2 von lutz geißler und björn hollensteiner alias der brotdoc legt der brotdoc jetzt

9783446400139 oracle tuning in der praxis zvab - Nov 15 2022

web als administrator müssen sie die methoden der optimierung und des tunings kennen und einsetzen um optimale ergebnisse zu erzielen dieses praxisbuch liefert dafür zahlreiche anleitungen und skripte

oracle tuning in der praxis rezepte und anleitungen für - May 21 2023

web oracle tuning in der praxis rezepte und anleitungen für datenbankadministratoren und entwickler haas frank isbn 9783446400139 kostenloser versand für alle bücher mit versand und verkauf duch amazon

oracle tuning praxis rezepte zvab - Feb 18 2023

web oracle tuning in der praxis rezepte und anleitungen für datenbankadministratoren und entwickler isbn 10 3446419071 isbn 13 9783446419070 anbieter medimops berlin deutschland bewertung verkäufer kontaktieren buch gebraucht hardcover eur 4 04 währung umrechnen versand gratis innerhalb deutschlands anzahl 1 in den warenkorb

leseprobe frank haas oracle tuning in der praxis rezepte und - Jun 22 2023

web oracle tuning in der praxis rezepte und anleitungen für datenbankadministratoren und entwickler isbn 978 3 446 41907 0 weitere informationen oder bestellungen unter hanser de 978 3 446 41907 0 sowie im buchhandel

oracle tuning in der praxis rezepte und anleitungen für - Oct 14 2022

web oracle tuning in der praxis rezepte und anleitungen für datenbankadministratoren und entwickler by frank haas oracle tuning in der praxis hanser elibrary hanser e books oracle tuning in der praxis rezepte und kann ihr datenbankadministrator die oracle blogs sql tuning sets im einsatz teil2 oracle 10 spitzen events für die

oracle tuning in der praxis rezepte und anleitung - Aug 12 2022

web oracle tuning in der praxis rezepte und anleitung erfolgreiche datenbankanwendung mit sql3 objektorientierte datenbanksysteme oracle 10g für den dba oracle 12c oracle core essential internals for dbas and developers performance tuning für oracle datenbanken softwareentwicklung formales sql tuning für oracle datenbanken

oracle tuning best practices burleson oracle consulting - Jun 10 2022

web here are the mail areas of oracle tuning best practices be proactive the proactive tuning approach allows you to develop signatures for all salient oracle tuning events disk reads internal contention a reactive approach neglects the dynamic nature of oracle tuning and a best practice is to proactively monitor oracle tuning seeking

instruction manual for programmable digital timer item no - Apr 29 2022

web download instruction manual of everflourish emt757 timer for free or view it online on all guides com brand everflourish category timer

extrastar digital timer emt757 setup guide youtube - Jul 01 2022

web 1 the programmable digital timer hereinafter refer as timer can preset specific on off time of your home electrical appliances it is ideal for energy saving and home security

emt757 e everflourish emt 757 manual user manual search - Aug 02 2022

web download instruction manual of everflourish emt757 timer for free or view it online on all guides com brand everflourish category diehl program timers operating

instruction manual for programmable digital timer item no - Jun 12 2023

web instruction manual for programmable digital timer item no emt757 functions the programmable digital timer hereinafter refer as timer can preset specific on off time

cotech emt757 user manual english 5 pages - Oct 24 2021

manual rev emt757 time switch manuals manuall - Dec 06 2022

web instruction manual for programmable digital timer item no emt757 a functions 1 the programmable digital timer hereinafter refer as timer can preset specific on off time

manual sencys praxis emt757 page 1 of 4 english libble eu - Nov 05 2022

web download instruction manual of everflourish emt757 timer for free or view it online on all guides com brand everflourish category timer type instruction manual for

manual emos emt757 f time switch manuals manuall - Jan 07 2023

web view and download the manual of sencys praxis emt757 digital timer page 1 of 4 english also support or get the manual by email

manual cotech emt757 time switch manuals manuall - Mar 09 2023

web manual for emos emt757 f time switch view and download the pdf find answers to frequently asked questions and read feedback from users miro 05 11 2022 how do i

digital timer switch clas ohlson - Jul 13 2023

web product description digital timer switch with 20 on off operations countdown random function random on and off lcd display safety shutters buttons and functions lcd

emt757a pdf timer ac power plugs and sockets scribd - Oct 04 2022

web user manual everflourish emt 757 manual open the pdf directly view pdf page count 4 of 4

everflourish emt757 instruction manual pdf - Aug 14 2023

web instruction manual for programmable digital timer item no emt757 a functions 1 the programmable digital timer

hereinafter refer as timer can preset specific on off time

[coitech emt757 uk instruction manual pdf download](#) - Nov 24 2021

web instruction manual for programmable digital timer item no emt757 a functions 1 the programmable digital timer

hereinafter refer as timer can preset specific on off time

everflourish emt757 manuals and user guides timer manuals - Mar 29 2022

web clas ohlson emt757 uk manual download manual of clas ohlson emt757 timer for free or view it online on all guides com

everflourish emt757 timer instruction manual pdf - May 31 2022

web user manuals guides and specifications for your everflourish emt757 timer database contains 1 everflourish emt757 manuals available for free online viewing or

[clas ohlson emt757 timer manual pdf view download all](#) - Jan 27 2022

web view and download coitech emt757 uk instruction manual online emt757 uk timer pdf manual download also for emt757x2 emt757

[everflourish emt757 timer instruction manual pdf](#) - Sep 03 2022

web sep 17 2021 extrastar digital timer emt757 setup guide program your home appliances with ease extrastar uk 131 subscribers subscribe 27k views 1 year ago in

[bedienungsanleitung zeitschaltuhr emt757 conrad electronic](#) - Dec 26 2021

web view the manual for the cotech emt757 here for free this manual comes under the category not categorized and has been rated by 9 people with an average of a 8 6 this

[user manual cotech emt757 english 5 pages](#) - Apr 10 2023

web need a manual for your clas ohlson emt757 time switch below you can view and download the pdf manual for free there are also frequently asked questions a product

manual clas ohlson emt757 time switch manuals - Feb 08 2023

web manual rev emt757 time switch need a manual for your rev emt757 time switch below you can view and download the pdf manual for free there are also frequently

everflourish emt757 timer instruction manual pdf - Feb 25 2022

web bedienungsanleitung zeitschaltuhr emt757 anzeigt der countdown timer ist zwischen der programmgruppe 20 off und 1 on zu finden 1 on q 1 off q q

instruction manual for programmable digital timer conrad - Sep 22 2021

clas ohlson emt757 uk manual pdf download - May 11 2023

web need a manual for your cotech emt757 time switch below you can view and download the pdf manual for free there are also frequently asked questions a product rating

viva education india s best school books publisher buy cbse - Nov 26 2022

web viva education teacher s training workshop media report video news viva books at new delhi world book fair 2018

teacher s day competition 2016 an introduction viva education real english kogan page india jones bartlett india testimonials

20 000 students celebrated their talents at vibgyor s viva 14 - Jan 29 2023

web dec 20 2022 the winners of viva 14 are the final events were judged by an eminent jury including successful industry leading choreographers classical dance artists fashion models singers musicians tv celebrities and filmmakers

teacher s day competition 2016 an introduction viva teacher s day - Feb 27 2023

web 6 4k views 104 likes 2 loves 3 comments 92 shares facebook watch videos from viva education viva teacher s day competition 2016 participate in the contest at vivaeducationindia com to win

viva education s post linkedin india - Oct 06 2023

web we are pleased to announce the top 5 winners of the teacher s day contest conducted in september 2022 certificate of participation will be shared with the

winners for the teacher s day contest viva education india - Mar 19 2022

web look guide winners for the teacher s day contest viva education india as you such as by searching the title publisher or authors of guide you in point of fact want you can discover them rapidly

sangeeta datta posted on linkedin - Aug 04 2023

web we are pleased to announce the top 5 winners of the teacher s day contest conducted in september 2022 certificate of participation will be shared with the participants soon the winners are

[ebook winners for the teacher s day contest viva education india](#) - Apr 19 2022

web sep 29 2023 their favorite novels like this winners for the teacher s day contest viva education india pdf but end up in infectious downloads rather than enjoying a good book with a cup of coffee in the afternoon instead they cope with some

infectious virus inside their desktop computer winners for the teacher s day contest viva education

viva education teacher s day essay contest 2016 - Mar 31 2023

web viva education teacher s day essay contest 2016 vivaeducationindia com organization viva education competition name viva teacher s day contest 2016 applicable for school teachers from india last date for submission

teachers day 2023 updates meet winners of national - Jul 03 2023

web sep 5 2023 the event took place at vigyan bhawan new delhi the 75 teachers include 50 school teachers 13 teachers from higher education and 12 teachers from the ministry of skill development and entrepreneurship each awardee will

receive a certificate of merit a cash award of rs 50 000 and a silver medal

teacher s day contest the hindu - Aug 24 2022

web this apart the teacher and the school will be conferred the reynolds the hindu best teacher school award of all five winners and five runners up will be given reynolds

byju s teachers day contest tell us about your special teacher - Oct 26 2022

web sep 3 2021 teacher s day in india is a yearly celebration on the fifth of september this is a day to respect our teachers for their significant work teachers hold the real knowledge empathy and generosity for their students

winner for the teacher s day contest viva education india - Jul 23 2022

web teacher s day contest viva education india what you in the manner of to read talis 2018 results volume ii teachers and school leaders as valued professionals oecd 2020 03 23 this report aims to provide an in depth analysis of teachers

congratulations teachers day contest winners - Jun 02 2023

web sep 5 2023 the teacher who motivates me everyday a teacher is a person who teaches the students with real knowledge as well as motivates them along with teaching a teacher should create a healthy environment for his students to make them

understand in a more precise manner the person who inspires me every day in my school is my

winner for the teacher s day contest viva education india - Feb 15 2022

web that people have search numerous times for their favorite books like this winners for the teacher s day contest viva education india but end up in malicious downloads rather than reading a good book with a cup of coffee in the afternoon

instead they juggled with some harmful bugs inside their laptop winners for the teacher s day contest

viva education viva education teachers day contest we - Sep 05 2023

web viva education teachers day contest we are honoured to introduce mr ashok ganguly and dr suresh garg as our panelists for this year s teachers day contest

winner for the teacher s day contest viva education india - Sep 24 2022

web jun 15 2023 winners for the teacher s day contest viva education india what you like to browse if you effort to download and implement the winners for the teacher s day contest viva education india it is totally simple then currently we extend the associate to buy and create bargains to retrieve

winner for the teacher s day contest viva education india - Jun 21 2022

web jun 13 2023 winners for the teacher s day contest viva education india 1 7 downloaded from uniport edu ng on june 13 2023 by guest winners for the teacher s day contest viva education india thank you entirely much for downloading winners

for the teacher s day contest viva education india most likely you have knowledge that

cambridge dedicated teacher awards india regional winner - Dec 28 2022

web jun 6 2023 we then share these nominations for the world to see after we received over 11 000 entries from 99 different countries for the 2023 awards our judges decided on maths teacher gaurav sharma from firststeps school india as the regional winner for east and south asia so let s find out more about gaurav

[winners for the teacher s day contest viva education india](#) - May 21 2022

web currently we extend the partner to buy and create bargains to download and install winners for the teacher s day contest viva education india fittingly simple four decades of distance education in india suresh garg 2006 the evolution of distance education in india in forms of dual mode single mode and consortia has been phenomenal

teachers day 2022 list of teachers selected for national awards - May 01 2023

web sep 3 2022 teachers awards 2022 national awards to teachers 2022 president of india draupadi murmu on the occasion of teachers day which will be celebrated on september 5 2022 will confer the national