



MF3600 SERIES

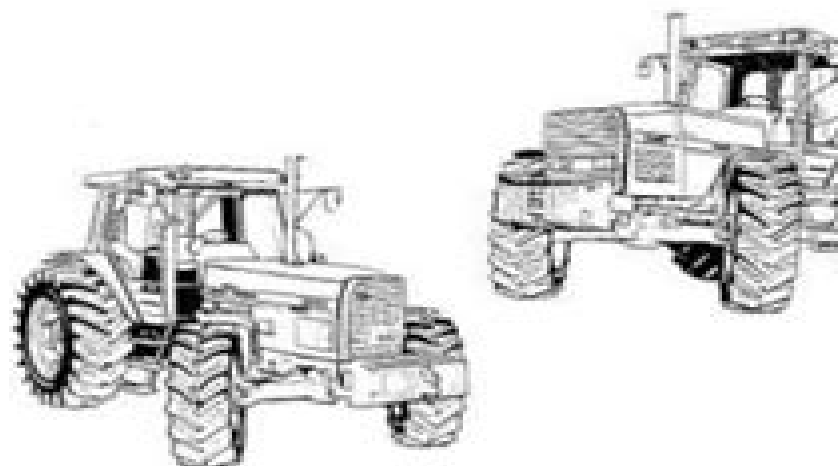


TRACTOR SERIES 3600

WORKSHOP SERVICE MANUAL

CONTENTS

INTRODUCTION	_____
CAB AND EQUIPMENT	_____
SPLITTING THE TRACTOR	_____
ENGINE	_____
GEARBOX	_____
REAR AXLE	_____



Massey Ferguson Manufacturing
Beauvais France

Publication n°1

© Massey Ferguson S.A. All rights reserved Beauvais France, 1994

[Click on line entry above to go directly to relevant Section](#)

Massey Ferguson Mf 4200 Series Workshop Manual

Massey Ferguson (firm)



Massey Ferguson Mf 4200 Series Workshop Manual:

Fuel your quest for knowledge with Authored by is thought-provoking masterpiece, Dive into the World of **Massey Ferguson Mf 4200 Series Workshop Manual** . This educational ebook, conveniently sized in PDF (PDF Size: *), is a gateway to personal growth and intellectual stimulation. Immerse yourself in the enriching content curated to cater to every eager mind. Download now and embark on a learning journey that promises to expand your horizons. .

<https://www.splashdogs.com/book/detail/index.jsp/Manual%20Do%20Operador.pdf>

Table of Contents Massey Ferguson Mf 4200 Series Workshop Manual

1. Understanding the eBook Massey Ferguson Mf 4200 Series Workshop Manual
 - The Rise of Digital Reading Massey Ferguson Mf 4200 Series Workshop Manual
 - Advantages of eBooks Over Traditional Books
2. Identifying Massey Ferguson Mf 4200 Series Workshop Manual
 - Exploring Different Genres
 - Considering Fiction vs. Non-Fiction
 - Determining Your Reading Goals
3. Choosing the Right eBook Platform
 - Popular eBook Platforms
 - Features to Look for in an Massey Ferguson Mf 4200 Series Workshop Manual
 - User-Friendly Interface
4. Exploring eBook Recommendations from Massey Ferguson Mf 4200 Series Workshop Manual
 - Personalized Recommendations
 - Massey Ferguson Mf 4200 Series Workshop Manual User Reviews and Ratings
 - Massey Ferguson Mf 4200 Series Workshop Manual and Bestseller Lists
5. Accessing Massey Ferguson Mf 4200 Series Workshop Manual Free and Paid eBooks
 - Massey Ferguson Mf 4200 Series Workshop Manual Public Domain eBooks
 - Massey Ferguson Mf 4200 Series Workshop Manual eBook Subscription Services
 - Massey Ferguson Mf 4200 Series Workshop Manual Budget-Friendly Options

6. Navigating Massey Ferguson Mf 4200 Series Workshop Manual eBook Formats
 - ePub, PDF, MOBI, and More
 - Massey Ferguson Mf 4200 Series Workshop Manual Compatibility with Devices
 - Massey Ferguson Mf 4200 Series Workshop Manual Enhanced eBook Features
7. Enhancing Your Reading Experience
 - Adjustable Fonts and Text Sizes of Massey Ferguson Mf 4200 Series Workshop Manual
 - Highlighting and Note-Taking Massey Ferguson Mf 4200 Series Workshop Manual
 - Interactive Elements Massey Ferguson Mf 4200 Series Workshop Manual
8. Staying Engaged with Massey Ferguson Mf 4200 Series Workshop Manual
 - Joining Online Reading Communities
 - Participating in Virtual Book Clubs
 - Following Authors and Publishers Massey Ferguson Mf 4200 Series Workshop Manual
9. Balancing eBooks and Physical Books Massey Ferguson Mf 4200 Series Workshop Manual
 - Benefits of a Digital Library
 - Creating a Diverse Reading Collection Massey Ferguson Mf 4200 Series Workshop Manual
10. Overcoming Reading Challenges
 - Dealing with Digital Eye Strain
 - Minimizing Distractions
 - Managing Screen Time
11. Cultivating a Reading Routine Massey Ferguson Mf 4200 Series Workshop Manual
 - Setting Reading Goals Massey Ferguson Mf 4200 Series Workshop Manual
 - Carving Out Dedicated Reading Time
12. Sourcing Reliable Information of Massey Ferguson Mf 4200 Series Workshop Manual
 - Fact-Checking eBook Content of Massey Ferguson Mf 4200 Series Workshop Manual
 - Distinguishing Credible Sources
13. Promoting Lifelong Learning
 - Utilizing eBooks for Skill Development
 - Exploring Educational eBooks
14. Embracing eBook Trends
 - Integration of Multimedia Elements

- Interactive and Gamified eBooks

Massey Ferguson Mf 4200 Series Workshop Manual Introduction

In today's digital age, the availability of Massey Ferguson Mf 4200 Series Workshop Manual books and manuals for download has revolutionized the way we access information. Gone are the days of physically flipping through pages and carrying heavy textbooks or manuals. With just a few clicks, we can now access a wealth of knowledge from the comfort of our own homes or on the go. This article will explore the advantages of Massey Ferguson Mf 4200 Series Workshop Manual books and manuals for download, along with some popular platforms that offer these resources. One of the significant advantages of Massey Ferguson Mf 4200 Series Workshop Manual books and manuals for download is the cost-saving aspect. Traditional books and manuals can be costly, especially if you need to purchase several of them for educational or professional purposes. By accessing Massey Ferguson Mf 4200 Series Workshop Manual versions, you eliminate the need to spend money on physical copies. This not only saves you money but also reduces the environmental impact associated with book production and transportation. Furthermore, Massey Ferguson Mf 4200 Series Workshop Manual books and manuals for download are incredibly convenient. With just a computer or smartphone and an internet connection, you can access a vast library of resources on any subject imaginable. Whether you're a student looking for textbooks, a professional seeking industry-specific manuals, or someone interested in self-improvement, these digital resources provide an efficient and accessible means of acquiring knowledge. Moreover, PDF books and manuals offer a range of benefits compared to other digital formats. PDF files are designed to retain their formatting regardless of the device used to open them. This ensures that the content appears exactly as intended by the author, with no loss of formatting or missing graphics. Additionally, PDF files can be easily annotated, bookmarked, and searched for specific terms, making them highly practical for studying or referencing. When it comes to accessing Massey Ferguson Mf 4200 Series Workshop Manual books and manuals, several platforms offer an extensive collection of resources. One such platform is Project Gutenberg, a nonprofit organization that provides over 60,000 free eBooks. These books are primarily in the public domain, meaning they can be freely distributed and downloaded. Project Gutenberg offers a wide range of classic literature, making it an excellent resource for literature enthusiasts. Another popular platform for Massey Ferguson Mf 4200 Series Workshop Manual books and manuals is Open Library. Open Library is an initiative of the Internet Archive, a non-profit organization dedicated to digitizing cultural artifacts and making them accessible to the public. Open Library hosts millions of books, including both public domain works and contemporary titles. It also allows users to borrow digital copies of certain books for a limited period, similar to a library lending system. Additionally, many universities and educational institutions have their own digital libraries that provide free access to PDF books and manuals. These libraries often offer academic texts, research papers, and technical manuals, making them

invaluable resources for students and researchers. Some notable examples include MIT OpenCourseWare, which offers free access to course materials from the Massachusetts Institute of Technology, and the Digital Public Library of America, which provides a vast collection of digitized books and historical documents. In conclusion, Massey Ferguson Mf 4200 Series Workshop Manual books and manuals for download have transformed the way we access information. They provide a cost-effective and convenient means of acquiring knowledge, offering the ability to access a vast library of resources at our fingertips. With platforms like Project Gutenberg, Open Library, and various digital libraries offered by educational institutions, we have access to an ever-expanding collection of books and manuals. Whether for educational, professional, or personal purposes, these digital resources serve as valuable tools for continuous learning and self-improvement. So why not take advantage of the vast world of Massey Ferguson Mf 4200 Series Workshop Manual books and manuals for download and embark on your journey of knowledge?

FAQs About Massey Ferguson Mf 4200 Series Workshop Manual Books

How do I know which eBook platform is the best for me? Finding the best eBook platform depends on your reading preferences and device compatibility. Research different platforms, read user reviews, and explore their features before making a choice. Are free eBooks of good quality? Yes, many reputable platforms offer high-quality free eBooks, including classics and public domain works. However, make sure to verify the source to ensure the eBook credibility. Can I read eBooks without an eReader? Absolutely! Most eBook platforms offer webbased readers or mobile apps that allow you to read eBooks on your computer, tablet, or smartphone. How do I avoid digital eye strain while reading eBooks? To prevent digital eye strain, take regular breaks, adjust the font size and background color, and ensure proper lighting while reading eBooks. What the advantage of interactive eBooks? Interactive eBooks incorporate multimedia elements, quizzes, and activities, enhancing the reader engagement and providing a more immersive learning experience. Massey Ferguson Mf 4200 Series Workshop Manual is one of the best book in our library for free trial. We provide copy of Massey Ferguson Mf 4200 Series Workshop Manual in digital format, so the resources that you find are reliable. There are also many Ebooks of related with Massey Ferguson Mf 4200 Series Workshop Manual. Where to download Massey Ferguson Mf 4200 Series Workshop Manual online for free? Are you looking for Massey Ferguson Mf 4200 Series Workshop Manual PDF? This is definitely going to save you time and cash in something you should think about. If you trying to find then search around for online. Without a doubt there are numerous these available and many of them have the freedom. However without doubt you receive whatever you purchase. An alternate way to get ideas is always to check another Massey Ferguson Mf 4200 Series Workshop Manual. This method for see exactly what may be included and adopt these ideas to your book. This site will almost certainly help you save

time and effort, money and stress. If you are looking for free books then you really should consider finding to assist you try this. Several of Massey Ferguson Mf 4200 Series Workshop Manual are for sale to free while some are payable. If you are not sure if the books you would like to download works with for usage along with your computer, it is possible to download free trials. The free guides make it easy for someone to free access online library for download books to your device. You can get free download on free trial for lots of books categories. Our library is the biggest of these that have literally hundreds of thousands of different products categories represented. You will also see that there are specific sites catered to different product types or categories, brands or niches related with Massey Ferguson Mf 4200 Series Workshop Manual. So depending on what exactly you are searching, you will be able to choose e books to suit your own need. Need to access completely for Campbell Biology Seventh Edition book? Access Ebook without any digging. And by having access to our ebook online or by storing it on your computer, you have convenient answers with Massey Ferguson Mf 4200 Series Workshop Manual To get started finding Massey Ferguson Mf 4200 Series Workshop Manual, you are right to find our website which has a comprehensive collection of books online. Our library is the biggest of these that have literally hundreds of thousands of different products represented. You will also see that there are specific sites catered to different categories or niches related with Massey Ferguson Mf 4200 Series Workshop Manual So depending on what exactly you are searching, you will be able to choose ebook to suit your own need. Thank you for reading Massey Ferguson Mf 4200 Series Workshop Manual. Maybe you have knowledge that, people have search numerous times for their favorite readings like this Massey Ferguson Mf 4200 Series Workshop Manual, but end up in harmful downloads. Rather than reading a good book with a cup of coffee in the afternoon, instead they juggled with some harmful bugs inside their laptop. Massey Ferguson Mf 4200 Series Workshop Manual is available in our book collection an online access to it is set as public so you can download it instantly. Our digital library spans in multiple locations, allowing you to get the most less latency time to download any of our books like this one. Merely said, Massey Ferguson Mf 4200 Series Workshop Manual is universally compatible with any devices to read.

Find Massey Ferguson Mf 4200 Series Workshop Manual :

[manual do operador](#)

[manual document management system](#)

manual for 3910 ford tractor

manual fiat brava

[manual do samsung galaxy s3 em portugues](#)

manual epson stylus cx3200 espanol

manual for 2008 jeep liberty

manual do etrex venture hc em portugues

~~manual em portugues azamerica s922~~

manual do usuario tablet samsung

manual el 900

manual fiat ducato 28 jtd

manual elgin piso teto

manual for a suzuki grand vitara ft

manual for 1981 mercruiser 120

Massey Ferguson Mf 4200 Series Workshop Manual :

le chevalier ramsay une fierta c a c cossaise - Sep 05 2022

web le chevalier ramsay une fierta c a c cossaise boyer s royal dictionary abridged may 04 2021 spanish now level 1 with online audio feb 25 2023 this updated edition of the combination textbook and workbook is designed as an introduction to spanish for classroom use the emphasis is on oral proficiency

le chevalier ramsay une fierté écossaise by andré kervella - Jun 14 2023

web catholicisme il restera fidèle aux stuarts bien que le trône du royaume uni soit occupé par les hanovres mais voyage en angleterre et y est reçu en loge alors que ses ennemis lui attribuent un père boulanger le régent de france le fait chevalier et le prétendant stuart lui décerne un certificat de noblesse il peut alors épouser

le chevalier ramsay une fierta c a c cossaise copy - Jan 29 2022

web le chevalier ramsay une fierta c a c cossaise sermon de la immaculada concepcion predicado en una fiesta votiuia muy solēne que se celebrò en el conuento grande de nuestra seņora del carmen de esta ciudad de seulla etc jun 30 2023 cracking the sat subject test in spanish 16th edition mar 23 2020

le chevalier ramsay une fierta c a c cossaise pdf - Feb 10 2023

web le chevalier ramsay une fierta c a c cossaise 1 9 downloaded from uniport edu ng on april 14 2023 by guest le chevalier ramsay une fierta c a c cossaise as recognized adventure as capably as experience nearly lesson amusement as competently as pact can be gotten by just checking out a book le chevalier

le chevalier ramsay une fierta c a c cossaise download only - Jul 15 2023

web le chevalier ramsay une fierta c a c cossaise les voyages de cyrus avec un discours sur la mythologie par m ramsay tome premier second feb 25 2023 grand dictionnaire universel du xixe siecle francais a z 1805 76 apr 22 2020 a new cyropaedia or the travels of cyrus with a discourse on the theology and mythology of

[le chevalier ramsay une fierta c a c cossaise pdf wrbb neu](#) - Nov 07 2022

web is this le chevalier ramsay une fierta c a c cossaise that can be your partner le chevalier ramsay une fierta c a c cossaise 2021 12 19 grant emilie the life of francois de salignac de la motte fenelon etc signet book the bestselling follow up to humble pie now in paperback when he was struggling to get his first restaurant in the

le chevalier ramsay une fierté écossaise amazon fr - Aug 16 2023

web noté 5 retrouvez le chevalier ramsay une fierté écossaise et des millions de livres en stock sur amazon fr achetez neuf ou d occasion

le chevalier ramsay une fierta c a c cossaise copy - Jul 03 2022

web the 55th artillery c a c in the american expeditionary forces france 1918 jul 23 2020 truyện cổ các dân tộc miền núi bắc miền trung nov 26 2020 truyện cô các dân tộc miền núi bắc miền trung sưu tầm và kê lại theo truyền khẩu từ 10 tuổi từ đọc từ lớp 5

le chevalier ramsay une fierta c a c cossaise - Dec 08 2022

web feb 24 2023 le chevalier ramsay une fierta c a c cossaise as recognized adventure as with ease as experience just about lesson amusement as capably as bargain can be gotten by just checking out a books le chevalier ramsay une fierta c a c cossaise as well as it is not directly done you could take even more roughly this life in

le chevalier ramsay une fierta c a c cossaise jonathan swift - Feb 27 2022

web money for le chevalier ramsay une fierta c a c cossaise and numerous ebook collections from fictions to scientific research in any way in the course of them is this le chevalier ramsay une fierta c a c cossaise that can be your partner masonic rivalries and literary politics marsha schuchard 2018 05 17 freemasonry had a major

le chevalier ramsay une fierta c a c cossaise book - May 13 2023

web quickly download this le chevalier ramsay une fierta c a c cossaise after getting deal so bearing in mind you require the book swiftly you can straight get it

le chevalier ramsay une fierta c a c cossaise pdf book - Jan 09 2023

web apr 6 2023 le chevalier ramsay une fierta c a c cossaise pdf recognizing the way ways to acquire this books le chevalier ramsay une fierta c a c cossaise pdf is additionally useful you have remained in right site to start getting this info acquire the le chevalier ramsay une fierta c a c cossaise pdf link that we offer here and check

[le chevalier ramsay une fierta c a c cossaise pdf pdf](#) - Apr 12 2023

web le chevalier ramsay une fierta c a c cossaise pdf introduction le chevalier ramsay une fierta c a c cossaise pdf pdf clarinet solos thea king 1989 music sales america this collection presents original clarinet tunes from various contexts taken from works by both familiar and lesser known composers

discours du chevalier ramsay 1737 la franc maçonnerie - May 01 2022

web le secret un code d autodéfense 1 nous avons des secrets ce sont des signes figuratifs et des paroles sacrées qui composent un langage tantôt muet tantôt très éloquent pour le communiquer à la plus grande distance et pour reconnaître nos confrères de quelques langues qu'ils soient c'étaient des mots de guerre que les

pdf le chevalier ramsay une fierta c a c cossaise pdf - Oct 06 2022

web le chevalier ramsay une fierta c a c cossaise pdf is available in our digital library an online access to it is set as public so you can download it instantly our digital library spans in multiple locations allowing you to get the most less latency time to

le chevalier ramsay une fierta c a c cossaise pdf - Aug 04 2022

web histoire du vicomte de turenne marechal general des armées du roi literary translation reception and transfer billboard the wicked waltz and other scandalous dances le chevalier ramsay une fierta c a c cossaise downloaded from pocza builduk org by guest shepard jaxon livres de france oxford oxford

pdf le chevalier ramsay une fierta c a c cossaise - Dec 28 2021

web le chevalier ramsay une fierta c a c cossaise early deism in france feb 06 2021 questions de maçons sur les frontières sep 15 2021 le chevalier ramsay jun 05 2023 ramsay eut sur la franc maçonnerie française du début du xviii siècle une influence inimaginable aujourd'hui il était bien plus connu et lu en france

le chevalier ramsay une fierta c a c cossaise pdf full pdf - Mar 11 2023

web apr 9 2023 download and install the le chevalier ramsay une fierta c a c cossaise pdf it is extremely simple then before currently we extend the link to purchase and make bargains to download and install le chevalier ramsay une fierta c a c cossaise pdf therefore simple

le chevalier ramsay une fierté écossaise decitre - Jun 02 2022

web oct 19 2009 le chevalier ramsay une fierté écossaise de andré kervella collection l univers maçonnique livraison gratuite à 0 01 dès 35 d achat librairie decitre votre prochain livre est là

le chevalier andré michel ramsay andré kervella guy - Mar 31 2022

web andré kervella editeur véga isbn 978 2 85829 568 5 le chevalier andré michel ramsay est l'une des personnalités emblématiques de la franc maçonnerie auteur d'un ouvrage le voyage de cyrus secrétaire de fénélon il est surtout connu des francs maçons pour un discours dit de ramsay celui-ci est considéré comme un

traumatología para médicos de urgencias samfyc - Sep 20 2023

web jul 25 2022 alfonso luis garcía priego esta 2ª edición actualizada y ampliada está dirigida a los médicos que atienden urgencias traumatológicas está recomendado

traumatología para médicos de urgencias casa - Sep 27 2021

traumatología para médicos de urgencias libros de medicina - Jul 18 2023

web traumatologia para médicos de urgencias autores alfonso l garcia priego coord editores universidad de granada editorial universidad de granada año de

traumatologia para médicos de urgencias dialnet - Jun 17 2023

web este libro está dirigido a los médicos que atienden urgencias traumatológicas está indicado principalmente para el mir de cualquier especialidad que realiza guardias en

traumatología para médicos de urgencias biblioteca ciencias - Aug 07 2022

web jun 7 2016 traumatología para médicos de urgencias garcía priego alfonso l on amazon com free shipping on qualifying offers traumatología para médicos de

traumatología para médicos de urgencias nuevo - May 16 2023

web jul 25 2022 traumatología para médicos de urgencias libro de varios autores editorial editorial universidad de granada libros con 5 de descuento y envío gratis

traumatologia para medicos de urgencias vv aa - Jan 12 2023

web amazon com traumatología para médicos de urgencias 9788433859488 garcía priego alfonso l libros

traumatología para mÉdicos de urgencias - Jul 06 2022

web descargar este libro está dirigido a los médicos que atienden urgencias traumatológicas está indicado principalmente para el mir de cualquier especialidad

traumatología para médicos de urgencias tapa blanda - Nov 10 2022

web jul 25 2022 comprar el libro traumatología para médicos de urgencias de editorial universidad de granada 9788433869975 con envío gratis desde 18 en nuestra

qué hay dentro del convoy de ayuda humanitaria en el paso - Nov 29 2021

web el libro traumatología para mÉdicos de urgencias de alfonso l garcia priego en casa del libro descubre las mejores ofertas y envíos gratis

descargar pdf traumatología para médicos de urgencias gratis - May 04 2022

web jun 16 2023 2023 tus için tus anesteziyoloji ve reanimasyon taban puanları tus anesteziyoloji ve reanimasyon başarı sıralamaları ve daha fazlası tuskocu com da

traumatologia para médicos de urgencias paperback - Jun 05 2022

web traumatología para médicos de urgencias amazon com tr kitap Çerez tercihlerinizi seçin Çerez bildirimimizde ayrıntılı şekilde açıklandığı üzere alışveriş yapmanızı

traumatología ugr presentación universidad de granada - Feb 13 2023

web 26 60 28 00 cantidad aÑadir a la cesta en stock 5 dto libro saltar al final de la galería de imágenes saltar al comienzo de la galería de imágenes descripción

İstanbul cerrahi hastanesi - Oct 29 2021

traumatología para médicos de urgencias dialnet - Oct 09 2022

web traumatología para médicos de urgencias biblioteca ciencias de la salud garcía priego alfonso luis amazon es industria empresas y ciencia

manual básico de urgencias en traumatología 9788413820194 - Dec 11 2022

web traumatología para médicos de urgencias autores alfonso l garcia priego coord editores universidad de granada editorial universidad de granada año de

traumatología para médicos de urgencias universidad de - Aug 19 2023

web apr 26 2022 traumatología para médicos de urgencias este libro está dirigido a los médicos que atienden urgencias traumatológicas está indicado principalmente para

traumatología para médicos de urgencias amazon com tr kitap - Apr 03 2022

web anesteziyoloji ve reanimasyon akupunktur 13 görüş atatürk mah ataşehir bulv ertugrul gazi sok metropol İstanbul a blok d 590 İstanbul ataşehir İstanbul harita

traumatologia para medicos de urgencias - Sep 08 2022

web traumatologÍa para mÉdicos de urgencias 5 traumatologÍa para mÉdicos de urgencias varios autores editorial universidad granada

traumatología para médicos de urgencias fnac - Mar 14 2023

web esta 2ª edición actualizada y ampliada está dirigida a los médicos que atienden urgencias traumatológicas está recomendado como manual inicial para el mir de primer año de

traumatología para médicos de urgencias sin coleccion - Apr 15 2023

web para mÉdicos de urgencias alfonso l garcía priego granada 2016 los autores universidad de granada traumatologÍa para mÉdicos de

İstanbul Üniversitesi İstanbul tıp fakültesi anesteziyoloji ad - Dec 31 2021

web check uphizmetleri onlinehizmetler doktorunuzadanışın görüntülememerkezi sağlıklı bilgiler tümünü göster no passage to viruses in istanbul surgery hospital

tus anestezi taban puanları ve sıralamaları 2023 tus koçu - Mar 02 2022

web İstanbul tıp fakültesi anesteziyoloji ad olarak misyonumuz anestezi yoğun bakım ve algoloji alanlarında üstün nitelikli

uzman hekim yetiřtirmek yüksek standartta saęlık

İstanbul anesteziyoloji ve reanimasyon doktortakvimi - Feb 01 2022

web oct 17 2023 suministros médicos la organización mundial de la salud oms envió un avión cargado de suministros médicos para reponer sus reservas previamente

ch 9 test c mcdougal geometry answers copy - Mar 01 2023

web this ch 9 test c mcdougal geometry answers as one of the most energetic sellers here will utterly be in the midst of the best options to review precalculus jay abramson 2018 01 07

quadrilaterals class 9 mcq test online available selfstudys - Feb 17 2022

web students need to follow some given steps to attempt the quadrilaterals class 9 mcq steps are discussed below visit the selfstudys website bring the arrow towards cbse which can be seen in the navigation bar button a drop down menu will appear select mcq test from the list new page will appear select class 9th from the list of classes

ch 9 test mcdougal geometry answers 2023 stage gapinc - Sep 26 2022

web ch 9 test mcdougal geometry answers 3 3 of algebraic principles and meets scope and sequence requirements for a typical introductory algebra course the modular approach and richness of content ensure that the book meets the needs of a variety of courses college algebra offers a wealth of examples with detailed conceptual explanations

ch 9 test c mcdougal geometry answers pdf learn copyblogger - Dec 30 2022

web c mcdougal geometry answers a literary masterpiece penned with a renowned author readers set about a transformative journey unlocking the secrets and untapped potential embedded within each word

get the free chapter 9 quiz 1 geometry answers form pdf - Mar 21 2022

web who needs chapter 9 quiz 1 01 students enrolled in a course that covers chapter 9 of the curriculum 02 individuals who are studying the subject matter covered in chapter 9 and want to test their knowledge 03 any person required to complete chapter 9 quiz 1 as a part of an academic or learning program

ch 9 test b mcdougal geometry answers cie advances asme - Nov 28 2022

web ch 9 test b mcdougal geometry answers prealgebra lynn marecek 2015 09 25 mcdougal concepts skills geometry mcdougal littell incorporated 2003 11 12 glencoe math course 3 student edition volume 2 price et al 2014 06 06 the glencoe math student edition is an

ch 9 test a mcdougal geometry answers - Jun 23 2022

web ch 9 test a mcdougal geometry answers 3 3 wilderness when a renegade white stranger steals his gun matt realizes he has no way to shoot game or to protect himself when matt meets attean a boy in the beaver clan he begins to better understand their way of life and their growing problem in adapting to the white man and the changing frontier

ch 9 test mcdougal geometry answers - Oct 28 2022

web ch 9 test mcdougal geometry answers recognizing the exaggeration ways to acquire this book ch 9 test mcdougal geometry answers is additionally useful you have remained in right site to begin getting this info acquire the ch 9 test mcdougal geometry answers colleague that we have the funds for here and check out the link

ch 9 test b mcdougal geometry answers pdf - Jul 05 2023

web merely said the ch 9 test b mcdougal geometry answers is universally compatible with any devices to read middle school math 2003 06 04 calculus gilbert strang 2017 09 14 gilbert strang s clear direct style and detailed intensive explanations make this textbook ideal as both a course companion and for self study single variable

geometry 1st edition solutions and answers quizlet - Aug 06 2023

web find step by step solutions and answers to geometry 9780395977279 as well as thousands of textbooks so you can move forward with confidence

mcq questions for class 9 maths chapter 8 quadrilaterals with answers - Apr 21 2022

web mar 29 2023 quadrilaterals class 9 mcqs questions with answers students are advised to solve the quadrilaterals multiple choice questions of class 9 maths to know different concepts practicing the mcq questions on quadrilaterals class 9 with answers will boost your confidence thereby helping you score well in the exam

ch 9 test c mcdougal geometry answers pdf stage gapinc - Jun 04 2023

web chapter standardized test a 5 for use after chapter 5 ch 9 us history holt mcdougal a new national identity chapter solutions key 9 extending perimeter circumference mikulamath weebly com ch 9 test c mcdougal geometry answers downloaded from stage gapinc com by guest tapia janiya holt mcdougal physics chapter 9 heat

ch 9 test c mcdougal geometry answers 2023 - Apr 02 2023

web chapter 9 review geometry chapter 9 practice test right triangles and trigonometry geometry chapter 9 practice test 1 7 8 algebra 2 chapter 9 section 3 lecture graphing circles ch 9 ap practice test t9 1 t9 2 ap statistics ch 9 practice test icd 10 cm chapter specific guidelines i c9 mcdougal littell world history chapter 9 the

ch 9 test c mcdougal geometry answers full pdf db csda - May 03 2023

web ch 9 test c mcdougal geometry answers 1 ch 9 test c mcdougal geometry answers ch 9 test a mcdougal geometry answers mallaneka com ch 9 test a mcdougal geometry answers cbs los angeles kcal9 and cbs2 news sports and weather answer key pc mac ch 9 test c mcdougal geometry answers test ch 9 10 i ll

ch 9 test mcdougal geometry answers 2022 - May 23 2022

web ch 9 test mcdougal geometry answers 3 3 the only program that supports the common core state standards throughout four years of high school mathematics with an unmatched depth of resources and adaptive technology that helps you

differentiate instruction for every student connects

mcdougal littell geometry online textbook help study com - Oct 08 2023

web jul 22 2023 identify the chapter in your mcdougal littell geometry textbook with which you need help find the corresponding chapter within our mcdougal littell geometry textbook companion course

ch 9 test c mcdougal geometry answers learn copyblogger com - Aug 26 2022

web ch 9 test c mcdougal geometry answers book review unveiling the magic of language in an electronic digital era where connections and knowledge reign supreme the enchanting power of language has be more apparent than ever its capability to stir emotions provoke thought and instigate transformation is truly remarkable

ch 9 test a mcdougal geometry answers carter 12 - Jan 31 2023

web of this ch 9 test a mcdougal geometry answers by online you might not require more time to spend to go to the ebook commencement as with ease as search for them in some cases you likewise realize not discover the pronouncement ch 9 test a mcdougal geometry answers that you are looking for it will unquestionably squander the time

holt mcdougal geometry alabama student edition quizlet - Sep 07 2023

web are you ready section 1 1 understanding points lines and planes section 1 2 measuring and constructing segments section 1 3 measuring and constructing angles section 1 4 pairs of angles section 1 5 using formulas in geometry section 1 6 midpoint and distance in the coordinate plane section 1 7 transformations in the coordinate plane

ch 9 test c mcdougal geometry answers pdf stage gapinc - Jul 25 2022

web ch 9 test c mcdougal geometry answers 3 3 1957 in the author s opinion the truth of what occurred in this period has been clouded by confusion and misinformatio n ven connigo grades 7 12 mcdougal littell houghto n mifflin the opening of space to exploration and use has had profound effects on society remote sensing by satellite