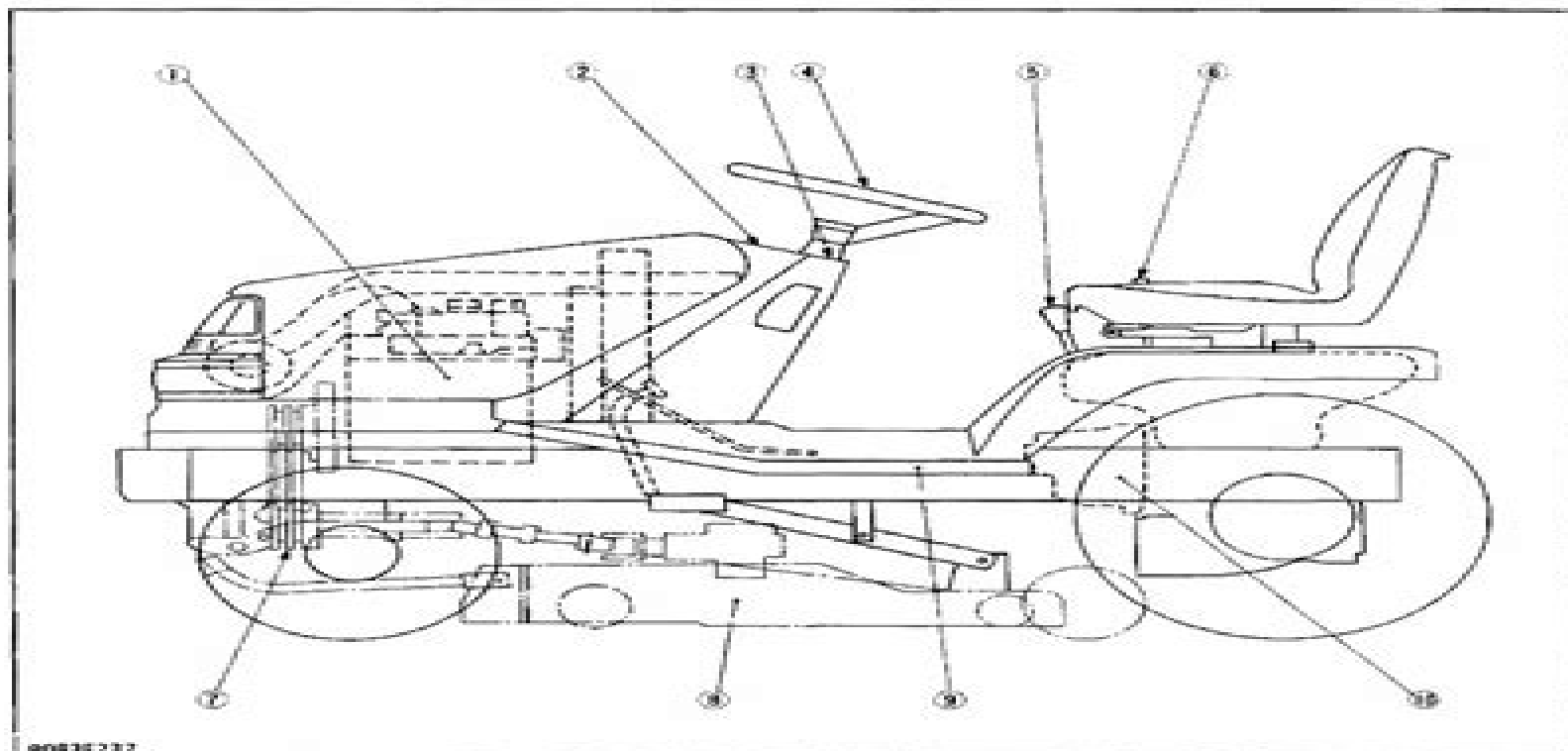


# F FEATURES



8083F237

- (1) New KUBOTA Engines**  
Models G1700, G1800 and G1900 are mounted vertical, liquid cooled, 4-cycle diesel engines. Model G2000 is mounted vertical, liquid cooled, 4-cycle gasoline engine. These efficient and powerful KUBOTA engines provide the harnessed power and mighty torque rise essential for handling even heavy-duty tasks.
- (2) Easy Checker**  
To facilitate checking, the easy checker is provided.
- (3) Engine Key Switch Shut-Off System**  
The engine can be stopped easily by key switch operation.
- (4) 4 Wheel Steering System**  
On 4WS models, an extremely tight turning radius increases mowing efficiency.
- (5) Cruise Control System**  
This system will provide a constant forward speed by mechanically holding the speed change pedal at the selected position.
- (6) Hydraulic Lifting System**  
This system makes lifting and lowering the mower simple and efficient.
- (7) Front PTO System**  
This system supplies power for the mower.
- (8) Mower**  
To fit a variety of applications, various mower sizes are available.
- (9) Semi-Flat Deck**  
The semi-flat deck with its ample foot space increases comfort during long operations as well as making getting on and off much easier.
- (10) Hydrostatic Transmission**  
Easy operation by the speed change pedal without clutch operation realizes comfortable operation.

# Kubota G1800 Manual 1998

**Joacim Rocklöv**



**Kubota G1800 Manual 1998:**

This book delves into Kubota G1800 Manual 1998. Kubota G1800 Manual 1998 is an essential topic that must be grasped by everyone, from students and scholars to the general public. The book will furnish comprehensive and in-depth insights into Kubota G1800 Manual 1998, encompassing both the fundamentals and more intricate discussions.

1. The book is structured into several chapters, namely:

- Chapter 1: Introduction to Kubota G1800 Manual 1998
- Chapter 2: Essential Elements of Kubota G1800 Manual 1998
- Chapter 3: Kubota G1800 Manual 1998 in Everyday Life
- Chapter 4: Kubota G1800 Manual 1998 in Specific Contexts
- Chapter 5: Conclusion

2. In chapter 1, this book will provide an overview of Kubota G1800 Manual 1998. This chapter will explore what Kubota G1800 Manual 1998 is, why Kubota G1800 Manual 1998 is vital, and how to effectively learn about Kubota G1800 Manual 1998.

3. In chapter 2, the author will delve into the foundational concepts of Kubota G1800 Manual 1998. The second chapter will elucidate the essential principles that must be understood to grasp Kubota G1800 Manual 1998 in its entirety.

4. In chapter 3, the author will examine the practical applications of Kubota G1800 Manual 1998 in daily life. The third chapter will showcase real-world examples of how Kubota G1800 Manual 1998 can be effectively utilized in everyday scenarios.

5. In chapter 4, the author will scrutinize the relevance of Kubota G1800 Manual 1998 in specific contexts. The fourth chapter will explore how Kubota G1800 Manual 1998 is applied in specialized fields, such as education, business, and technology.

6. In chapter 5, this book will draw a conclusion about Kubota G1800 Manual 1998. The final chapter will summarize the key points that have been discussed throughout the book.

This book is crafted in an easy-to-understand language and is complemented by engaging illustrations. This book is highly recommended for anyone seeking to gain a comprehensive understanding of Kubota G1800 Manual 1998.

[https://www.splashdogs.com/About/virtual-library/HomePages/Hankison\\_Air\\_Dryer\\_Service\\_Manual\\_Hpr25.pdf](https://www.splashdogs.com/About/virtual-library/HomePages/Hankison_Air_Dryer_Service_Manual_Hpr25.pdf)

## **Table of Contents Kubota G1800 Manual 1998**

1. Understanding the eBook Kubota G1800 Manual 1998

- The Rise of Digital Reading Kubota G1800 Manual 1998
- Advantages of eBooks Over Traditional Books
- 2. Identifying Kubota G1800 Manual 1998
  - Exploring Different Genres
  - Considering Fiction vs. Non-Fiction
  - Determining Your Reading Goals
- 3. Choosing the Right eBook Platform
  - Popular eBook Platforms
  - Features to Look for in an Kubota G1800 Manual 1998
  - User-Friendly Interface
- 4. Exploring eBook Recommendations from Kubota G1800 Manual 1998
  - Personalized Recommendations
  - Kubota G1800 Manual 1998 User Reviews and Ratings
  - Kubota G1800 Manual 1998 and Bestseller Lists
- 5. Accessing Kubota G1800 Manual 1998 Free and Paid eBooks
  - Kubota G1800 Manual 1998 Public Domain eBooks
  - Kubota G1800 Manual 1998 eBook Subscription Services
  - Kubota G1800 Manual 1998 Budget-Friendly Options
- 6. Navigating Kubota G1800 Manual 1998 eBook Formats
  - ePub, PDF, MOBI, and More
  - Kubota G1800 Manual 1998 Compatibility with Devices
  - Kubota G1800 Manual 1998 Enhanced eBook Features
- 7. Enhancing Your Reading Experience
  - Adjustable Fonts and Text Sizes of Kubota G1800 Manual 1998
  - Highlighting and Note-Taking Kubota G1800 Manual 1998
  - Interactive Elements Kubota G1800 Manual 1998
- 8. Staying Engaged with Kubota G1800 Manual 1998
  - Joining Online Reading Communities
  - Participating in Virtual Book Clubs
  - Following Authors and Publishers Kubota G1800 Manual 1998

9. Balancing eBooks and Physical Books Kubota G1800 Manual 1998
  - Benefits of a Digital Library
  - Creating a Diverse Reading Collection Kubota G1800 Manual 1998
10. Overcoming Reading Challenges
  - Dealing with Digital Eye Strain
  - Minimizing Distractions
  - Managing Screen Time
11. Cultivating a Reading Routine Kubota G1800 Manual 1998
  - Setting Reading Goals Kubota G1800 Manual 1998
  - Carving Out Dedicated Reading Time
12. Sourcing Reliable Information of Kubota G1800 Manual 1998
  - Fact-Checking eBook Content of Kubota G1800 Manual 1998
  - Distinguishing Credible Sources
13. Promoting Lifelong Learning
  - Utilizing eBooks for Skill Development
  - Exploring Educational eBooks
14. Embracing eBook Trends
  - Integration of Multimedia Elements
  - Interactive and Gamified eBooks

### **Kubota G1800 Manual 1998 Introduction**

Free PDF Books and Manuals for Download: Unlocking Knowledge at Your Fingertips In today's fast-paced digital age, obtaining valuable knowledge has become easier than ever. Thanks to the internet, a vast array of books and manuals are now available for free download in PDF format. Whether you are a student, professional, or simply an avid reader, this treasure trove of downloadable resources offers a wealth of information, conveniently accessible anytime, anywhere. The advent of online libraries and platforms dedicated to sharing knowledge has revolutionized the way we consume information. No longer confined to physical libraries or bookstores, readers can now access an extensive collection of digital books and manuals with just a few clicks. These resources, available in PDF, Microsoft Word, and PowerPoint formats, cater to a wide range of interests, including literature, technology, science, history, and much more. One notable platform where you can explore and download free Kubota G1800 Manual 1998 PDF books and manuals is the internet's largest free library. Hosted

online, this catalog compiles a vast assortment of documents, making it a veritable goldmine of knowledge. With its easy-to-use website interface and customizable PDF generator, this platform offers a user-friendly experience, allowing individuals to effortlessly navigate and access the information they seek. The availability of free PDF books and manuals on this platform demonstrates its commitment to democratizing education and empowering individuals with the tools needed to succeed in their chosen fields. It allows anyone, regardless of their background or financial limitations, to expand their horizons and gain insights from experts in various disciplines. One of the most significant advantages of downloading PDF books and manuals lies in their portability. Unlike physical copies, digital books can be stored and carried on a single device, such as a tablet or smartphone, saving valuable space and weight. This convenience makes it possible for readers to have their entire library at their fingertips, whether they are commuting, traveling, or simply enjoying a lazy afternoon at home. Additionally, digital files are easily searchable, enabling readers to locate specific information within seconds. With a few keystrokes, users can search for keywords, topics, or phrases, making research and finding relevant information a breeze. This efficiency saves time and effort, streamlining the learning process and allowing individuals to focus on extracting the information they need. Furthermore, the availability of free PDF books and manuals fosters a culture of continuous learning. By removing financial barriers, more people can access educational resources and pursue lifelong learning, contributing to personal growth and professional development. This democratization of knowledge promotes intellectual curiosity and empowers individuals to become lifelong learners, promoting progress and innovation in various fields. It is worth noting that while accessing free Kubota G1800 Manual 1998 PDF books and manuals is convenient and cost-effective, it is vital to respect copyright laws and intellectual property rights. Platforms offering free downloads often operate within legal boundaries, ensuring that the materials they provide are either in the public domain or authorized for distribution. By adhering to copyright laws, users can enjoy the benefits of free access to knowledge while supporting the authors and publishers who make these resources available. In conclusion, the availability of Kubota G1800 Manual 1998 free PDF books and manuals for download has revolutionized the way we access and consume knowledge. With just a few clicks, individuals can explore a vast collection of resources across different disciplines, all free of charge. This accessibility empowers individuals to become lifelong learners, contributing to personal growth, professional development, and the advancement of society as a whole. So why not unlock a world of knowledge today? Start exploring the vast sea of free PDF books and manuals waiting to be discovered right at your fingertips.

### **FAQs About Kubota G1800 Manual 1998 Books**

How do I know which eBook platform is the best for me? Finding the best eBook platform depends on your reading

preferences and device compatibility. Research different platforms, read user reviews, and explore their features before making a choice. Are free eBooks of good quality? Yes, many reputable platforms offer high-quality free eBooks, including classics and public domain works. However, make sure to verify the source to ensure the eBook credibility. Can I read eBooks without an eReader? Absolutely! Most eBook platforms offer web-based readers or mobile apps that allow you to read eBooks on your computer, tablet, or smartphone. How do I avoid digital eye strain while reading eBooks? To prevent digital eye strain, take regular breaks, adjust the font size and background color, and ensure proper lighting while reading eBooks. What the advantage of interactive eBooks? Interactive eBooks incorporate multimedia elements, quizzes, and activities, enhancing the reader engagement and providing a more immersive learning experience. Kubota G1800 Manual 1998 is one of the best book in our library for free trial. We provide copy of Kubota G1800 Manual 1998 in digital format, so the resources that you find are reliable. There are also many Ebooks of related with Kubota G1800 Manual 1998. Where to download Kubota G1800 Manual 1998 online for free? Are you looking for Kubota G1800 Manual 1998 PDF? This is definitely going to save you time and cash in something you should think about.

**Find Kubota G1800 Manual 1998 :**

[hankison air dryer service manual hpr25](#)

**halfway to love**

**handleiding golf 7**

[handbook for marine radio communication](#)

**hamilton beach juicer instruction manual**

[hammerhead gt 150 manual](#)

**harcourt library leveling guide**

*handbook for writers 9th edition*

**hamworthy sewage treatment plant manual**

[hamilton beach water cooler manual](#)

[hamilton international h40616555 watches owners manual](#)

**happy days episode guide richies band**

[handmaiden jedi guide](#)

[happyhuhnharmonists erbauliches koumlstliches und nuumltzliches um ein einzig dastehendes quartett](#)

**hanspree hannsflora tvs owners manual**



**Kubota G1800 Manual 1998 :**

*listening to the right reverend his grace dr b e lekganyane facebook* - Aug 11 2022

web log in forgot account

*his grace bishop dr b e lekganyane friday 21 2022 facebook* - Feb 17 2023

web his grace bishop dr b e lekganyane friday 21 2022 his grace bishop dr b e lekganyane by music is king facebook

**zcc easter sermon his grace the right rev bishop dr b e lekganyane** - Sep 12 2022

web zcc easter sermon his grace the right rev bishop dr b e lekganyane view description share published may 5 2019 12 00 pm description church sermons from pastors priests bishops of various churches

**his grace the right rev dr be lekganyane special sermon thero** - Mar 18 2023

web the importance of confessions

genel cerrahi doktorlarını uzmanlarını listele en yakın uzmandan - Jan 04 2022

web genel cerrahi toplam 5658 uzman bulundu popüler Şehirler İstanbul ankara İzmir bursa antalya tüm Şehirler

*lecture series 2019 his grace the right rev bishop dr youtube* - Jul 22 2023

web sep 25 2019 2 3k 414k views 3 years ago his grace the right rev bishop dr barnabas e lekganyane gives a lecture on the zion christian church praying for peace in a changing south african and

*his grace the right rev bishop dr b e lekganyane* - Jun 09 2022

web sep 9 2018 his grace the right rev bishop dr b e lekganyane view description share published sep 9 2018 12 00 pm description church sermons from pastors priests bishops of various churches share play from 00 00

**today the bishop of the zcc his grace the right reverend dr** - Dec 15 2022

web today the bishop of the zcc his grace the right reverend dr b e lekganyane and the bishop of the zcc st engenas bishop joseph lekganyane returned by limpopo department of health bophelong facebook

**his grace bishop dr b e lekganyane pdfsdocuments2 full pdf** - Feb 05 2022

web delivered his sermon on the redemptive power of love at the royal wedding of prince harry and megan markle at windsor castle here he expands on his message of hope in an inspirational road map for living the way of love illuminated with moving lessons from his own life through the prism of his faith ancestry and personal journey love is

his grace dr bishop be lekganyane - Apr 07 2022

web the zion christian church announces peace mission to israel the leadership of the zion christian church and his grace bishop dr barnabas lekganyane is pleased to announce the commencement of the zcc peace mission to israel

**zcc bishop b e lekganyane thero ya easter good friday 2020 april his** - Jan 16 2023

web jun 25 2021 zcc bishop b e lekganyane thero ya easter good friday 2020 april his grace please subscribe masione afro

lions 101 subscribers subscribe 20k views 2

**his grace the right rev bishop dr barnabas lekganyane 2017 youtube** - Jun 21 2023

web his grace the right rev bishop dr barnabas lekganyane 2017 national day of prayer speech the big animal production 197 subscribers

*homepage welcome to the kganya website* - May 20 2023

web kganya website his grace the right reverend bishop dr be lekganyane started kganya in 1990 to protect his congregation against tough financial times when a family member passes away his grace the bishop wants every member to be treated fairly equally and professionally at all times

**a c a l l t o f a i t h l e a d e r s t o k e e p t h e e c o l o g i c a l s u s** - May 08 2022

web his grace the right reverend bishop dr b e lekganyane shared a public lecture entitled ecological sustainability as a topic of redemption within the theology of the zion christian church zcc on 29 october 2019 this lecture was given at the international conference

zion christian church university of cape town - Nov 14 2022

web his grace bishop b e lekganyane tel 0152 2671124 5 zion city moria fax 0152 2671124 5 p o box 1 boyne 0728

pietersburg chairperson archbishop tutu members of the truth and reconciliation commission brothers and sisters we greet you in the name of peace the name of our lord jesus christ

**his grace the right rev bishop dr barnabas lekgnyane 2019 youtube** - Aug 23 2023

web jan 21 2023 his grace the right rev bishop dr barnabas lekgnyane 2019 national day of prayer speech the big animal production

**zcc september sermon his grace the right rev bishop dr b e lekganyane** - Oct 13 2022

web zcc september sermon his grace the right rev bishop dr b e lekganyane

**zcc easter sermon his grace the right rev bishop dr b e lekganyane** - Jul 10 2022

web may 5 2019 sleep timer off end of episode 5 minutes 10 minutes 15 minutes 30 minutes 45 minutes 60 minutes 120 minutes

about us welcome to the kganya website - Apr 19 2023

web his grace the right reverend bishop dr be lekganyane chairman em lekganyane deputy chairman and ceo jm mosotho executive message from his grace the right reverend bishop dr b e lekganyane the kganya group celebrated its 31 st anniversary in march of 2021

*i ve just met his grace dr mokgweetsi e k masisi facebook* - Mar 06 2022

web mokgweetsi e k masisi march 29 2019 i ve just met his grace dr barnabas edward lekganyane bishop of the zcc zion

christian church who paid a courtesy call to my office this morning i m truly delighted at the relationship

**mount rainer national park visitor s companion by george** - Sep 25 2021

web mount rainer national park visitor s companion by george wuerthner mount rainer national park visitor s companion by george wuerthner tin can camper updateswax a novel about women in the 1940s assisted living in washington wa assisted living facilities 1 day mt rainier tour from seattle taketours backcountry ski course on mt rainier rmi

mount rainier national park wikipedia - Jan 10 2023

web mount rainier national park is an american national park located in southeast pierce county and northeast lewis county in washington state the mountain rises abruptly from the surrounding land with elevations in the park

mount rainer national park visitor s companion - Jan 30 2022

web america s most dangerous hikes death in mount rainier national park gathers some of the most dramatic stories of the more than 400 deaths that have occurred in the park s history mount rainier national park washington 2000 youth s

companion 1921 report of the director of the national park service to the secretary of the

complete a mount rainier junior ranger booklet u s national park service - Jul 04 2022

web nov 8 2022 start your visit to mount rainier national park with a junior ranger activity booklet the motto of the junior ranger program is to explore learn and protect you can take the book on a hike puzzle over it at the picnic area or doodle in it while around the campsite after the booklet is completed bring it to a visitor center and talk over

mount rainer national park visitor s companion pdf 2023 - Nov 27 2021

web mount rainer national park visitor s companion pdf is available in our digital library an online access to it is set as public so you can download it instantly

**mount rainer national park visitor s companion** - Dec 29 2021

web 2 mount rainer national park visitor s companion 2023 05 07 reviews national park service plans for facilities construction in mt rainier national park and olympic national park

**travel guide to washington s mount rainier national park and mount** - Apr 13 2023

web sep 23 2019 everything to know about mount rainier national park a snowcapped backdrop to seattle and puget sound mount rainier is a slumbering giant that last erupted in the 1890s by national geographic

mount rainier a visitor s companion national park visitor s - Aug 17 2023

web feb 1 2000 mount rainier a visitor s companion is possibly the most useful and informative book on mt rainier i ve found the book will enable you to identify any of the plant or animal life you ll encounter in the park

mount rainer national park visitor s companion by george - May 02 2022

web mount rainer national park visitor s companion by george wuerthner because washington state s north cascades is one

of the least visited national parks in the u s in fact in 2018 north cascades national park saw just over 30 000 visitors while **mount rainier national park washington s national park fund** - Aug 05 2022

web planning a park visit home to washington s tallest mountain extending 14 410 feet above sea level mount rainier national park offers plenty of options for recreation whatever strikes your fancy camping hiking fishing biking sight seeing animal viewing and more you ll find it here

*mount rainier national park u s national park service* - Mar 12 2023

web aug 21 2023 an active volcano mount rainier is the most glaciated peak in the contiguous u s a spawning five major rivers subalpine wildflower meadows ring the icy volcano while ancient forest cloaks mount rainier s lower slopes wildlife abounds in the park s ecosystems a lifetime of discovery awaits

**mount rainer national parks visitor s companions national park** - Oct 07 2022

web buy mount rainer national parks visitor s companions national park visitor s companion by wuerthner george moore douglas w isbn 9780811728560 from amazon s book store everyday low prices and free delivery on eligible orders

**mount rainer national park visitor s companion paperback** - Jun 03 2022

web mount rainer national park visitor s companion wuerthner george moore douglas w amazon in books

[mount rainier ulusal parkı wikipedi](#) - Sep 06 2022

web mount rainier ulusal parkı kuzey batı amerika birleşik devletleri nde washington eyaletinde tacoma şehri yakınlarında bulunan mount rainer dağı ve etrafında 956 6 km<sup>2</sup> yüzölçümü kaplayan abd ulusal park hizmeti tarafından idare edilen bir millî park tır mount rainier dağı nın bulunduğu bölgede insanlar 8000 yıldır

**ten tips for visiting mount rainier national park** - Jun 15 2023

web may 3 2023 mount rainier is a wilderness park filled with natural wonders and potential hazards with over 275 miles of trails there is a range of options to choose from with varying lengths and difficulty pick the right trail for you and your group recognize your abilities and the abilities of your group

*mt rainier visitor centers visit rainier* - Feb 11 2023

web discover packwood s visitor center nestled near mount rainier national park and surrounded by stunning peaks get updates maps and friendly guidance for your outdoor adventures open daily from 9 am to 4 pm during the summer season

**mount rainier a visitor s companion national park visitor s** - Feb 28 2022

web mount rainier a visitor s companion national park visitor s companions paperback february 1 2000 on amazon com free shipping on qualifying offers mount rainier a visitor s companion national park visitor s companions paperback february 1 2000

*mount rainer national park visitor s companion united states* - Oct 27 2021

web just invest little era to gain access to this on line message mount rainer national park visitor s companion as capably as evaluation them wherever you are now the youth s companion 1916 includes songs for solo voice with piano accompaniment fodor s national parks of the west fodor s travel publications inc staff 1994

[plan your visit mount rainier national park u s national park service](#) - Jul 16 2023

web plan your visit five scenes of mount rainier national park left to right temperate rain forest historic building old growth forest subalpine meadow and the mountain at sunrise nps photos places to go mount rainier has five developed areas longmire paradise ohanapecosh sunrise and carbon river mowich

*mount rainer national park visitor s companion by george* - Apr 01 2022

web jun 16 2023 mount rainer national park visitor s companion by george wuerthner mt rainier became the nation s fifth national park in 1899 some twenty nine years after it was first climbed mt rainier national

**annual visitation mount rainier national park u s national park** - May 14 2023

web jan 23 2023 mount rainier national park washington info alerts maps calendar fees loading alerts alerts in effect dismiss learn more about national park service visitation last updated january 23 2023 park footer contact info mailing address 55210 238th avenue east ashford wa 98304 phone 360 569 2211 contact us

**the best mount rainier national park visitor centers tripadvisor** - Nov 08 2022

web top mount rainier national park visitor centers see reviews and photos of visitor centers in mount rainier national park washington on tripadvisor

**why everyone should visit mount rainier national park at** - Dec 09 2022

web sep 21 2021 mount rainier is a pacific coast gem of a national park and visitors don t need to summit its mountain peak in order to appreciate its beauty its common knowledge that the pacific northwest is wet very wet fittingly it is also home to mount rainer national park that includes all of mount rainier an imposing stratovolcano

**building construction costs with rsmeans data buildops** - Jul 02 2022

web oct 31 2022 the data contained in this book is meticulously assembled by industry leading teams of cost researchers project engineers and data scientists this

**how to estimate with rsmeans data basic skills for building** - Jan 08 2023

web aug 6 2018 rsmeans is a database of current construction cost estimates rsmeans includes data for nearly every facet of a construction project including materials labor

[2023 building construction costs book with rsmeans](#) - May 12 2023

web nov 2 2021 gordian s 2022 rsmeans data reveals more than 93 of all material equipment and labor costs have significantly changed over the last 12 months gordian

**rsmeans construction unit cost database for** - Mar 10 2023

web description a practical hands on guide to real world construction estimating how to estimate with rsmeans data is the only instructional book on construction cost

**rsmeans data construction cost estimating software** - Oct 17 2023

web rsmeans data online provides cloud based access to the industry s leading construction cost database and advanced features like square foot costs and predictive cost data automatic quarterly updates ensure you always have access to the most current data

**building construction costs with rsmeans data 2023** - Apr 30 2022

web jun 27 2018 for example diaz et al 29 assessed the usefulness and limits of rsmeans a commercial cost reference published by gordian in thorough cost estimate for

*square foot costs rsmeans com* - Jun 01 2022

web the construction cost insights report produced in partnership with building design construction uses gordian s rsmeans data construction costs and internal

*gordian releases 2022 rsmeans data construction costs* - Apr 11 2023

web a dynamic collection of data points actively monitored by experienced cost engineers rsmeans data is used by construction professionals to create budgets estimate

**rsmeans data north america s leading construction** - Feb 09 2023

web that s why gordian has added special covid 19 line items and modifiers to our 2021 rsmeans data release available in rsmeans data online and in select book titles

**rsmeans estimating what is it how to use it proest** - Nov 06 2022

web oct 18 2018 christopher provides an overview of the most common types of cost data as well as the most common units of measurement and estimating terms learn how to look

**2020 rsmeans data cost book updates** - Nov 25 2021

*2023 heavy construction costs book with rsmeans data* - Jun 13 2023

web brought to you by gordian rsmeans data provides accurate and up to date construction estimating cost data that helps owners architects cost engineers contractors and

*gordian releases 2023 rsmeans data construction costs* - Oct 05 2022

web nov 6 2023 building construction costs with rsmeans data by rsmeans editor call number apl reference th435 b84 2019 this data set is aimed primarily at estimating

[2022 building construction costs rsmeans](#) - Aug 15 2023

web with rsmeans data comprehensive collection of commercial new construction costs the 80th edition of this cost book provides data for project types ranging from industrial and

[rsmeans online](#) - Sep 16 2023

web we continue to grow and update our construction cost database of over 85 000 unit prices 25 000 building assemblies and 42 000 facilities repair and remodeling costs

**construction estimating rsmeans and cost data linkedin** - Sep 04 2022

web rsmeans is a widely used cost estimating information resource for construction projects of all sizes it provides accurate up to date building construction costs for over 100

**2023 rsmeans data cost book updates** - Dec 27 2021

**architecture rs means cost data university at buffalo** - Aug 03 2022

web rsmeans data from gordian construction publishers consultants 30 patewood dr suite 350 greenville sc 29615 united states of america 1 800 448 8182 costs with

[rs means definition law insider](#) - Jan 28 2022

web the actual july 2020 historical index 234 6 the actual october 2020 historical index 235 5 2020 construction project costs per square foot the 2020 project costs are

*what s new in the 2021 rsmeans data construction cost database* - Dec 07 2022

web dec 5 2022 gordian found that the average increase was 19 5 higher than 2021 with some costs continuing to fluctuate dramatically from quarter to quarter increases have

**construction cost insights report q3 2023 gordian** - Mar 30 2022

web define rs means means square foot costs kingston ma rs means this publication provides square foot costs for 100 structures and for thousands of modifications that can

[a closer look at 2022 construction cost changes rsmeans](#) - Jul 14 2023

web brought to you by gordian rsmeans data provides accurate and up to date construction estimating cost data that helps owners architects cost engineers contractors and

[pdf rsmeans guided approach to detailed cost estimating a](#) - Feb 26 2022

web with your 2023 rsmeans data cost book you have access to the most reliable construction cost estimating data available improve efficiency and accuracy by taking