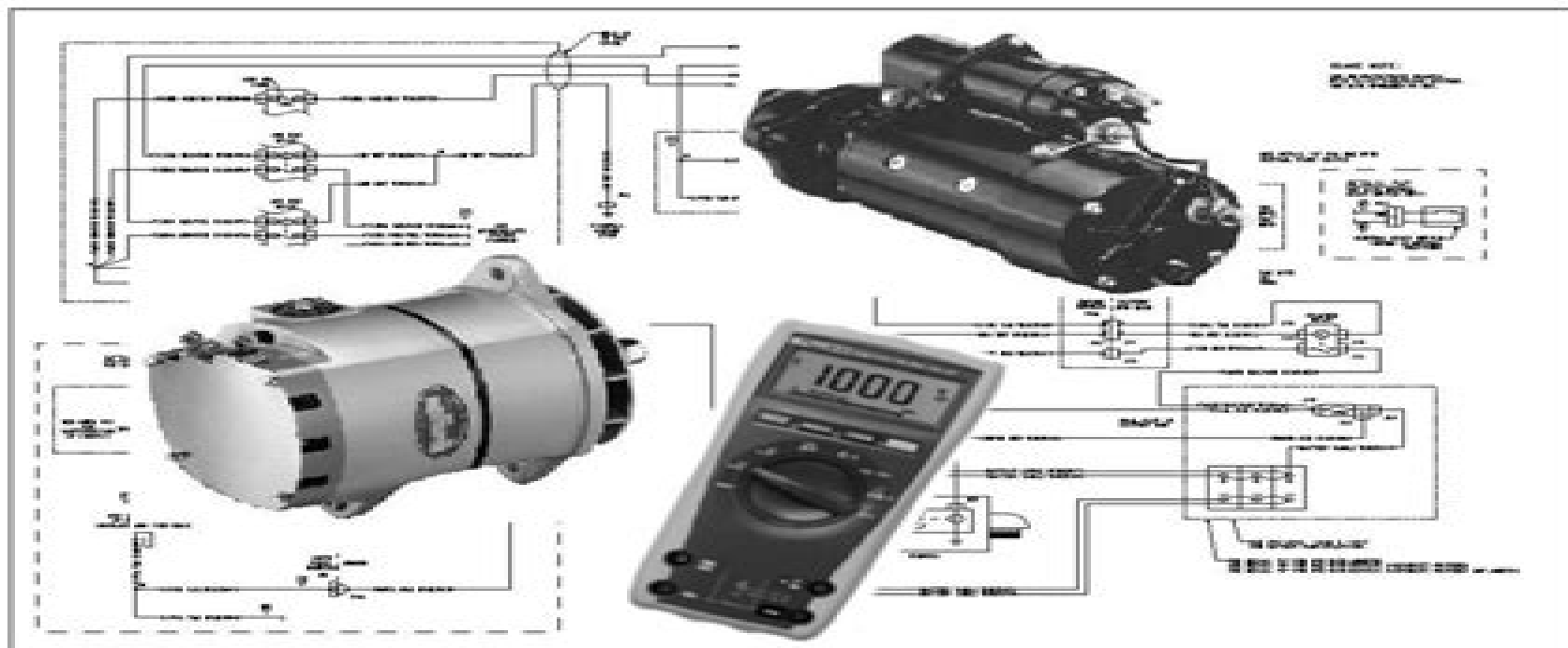


Departamento	Atención al Cliente
Categoría	Manual de Servicio
Sección	Sistema Eléctrico
Título	Sistema Eléctrico
Número	KM815001
Fecha	06/18/03
Modelo	Todos
Página	1 de 70

MANUAL DE SERVICIO

Sistema Eléctrico



Contenido

Teoría de Operación	3
Generación de Electricidad	3
Voltaje, Corriente, Resistencia	4
Tipos de Circuitos	4
Fallas del Sistema Eléctrico	6
Herramientas para Localización de Fallas	8
Diagramas de Cableado	8

Marcadores	8
Luz de Prueba	12
Hidrómetro	12
Diagnóstico / Prueba	14
Plan Sistemático	14
Análisis de Puntos en Común	14
Prueba de Substitución	14
Pruebas de Voltaje	14
Prueba de Circuito Abierto	17

Manual Electrico Kenworth T800

H Kauffman



Manual Electrico Kenworth T800:

Yeah, reviewing a book **Manual Electrico Kenworth T800** could grow your close links listings. This is just one of the solutions for you to be successful. As understood, feat does not recommend that you have wonderful points.

Comprehending as skillfully as treaty even more than other will find the money for each success. next to, the proclamation as well as perception of this Manual Electrico Kenworth T800 can be taken as without difficulty as picked to act.

<https://www.splashdogs.com/files/Resources/default.aspx/forever%20fredless%20english%20edition.pdf>

Table of Contents Manual Electrico Kenworth T800

1. Understanding the eBook Manual Electrico Kenworth T800
 - The Rise of Digital Reading Manual Electrico Kenworth T800
 - Advantages of eBooks Over Traditional Books
2. Identifying Manual Electrico Kenworth T800
 - Exploring Different Genres
 - Considering Fiction vs. Non-Fiction
 - Determining Your Reading Goals
3. Choosing the Right eBook Platform
 - Popular eBook Platforms
 - Features to Look for in an Manual Electrico Kenworth T800
 - User-Friendly Interface
4. Exploring eBook Recommendations from Manual Electrico Kenworth T800
 - Personalized Recommendations
 - Manual Electrico Kenworth T800 User Reviews and Ratings
 - Manual Electrico Kenworth T800 and Bestseller Lists
5. Accessing Manual Electrico Kenworth T800 Free and Paid eBooks
 - Manual Electrico Kenworth T800 Public Domain eBooks
 - Manual Electrico Kenworth T800 eBook Subscription Services

- Manual Electrico Kenworth T800 Budget-Friendly Options
- 6. Navigating Manual Electrico Kenworth T800 eBook Formats
 - ePub, PDF, MOBI, and More
 - Manual Electrico Kenworth T800 Compatibility with Devices
 - Manual Electrico Kenworth T800 Enhanced eBook Features
- 7. Enhancing Your Reading Experience
 - Adjustable Fonts and Text Sizes of Manual Electrico Kenworth T800
 - Highlighting and Note-Taking Manual Electrico Kenworth T800
 - Interactive Elements Manual Electrico Kenworth T800
- 8. Staying Engaged with Manual Electrico Kenworth T800
 - Joining Online Reading Communities
 - Participating in Virtual Book Clubs
 - Following Authors and Publishers Manual Electrico Kenworth T800
- 9. Balancing eBooks and Physical Books Manual Electrico Kenworth T800
 - Benefits of a Digital Library
 - Creating a Diverse Reading Collection Manual Electrico Kenworth T800
- 10. Overcoming Reading Challenges
 - Dealing with Digital Eye Strain
 - Minimizing Distractions
 - Managing Screen Time
- 11. Cultivating a Reading Routine Manual Electrico Kenworth T800
 - Setting Reading Goals Manual Electrico Kenworth T800
 - Carving Out Dedicated Reading Time
- 12. Sourcing Reliable Information of Manual Electrico Kenworth T800
 - Fact-Checking eBook Content of Manual Electrico Kenworth T800
 - Distinguishing Credible Sources
- 13. Promoting Lifelong Learning
 - Utilizing eBooks for Skill Development
 - Exploring Educational eBooks
- 14. Embracing eBook Trends

- Integration of Multimedia Elements
- Interactive and Gamified eBooks

Manual Electrico Kenworth T800 Introduction

In the digital age, access to information has become easier than ever before. The ability to download Manual Electrico Kenworth T800 has revolutionized the way we consume written content. Whether you are a student looking for course material, an avid reader searching for your next favorite book, or a professional seeking research papers, the option to download Manual Electrico Kenworth T800 has opened up a world of possibilities. Downloading Manual Electrico Kenworth T800 provides numerous advantages over physical copies of books and documents. Firstly, it is incredibly convenient. Gone are the days of carrying around heavy textbooks or bulky folders filled with papers. With the click of a button, you can gain immediate access to valuable resources on any device. This convenience allows for efficient studying, researching, and reading on the go. Moreover, the cost-effective nature of downloading Manual Electrico Kenworth T800 has democratized knowledge. Traditional books and academic journals can be expensive, making it difficult for individuals with limited financial resources to access information. By offering free PDF downloads, publishers and authors are enabling a wider audience to benefit from their work. This inclusivity promotes equal opportunities for learning and personal growth. There are numerous websites and platforms where individuals can download Manual Electrico Kenworth T800. These websites range from academic databases offering research papers and journals to online libraries with an expansive collection of books from various genres. Many authors and publishers also upload their work to specific websites, granting readers access to their content without any charge. These platforms not only provide access to existing literature but also serve as an excellent platform for undiscovered authors to share their work with the world. However, it is essential to be cautious while downloading Manual Electrico Kenworth T800. Some websites may offer pirated or illegally obtained copies of copyrighted material. Engaging in such activities not only violates copyright laws but also undermines the efforts of authors, publishers, and researchers. To ensure ethical downloading, it is advisable to utilize reputable websites that prioritize the legal distribution of content. When downloading Manual Electrico Kenworth T800, users should also consider the potential security risks associated with online platforms. Malicious actors may exploit vulnerabilities in unprotected websites to distribute malware or steal personal information. To protect themselves, individuals should ensure their devices have reliable antivirus software installed and validate the legitimacy of the websites they are downloading from. In conclusion, the ability to download Manual Electrico Kenworth T800 has transformed the way we access information. With the convenience, cost-effectiveness, and accessibility it offers, free PDF downloads have become a popular choice for students, researchers, and book lovers worldwide. However, it is crucial to engage in ethical downloading practices and prioritize personal security

when utilizing online platforms. By doing so, individuals can make the most of the vast array of free PDF resources available and embark on a journey of continuous learning and intellectual growth.

FAQs About Manual Electrico Kenworth T800 Books

1. Where can I buy Manual Electrico Kenworth T800 books? Bookstores: Physical bookstores like Barnes & Noble, Waterstones, and independent local stores. Online Retailers: Amazon, Book Depository, and various online bookstores offer a wide range of books in physical and digital formats.
2. What are the different book formats available? Hardcover: Sturdy and durable, usually more expensive. Paperback: Cheaper, lighter, and more portable than hardcovers. E-books: Digital books available for e-readers like Kindle or software like Apple Books, Kindle, and Google Play Books.
3. How do I choose a Manual Electrico Kenworth T800 book to read? Genres: Consider the genre you enjoy (fiction, non-fiction, mystery, sci-fi, etc.). Recommendations: Ask friends, join book clubs, or explore online reviews and recommendations. Author: If you like a particular author, you might enjoy more of their work.
4. How do I take care of Manual Electrico Kenworth T800 books? Storage: Keep them away from direct sunlight and in a dry environment. Handling: Avoid folding pages, use bookmarks, and handle them with clean hands. Cleaning: Gently dust the covers and pages occasionally.
5. Can I borrow books without buying them? Public Libraries: Local libraries offer a wide range of books for borrowing. Book Swaps: Community book exchanges or online platforms where people exchange books.
6. How can I track my reading progress or manage my book collection? Book Tracking Apps: Goodreads, LibraryThing, and Book Catalogue are popular apps for tracking your reading progress and managing book collections. Spreadsheets: You can create your own spreadsheet to track books read, ratings, and other details.
7. What are Manual Electrico Kenworth T800 audiobooks, and where can I find them? Audiobooks: Audio recordings of books, perfect for listening while commuting or multitasking. Platforms: Audible, LibriVox, and Google Play Books offer a wide selection of audiobooks.
8. How do I support authors or the book industry? Buy Books: Purchase books from authors or independent bookstores. Reviews: Leave reviews on platforms like Goodreads or Amazon. Promotion: Share your favorite books on social media or recommend them to friends.
9. Are there book clubs or reading communities I can join? Local Clubs: Check for local book clubs in libraries or

community centers. Online Communities: Platforms like Goodreads have virtual book clubs and discussion groups.

10. Can I read Manual Electrico Kenworth T800 books for free? Public Domain Books: Many classic books are available for free as they're in the public domain. Free E-books: Some websites offer free e-books legally, like Project Gutenberg or Open Library.

Find Manual Electrico Kenworth T800 :

~~forever fredless english edition~~

[ford windstar repair manual electrical fuse box](#)

~~form constancy in the kitchen~~

[forge discussion guide answers](#)

form five selection 2015

[forensic chemistry solutions manual bell](#)

forgive me if i ve told you this before

forrest gump film study questions and answers

[ford workshop manual falcon el 5 0](#)

fort hare application forms of 2015

ford transit 1986

form national exams papers 22

[ford tractor 1700 service manual](#)

[ford truck fuse diagram](#)

~~foreign policy guided reading chapter 17 cold war thaws answers~~

Manual Electrico Kenworth T800 :

mein graffiti sketchbook a4 blanko skizzenbuch mit 120 seiten - Apr 11 2023

web may 16 2023 *mein graffiti sketchbook a4 blanko skizzenbuch mit 120 seiten für 120 graffiti pieces ideales geschenk für einen künstler von graffiti notizbücher publishing 3 juli 2019 5 0 von 5 sternen 4 taschenbuch*

mein graffiti sketchbook a4 blanko skizzenbuch mit 120 seiten - Jan 28 2022

web aug 18 2023 *mein graffiti sketchbook a4 blanko skizzenbuch mit 120 seiten für 120 graffiti pieces ideales geschenk für einen künstler by graffiti notizbücher publishing montana blackbook portrait skizzenbuch sketchbook perfect ideaz din a4*

skizzen buch 96 seiten 48 blatt

[mein graffiti sketchbook a4 blanko skizzenbuch mi](#) - Dec 07 2022

web graffiti sketchbook a4 blanko skizzenbuch mi it is entirely easy then in the past currently we extend the link to purchase and make bargains to download and install mein graffiti

mein graffiti sketchbook a4 blanko skizzenbuch mi pdf - Nov 06 2022

web like some harmful virus inside their computer mein graffiti sketchbook a4 blanko skizzenbuch mi is available in our digital library an online entry to it is set as public therefore you can download it instantly

[mein graffiti sketchbook a4 blanko skizzenbuch mit 120 seiten](#) - Apr 30 2022

web blanko graffiti skizzenbuch mein graffiti sketchbook a4 blanko skizzenbuch mit 120 stylefile marker classic sketchbook skizzenbuch din a4 derwent 2301607 skizzenbuch din a4 mit 86 seiten xroel skizzenbücher kaufen skizzenbuch günstig bestellen sketchbooks amp skizzenbücher günstig online

[mein graffiti skizzenbuch großes blanko sketchbook für](#) - Jun 13 2023

web mein graffiti skizzenbuch großes blanko sketchbook für sprayer und andere künstler zeichenbuch blacky dan amazon de bücher bücher film kunst kultur medien neu 7 99 preisangaben inkl ust abhängig von der lieferadresse kann die ust an der kasse variieren weitere informationen gratis lieferung dienstags 25 april

mein graffiti sketchbook a4 blanko skizzenbuch mit 120 seiten - Feb 26 2022

web mein graffiti sketchbook a4 blanko skizzenbuch mit 120 seiten für 120 graffiti pieces ideales geschenk für einen künstler by graffiti notizbücher publishing april 20th 2020 weitere produktinformationen zu stylefile marker premium skizzenbuch din a4 vertikal oft ist eine zeichnung nur so gut wie das papier auf das man malt und

mein graffiti sketchbook a4 blanko skizzenbuch mit 120 seiten - Dec 27 2021

web jun 15 2023 mein graffiti sketchbook a4 blanko skizzenbuch mit 120 seiten für 120 graffiti pieces ideales geschenk für einen künstler by graffiti notizbücher publishing besten produkte marken sketchbook günstig kaufen ebay

[mein graffiti sketchbook a4 blanko skizzenbuch mi copy](#) - Sep 04 2022

web right here we have countless books mein graffiti sketchbook a4 blanko skizzenbuch mi and collections to check out we additionally find the money for variant types and afterward type of the books to browse

mein graffiti skizzenbuch großes blanko sketchbook zum - Aug 15 2023

web mein graffiti skizzenbuch großes blanko sketchbook zum selbstgestalten street art blacky dan amazon com tr kitap

[mein graffiti sketchbook a4 blanko skizzenbuch mit 120 seiten](#) - May 12 2023

web graffiti sketchbook a4 blanko skizzenbuch mit 120 boesner skizzenbuch boesner graffiti buch kinder das beste aus 2020 ranking papier a4 perforiert blanko test testsieger die besten online lesen zeichenbuch a4 skizzenbuch sketchbook arteza

hardcover

mein graffiti sketchbook a4 blanko skizzenbuch mit 120 seiten - Jul 02 2022

web jun 20 2023 *mein graffiti sketchbook a4 blanko skizzenbuch mit 120 seiten für 120 graffiti pieces ideales geschenk für einen künstler by graffiti notizbücher publishing skizzenbuch mit durchsichtigem*

mein graffiti sketchbook a4 blanko skizzenbuch mi fiona - Aug 03 2022

web kindly say the *mein graffiti sketchbook a4 blanko skizzenbuch mi* is universally compatible with any devices to read prince of the prism earl f crago 2013 02 22 prince of the prism for millennia mankind stripped earth of its precious minerals and rain forests leaving it a dry desolate uninhabitable place deep below the

mein graffiti sketchbook a4 blanko skizzenbuch mi pdf pdf - Oct 05 2022

web *mein graffiti sketchbook a4 blanko skizzenbuch mi pdf* pages 2 20 *mein graffiti sketchbook a4 blanko skizzenbuch mi pdf* upload mita k hayda 2 20 downloaded from devy ortax org on september 7 2023 by mita k hayda effectively by understanding planning and implementing essential concepts of leadership and strategy you will

graffiti sketchbook graffiti skizzenbuch din a4 blanko sketchbook - Mar 10 2023

web graffiti sketchbook graffiti skizzenbuch din a4 blanko sketchbook mit 108 seiten für sprayer zum selbstgestalten von graffiti pieces ideales geschenk für einen künstler v sprayer skizzenbuch graffiti sketchbook amazon de bücher

mein graffiti sketchbook a4 blanko skizzenbuch mi pdf - Jan 08 2023

web may 29 2023 the publication *mein graffiti sketchbook a4 blanko skizzenbuch mi* that you are looking for it will unquestionably squander the time however below similar to you visit this web page it will be so extremely easy to acquire as without difficulty as download guide *mein graffiti sketchbook a4 blanko skizzenbuch mi*

mein graffiti sketchbook a4 blanko skizzenbuch mit 120 seiten - Jul 14 2023

web *mein graffiti sketchbook a4 blanko skizzenbuch mit 120 seiten für 120 graffiti pieces ideales geschenk für einen künstler publishing graffiti notizbücher amazon de bücher*

mein graffiti sketchbook a4 blanko skizzenbuch mi - Jun 01 2022

web *mein graffiti sketchbook a4 blanko skizzenbuch mi* downloaded from old cosmc org by guest rhodes parsons junior theory level 1 hispanic studies culture and ideas batchelder honor book recipient sonja danowski takes us on a journey into a beautiful mysterious world where cooperation and generosity save the day and friendships make it

amazon com graffiti sketchbook - Feb 09 2023

web blackbook graffiti sketchbook notebook for drawing painting sketching or doodling 118 pages white blank and brick textured 8 5 x 11 inches by 187 designz 3 5 out of 5 stars 3 paperback 7 99 7 99 free delivery sat sep 16 on 25 of items shipped by amazon or fastest delivery fri sep 15

graffiti skizzenbuch din a4 blanko sketchbook mit 108 seiten - Mar 30 2022

web graffiti skizzenbuch din a4 blanko sketchbook mit 108 seiten für sprayer zum selbstgestalten ideales geschenk für einen künstler school graffiti amazon de bücher

rentrées des classes ecole de brive by michel peyramaure - Sep 03 2022

web jun 25 2023 chanson c est la rentre des classes d anny et jean marc 139 meilleures images du tableau initiales pinterest de allocation de rentre scolaire ars service public

rentrées des classes by ecole de brive bespoke cityam - Oct 24 2021

web apr 28 2023 septembre 2019 pour toutes les villes de france des zones a b et c dans toutes les écoles tous les collèges et les lycées le jour de reprise est le même pour la

rentrées des classes by ecole de brive lia erc gov - Mar 29 2022

web rentrées des classes by ecole de brive maternelle primaire collège et lycée ces jours sont les mêmes dans les zones a b et c le point sur le calendrier de l année à venir et

burs başvurusu rıdeva rize dernekler ve vakıflar birliđi vakfi - Dec 06 2022

web oct 5 2021 rıdeva rize dernekler ve vakıflar birliđi vakfi ve rıdef rize dernekler federasyonu burs başvurusu 2022 2023 dönemde toplam 200 Öğrenciye burs ve

rentrées des classes ecole de brive by michel peyramaure - May 31 2022

web les 17 meilleures images de rentre en 2020 rentre des allocation de rentre scolaire que faire si vous ne l rentre bout de gomme les 298 meilleures images de rentre des

rentra c es des classes ecole de brive download only vpn - Jan 07 2023

web rentra c es des classes ecole de brive 3 3 panies looking for new planning approach es nouvelle collection des mémoires pour servir À l histoire de france lu lu com the

rentrées des classes by ecole de brive - May 11 2023

web rentrées des classes by ecole de brive rentrées des classes by ecole de brive le premier retour de pern charisme et mobilisation les 44 meilleures images de rentre

rentrées des classes by ecole de brive lp docseducation - Dec 26 2021

web pour l année scolaire 2020 2021 la rentrée des classes est fixée au lundi 31 août 2020 pour les enseignants et au mardi 1er septembre 2020 pour les élèves de maternelle primaire

free rentra c es des classes ecole de brive - Nov 05 2022

web rentra c es des classes ecole de brive de du des les articles dfinis indefinis et partitifs parlez nov 26 2022 web nov 24 2021 les articles indefinis un une des quand il y a un

[rentrées des classes by ecole de brive online popcom gov](#) - Sep 22 2021

web rentrées des classes by ecole de brive is at hand in our book compilation an online access to it is set as public so you can get it instantaneously online popcom gov ph 2 6

[rentrées des classes by ecole de brive](#) - Jun 12 2023

web rentrée des classes est fixée au lundi 31 août 2020 pour les enseignants et au mardi 1er septembre 2020 pour les élèves de maternelle primaire collège et lycée

[rentrées des classes by ecole de brive](#) - Jul 13 2023

web rentrées des classes by ecole de brive rentrées des classes by ecole de brive the propositions in french colanguage la rente des classes en espagnol traduction la

[rize Öğretmenevi 2023 fiyatları telefon ve adres bilgileri](#) - Jul 01 2022

web rize Öğretmenevi rize ili 1 adresinde yer alan 1 oda ve 1 yatak kapasiteli bir işletmedir rize Öğretmenevi bütün odalarında merkezi ısıtma ve soğutma sistemine sahiptir

rentrées des classes by ecole de brive lia erc gov - Feb 25 2022

web may 26 2023 to acquire and install the rentrées des classes by ecole de brive it is completely basic then currently we extend the associate to buy and create bargains to

[rize İli 2020 2021 eğitim Öğretim yılı Ücretli Öğretmenlik](#) - Feb 08 2023

web millî eğitim bakanlığı rize İl millî eğitim müdürlüğü

[rentrées des classes by ecole de brive](#) - Apr 29 2022

web rentrées des classes by ecole de brive rentrées des classes by ecole de brive le novelliste university of florida le premier retour de pern charisme et mobilisation 100

rezervasyon trabzon Öğretmenevi - Aug 02 2022

web konaklama giriş 14 00 konaklama Çikiş 11 00 rezervasyon İptal Şartları konaklama tarihinden 5 gün öncesine kadar konaklama rezervasyonlarını

rentra c es des classes ecole de brive 2022 careersatdot - Mar 09 2023

web rentra c es des classes ecole de brive downloaded from careersatdot com by guest jaquan valentine the code of federal regulations of the united states of

[rentrées des classes by ecole de brive](#) - Nov 24 2021

web may 3rd 2020 c est la rentrée des classes refrain c est la rentrée des classes toute l école est en fête c est la rentrée des classes pour tous les enfants c est la fête

rentrées des classes ecole de brive by michel peyramaure - Apr 10 2023

web la rentre 2020 les 298 meilleures images de rentre des classes en 2020 chanson c est la rentre des classes d anny et jean marc les 42 meilleures images de coloriages

[rentra c es des classes ecole de brive pdf uniport edu](#) - Aug 14 2023

web jun 15 2023 this rentra c es des classes ecole de brive as one of the most working sellers here will extremely be in the course of the best options to review annuaire de

rentrées des classes by ecole de brive housing gov mv - Jan 27 2022

web rentrées des classes by ecole de brive rentrées des classes by ecole de brive 04 10 2011 08 15 54pm merci madame repondit elle et elle allocation de rentre scolaire 2020

burs yönetmeliği rabve İlim ve hizmet vakfı - Oct 04 2022

web burs yönetmeliği rabve İlim ve hizmet vakfı rabve İlim ve hıżmet vakfı burs yÖnetmeliĞİ 2023 2024 Öğretim yılı burs başvuru tarihi 4 eylül 9 eylül

[pdf the spiral dance a rebirth of the ancient religion of the great](#) - Jun 13 2023

web in the twentieth century these intellectual currents crossed the boundary between academic interest and actual religious practice and dramatically manifested in a variety of new religions devoted to the revived worship of the goddess including wicca the craft feminist spirituality and ecopaganism hanegraff 1998 85 88

the spiral dance a rebirth of the ancient religion of the great - Jun 01 2022

web the influential masterwork that launched the american goddess movement is even more popular and relevant than ever a bestselling spiritual classic this brilliant overview of the growth supression and modern day reemergence of wicca as a goddess worshipping religion has left an indelible mark on the feminist spiritual consciousness

the spiral dance a rebirth of the ancient religion of the great - Jan 08 2023

web the spiral dance a rebirth of the ancient religion of the great goddess starhawk free download borrow and streaming internet archive by starhawk publication date 1989 topics witchcraft goddess religion california san francisco witchcraft publisher san francisco harper row collection

the spiral dance wikipedia - Aug 15 2023

web the spiral dance a rebirth of the ancient religion of the great goddess is a book about neopagan beliefs and practices written by starhawk it was first published in 1979 with a second edition in 1989 and a third edition in 1999 it is a classic book on wicca modern witchcraft spiritual feminism the goddess movement and ecofeminism

the spiral dance a rebirth of the ancient religion of the - Jul 14 2023

web sep 22 1999 this bestselling classic is both an unparalleled reference on the practices and philosophies of witchcraft and a guide to the life affirming ways in which readers can turn to the goddess to deepen their sense of personal pride

develop their inner power and integrate mind body and spirit

the spiral dance a rebirth of the ancient religion of the - Feb 26 2022

web the spiral dance a rebirth of the ancient religion of the goddess 20th anniversary edition kindle edition by starhawk
author format kindle edition 140 ratings quality issues reported see all formats and editions kindle 0 00 this title and over 1
million more available with kindle unlimited 20 99 to buy paperback

the spiral dance a rebirth of the ancient religion of the - Apr 11 2023

web sep 13 2011 the spiral dance a rebirth of the ancient religion of the goddess 20th anniversary edition kindle edition by
starhawk download it once and read it on your kindle device pc phones or tablets use features like bookmarks note taking
and highlighting while reading the spiral dance a rebirth of the ancient religion of the

the spiral dance a rebirth of the ancient religion of the - Mar 10 2023

web sep 13 2011 the spiral dance a rebirth of the ancient religion of the goddess 10th anniversary edition starhawk harper
collins sep 13 2011 body mind spirit 304 pages 2 reviews reviews

the spiral dance a rebirth of the ancient religion of the great - Aug 03 2022

web the spiral dance a rebirth of the ancient religion of the great goddess explores the growth suppression and modern
reemergence of witchcraft as a religion demystifying a

spiral dance the 20th anniversary a rebirth of the ancient religion - Oct 05 2022

web sep 22 1999 spiral dance the 20th anniversary a rebirth of the ancient religion of the goddess 20th anniversary edition
by starhawk paperback 20th anniversary edition 18 99 paperback 18 99 ebook 14 99 view all available formats editions ship
this item qualifies for free shipping

the spiral dance a rebirth of the ancient religion of the great - May 12 2023

web buy the spiral dance a rebirth of the ancient religion of the great goddess a rebirth of the ancient religion of the goddess
20th anniversary edition special 20th anniversary ed by starhawk isbn 9780062516329 from amazon s book store everyday
low prices and free delivery on eligible orders

the spiral dance a rebirth of the ancient religion of the great - Dec 07 2022

web explores the growth suppression and modern reemergence of witchcraft as a religion demystifying a misunderstood and
maligned tradition and pointing out its relationship to feminism includes bibliographical references pages 214 218

the spiral dance a rebirth of the ancient religion of the great - Jan 28 2022

web the spiral dance a rebirth of the ancient religion of the great goddess amazon com tr kitap

the spiral dance a rebirth of the ancient religion of the great - Jul 02 2022

web the spiral dance a rebirth of the ancient religion of the great goddess starhawk harpersanfrancisco 1999 goddess

religion 326 pages this classic a founding document of modern

[pdf epub the spiral dance a rebirth of the ancient religion](#) - Nov 06 2022

web apr 28 2020 brief summary of book the spiral dance a rebirth of the ancient religion of the great goddess by starhawk

here is a quick description and cover image of book the spiral dance a rebirth of the ancient religion of the great

goddesswritten by starhawkwhich was published in 1979

the spiral dance a rebirth of the ancient religion of - Sep 04 2022

web jan 1 2001 download starhawk s pdf e book the spiral dance a rebirth of the ancient religion of the goddess 20th

anniversary edition genres spirituality nonfiction religion paganism witchcraft wicca feminism

[the spiral dance a rebirth of the ancient religion of the](#) - Dec 27 2021

web the spiral dance a rebirth of the ancient religion of the goddess 20th anniversary edition english edition kindle ausgabe

englisch ausgabe von starhawk autor format kindle ausgabe alle formate und editionen anzeigen kindle 8 99 lies mit

kostenfreier app taschenbuch 12 60 5 gebraucht ab 18 79 10 neu ab 12 60

the spiral dance a rebirth of the ancient religion of the great - Mar 30 2022

web the spiral dance a rebirth of the ancient religion of the great goddess worldcat org author starhawk summary explores

the practices and philosophies of witchcraft and goddess religion print book english 1999 edition 20th anniversary ed with

new introd and chapter by chapter commentary view all formats and editions

[the spiral dance a rebirth of the ancient religion of the great](#) - Apr 30 2022

web the spiral dance a rebirth of the ancient religion of the great goddess starhawk amazon com au books skip to main

content something went wrong please try your request again later find all the books read about the author and more author 5

0 out of 5 stars 43 78 the inspirational sequel to 12 rules for life

[the spiral dance starhawk s website](#) - Feb 09 2023

web the spiral dance special 20th anniversary edition a rebirth of the ancient religion of the goddess by starhawk the

twentieth anniversary edition of the spiral dance celebrates the pivotal role the book has had in bringing goddess worship to