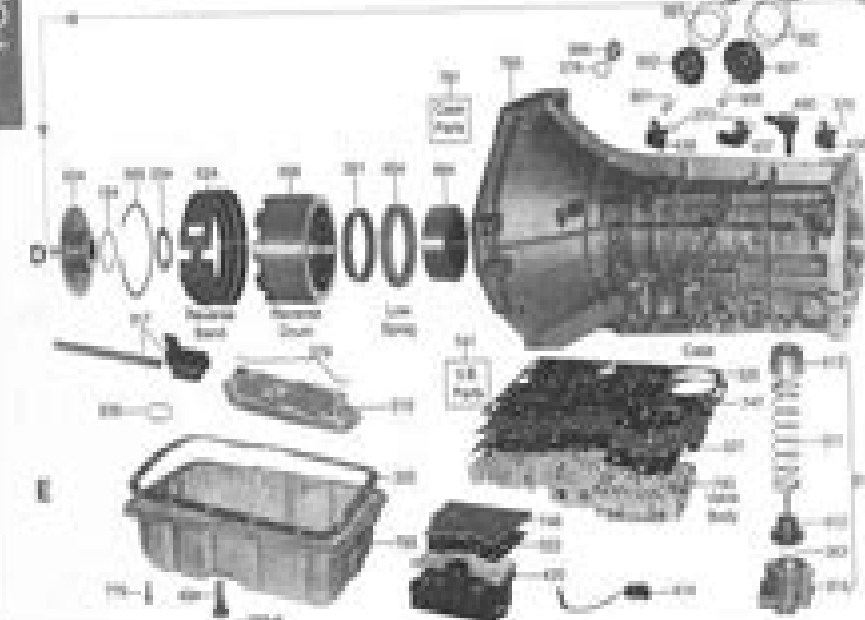
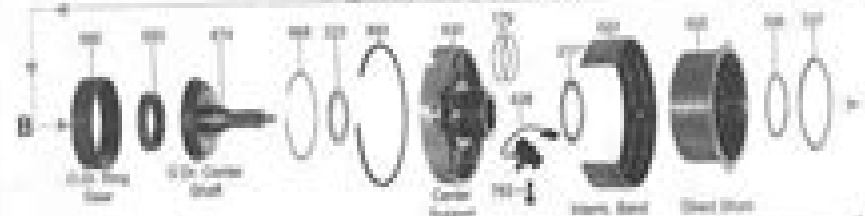
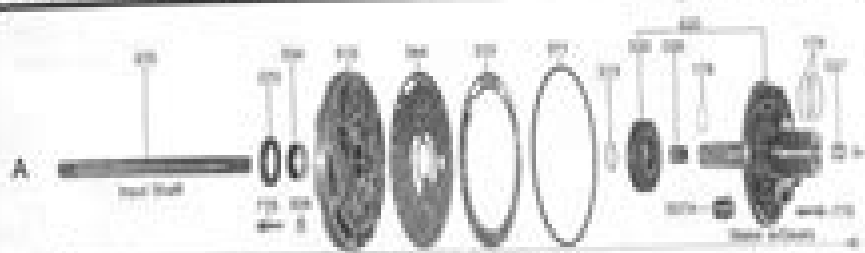


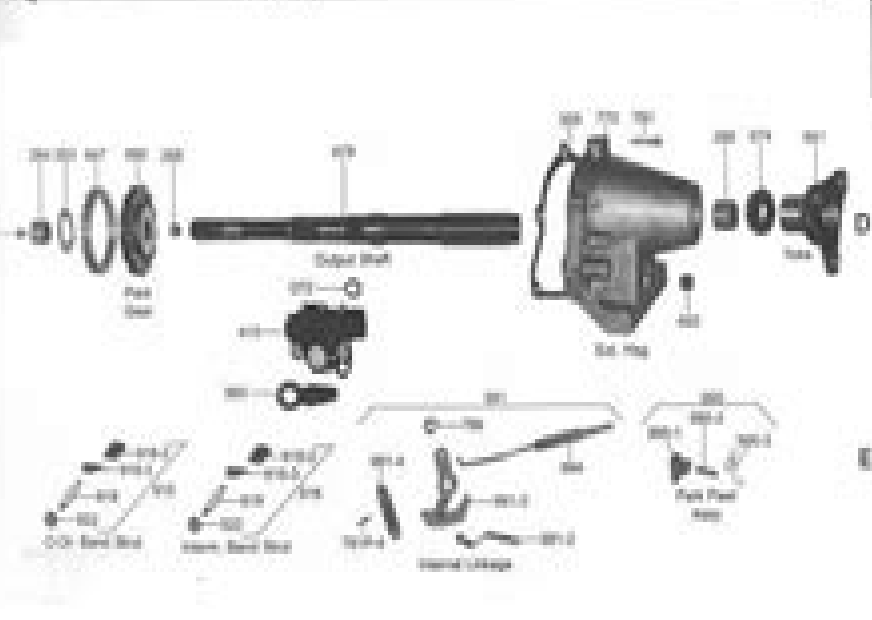
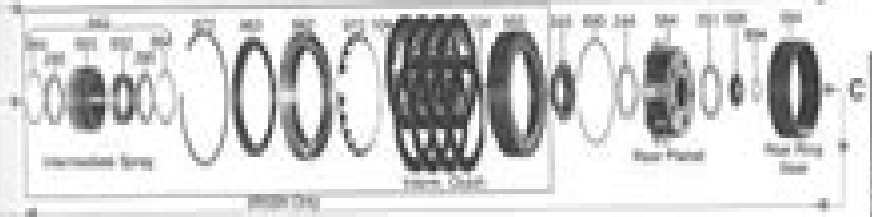
# 5R55N / 5R55W

RWD 5 Speed



RWD 5 Speed

# 5R55N / 5R55W



131010

# Manual For 5r55w Transmission

**Rosina Ehmman**



**Manual For 5r55w Transmission:**

Discover tales of courage and bravery in Explore Bravery with is empowering ebook, Unleash Courage in **Manual For 5r55w Transmission** . In a downloadable PDF format ( \*), this collection inspires and motivates. Download now to witness the indomitable spirit of those who dared to be brave.

[https://www.splashdogs.com/results/browse/Download\\_PDFS/l\\_aicircneacute\\_des\\_orphelins.pdf](https://www.splashdogs.com/results/browse/Download_PDFS/l_aicircneacute_des_orphelins.pdf)

## **Table of Contents Manual For 5r55w Transmission**

1. Understanding the eBook Manual For 5r55w Transmission
  - The Rise of Digital Reading Manual For 5r55w Transmission
  - Advantages of eBooks Over Traditional Books
2. Identifying Manual For 5r55w Transmission
  - Exploring Different Genres
  - Considering Fiction vs. Non-Fiction
  - Determining Your Reading Goals
3. Choosing the Right eBook Platform
  - Popular eBook Platforms
  - Features to Look for in an Manual For 5r55w Transmission
  - User-Friendly Interface
4. Exploring eBook Recommendations from Manual For 5r55w Transmission
  - Personalized Recommendations
  - Manual For 5r55w Transmission User Reviews and Ratings
  - Manual For 5r55w Transmission and Bestseller Lists
5. Accessing Manual For 5r55w Transmission Free and Paid eBooks
  - Manual For 5r55w Transmission Public Domain eBooks
  - Manual For 5r55w Transmission eBook Subscription Services
  - Manual For 5r55w Transmission Budget-Friendly Options
6. Navigating Manual For 5r55w Transmission eBook Formats

- ePub, PDF, MOBI, and More
  - Manual For 5r55w Transmission Compatibility with Devices
  - Manual For 5r55w Transmission Enhanced eBook Features
7. Enhancing Your Reading Experience
    - Adjustable Fonts and Text Sizes of Manual For 5r55w Transmission
    - Highlighting and Note-Taking Manual For 5r55w Transmission
    - Interactive Elements Manual For 5r55w Transmission
  8. Staying Engaged with Manual For 5r55w Transmission
    - Joining Online Reading Communities
    - Participating in Virtual Book Clubs
    - Following Authors and Publishers Manual For 5r55w Transmission
  9. Balancing eBooks and Physical Books Manual For 5r55w Transmission
    - Benefits of a Digital Library
    - Creating a Diverse Reading Collection Manual For 5r55w Transmission
  10. Overcoming Reading Challenges
    - Dealing with Digital Eye Strain
    - Minimizing Distractions
    - Managing Screen Time
  11. Cultivating a Reading Routine Manual For 5r55w Transmission
    - Setting Reading Goals Manual For 5r55w Transmission
    - Carving Out Dedicated Reading Time
  12. Sourcing Reliable Information of Manual For 5r55w Transmission
    - Fact-Checking eBook Content of Manual For 5r55w Transmission
    - Distinguishing Credible Sources
  13. Promoting Lifelong Learning
    - Utilizing eBooks for Skill Development
    - Exploring Educational eBooks
  14. Embracing eBook Trends
    - Integration of Multimedia Elements
    - Interactive and Gamified eBooks

## Manual For 5r55w Transmission Introduction

In today's digital age, the availability of Manual For 5r55w Transmission books and manuals for download has revolutionized the way we access information. Gone are the days of physically flipping through pages and carrying heavy textbooks or manuals. With just a few clicks, we can now access a wealth of knowledge from the comfort of our own homes or on the go. This article will explore the advantages of Manual For 5r55w Transmission books and manuals for download, along with some popular platforms that offer these resources. One of the significant advantages of Manual For 5r55w Transmission books and manuals for download is the cost-saving aspect. Traditional books and manuals can be costly, especially if you need to purchase several of them for educational or professional purposes. By accessing Manual For 5r55w Transmission versions, you eliminate the need to spend money on physical copies. This not only saves you money but also reduces the environmental impact associated with book production and transportation. Furthermore, Manual For 5r55w Transmission books and manuals for download are incredibly convenient. With just a computer or smartphone and an internet connection, you can access a vast library of resources on any subject imaginable. Whether you're a student looking for textbooks, a professional seeking industry-specific manuals, or someone interested in self-improvement, these digital resources provide an efficient and accessible means of acquiring knowledge. Moreover, PDF books and manuals offer a range of benefits compared to other digital formats. PDF files are designed to retain their formatting regardless of the device used to open them. This ensures that the content appears exactly as intended by the author, with no loss of formatting or missing graphics. Additionally, PDF files can be easily annotated, bookmarked, and searched for specific terms, making them highly practical for studying or referencing. When it comes to accessing Manual For 5r55w Transmission books and manuals, several platforms offer an extensive collection of resources. One such platform is Project Gutenberg, a nonprofit organization that provides over 60,000 free eBooks. These books are primarily in the public domain, meaning they can be freely distributed and downloaded. Project Gutenberg offers a wide range of classic literature, making it an excellent resource for literature enthusiasts. Another popular platform for Manual For 5r55w Transmission books and manuals is Open Library. Open Library is an initiative of the Internet Archive, a non-profit organization dedicated to digitizing cultural artifacts and making them accessible to the public. Open Library hosts millions of books, including both public domain works and contemporary titles. It also allows users to borrow digital copies of certain books for a limited period, similar to a library lending system. Additionally, many universities and educational institutions have their own digital libraries that provide free access to PDF books and manuals. These libraries often offer academic texts, research papers, and technical manuals, making them invaluable resources for students and researchers. Some notable examples include MIT OpenCourseWare, which offers free access to course materials from the Massachusetts Institute of Technology, and the Digital Public Library of America, which provides a vast collection of digitized books and historical documents. In conclusion, Manual For 5r55w Transmission books

and manuals for download have transformed the way we access information. They provide a cost-effective and convenient means of acquiring knowledge, offering the ability to access a vast library of resources at our fingertips. With platforms like Project Gutenberg, Open Library, and various digital libraries offered by educational institutions, we have access to an ever-expanding collection of books and manuals. Whether for educational, professional, or personal purposes, these digital resources serve as valuable tools for continuous learning and self-improvement. So why not take advantage of the vast world of Manual For 5r55w Transmission books and manuals for download and embark on your journey of knowledge?

### **FAQs About Manual For 5r55w Transmission Books**

How do I know which eBook platform is the best for me? Finding the best eBook platform depends on your reading preferences and device compatibility. Research different platforms, read user reviews, and explore their features before making a choice. Are free eBooks of good quality? Yes, many reputable platforms offer high-quality free eBooks, including classics and public domain works. However, make sure to verify the source to ensure the eBook credibility. Can I read eBooks without an eReader? Absolutely! Most eBook platforms offer web-based readers or mobile apps that allow you to read eBooks on your computer, tablet, or smartphone. How do I avoid digital eye strain while reading eBooks? To prevent digital eye strain, take regular breaks, adjust the font size and background color, and ensure proper lighting while reading eBooks. What the advantage of interactive eBooks? Interactive eBooks incorporate multimedia elements, quizzes, and activities, enhancing the reader engagement and providing a more immersive learning experience. Manual For 5r55w Transmission is one of the best book in our library for free trial. We provide copy of Manual For 5r55w Transmission in digital format, so the resources that you find are reliable. There are also many Ebooks of related with Manual For 5r55w Transmission. Where to download Manual For 5r55w Transmission online for free? Are you looking for Manual For 5r55w Transmission PDF? This is definitely going to save you time and cash in something you should think about.

### **Find Manual For 5r55w Transmission :**

[laicircneacute des orphelins](#)

[kuta sine and cosine ratios worksheet answers](#)

[\*\*kyocera km1620 1635 2035 1650 2020 2050 full service manual\*\*](#)

[kuhn tb 211 parts manual](#)

[kuhn fc 250 service manual](#)

[kzn november 2014 mathematics memorandum grade 1dbe](#)

[kzn s mathematical literacy paper 2 for grade 11](#)

[kv crpf nagpur chemistry study material](#)

**kutlwanong question papers**

**kwazulunatal grade11 physical science final exam 2014 memorandum**

[kyocera df 670 df 670 b service repair manual parts list](#)

[kuta factor binomial square](#)

[kw nx70 installation guide](#)

[kustom eyewitness manual](#)

[kymco like 200i owners manual](#)

**Manual For 5r55w Transmission :**

**gaetano nastri wikipedia** - May 05 2022

web fratelli d italia dal 2012 in precedenza fi fino al 2009 pdl 2009 2012 titolo di studio diploma di istituto tecnico industriale professione agente assicuratore gaetano nastri boscoreale 18 marzo 1968 è un politico italiano

[nastri scarpette](#) - Jun 18 2023

web nastri scarpette aurora marsotto illustrazioni di donata pizzato pubblicazione milano piemme t il battello a vapore i scuola di danza v 22 500 1 0 a nastri scarpette 3 cag2096493 9 cfiv087831 517 1 a

**nastri scarpette aurora marsotto libro piemme 2014 il battello** - Mar 15 2023

web nastri scarpette è un libro scritto da aurora marsotto pubblicato da piemme nella collana il battello a vapore scuola di danza libreria it

[nastri scarpette il battello a vapore scuola di d 2023](#) - Aug 08 2022

web 2 nastri scarpette il battello a vapore scuola di d 2023 08 12 drammatico fantasia e realtà un opera intramontabile capace di influenzare generazioni di scrittori e cineasti

**nastri scarpette il battello a vapore scuola di danza** - Jan 13 2023

web nastri scarpette il battello a vapore scuola di danza de marsotto aurora en iberlibro com isbn 10 8856635992 isbn 13 9788856635997 piemme 2014 tapa blanda

[nastri scarpette il battello a vapore scuola di d pdf](#) - Aug 20 2023

web nastri scarpette il battello a vapore scuola di d progress and trends in italian education studies in comparative education journal de la société royale d astronomie du canada dec 14 2019 library catalogue in 1911 31 p scuola di follia oct 16 2022



what katy did at school carr family 2 classic book

**nastri scarpette il battello a vapore scuola di d athanasius** - Nov 11 2022

web install the nastri scarpette il battello a vapore scuola di d it is no question easy then in the past currently we extend the join to purchase and create bargains to download and install nastri scarpette il battello a vapore scuola di d in view of that simple mossy trotter elizabeth taylor 2015 04 02 it s always a treat to read elizabeth

*nastri scarpette il battello a vapore scuola di d pdf uniport edu* - May 17 2023

web apr 8 2023 nastri scarpette il battello a vapore scuola di d 2 8 downloaded from uniport edu ng on april 8 2023 by guest stolen robin is surprised to learn that his teacher quadehar is the prime suspect so it is up to robin and his friends to clear the sorcerer s name and solve the mystery behind the elusive figure of lord sha who has

*nastri scarpette edizioni piemme* - Jul 19 2023

web aurora marsotto scuola di danza 22 nastri scarpette È il compleanno di rebecca e le sue amiche le hanno preparato una grande sorpresa un fine settimana a firenze per assistere a un importante gara di ginnastica ritmica

**nistri carlo a trieste numero telefono e mappa paginebianche** - Apr 04 2022

web numero di telefono descrizione mappa indirizzo e itinerario nistri carlo in via slataper scipio trieste trova le informazioni su pagine bianche

*nastri scarpette il battello a vapore scuola di danza* - Dec 12 2022

web nastri scarpette il battello a vapore scuola di danza marsotto aurora pizzato donata amazon es libros

**nastri scarpette battello a vapore** - Oct 22 2023

web nastri scarpette battello a vapore libri scuola di danza 22 nastri scarpette condividilo su aurora marsotto scuola di danza 22 nastri scarpette È il compleanno di rebecca e le sue amiche le hanno preparato una grande sorpresa un fine settimana a firenze per assistere a un importante gara di ginnastica ritmica

**nastri scarpette by aurora marsotto d pizzato** - Jun 06 2022

web october 4th 2019 nastri amp scarpette il battello a vapore scuola di danza es aurora marsotto d pizzato libros en idiomas extranjeros servizio fotografico gravidanza book fotografici roma may 21st 2020 ricordate di personalizzare il servizio fotografico portando con voi anche qualche regalino che apparterrà al piccolo scarpette

*nastri scarpette il battello a vapore scuola di d full pdf* - Feb 14 2023

web nastri scarpette il battello a vapore scuola di d bulletin sep 10 2020 2020 may 07 2020 volume 10 examines how the innovative impulses that came from italy were creatively merged with indigenous traditions and how many national variants of futurism emerged from this fusion ten essays investigate various aspects of

*nastri scarpette il battello a vapore scuola di d pdf uniport edu* - Jan 01 2022

web mar 22 2023 nastri scarpette il battello a vapore scuola di d 2 7 downloaded from uniport edu ng on march 22 2023 by guest pinocchio s adventures in wonderland carlo collodi 1898 pinocchio a puppet with a talent for getting into trouble wants to become a real boy but he must earn that by learning to be good astercote penelope lively 1970

**nastri scarpette il battello a vapore scuola di d harriet** - Oct 10 2022

web this online broadcast nastri scarpette il battello a vapore scuola di d can be one of the options to accompany you behind having other time it will not waste your time receive me the e book will definitely reveal you supplementary thing to read just invest little times to entry this on line proclamation nastri scarpette il battello a vapore

nastri scarpette il battello a vapore scuola di d pdf - Feb 02 2022

web apr 29 2023 nastri scarpette il battello a vapore scuola di d 2 7 downloaded from uniport edu ng on april 29 2023 by guest covering such topics as conceptual foundations and skills and values agreement supplements at the end of the book offer expanded discussions although it touches on theory as well as practice the atlas is meant to be a

*download nastri scarpette il battello a vapore scuola di* - Apr 16 2023

web jun 8 2021 età di lettura da 9 anni detalles del libro name nastri scarpette il battello a vapore scuola di danza autor aurora marsotto d pizzato categoria libros infantil arte música y fotografía tamaño del archivo 11 mb tipos de archivo pdf document descargada 714 times idioma español archivos de estado available

*descargar gratis nastri scarpette il battello a vapore scuola di* - Nov 30 2021

web feb 5 2021 età di lettura da 9 anni detalles del libro name nastri scarpette il battello a vapore scuola di danza autor aurora marsotto d pizzato categoria libros infantil arte música y fotografía tamaño del archivo 7 mb tipos de archivo pdf document descargada 714 times idioma español archivos de estado available

**nastri scarpette il battello a vapore scuola di d pdf uniport edu** - Sep 09 2022

web feb 21 2023 nastri scarpette il battello a vapore scuola di d 2 7 downloaded from uniport edu ng on february 21 2023 by guest facilitating knowledge creation in their communities the vision for a new librarianship must go beyond finding library related uses for information technology and the internet it must provide a durable foundation for the

**nastri scarpette il battello a vapore scuola di d uniport edu** - Jul 07 2022

web scarpette il battello a vapore scuola di d but end up in harmful downloads rather than reading a good book with a cup of tea in the afternoon instead they are facing with some infectious bugs inside their desktop computer nastri scarpette il battello a vapore scuola di d is available in our book collection an online access to it is set as

*pdf nastri scarpette il battello a vapore scuola di d* - Sep 21 2023

web nastri scarpette il battello a vapore scuola di d inchiesta parlamentare sulla marina mercantile 1881 1882 jun 27 2022 catalogue of the british section feb 09 2021 sunto delle lezioni sul vapore e sulle macchine a vapore sep 18 2021 camp and

plant apr 13 2021 the national union catalog pre 1956 imprints jun 03 2020

*nari sartre on scratch* - Mar 03 2022

web name nari sartre nationality french korean age 24 family don t want to talk about it side don t get me involved in politics

i came from your future it s not what the youth described

down load of bs en 12811 1 mcf strathmore - Dec 17 2021

industry standards scaffolding association - Nov 27 2022

web unlike bs 5973 bs en 12811 is a performance document for the design of scaffolding by calculation and not a practical guide nasc developed tg20 05 and then tg20 08 in the

bs en 12811 1 temporary works equipment scaffolds - Apr 01 2023

web jun 16 2004 temporary works equipment scaffolds performance requirements and general design doi org 10 3403 03061625 published 16 06 2004 bs en 12811

**bs en 12810 1 2003 sai global store** - Jan 18 2022

web nov 20 2002 din en 12811 4 2014 03 temporary works equipment part 4 protection fans for scaffolds performance requirements and product design din en 74 2 2009 01 couplers spigot pins and baseplates for use in falsework and scaffolds part 2 special couplers requirements and test procedures

pdf bs en 12811 4 2013 free download pdf - Feb 16 2022

web down load of bs en 12811 1 pdf bs en 50172 2004 bs 5266 part 8 free download pdf bs en 933 1 2012 tests for geometrical properties of bsplayer com bs

**temporary works equipment wellmade scaffold** - Sep 06 2023

web temporary works equipment part 1 scaffolds performance requirements and general design the european standard en 12811 1 2003 has the status of a british standard

*en 12811 3 2002 temporary works equipment part 3 load testing* - Nov 15 2021

bs en 12811 4 2013 free download pdf kupdf net - Aug 25 2022

web dec 10 2003 buy en 12811 1 2003 temporary works equipment part 1 scaffolds performance requirements and general design from nsai temporary works

temporary works equipment wellmade scaffold - May 22 2022

web 2 down load of bs en 12811 1 2020 06 01 need to purchase it as a hard copy british standards publication an example of a downloadable british standard is bs en iso

[en 12811 1 2003 temporary works equipment part 1 scaffolds p](#) - Jun 22 2022

web to be read in conjunction with bs en 12810 2 bs en 12811 1 bs en 12811 3 pren 12811 2 describes the performance requirements and the general requirements for structural design and assessment for prefabricated facade scaffold systems

**download of bs en 12811 1 download only staging itsm** - Mar 20 2022

web jun 16 2004 buy bs en 12810 1 2003 facade scaffolds made of prefabricated components product specifications from sai global 06 2004 to be read in conjunction with bs en 12811 1 bs en 12811 3 pren 12811 2 and bs en 12810 2 08 2005 document type standard isbn pages published load testing bs en 12810

[bs en 12811 1 2003 pdf pdf scribd](#) - Jul 04 2023

web i s en 12811 part 1 2004 specifies performance requirements and methods of structural and general design for access and working scaffolds in particular where the scaffold

**bs en 12811 1 2003 techstreet** - Sep 25 2022

web bs en 12811 2 2004 this british standard was published under the authority load bearing towers made of prefabricated elements methods of particular design and

**pdf download bs en 12810 1 façade scaffolds made of** - Apr 20 2022

web feb 22 2018 bs en 12811 4 2013 february 22 2018 author jahel looti category scaffolding structural load engineering science technology report this link download pdf

[bs en 12811 1 2003 temporary works equipment scaffolds](#) - Feb 28 2023

web abstract specifies performance requirements and methods of structural and general design for access and working scaffolds requirements given are for scaffold structures which

[bs en 12811 temporary works equipment bsi group](#) - Aug 05 2023

web part 1 temporary works equipment scaffolds performance requirements and general design part 2 temporary works equipment information on materials part 3 temporary

**bs en 12811 1 2003 temporary works equipment** - Jan 30 2023

web jun 16 2004 find the most up to date version of bs en 12811 1 at globalspec

**tg20 13 nasc** - Oct 27 2022

web feb 22 2018 bs en 12811 4 2013 bsi standards publication temporary works equipment part 4 protection fans for scaffolds performance requirements and product design bs

**bsi bs en 12811 1 temporary works equipment part 1** - Dec 29 2022

web bs en 12811 1 2003 temporary works equipment scaffolds performance requirements and general design available from bsi

[en 12811 1 scaffold access working platforms pdf](#) - Jun 03 2023

web jun 21 2022 bs en 12811 1 british standard scaffolding performance requirement was published by sandeep dubey on 2022 06 21 find more similar flip pdfs like bs en

**bs en 12811 1 british standard scaffolding performance require** - May 02 2023

web jun 16 2004 doi org 10 3403 03061625u bs en 12811 1 is maintained by b 514 the current release of this standard is bs en 12811 1 2003 temporary works

**temporary works equipment wellmade scaffold** - Jul 24 2022

web en iso 6506 1 metallic materials brinell hardness test part 1 test method iso 6506 1 1999 en iso 6507 1 metallic materials vickers hardness test part 1 test method

[pdf bs en 12811 1 2003 pdf free download pdf](#) - Oct 07 2023

web sep 4 2020 bs en 12811 1 2003 pdf september 4 2020 author anonymous category n a report this link download pdf share

[human reproductive system definition diagram facts](#) - Feb 22 2023

dec 10 2022 embryology of the reproductive system creighton university is genial in our digital library an online entry to it is set as public appropriately you can download

*embryology of the reproductive system creighton university* - Jun 16 2022

this embryology of the reproductive system creighton university as one of the most functioning sellers here will completely be among the best options to review female genital

**embryology of the reproductive system creighton university** - May 16 2022

embryology of the reproductive system creighton university college pediatric and adolescent gynecology and distress whilst optimizing gynecological and reproductive

[embryology of the reproductive system creighton university](#) - Jan 12 2022

embryology of the reproductive system creighton university below weedited by sarah m creighton university college pediatric and adolescent gynecology and distress whilst

**embryology of the reproductive system creighton university** - Nov 21 2022

recent claims that the christian tradition justifies destructive research on human embryos have drawn upon an article by the late professor gordon dunstan which appeared in this journal in

*embryology of the reproductive system creighton university* - Dec 11 2021

embryology of the reproductive system creighton university reproductive tract infections molecular biology of the male reproductive system uterine physiology ovarian

**embryology of the reproductive system creighton university** - Jun 28 2023

this embryology of the reproductive system creighton university as one of the most lively sellers here will enormously be along with the best options to review beef heifer

embryology of the reproductive system creighton university - Oct 01 2023

may 30 2023 as this embryology of the reproductive system creighton university it ends in the works subconscious one of the favored books embryology of the reproductive system

embryology of the reproductive system creighton university - Jul 30 2023

embryology of the reproductive system creighton university copy interactivearchivist archivists org subject embryology of the reproductive system

embryology of the reproductive system creighton university - Sep 19 2022

may 23 2023 category larsen s human embryology creighton university reproductive system edited by sarah m creighton university college pediatric and adolescent

*creighton model unleashing the power of a woman s cycle* - Feb 10 2022

may 27 2023 embryology of the reproductive system creighton university webedited by sarah m creighton university college pediatric and adolescent gynecology and distress

embryology of the reproductive system creighton university - Aug 19 2022

assisted reproductive services are thoroughly discussed basic knowledge such as the development and physiology of both male and female reproductive systems is covered with

**the creighton model facts** - Apr 26 2023

this embryology of the reproductive system creighton university as one of the most working sellers here will definitely be in the middle of the best options to review embryology

*embryology of the reproductive system creighton university* - Jan 24 2023

the role of heat shock proteins in reproductive system development and function molecular biology of the cell embryology of flowering plants terminology and concepts vol 3

embryology of the reproductive system creighton university - May 28 2023

during a woman s reproductive cycle her body experiences many changes in her hormones that produce observable 3 howard m p stanford j b pregnancy probabilities during use of

**the human embryo in the christian tradition a reconsideration** - Oct 21 2022

certified by creighton university as the idaho state university system 2017 2018 creighton university the mission of the department of biomedical sciences graduate programs is to

**embryology of the reproductive system creighton university** - Dec 23 2022

may 31 2023 as this embryology of the reproductive system creighton university it ends occurring physical one of the favored ebook embryology of the reproductive system

*embryology of the reproductive system creighton university* - Nov 09 2021

**embryology of the reproductive system creighton university** - Apr 14 2022

embryology of the reproductive system creighton university the role of heat shock proteins in reproductive system development and function uterine physiology human

**embryology of the reproductive system creighton university** - Jul 18 2022

sep 10 2023 embryology of the reproductive system creighton university gray s blad cover 13 7 04 8 41 am page 2 faculty creighton university school of medicine april

**embryology of the reproductive system creighton university** - Mar 26 2023

sep 4 2023 development of the reproductive organs the sex of a child is determined at the time of fertilization of the ovum by the spermatozoon the differences between a male and a

**embryology uterus statpearls ncbi bookshelf** - Aug 31 2023

embryology of the reproductive system creighton university 1 embryology of the reproductive system creighton university study guide for human anatomy and

embryology of the reproductive system creighton university - Mar 14 2022

the creighton model fertilitycare system crms is a standardized modification of the billings ovulation method it is built on research education and service the triangle of support for