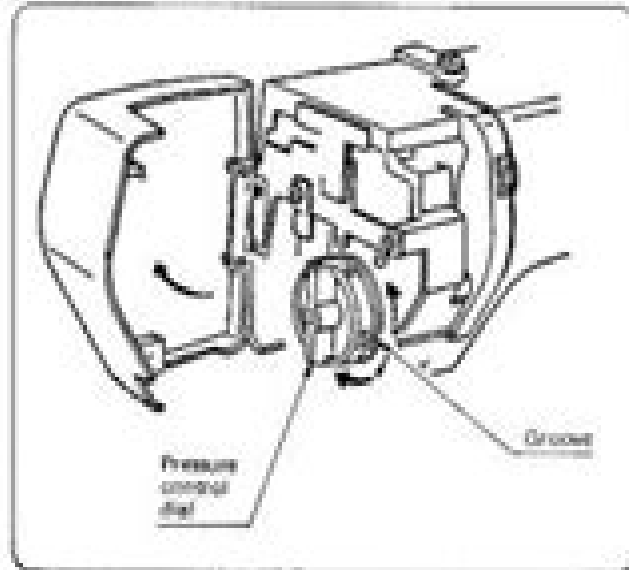


- Set the Pressure Dial



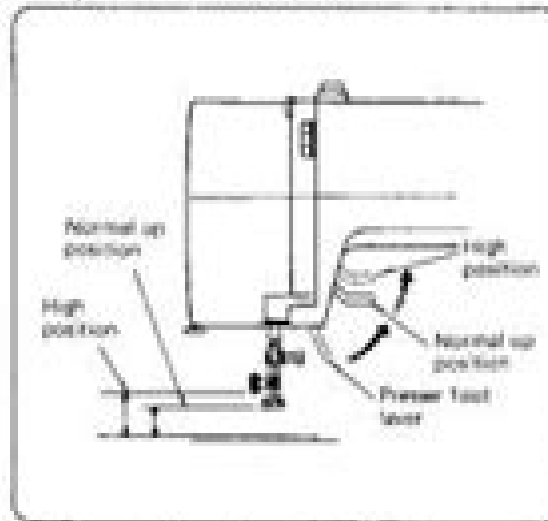
The pressure control dial is located inside the face cover plate.

Set the dial aligning the setting mark on the dial with the groove as follows.

- 3 most sewing
- 2 applique and Cut-Out work
- 1 basting, sewing chiffon, lace, organdy and other lightweight fabrics.
Also for velours and knits (with more stretch).
- 0 manual darning and embroidery

NOTE: The pressure dial should be reset at 3 after changing pressure, so the machine is ready for most normal sewing the next time you use it.

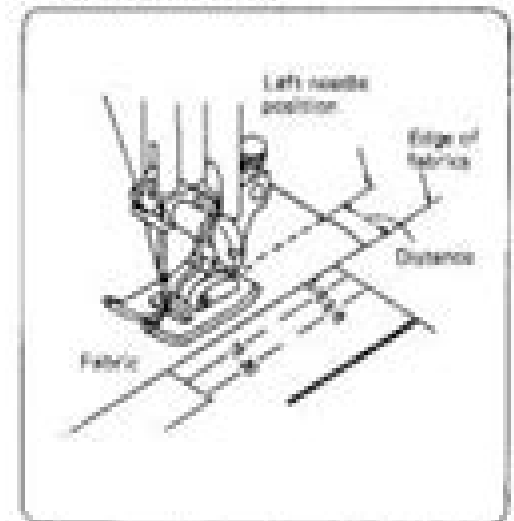
- Adjust the Presser Foot Lever



The Presser Foot Lever raises and lowers your presser foot.

You can raise it about 0.8 cm higher than the normal up position for easy removal of the presser foot or to help you place heavy fabrics under the presser foot.

- Use the Seam Guides



The seam guides on the needle plate are engraved to help you measure seam width.

* The number indicates the distance between the left needle position and the line.

Number	15	20	4/8	5/8	6/8
Distance (cm)	1.5	2.0	1.3	1.6	1.9

Janome My Style Ms2522 Sewing Machine Manual

MANUAL.



Janome My Style Ms2522 Sewing Machine Manual:

The Sewing Machine Manual WENDY. GARDINER, 2023-07-13 *Singer 4452 Heavy Duty Sewing Machine Instruction Manual* Taylor J Monroe, 2025-08-04 NOTE This book is a practical user guide created for educational purposes only It is independently authored and not sponsored endorsed or approved by Singer Sewing Company Whether you re a seasoned seamstress or a beginner just starting your sewing journey the Singer 4452 Heavy Duty Sewing Machine Instruction Manual is your ultimate guide to mastering one of the most reliable and robust sewing machines on the market This comprehensive guide is designed to help you get the most out of your Singer 4452 ensuring you have the knowledge and confidence to tackle any project no matter your skill level Why This Guide is Important Sewing with the Singer 4452 can be incredibly rewarding but it s only when you fully understand how to set up troubleshoot and optimize the machine that you can truly unlock its potential Many users struggle with basic setup making common mistakes that could easily be avoided with the right guidance This book eliminates confusion and empowers you to sew with confidence From setting up your machine to advanced techniques every chapter is packed with valuable information that ensures you get the results you re looking for The guide not only walks you through the setup process but also provides troubleshooting tips pro techniques and creative project ideas making it an invaluable resource for any sewing enthusiast What s Inside the Book Comprehensive Setup Instructions Step by step guidance on how to unbox assemble and thread your machine ensuring you re up and running in no time Pro Tips Expert advice to help you sew faster more accurately and with less frustration Learn how to handle heavy fabrics improve stitch quality and optimize your machine s settings for every project Troubleshooting Detailed solutions to the most common problems including skipped stitches thread tangles and tension issues Get your machine back on track with ease Advanced Techniques Take your sewing skills to the next level by mastering advanced techniques like quilting creating custom buttonholes and working with specialty fabrics like denim and leather Project Ideas Inspiration for your next project whether you re looking to make clothing home d cor or accessories Every technique you learn can be applied to real world projects bringing your creative ideas to life Clear Helpful Images Inside the book you ll find helpful images that illustrate the setup process maintenance steps and sewing techniques making it easy to follow along and execute tasks without confusion Who is This Guide For Beginners If you re new to sewing this guide breaks down the process into manageable steps from setting up your machine to mastering basic stitches It s written in a clear accessible way so you won t feel overwhelmed as you learn Intermediate Sewers For those with a bit of experience this book offers valuable tips to fine tune your technique speed up your sewing process and solve common issues that can disrupt your workflow Experienced Users Even seasoned seamstresses will find pro tips advanced sewing techniques and creative project ideas to help elevate their craft There s always something new to learn no matter how long you ve been sewing Perfect for sharing with friends family or anyone you know who owns or is considering the Singer 4452 Stock up now and make sewing easier more

enjoyable and even more rewarding for yourself and others Grab your copy now and start sewing with confidence

Manual of Family Sewing Machines Singer Sewing Machine Company,1914 **A Manual of Family Sewing Machines** Singer Sewing Machine Company,1923 How to Use a Sewing Machine Marie Clayton,2014-08-28 Sewing is the perfect hobby it is relaxing creative and extremely useful But sewing machines can seem complicated This book has everything you need to know to choose use and look after your sewing machine with confidence The first chapters will help you choose a machine explaining which features to look out for Once you ve got your machine home the step by step instructions will help you get to grips with everything Learn how to set up your machine and its basic functions including winding a bobbin threading up and adjusting tension and stitch size With plenty of information on basic dressmaking techniques you will soon be tackling seams and hems zips and buttonholes gathers and pleats binding and trimming Feeling creative Try out some decorative techniques with machine embroidery appliqu patchwork and quilting And if you get stuck there is an invaluable trouble shooting section along with a jargon busting glossary So whether you want to use your sewing machine to carry out simple repairs customize and alter your vintage finds create a whole new wardrobe from scratch or make a stylish curtains and cushions for your home be sure to have this manual by your side at all times *The Sewing Machine Manual* Wendy Gardiner,2022 *A Manual of Family Sewing Machines and Their Attachments* Singer Sewing Machine Co. Ltd, **Manual of Family Sewing Machines and Their Attachments** MANUAL.,1963 *A Manual of Family Sewing Machines* Singer Sewing Machine Co.Ltd, *A Manual of Family Sewing Machines & Their Attachments ...* Singer Sewing Machine Company,1914 **A Manual of Family Sewing Machines and Their Attachments** Singer Sewing Machine Company,1945

Embark on a transformative journey with is captivating work, Grab Your Copy of **Janome My Style Ms2522 Sewing Machine Manual** . This enlightening ebook, available for download in a convenient PDF format Download in PDF: , invites you to explore a world of boundless knowledge. Unleash your intellectual curiosity and discover the power of words as you dive into this riveting creation. Download now and elevate your reading experience to new heights .

<https://www.splashdogs.com/About/detail/HomePages/medical%20problem%20list%20template.pdf>

Table of Contents Janome My Style Ms2522 Sewing Machine Manual

1. Understanding the eBook Janome My Style Ms2522 Sewing Machine Manual
 - The Rise of Digital Reading Janome My Style Ms2522 Sewing Machine Manual
 - Advantages of eBooks Over Traditional Books
2. Identifying Janome My Style Ms2522 Sewing Machine Manual
 - Exploring Different Genres
 - Considering Fiction vs. Non-Fiction
 - Determining Your Reading Goals
3. Choosing the Right eBook Platform
 - Popular eBook Platforms
 - Features to Look for in an Janome My Style Ms2522 Sewing Machine Manual
 - User-Friendly Interface
4. Exploring eBook Recommendations from Janome My Style Ms2522 Sewing Machine Manual
 - Personalized Recommendations
 - Janome My Style Ms2522 Sewing Machine Manual User Reviews and Ratings
 - Janome My Style Ms2522 Sewing Machine Manual and Bestseller Lists
5. Accessing Janome My Style Ms2522 Sewing Machine Manual Free and Paid eBooks
 - Janome My Style Ms2522 Sewing Machine Manual Public Domain eBooks
 - Janome My Style Ms2522 Sewing Machine Manual eBook Subscription Services
 - Janome My Style Ms2522 Sewing Machine Manual Budget-Friendly Options

6. Navigating Janome My Style Ms2522 Sewing Machine Manual eBook Formats
 - ePub, PDF, MOBI, and More
 - Janome My Style Ms2522 Sewing Machine Manual Compatibility with Devices
 - Janome My Style Ms2522 Sewing Machine Manual Enhanced eBook Features
7. Enhancing Your Reading Experience
 - Adjustable Fonts and Text Sizes of Janome My Style Ms2522 Sewing Machine Manual
 - Highlighting and Note-Taking Janome My Style Ms2522 Sewing Machine Manual
 - Interactive Elements Janome My Style Ms2522 Sewing Machine Manual
8. Staying Engaged with Janome My Style Ms2522 Sewing Machine Manual
 - Joining Online Reading Communities
 - Participating in Virtual Book Clubs
 - Following Authors and Publishers Janome My Style Ms2522 Sewing Machine Manual
9. Balancing eBooks and Physical Books Janome My Style Ms2522 Sewing Machine Manual
 - Benefits of a Digital Library
 - Creating a Diverse Reading Collection Janome My Style Ms2522 Sewing Machine Manual
10. Overcoming Reading Challenges
 - Dealing with Digital Eye Strain
 - Minimizing Distractions
 - Managing Screen Time
11. Cultivating a Reading Routine Janome My Style Ms2522 Sewing Machine Manual
 - Setting Reading Goals Janome My Style Ms2522 Sewing Machine Manual
 - Carving Out Dedicated Reading Time
12. Sourcing Reliable Information of Janome My Style Ms2522 Sewing Machine Manual
 - Fact-Checking eBook Content of Janome My Style Ms2522 Sewing Machine Manual
 - Distinguishing Credible Sources
13. Promoting Lifelong Learning
 - Utilizing eBooks for Skill Development
 - Exploring Educational eBooks
14. Embracing eBook Trends
 - Integration of Multimedia Elements

- Interactive and Gamified eBooks

Janome My Style Ms2522 Sewing Machine Manual Introduction

In the digital age, access to information has become easier than ever before. The ability to download Janome My Style Ms2522 Sewing Machine Manual has revolutionized the way we consume written content. Whether you are a student looking for course material, an avid reader searching for your next favorite book, or a professional seeking research papers, the option to download Janome My Style Ms2522 Sewing Machine Manual has opened up a world of possibilities. Downloading Janome My Style Ms2522 Sewing Machine Manual provides numerous advantages over physical copies of books and documents. Firstly, it is incredibly convenient. Gone are the days of carrying around heavy textbooks or bulky folders filled with papers. With the click of a button, you can gain immediate access to valuable resources on any device. This convenience allows for efficient studying, researching, and reading on the go. Moreover, the cost-effective nature of downloading Janome My Style Ms2522 Sewing Machine Manual has democratized knowledge. Traditional books and academic journals can be expensive, making it difficult for individuals with limited financial resources to access information. By offering free PDF downloads, publishers and authors are enabling a wider audience to benefit from their work. This inclusivity promotes equal opportunities for learning and personal growth. There are numerous websites and platforms where individuals can download Janome My Style Ms2522 Sewing Machine Manual. These websites range from academic databases offering research papers and journals to online libraries with an expansive collection of books from various genres. Many authors and publishers also upload their work to specific websites, granting readers access to their content without any charge. These platforms not only provide access to existing literature but also serve as an excellent platform for undiscovered authors to share their work with the world. However, it is essential to be cautious while downloading Janome My Style Ms2522 Sewing Machine Manual. Some websites may offer pirated or illegally obtained copies of copyrighted material. Engaging in such activities not only violates copyright laws but also undermines the efforts of authors, publishers, and researchers. To ensure ethical downloading, it is advisable to utilize reputable websites that prioritize the legal distribution of content. When downloading Janome My Style Ms2522 Sewing Machine Manual, users should also consider the potential security risks associated with online platforms. Malicious actors may exploit vulnerabilities in unprotected websites to distribute malware or steal personal information. To protect themselves, individuals should ensure their devices have reliable antivirus software installed and validate the legitimacy of the websites they are downloading from. In conclusion, the ability to download Janome My Style Ms2522 Sewing Machine Manual has transformed the way we access information. With the convenience, cost-effectiveness, and accessibility it offers, free PDF downloads have become a popular choice for students, researchers, and book lovers worldwide. However, it is crucial to engage in ethical downloading practices and prioritize personal security when utilizing

online platforms. By doing so, individuals can make the most of the vast array of free PDF resources available and embark on a journey of continuous learning and intellectual growth.

FAQs About Janome My Style Ms2522 Sewing Machine Manual Books

How do I know which eBook platform is the best for me? Finding the best eBook platform depends on your reading preferences and device compatibility. Research different platforms, read user reviews, and explore their features before making a choice. Are free eBooks of good quality? Yes, many reputable platforms offer high-quality free eBooks, including classics and public domain works. However, make sure to verify the source to ensure the eBook credibility. Can I read eBooks without an eReader? Absolutely! Most eBook platforms offer webbased readers or mobile apps that allow you to read eBooks on your computer, tablet, or smartphone. How do I avoid digital eye strain while reading eBooks? To prevent digital eye strain, take regular breaks, adjust the font size and background color, and ensure proper lighting while reading eBooks. What the advantage of interactive eBooks? Interactive eBooks incorporate multimedia elements, quizzes, and activities, enhancing the reader engagement and providing a more immersive learning experience. Janome My Style Ms2522 Sewing Machine Manual is one of the best book in our library for free trial. We provide copy of Janome My Style Ms2522 Sewing Machine Manual in digital format, so the resources that you find are reliable. There are also many Ebooks of related with Janome My Style Ms2522 Sewing Machine Manual. Where to download Janome My Style Ms2522 Sewing Machine Manual online for free? Are you looking for Janome My Style Ms2522 Sewing Machine Manual PDF? This is definitely going to save you time and cash in something you should think about. If you trying to find then search around for online. Without a doubt there are numerous these available and many of them have the freedom. However without doubt you receive whatever you purchase. An alternate way to get ideas is always to check another Janome My Style Ms2522 Sewing Machine Manual. This method for see exactly what may be included and adopt these ideas to your book. This site will almost certainly help you save time and effort, money and stress. If you are looking for free books then you really should consider finding to assist you try this. Several of Janome My Style Ms2522 Sewing Machine Manual are for sale to free while some are payable. If you arent sure if the books you would like to download works with for usage along with your computer, it is possible to download free trials. The free guides make it easy for someone to free access online library for download books to your device. You can get free download on free trial for lots of books categories. Our library is the biggest of these that have literally hundreds of thousands of different products categories represented. You will also see that there are specific sites catered to different product types or categories, brands or niches related with Janome My Style Ms2522 Sewing Machine Manual. So depending on what exactly you are searching, you will be able to choose e books to suit your own need. Need to access completely for

Campbell Biology Seventh Edition book? Access Ebook without any digging. And by having access to our ebook online or by storing it on your computer, you have convenient answers with Janome My Style Ms2522 Sewing Machine Manual To get started finding Janome My Style Ms2522 Sewing Machine Manual, you are right to find our website which has a comprehensive collection of books online. Our library is the biggest of these that have literally hundreds of thousands of different products represented. You will also see that there are specific sites catered to different categories or niches related with Janome My Style Ms2522 Sewing Machine Manual So depending on what exactly you are searching, you will be able to choose ebook to suit your own need. Thank you for reading Janome My Style Ms2522 Sewing Machine Manual. Maybe you have knowledge that, people have search numerous times for their favorite readings like this Janome My Style Ms2522 Sewing Machine Manual, but end up in harmful downloads. Rather than reading a good book with a cup of coffee in the afternoon, instead they juggled with some harmful bugs inside their laptop. Janome My Style Ms2522 Sewing Machine Manual is available in our book collection an online access to it is set as public so you can download it instantly. Our digital library spans in multiple locations, allowing you to get the most less latency time to download any of our books like this one. Merely said, Janome My Style Ms2522 Sewing Machine Manual is universally compatible with any devices to read.

Find Janome My Style Ms2522 Sewing Machine Manual :

medical problem list template

medication price list walmart

meet me in barcelona

meditech superuser manual

meigs and meigs solution manual

mein boumlses herz german edition

medical surgical nursing lewis

medicare payable dx for cpt 80053

med surg study guide lewis 5th ed

medication aide job interview question and answer

medical office assistant policy procedure manual template

medical priority guide

meigs and 9th edition financial accounting

medical technologist board examination questions

medsurg study guide iggy

Janome My Style Ms2522 Sewing Machine Manual :

biology 2011 solved paper previous year question icse - Jan 30 2022

web nov 4 2019 biology 2011 solved paper previous year question biology 2011 solved paper previous year question icse with sample paper for 2020 and other previous year solved question for practice so that student of class 10th icse can achieve their goals in next exam of council sample paper for biology for 2020 exam also given

[gcse biology revision xtremepapers advancing knowledge](#) - Jul 04 2022

web transport in plants the respiratory system excretion in humans homeostasis co ordination and response reproduction growth and development revision resource for students studying their gcse and a levels featuring high quality revision guides revision notes and revision questions for a range of subjects

june 2011 biology 10 pdf files past papers archive - Nov 08 2022

web biology aqa gcse mark scheme 2011 june series 3 mark scheme information to examiners 1 general the mark scheme for each question shows 10 biology ms p21 m j 11 pdf mark scheme for the may june 2011 question paper mark scheme for the may june 2011 question paper for the guidance of teachers 5090 biology 5090 21

past papers xtremepapers - Sep 06 2022

web dec 13 2021 i could not find any links for p1 past papers anywhere including xtremepapers please help me with this as my exams are just around the corner sep 21 2015 chemistry evil paper 6 i m doomed panic past papers scary paper 5 replies 3 forum a levels b gce biology edexcel june 2015 past papers all units gce

may june 2011 igcse biology paper sc query - Apr 13 2023

web search may june 2011 s11 refine your search by adding paper number igcse biology may june 2011 examiner report 45pages pdf grade thresholds 2pages pdf igcse biology may june 2011 paper 1 variant 1 question paper 16pages pdf mark scheme 2pages pdf igcse biology may june 2011 paper 1 variant 2

biology past paper june 2011 document in gcse biology get - Dec 09 2022

web biology past paper june 2011 june 2011 4 0 5 based on 2 ratings created by edward created on 31 05 12 09 56 biology past paper june 2011 pdf document biology gcse ocr download save to favourites share tweet igcse biology exam may june edexcel b biology a level exam papers revision

mark scheme for the may june 2011 question paper xtremepapers - Aug 17 2023

web mark scheme for the may june 2011 question paper for the guidance of teachers 9700 biology 9700 21 paper 2 as structured questions maximum raw mark 60 this mark scheme is published as an aid to teachers and candidates to indicate the requirements of the examination it shows the basis on which examiners were instructed to award marks

cambridge igcse biology 0610 - Jan 10 2023

web 2023 specimen paper 6 pdf 1mb 2023 specimen paper 6 mark scheme pdf 964kb sign up for updates about changes to the syllabuses you teach with an emphasis on human biology the cambridge igcse biology syllabus helps learners to understand the technological world in which they live and take an informed interest in science and

biology xtremepapers - Aug 05 2022

web nov 17 2022 o n 2018 biology pastpapers available hello all on 2018 5090 biology pastpapers will be available from the site below on 1st november 2018 in the mean time enjoy the resources i have uploaded to the site including some papers of i created myself to test your understanding

biology 2011 june paper 21 papers xtremepapers download - Feb 28 2022

web biology 2011 june paper 21 papers xtremepapers title biology 2011 june paper 21 papers xtremepapers download only cpanel urbnleaf com subject biology 2011 june paper 21 papers xtremepapers download only created date 10 5 2023 6 57 41 am

[biology 2011 june paper 21 papers xtremepapers imgur](#) - Mar 12 2023

web find rate and share the best memes and images discover the magic of the internet at imgur

[o level biology 2011 past papers cie notes](#) - May 02 2022

web oct 26 2018 o level biology may june past papers 5090 s11 er 5090 s11 ir 31 5090 s11 ir 32 5090 s11 ms 11 5090 s11 ms 12 5090 s11 ms 21 5090 s11 ms 22 5090 s11 ms 31 5090 s11 ms 62

june 2011 papers mark scheme here xtremepapers - Sep 18 2023

web aug 24 2011 biology papers 2011 ex zip 1 7 mb views 681 biology mark scheme 2011 zip thx for june 2011 papers but in mathematics b mediafire link download 4ar0 is arabic not mathematics for almost 10 years the site xtremepapers has been trying very hard to serve its users however we are now struggling to cover its operational

[past papers of home igcse biology 2011 june xtrapapers](#) - Jul 16 2023

web pearson edexcel past papers mark schemes and all examination materials are here on xtrapapers updated regularly pearson edexcel past papers mark schemes and all examination materials are here on xtrapapers updated regularly home igcse biology 2011 june xtrapapers home igcse biology 2011 june directories back

xtremepapers - Jun 03 2022

web we are currently struggling to cover the operational costs of xtremepapers as a result we might have to shut this website down past papers marking schemes specimen papers examiner reports grade thresholds syllabus and other exam materials exams student life or whatever is on your mind timer caie may june 2023 session

cambridge international as a level biology 9700 - Apr 01 2022

web june 2021 question paper 11 pdf 1mb june 2021 mark scheme paper 11 pdf 159kb june 2021 question paper 21 pdf 1mb june 2021 mark scheme paper 21 pdf 301kb june 2021 question paper 31 pdf 3mb june 2021 mark scheme paper 31 pdf 222kb june 2021 confidential instructions paper 31 pdf 1mb june 2021

biology 2011 mark scheme 10 pdf files past papers archive - Feb 11 2023

web mark scheme results june 2011 igcse2009 com mark scheme results june 2011 international gcse biology 4bi0 paper 2b edexcel is one of the leading examining and awarding bodies in the uk and throughout the 3 9700 s11 ms 41 pdf papers xtremepapers com mark scheme for the may june 2011 question

[papers xtremepapers](#) - Oct 07 2022

web biology hl paper 1 tz2 pdf 170 9 kb biology hl paper 1 tz2 ms pdf 40 2 kb biology hl paper 2 ms tz1 ms pdf 244 2 kb biology hl paper 2 ms tz2 ms pdf 227 6 kb biology hl paper 2 tz1 pdf 491 8 kb biology hl paper 2 tz1 ms pdf 244 2 kb biology hl paper 2 tz2 pdf 325 8 kb biology hl paper 2 tz2 ms pdf

university of cambridge international examinations xtremepapers - Jun 15 2023

web ib11 06 0610 21 3rp ucles 2011 turn over 1822079366 for examiner s use 1 2 3 4 5 6 7 8 9 total university of cambridge international examinations international general certificate of secondary education biology 0610 21 paper 2 core may june 2011 1 hour 15 minutes candidates answer on the question paper

0610 biology mark scheme for the may june 2011 question paper - May 14 2023

web 0610 biology mark scheme for the may june 2011 question paper w w ap ep m e tr x w university of cambridge international examinations for the guidance of teachers 0610 biology 0610 21 paper 2 core theory maximum raw mark 80 mark schemes must be read in conjunction with the question papers and the report on the

textbook of biochemistry with clinical correlations 5th ed - Feb 26 2022

web textbook of biochemistry with clinical correlations 5th ed devlin thomas m ed john wiley sons inc new york 2001 1216 pp isbn 0 471 41136 1 99 95 this is the fifth edition of a well respected textbook this version uses 28 authors for the 27 chapters the text is definitely targeted to medical students and those whose

[textbook of biochemistry with clinical correlations](#) - Apr 30 2022

web the purposes of the fourth edition of the textbook of biochemistry with clinical correlations remain unchanged from the earlier editions to present a clear discussion of the biochemistry of mammalian cells to relate the biochemical events at the cellular level to the physiological processes occurring in the whole animal and to cite examples

textbook of biochemistry with clinical correlations 6th edition - Apr 11 2023

web nov 3 2006 textbook of biochemistry with clinical correlations 6th edition edited by thomas m devlin wiley liss hoboken new jersey 2006 1208 pp isbn 0 471 67808 2 115 the previous edition of devlin s text was published in 2002 with a slightly

larger number of pages 1216

textbook of biochemistry with clinical correlations - Aug 03 2022

web jan 19 2010 this book presents a clear and precise discussion of the biochemistry of eukaryotic cells particularly those of mammalian tissues relates biochemical events at

textbook of biochemistry with clinical correlations google books - Feb 09 2023

web apr 15 1997 textbook of biochemistry with clinical correlations thomas m devlin wiley apr 15 1997 science 1216 pages entirely revised and updated this edition provides comprehensive in depth

textbook of biochemistry with clinical correlations 7th edition - Sep 04 2022

web this book presents a clear and precise discussion of the biochemistry of eukaryotic cells particularly those of mammalian tissues relates biochemical events at a cellular level to the subsequent physiological processes in the whole animal and cites examples of abnormal biochemical processes in human disease

textbook of biochemistry with clinical correlations - Oct 05 2022

web thomas m devlin s textbook of biochemistry with clinical correlations presents the biochemistry of mammalian cells relates events at a cellular level to the subsequent physiological processes in the whole animal and cites examples of human diseases derived from aberrant biochemical processes

textbook of biochemistry with clinical correlations 6th ed - Jan 28 2022

web general description this textbook presents the biochemistry of mammalian cells relates events at a cellular level to the subsequent physiological processes in the whole animal and cites examples of human diseases derived from aberrant biochemical processes

textbook of biochemistry with clinical correlations - Jul 02 2022

web this newly revised and updated fifth edition of devlin s textbook of biochemistry with clinical correlations presents the biochemistry of mammalian cells relates events at the cellular level to physiological processes in the whole animal and cites examples of human diseases derived from aberrant biochemical processes

textbook of biochemistry with clinical correlations 7th edition - Dec 07 2022

web a comprehensive and fully updated edition filled with over 250 clinical correlations this book presents a clear and precise discussion of the biochemistry of eukaryotic cells particularly those of mammalian tissues relates biochemical events at a cellular level to the subsequent physiological processes in the whole animal and cites examples

textbook of biochemistry with clinical correlations 5th ed - Mar 30 2022

web nov 3 2006 textbook of biochemistry with clinical correlations 5th ed devlin thomas m ed john wiley sons inc new york 2001 1216 pp isbn 0 471 41136 1 99 95 this is the fifth edition of a well respected textbook this version uses 28 authors for

the 27 chapters

textbook of biochemistry with clinical correlations postgraduate - Jun 01 2022

web mar 1 1999 it is particularly relevant to those studying human biochemistry both medical and non medical students and i would also recommend it to postgraduates working in the fields of metabolic medicine and clinical biochemistry at 29 95 it represents excellent value this article is published and distributed under the terms of the oxford

textbook of biochemistry with clinical correlations 7th ed - May 12 2023

web textbook of biochemistry with clinical correlations 7th ed author thomas m devlin summary this book presents a clear and precise discussion of the biochemistry of eukaryotic cells particularly those of mammalian tissues relates biochemical events at a cellular level to the subsequent physiological processes in the whole animal and

textbook of biochemistry with clinical correlations 7th edition - Mar 10 2023

web this book presents a clear and precise discussion of the biochemistry of eukaryotic cells particularly those of mammalian tissues relates biochemical events at a cellular level to the subsequent physiological processes in the whole animal and cites examples of abnormal biochemical processes in human disease

textbook of biochemistry with clinical correlations jama - Dec 27 2021

web tager hs textbook of biochemistry with clinical correlations jama 1982 248 5 596 doi 10 1001 jama 1982 03330050078046 download citation file

textbook of biochemistry with clinical correlations edition 7 - Nov 06 2022

web a comprehensive and fully updated edition filled with over 250 clinical correlations this book presents a clear and precise discussion of the biochemistry of eukaryotic cells particularly those of mammalian tissues relates biochemical events at a cellular level to the subsequent physiological processes in the whole animal and cites examples of

[textbook of biochemistry with clinical correlations 7th edition](#) - Jul 14 2023

web this book presents a clear and precise discussion of the biochemistry of eukaryotic cells particularly those of mammalian tissues relates biochemical events at a cellular level to the subsequent physiological processes in the whole animal and cites examples of abnormal biochemical processes in human disease

textbook of biochemistry with clinical correlations - Jun 13 2023

web jan 19 2010 a comprehensive and fully updated edition filled with over 250 clinical correlations this book presents a clear and precise discussion of the biochemistry of eukaryotic cells particularly

textbook of biochemistry with clinical correlations 7th edition - Jan 08 2023

web welcome to the web site for textbook of biochemistry with clinical correlations 7th edition by thomas m devlin this web site gives you access to the rich tools and resources available for this text you can access these resources in two ways using

the menu at the top select a chapter

[textbook of biochemistry with clinical correlation devlin 4th ed](#) - Aug 15 2023

web nov 28 2015 textbook of biochemistry with clinical correlation devlin 4th ed by uploads by zain aftab topics textbook of biochemistry with clinical correlation devlin 4th ed published by wiley liss collection

american national standard for emergency eyewash and - Sep 01 2023

this foreword is not part of american national standard ansi izea z358 1 2014 this revision updates ansi z358 1 2009 and was prepared by the emergency eyewash and shower group of the international safety equipment association whose members are thoroughly knowledgeable in the design installation and use of this important safety equipment

ansi eyewash z358 1 2009 in depth compliance guide pdf - Aug 20 2022

the ansi z358 1 eyewash standard was first implemented in 1981 the standard was modified in 1990 1998 2004 and 2009 equipment that falls under this standard includes drench showers eyewash eye face wash portable eyewash and combination eyewash drench shower units the ansi z358 1 standard also covers equipment performance and use

[ansi z358 1 2009 free download pdf doblespacio uchile](#) - Feb 11 2022

ansi z358 1 2009 free download 3 3 safety and provides an updated guide to federal regulations organized around a recommended workflow protocol for experiments the book offers prudent practices designed to promote safety and it includes practical information on assessing hazards managing chemicals disposing of wastes and more prudent

[ansi z358 1 2014 the only emergency shower standard](#) - Mar 27 2023

the ansi z358 1 2014 standard establishes a universal minimum performance and use requirements for all eyewash and drench shower equipment used for the treatment of the eyes face and body of a person who has been exposed to hazardous materials and chemicals

ansi z358 1 2009 eye shower pdf scribd - Jun 29 2023

ansi z358 1 2009 eye shower free download as pdf file pdf or read online for free scribd is the world s largest social reading and publishing site open navigation menu

[ansi z358 1 2009 free download pdf staging friends library](#) - Feb 23 2023

ansi z358 1 2009 free download 2 8 downloaded from staging friends library org on december 23 2022 by guest management of animal care and use programs in research education and testing robert h weichbrod 2017 09 07 aap prose

[ansi z358 1 2014 01 08 2015 guidance eye wash eye face](#) - Sep 20 2022

2 guardian ansi izea z358 1 2014 compliance checklist gesafety com downloads ansiguide pdf 3 understanding the ansi z358 1 2014 standard for plumbed and portable eyewash stations sep 01 2016 ohsonline com articles 2016 09 01 understanding the ansi z35812014 standard for

ansi z358 1 2009 pdf pdf scribd - Oct 22 2022

ansi z358 1 2009 pdf free download as pdf file pdf or read online for free

ansi isea z358 1 2009 - Dec 24 2022

ansi isea z358 1 2009 american national standard for emergency eyewash and shower equipment this standard establishes minimum performance and use requirements for eyewash and shower equipment for the emergency treatment of the eyes or body of a person who has been exposed to hazardous materials

ansi isea z358 1 2014 compliance checklist guardian - Jan 25 2023

ansi z358 1 2014 contains provisions regarding the design certification performance installation use and maintenance of various types of emergency equipment showers eyewashes drench hoses etc in addition to the provisions in the standard there are additional considerations that are not part of the standard

ansi isea z358 1 2009 compliance checklist st louis - Apr 15 2022

ansi z358 1 2009 contains provisions regarding the design certification performance installation use and maintenance of various types of emergency equipment showers eyewashes drench hoses etc

ansi isea z358 1 2009 compliance checklist ansi isea z358 1 - Mar 15 2022

units have been tested 1140 n north branch st 312 447 8101 facsimile to and comply with chicago il 60642 gesafety com ansi z358 1 2009 9 ansi isea z358 1 compliance checklist safety stations this checklist is a summary of the provisions of ansi z358 1 2009 relating to eye or eye face all guardian safety stations are third party certified

ansi z358 1 2014 emergency eyewash shower standard the ansi - Jul 31 2023

jul 3 2018 ansi isea z358 1 2014 covers emergency showers eyewashes eye face washes and combination units and it is intended to provide uniform minimum guidelines for their performance use installation test procedures maintenance and training

ansi z358 1 2014 pdf vsip info - Apr 27 2023

published in the united states of america foreword this foreword is not part of american national standard ansi isea z358 1 2014 this revision updates ansi z358 1 2009 and was prepared by the emergency eyewash and shower group of the international safety equipment association whose members are thoroughly knowledgeable in the

ansi z358 1 2009 free download pdf uniport edu - May 17 2022

may 2 2023 ansi z358 1 2009 free download is available in our digital library an online access to it is set as public so you can download it instantly our books collection spans in multiple locations allowing you to get the most less latency time to *a guide to the ansi z358 1 2009 standard pdf shower* - Nov 22 2022

ansi z358 1 2009 standard on september 14 2009 the american national standards institute ansi released its 2009 update to

the z358 1 standard the first revision to the standard since 2004 the ansi z358 1 standard sets the guidelines for safety equipment fixtures and

[american national standard for emergency eyewash and ansi - Jul 19 2022](#)

ansi isea z358 1 2009 revision of ansi z358 1 2004 american national standard for emergency eyewash and shower equipment secretariat international safety equipment association approved september 14 2009 american national standards institute inc american national standard

[difference between the eyewash ansi z358 1 2009 vs z358 1 - Jun 17 2022](#)

aug 27 2019 knowledge what is the difference between the eyewash ansi z358 1 2009 vs z358 1 2014 standard click on the file tab to download an overview of the new 2014 standard

ansi isea z358 1 pdf document - Oct 02 2023

apr 13 2015 description emergency eye wash and shower standard transcript page 1 a n s i i s e a z358 1 2009 american national standard for emergency eyewash and shower equipment copyright industrial safety equipment association provided by ihs under license with isea sold to grainger global trading sh 01924663

[ansi isea z358 1 2014 bradley corp - May 29 2023](#)

safety considerations personal wash unit ansi standards allow a personal wash unit ie bottled eyewash to be used as a supplement to the compliant ansi isea z358 1 fixtures outlined in