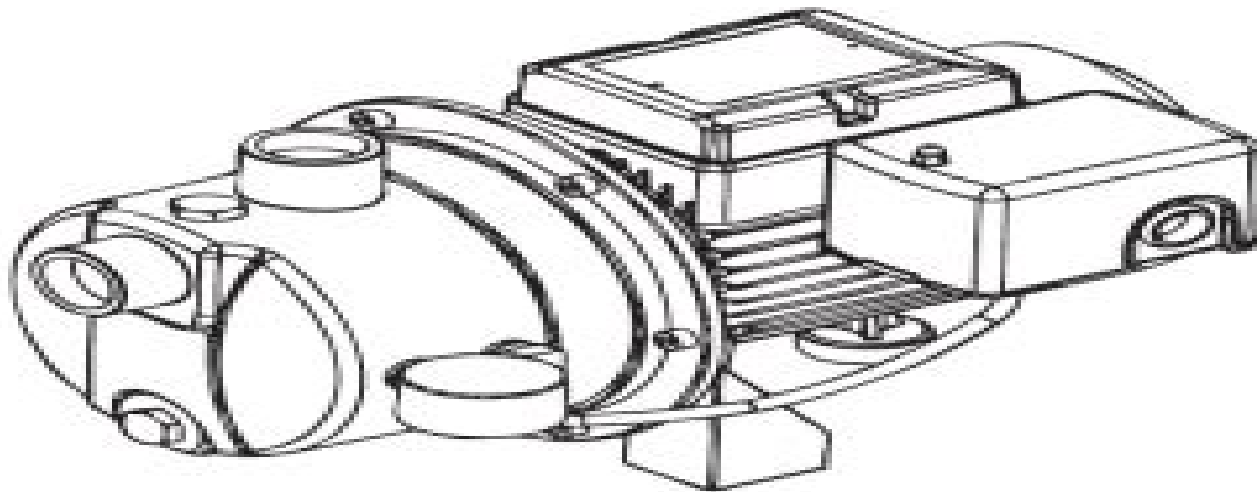


model no. 062-3423-B



Stainless Steel
SHALLOW WELL JET PUMP



IMPORTANT:
Please read this manual carefully before running
this pump and save it for reference.

**INSTRUCTION
MANUAL**

Mastercraft Shallow Well Jet Pump Manual

C Cleary



Mastercraft Shallow Well Jet Pump Manual:

Fuel your quest for knowledge with Authored by is thought-provoking masterpiece, **Mastercraft Shallow Well Jet Pump Manual** . This educational ebook, conveniently sized in PDF (Download in PDF: *), is a gateway to personal growth and intellectual stimulation. Immerse yourself in the enriching content curated to cater to every eager mind. Download now and embark on a learning journey that promises to expand your horizons. .

<https://www.splashdogs.com/book/browse/default.aspx/Nature%20Scavenger%20Hunt%20For%20Kids.pdf>

Table of Contents Mastercraft Shallow Well Jet Pump Manual

1. Understanding the eBook Mastercraft Shallow Well Jet Pump Manual
 - The Rise of Digital Reading Mastercraft Shallow Well Jet Pump Manual
 - Advantages of eBooks Over Traditional Books
2. Identifying Mastercraft Shallow Well Jet Pump Manual
 - Exploring Different Genres
 - Considering Fiction vs. Non-Fiction
 - Determining Your Reading Goals
3. Choosing the Right eBook Platform
 - Popular eBook Platforms
 - Features to Look for in an Mastercraft Shallow Well Jet Pump Manual
 - User-Friendly Interface
4. Exploring eBook Recommendations from Mastercraft Shallow Well Jet Pump Manual
 - Personalized Recommendations
 - Mastercraft Shallow Well Jet Pump Manual User Reviews and Ratings
 - Mastercraft Shallow Well Jet Pump Manual and Bestseller Lists
5. Accessing Mastercraft Shallow Well Jet Pump Manual Free and Paid eBooks
 - Mastercraft Shallow Well Jet Pump Manual Public Domain eBooks
 - Mastercraft Shallow Well Jet Pump Manual eBook Subscription Services
 - Mastercraft Shallow Well Jet Pump Manual Budget-Friendly Options

6. Navigating Mastercraft Shallow Well Jet Pump Manual eBook Formats
 - ePub, PDF, MOBI, and More
 - Mastercraft Shallow Well Jet Pump Manual Compatibility with Devices
 - Mastercraft Shallow Well Jet Pump Manual Enhanced eBook Features
7. Enhancing Your Reading Experience
 - Adjustable Fonts and Text Sizes of Mastercraft Shallow Well Jet Pump Manual
 - Highlighting and Note-Taking Mastercraft Shallow Well Jet Pump Manual
 - Interactive Elements Mastercraft Shallow Well Jet Pump Manual
8. Staying Engaged with Mastercraft Shallow Well Jet Pump Manual
 - Joining Online Reading Communities
 - Participating in Virtual Book Clubs
 - Following Authors and Publishers Mastercraft Shallow Well Jet Pump Manual
9. Balancing eBooks and Physical Books Mastercraft Shallow Well Jet Pump Manual
 - Benefits of a Digital Library
 - Creating a Diverse Reading Collection Mastercraft Shallow Well Jet Pump Manual
10. Overcoming Reading Challenges
 - Dealing with Digital Eye Strain
 - Minimizing Distractions
 - Managing Screen Time
11. Cultivating a Reading Routine Mastercraft Shallow Well Jet Pump Manual
 - Setting Reading Goals Mastercraft Shallow Well Jet Pump Manual
 - Carving Out Dedicated Reading Time
12. Sourcing Reliable Information of Mastercraft Shallow Well Jet Pump Manual
 - Fact-Checking eBook Content of Mastercraft Shallow Well Jet Pump Manual
 - Distinguishing Credible Sources
13. Promoting Lifelong Learning
 - Utilizing eBooks for Skill Development
 - Exploring Educational eBooks
14. Embracing eBook Trends
 - Integration of Multimedia Elements

- Interactive and Gamified eBooks

Mastercraft Shallow Well Jet Pump Manual Introduction

In the digital age, access to information has become easier than ever before. The ability to download Mastercraft Shallow Well Jet Pump Manual has revolutionized the way we consume written content. Whether you are a student looking for course material, an avid reader searching for your next favorite book, or a professional seeking research papers, the option to download Mastercraft Shallow Well Jet Pump Manual has opened up a world of possibilities. Downloading Mastercraft Shallow Well Jet Pump Manual provides numerous advantages over physical copies of books and documents. Firstly, it is incredibly convenient. Gone are the days of carrying around heavy textbooks or bulky folders filled with papers. With the click of a button, you can gain immediate access to valuable resources on any device. This convenience allows for efficient studying, researching, and reading on the go. Moreover, the cost-effective nature of downloading Mastercraft Shallow Well Jet Pump Manual has democratized knowledge. Traditional books and academic journals can be expensive, making it difficult for individuals with limited financial resources to access information. By offering free PDF downloads, publishers and authors are enabling a wider audience to benefit from their work. This inclusivity promotes equal opportunities for learning and personal growth. There are numerous websites and platforms where individuals can download Mastercraft Shallow Well Jet Pump Manual. These websites range from academic databases offering research papers and journals to online libraries with an expansive collection of books from various genres. Many authors and publishers also upload their work to specific websites, granting readers access to their content without any charge. These platforms not only provide access to existing literature but also serve as an excellent platform for undiscovered authors to share their work with the world. However, it is essential to be cautious while downloading Mastercraft Shallow Well Jet Pump Manual. Some websites may offer pirated or illegally obtained copies of copyrighted material. Engaging in such activities not only violates copyright laws but also undermines the efforts of authors, publishers, and researchers. To ensure ethical downloading, it is advisable to utilize reputable websites that prioritize the legal distribution of content. When downloading Mastercraft Shallow Well Jet Pump Manual, users should also consider the potential security risks associated with online platforms. Malicious actors may exploit vulnerabilities in unprotected websites to distribute malware or steal personal information. To protect themselves, individuals should ensure their devices have reliable antivirus software installed and validate the legitimacy of the websites they are downloading from. In conclusion, the ability to download Mastercraft Shallow Well Jet Pump Manual has transformed the way we access information. With the convenience, cost-effectiveness, and accessibility it offers, free PDF downloads have become a popular choice for students, researchers, and book lovers worldwide. However, it is crucial to engage in ethical downloading practices and prioritize personal security when utilizing online platforms. By doing so,

individuals can make the most of the vast array of free PDF resources available and embark on a journey of continuous learning and intellectual growth.

FAQs About Mastercraft Shallow Well Jet Pump Manual Books

How do I know which eBook platform is the best for me? Finding the best eBook platform depends on your reading preferences and device compatibility. Research different platforms, read user reviews, and explore their features before making a choice. Are free eBooks of good quality? Yes, many reputable platforms offer high-quality free eBooks, including classics and public domain works. However, make sure to verify the source to ensure the eBook credibility. Can I read eBooks without an eReader? Absolutely! Most eBook platforms offer webbased readers or mobile apps that allow you to read eBooks on your computer, tablet, or smartphone. How do I avoid digital eye strain while reading eBooks? To prevent digital eye strain, take regular breaks, adjust the font size and background color, and ensure proper lighting while reading eBooks. What the advantage of interactive eBooks? Interactive eBooks incorporate multimedia elements, quizzes, and activities, enhancing the reader engagement and providing a more immersive learning experience. Mastercraft Shallow Well Jet Pump Manual is one of the best book in our library for free trial. We provide copy of Mastercraft Shallow Well Jet Pump Manual in digital format, so the resources that you find are reliable. There are also many Ebooks of related with Mastercraft Shallow Well Jet Pump Manual. Where to download Mastercraft Shallow Well Jet Pump Manual online for free? Are you looking for Mastercraft Shallow Well Jet Pump Manual PDF? This is definitely going to save you time and cash in something you should think about. If you trying to find then search around for online. Without a doubt there are numerous these available and many of them have the freedom. However without doubt you receive whatever you purchase. An alternate way to get ideas is always to check another Mastercraft Shallow Well Jet Pump Manual. This method for see exactly what may be included and adopt these ideas to your book. This site will almost certainly help you save time and effort, money and stress. If you are looking for free books then you really should consider finding to assist you try this. Several of Mastercraft Shallow Well Jet Pump Manual are for sale to free while some are payable. If you arent sure if the books you would like to download works with for usage along with your computer, it is possible to download free trials. The free guides make it easy for someone to free access online library for download books to your device. You can get free download on free trial for lots of books categories. Our library is the biggest of these that have literally hundreds of thousands of different products categories represented. You will also see that there are specific sites catered to different product types or categories, brands or niches related with Mastercraft Shallow Well Jet Pump Manual. So depending on what exactly you are searching, you will be able to choose e books to suit your own need. Need to access completely for Campbell Biology Seventh Edition book? Access Ebook

without any digging. And by having access to our ebook online or by storing it on your computer, you have convenient answers with Mastercraft Shallow Well Jet Pump Manual To get started finding Mastercraft Shallow Well Jet Pump Manual, you are right to find our website which has a comprehensive collection of books online. Our library is the biggest of these that have literally hundreds of thousands of different products represented. You will also see that there are specific sites catered to different categories or niches related with Mastercraft Shallow Well Jet Pump Manual So depending on what exactly you are searching, you will be able to choose ebook to suit your own need. Thank you for reading Mastercraft Shallow Well Jet Pump Manual. Maybe you have knowledge that, people have search numerous times for their favorite readings like this Mastercraft Shallow Well Jet Pump Manual, but end up in harmful downloads. Rather than reading a good book with a cup of coffee in the afternoon, instead they juggled with some harmful bugs inside their laptop. Mastercraft Shallow Well Jet Pump Manual is available in our book collection an online access to it is set as public so you can download it instantly. Our digital library spans in multiple locations, allowing you to get the most less latency time to download any of our books like this one. Merely said, Mastercraft Shallow Well Jet Pump Manual is universally compatible with any devices to read.

Find Mastercraft Shallow Well Jet Pump Manual :

nature scavenger hunt for kids

national certificate sales management n6 november 2013

national senior certificate grade11 november2013 mathematics p1 memo

naval academy application essay

national fire selection inventory study guide

native title report 2005

~~national board dental examination score report request~~

national maths paper november 2013

~~naughty new girlfriend 2 domestic discipline romance kinky sex nng book 1~~

~~national paper grade 11 physical sciences p2 november 2014~~

natural logarithms equations maze

natural born lawman

national geographic magazine 1978 may

~~naval afloat shopping guide 23~~

national honor society essay examples application examples

Mastercraft Shallow Well Jet Pump Manual :

e book surgical instruments e book google books - Jan 30 2023

web oct 4 2010 surgical instruments a pocket guide 4th edition is a quick go to source for information on over 160 of the most commonly used surgical instruments each two page spread features full color photos of an instrument and its tip if applicable and then describes how it is used its common variations and any alternative names

surgical instruments 9781437722499 us elsevier health - Jun 03 2023

web surgical instruments a pocket guide 4th edition is a quick go to source for information on over 160 of the most commonly used surgical instruments each two page spread features full color photos of an instrument and its tip if applicable and then describes how it is used its common variations and any alternative names

surgical instruments a pocket guide amazon in - May 22 2022

web oct 1 2010 amazon in buy surgical instruments a pocket guide book online at best prices in india on amazon in read surgical instruments a pocket guide book reviews author details and more at amazon in free delivery on qualified orders

surgical instruments a pocket guide spiral bound - Apr 20 2022

web minimally invasive surgical instruments chapter includes the leading robotic system and shows the most common instrument tips used to interface with the robot full color photographs make it easier to distinguish between different metal types for

surgical instruments 9781437722499 medicine health - May 02 2023

web oct 15 2010 surgical instruments a pocket guide 4th edition is a quick go to source for information on over 160 of the most commonly used surgical instruments each two page spread features full color photos of an instrument and its tip if applicable and then describes how it is used its common variations and any alternative names

surgical instruments a pocket guide google books - Jul 04 2023

web maryann papanier wells 2010 medical 449 pages make sure you can identify the many different types of surgical instruments surgical instruments a pocket guide 4th edition is a quick

surgical instruments a pocket guide 4e pdf unitedvrg - Nov 27 2022

web the publisher library of congress cataloging in publication data wells maryann m papanier surgical instruments a pocket guide maryann papanier wells 4th ed p cm includes bibliographical references and index isbn 978 1 4377 2249 9 alk paper 1 surgical instruments and apparatus handbooks manuals etc i title

surgical instruments 4th edition elsevier - Sep 06 2023

web oct 1 2010 surgical instruments a pocket guide 4th edition is a quick go to source for information on over 160 of the most commonly used surgical instruments each two page spread features full color photos of an instrument and its tip if

applicable and then describes how it is used its common variations and any alternative names

[surgical instruments a pocket guide google books](#) - Aug 05 2023

web an accessible pocket size guide to the most common bread and butter instruments used during surgical procedures

consistent two page layout with a photo at the top and a brief

surgical instruments a pocket guide semantic scholar - Jun 22 2022

web semantic scholar extracted view of surgical instruments a pocket guide by mary kay harvey rn bsn cnor skip to search

form skip to main content skip to account menu semantic scholar s logo search 214 515 928 papers from all fields of science

search sign in create free account

[surgical instruments a pocket guide 4e pdf unitedvrg](#) - Oct 07 2023

web this pocket guide examines some of the basic instruments used for operative and invasive procedures it is divided into

11 chapters chapter 1 sharps dissectors cutting reviews chisels curettes bone cutters elevators knives mallets osteotomes

rasps rongeurs saws scissors snares and trephines

surgical instruments 4th edition 9781437722499 elsevier - Apr 01 2023

web oct 1 2010 surgical instruments a pocket guide 4th edition is a quick go to source for information on over 160 of the

most commonly used surgical instruments each two page spread features full color photos of an instrument and its tip if

applicable and then describes how it is used its common variations and any alternative names

[surgical instruments a pocket guide goodreads](#) - Dec 29 2022

web nov 1 1992 this quick reference provides need to know information about surgical instrument types in a consistent user

friendly format each two page spread features a photo of an instrument opposite a brief description that includes its proper

and alternative names varieties and uses in surgery

surgical instruments a pocket guide 3rd edition amazon com - Sep 25 2022

web oct 21 2005 an accessible pocket size guide to the most common bread and butter instruments used during surgical

procedures consistent two page layout with a photo at the top and a brief description on the facing page that lists the

instrument s proper name any alternative names uses in surgery and varieties

surgical instruments a pocket guide google books - Oct 27 2022

web this affordable quick reference makes it simple to identify surgical instruments and become acquainted with their names

functions and the instrument sets in which they typically appear

[surgical instruments a pocket guide harvey 2006 aorn](#) - Aug 25 2022

web surgical instruments a pocket guide third edition maryann papanier wells 2006 496 pages 39 95 spiral bound surgical

instruments a pocket guide harvey 2006

[download pdf surgical instruments a pocket guide 4e pdf](#) - Mar 20 2022

web download surgical instruments a pocket guide 4e pdf unitedvrg this document was uploaded by user and they confirmed that they have the permission to share it if you are author or own the copyright of this book please report to us by using this dmca report form report dmca

[surgical instruments a pocket guide harvey aorn journal](#) - Jul 24 2022

web dec 5 2006 surgical instruments a pocket guide third edition maryann papanier wells 2006 496 pages 39 95 spiral bound surgical instruments a pocket guide harvey 2006 aorn journal wiley online library

[the basics of surgical instruments and their uses city college](#) - Feb 16 2022

web suturing or stapling instruments surgeons use suturing or stapling instruments to close a wound or rejoin tissue after an operation they include needle holders for suturing or sewing up a wound stapling devices are a frequent choice for surgeons for the same purpose because surgical stapling can be much quicker than suturing

surgical instruments a pocket guide spiral bound amazon co uk - Feb 28 2023

web surgical instruments a pocket guide 4th edition is a quick go to source for information on over 160 of the most commonly used surgical instruments each two page spread features full color photos of an instrument and its tip if applicable and then describes how it is used its common variations and any alternative names

eloise singer wikitia - Feb 06 2023

web jun 16 2022 eloise alexandra lamb born 26 september 1999 known professionally as eloise is an english singer and songwriter she rose to prominence after her rendition of bruno major s second time went viral on instagram in 2017 subsequently joining major on his us headline tour

[eloise paul ryan song wikipedia](#) - Apr 08 2023

web eloise is a song first released in 1968 on the mgm label it was sung by barry ryan and written by his twin brother paul ryan running for over five minutes it features strong orchestration melodramatic vocals and a brief slow interlude

[eloise the animated series wikipedia](#) - Mar 07 2023

web eloise the animated series or me eloise is an american children s animated comedy television series based on the eloise series of children s books drawn and written by kay thompson and hiliary knight 1 this series features the voices of mary matilyn mouser as eloise lynn redgrave as the nanny and tim curry as mr salamone

[eloise facts eloise at the museum exhibition at new york](#) - Jan 05 2023

web jun 16 2017 eloise was never supposed to be a children s book simon schuster the book s cover bears the caveat a book for precocious grown ups about a little girl who lives at the plaza hotel

[eloise books wikipedia](#) - Oct 14 2023

web eloise in paris 1957 eloise at christmastime 1958 eloise in moscow 1959 eloise takes a bawth 2002 posthumously published subsequent other modern eloise titles released by simon schuster include eloise s guide to life 2000 eloise at christmas 2003 eloise s what i absolutely love love love 2005 and love kisses eloise

eloise barry ryan 1948 2021 youtube - Jul 11 2023

web nov 18 2011 a 1968 hit for barry ryan written by his brother paul watch out for the blond head banger kneeling stage left he might have someone s eye out every night

home eloise - Jun 10 2023

web eloise is the irreverent and irrepressible fictional heroine of kay thompson s classic book series she is a fun loving six year old girl with a knack for finding adventure every place she looks your browser does not support the audio player learn more

eloise given name wikipedia - Aug 12 2023

web eloise is a female given name the english version of the french name Éloïse or h lo ise it is of uncertain meaning but may be derived from the old german name helewidis which meant healthy and wide

eloise name meaning what does eloise mean think baby - May 09 2023

web what does eloise mean e loise as a girls name is pronounced el o wee it is of old german origin and the meaning of eloise is famous warrior  lo ise is the french variant of louise feminine of louis via the proven al form aloys feminine aloyse

eloise baby name meaning origin and popularity nameberry - Sep 13 2023

web nov 9 2023 eloise origin and meaning the name eloise is girl s name of french english origin meaning healthy wide along with many other names with the el beginning and featuring the l sound in any place eloise is newly chic eloise reentered the us top 1000 girl names in 2009 after a 50 year nap and broke into the top 100 in 2022

poles and gridwork threshold picture guide paperback - Jun 15 2023

web buy poles and gridwork threshold picture guide reprint by jane wallace carole vincer isbn 9781872082448 from amazon s book store everyday low prices and free delivery on eligible orders

poles and gridwork threshold picture guides abebooks - Mar 12 2023

web abebooks com poles and gridwork threshold picture guides new copy customer service guaranteed poles and gridwork threshold picture guides by wallace jane new paperback 1998 goldbooks

poles and gridwork threshold picture guide paperback - Aug 05 2022

web poles and gridwork threshold picture guide wallace jane vincer carole amazon in books

poles and gridwork threshold picture guide by wallace jane - Sep 06 2022

web buy poles and gridwork threshold picture guide by wallace jane 1998 by isbn from amazon s book store everyday low

prices and free delivery on eligible orders

poles and gridwork threshold picture guides goodreads - Jul 16 2023

web progressive exercises over poles and simple fences designed to improve suppleness and jumping skills in horse and rider chapters include trotting poles simple grids bounces jumping on the angle and turning exercises

governors industrial safety and health advisory board - Apr 01 2022

web governors industrial safety and health advisory board

poles and gridwork threshold picture guides abebooks - Feb 11 2023

web title poles and gridwork threshold picture guides publisher kenilworth press publication date 1998 binding soft cover illustrator vincer carole book condition

poles and gridwork threshold picture guides amazon com - Aug 17 2023

web jan 1 1998 poles and gridwork threshold picture guides paperback january 1 1998 by jane wallace author carole vincer illustrator 4 6 104 ratings book 6 of 13 threshold picture guides see all formats and editions kindle 8 27 read with our free app paperback 5 98 23 used from 2 22

framework for measuring the resilience of utility poles of an - Feb 28 2022

web may 24 2019 the utility poles of an electric power distribution system are frequently damaged by wind related disasters this study notes that the wooden poles are particularly vulnerable to such disasters and the failures of the poles can cause a network level failure leading to short or long term power outages

poles and gridwork threshold picture guide open library - May 14 2023

web poles and gridwork threshold picture guide by jane wallace june 1993 half halt press edition paperback in english

poles and gridwork threshold picture guide by jane wallace - Oct 07 2022

web buy poles and gridwork threshold picture guide by jane wallace 1998 01 03 by isbn from amazon s book store everyday low prices and free delivery on eligible orders

poles and gridwork 22 more outrageously unique - Jul 04 2022

web poles and gridwork 22 more outrageously unique knitting patterns threshold picture guides book 26 ebook wallace jane vincer carole amazon in kindle store

poles and gridwork abebooks - Apr 13 2023

web poles and gridwork threshold picture guide by jane wallace and a great selection of related books art and collectibles available now at abebooks com

poles and gridwork threshold picture guide amazon com tr - Sep 18 2023

web poles and gridwork threshold picture guide jane wallace amazon com tr kitap

poles and gridwork threshold picture guides abebooks - Dec 09 2022

web poles and gridwork threshold picture guides wallace jane 3 86 avg rating 7 ratings by goodreads softcover isbn 10 1872082440 isbn 13 9781872082448 publisher kenilworth press 1998 this specific isbn edition is currently not available view all copies of this isbn edition synopsis

poles and gridwork threshold picture guides book perry wood - May 02 2022

web guide poles and gridwork threshold picture guides book as you such as by searching the title publisher or authors of guide you in point of fact want you can discover them rapidly in the house workplace or perhaps in your method can be every best place within net connections

poles and gridwork 22 more outrageously unique - Nov 08 2022

web poles and gridwork 22 more outrageously unique knitting patterns threshold picture guides book 26 ebook wallace jane vincer carole amazon co uk kindle store

drawing for single pole structure set on 9mtr - Jan 30 2022

web 600mm from pole section plan bb psc pole section plan xx section plan aa support structure for transformer support structure for gos hg fuse la gos angle chd sub scale n t s signatures approved bescom agm qs s dgm qs s h frame section plan cc drawing for single set on 9mtr 300 kg wl pole structure psc pole for 25 kva 4 5

poles and gridwork threshold picture guide abebooks - Jan 10 2023

web 26 poles and gridwork progressive exercises over poles and simple fences designed to improve suppleness and jumping skills in horse and rider negotiating a single pole on the ground trotting poles canter poles on a circle cantering over a small fence simple grids bounces grid layouts jumping on the angle turning exercise

poles and gridwork 22 more outrageously unique - Jun 03 2022

web poles and gridwork 22 more outrageously unique knitting patterns threshold picture guides book 26 english edition ebook wallace jane vincer carole amazon es tienda kindle