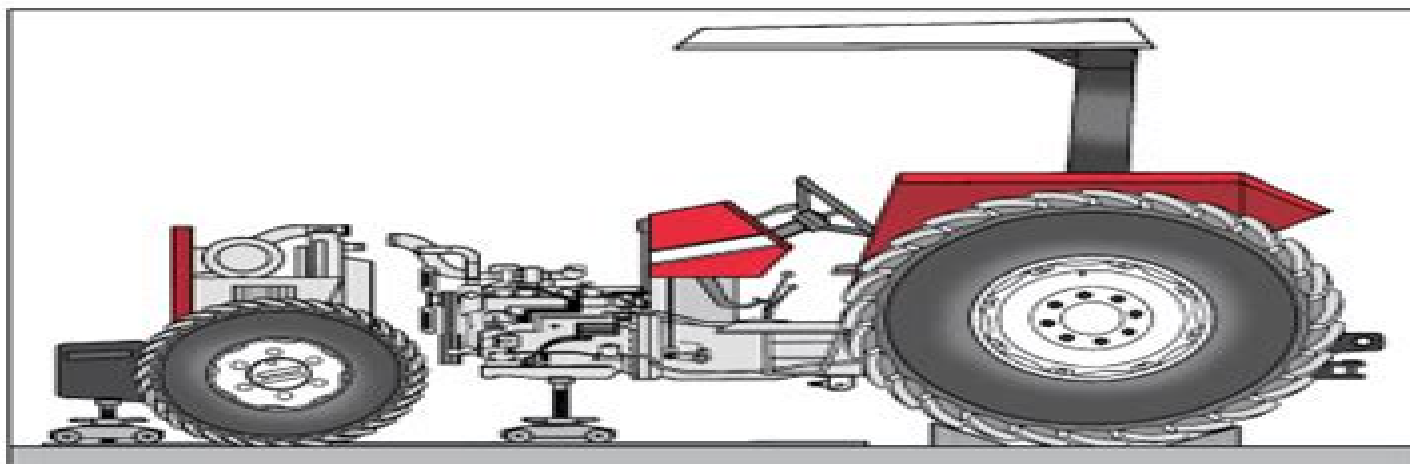


2 - Splitting the tractor between the engine and the front axle



NOTE:

Position the tractor onto the rails and trolleys (rolling stands) as shown on the illustration above:

Remove the sheet metal from the front hood - Refer to Chapter 6 of this Module.

If the front axle is not equipped with front mounted weights, the trolley should be positioned under the support (sump) behind the axle.

- a) Support the front axle beam (2WD or 4WD) with wooden wedges (1), on both sides, to ensure the side balance of the front assembly.
- b) Remove the front hood assy - refer to chapter 6 of this module.
- c) Disconnect the main electrical plug (2) from the tractor front side.



Massey Ferguson 475 Shop Manual

Julia Schneider



Massey Ferguson 475 Shop Manual:

Motor's Truck & Tractor Repair Manual ,1971 **I & T Shop Service** ,1993 **Manual of Revegetation Techniques**
Stephen G. Long,1984 **Power Farming in Australia and New Zealand Technical Manual** ,1989 **Motor Truck**
Repair Manual Michael J. Kromida,1983-05 *Forthcoming Books* Rose Army,2001-08 *Farm Journal* ,1998
Implement & Tractor Red Book ,1977 Official Telephone Directory ,1982 **Progressive Farmer** ,1996
Moody's Industrial Manual ,1959 Labor Relations Reference Manual ,1988 Vols 9 17 include decisions of the War
Labor Board **Farmer's Weekly** ,1955 **The Engineer** ,1883 *Public Works Manual* ,1989 **Resources in**
Women's Educational Equity ,1980 *I & T Shop Service* , **Principles of Modern Management** Samuel C.
Certo,Steven H. Appelbaum,1986 **Farmers and Consumers Market Bulletin** ,2011 **Suffolk County Farm and**
Home Bureau News ,1990

Thank you for downloading **Massey Ferguson 475 Shop Manual**. Maybe you have knowledge that, people have look numerous times for their chosen novels like this Massey Ferguson 475 Shop Manual, but end up in malicious downloads. Rather than enjoying a good book with a cup of coffee in the afternoon, instead they are facing with some infectious virus inside their computer.

Massey Ferguson 475 Shop Manual is available in our book collection an online access to it is set as public so you can get it instantly.

Our book servers saves in multiple countries, allowing you to get the most less latency time to download any of our books like this one.

Kindly say, the Massey Ferguson 475 Shop Manual is universally compatible with any devices to read

https://www.splashdogs.com/data/uploaded-files/default.aspx/Gui_For_Diploma_Lab_Manual.pdf

Table of Contents Massey Ferguson 475 Shop Manual

1. Understanding the eBook Massey Ferguson 475 Shop Manual
 - The Rise of Digital Reading Massey Ferguson 475 Shop Manual
 - Advantages of eBooks Over Traditional Books
2. Identifying Massey Ferguson 475 Shop Manual
 - Exploring Different Genres
 - Considering Fiction vs. Non-Fiction
 - Determining Your Reading Goals
3. Choosing the Right eBook Platform
 - Popular eBook Platforms
 - Features to Look for in an Massey Ferguson 475 Shop Manual
 - User-Friendly Interface
4. Exploring eBook Recommendations from Massey Ferguson 475 Shop Manual
 - Personalized Recommendations

- Massey Ferguson 475 Shop Manual User Reviews and Ratings
- Massey Ferguson 475 Shop Manual and Bestseller Lists
- 5. Accessing Massey Ferguson 475 Shop Manual Free and Paid eBooks
 - Massey Ferguson 475 Shop Manual Public Domain eBooks
 - Massey Ferguson 475 Shop Manual eBook Subscription Services
 - Massey Ferguson 475 Shop Manual Budget-Friendly Options
- 6. Navigating Massey Ferguson 475 Shop Manual eBook Formats
 - ePub, PDF, MOBI, and More
 - Massey Ferguson 475 Shop Manual Compatibility with Devices
 - Massey Ferguson 475 Shop Manual Enhanced eBook Features
- 7. Enhancing Your Reading Experience
 - Adjustable Fonts and Text Sizes of Massey Ferguson 475 Shop Manual
 - Highlighting and Note-Taking Massey Ferguson 475 Shop Manual
 - Interactive Elements Massey Ferguson 475 Shop Manual
- 8. Staying Engaged with Massey Ferguson 475 Shop Manual
 - Joining Online Reading Communities
 - Participating in Virtual Book Clubs
 - Following Authors and Publishers Massey Ferguson 475 Shop Manual
- 9. Balancing eBooks and Physical Books Massey Ferguson 475 Shop Manual
 - Benefits of a Digital Library
 - Creating a Diverse Reading Collection Massey Ferguson 475 Shop Manual
- 10. Overcoming Reading Challenges
 - Dealing with Digital Eye Strain
 - Minimizing Distractions
 - Managing Screen Time
- 11. Cultivating a Reading Routine Massey Ferguson 475 Shop Manual
 - Setting Reading Goals Massey Ferguson 475 Shop Manual
 - Carving Out Dedicated Reading Time
- 12. Sourcing Reliable Information of Massey Ferguson 475 Shop Manual
 - Fact-Checking eBook Content of Massey Ferguson 475 Shop Manual

- Distinguishing Credible Sources
- 13. Promoting Lifelong Learning
 - Utilizing eBooks for Skill Development
 - Exploring Educational eBooks
- 14. Embracing eBook Trends
 - Integration of Multimedia Elements
 - Interactive and Gamified eBooks

Massey Ferguson 475 Shop Manual Introduction

Massey Ferguson 475 Shop Manual Offers over 60,000 free eBooks, including many classics that are in the public domain. Open Library: Provides access to over 1 million free eBooks, including classic literature and contemporary works. Massey Ferguson 475 Shop Manual Offers a vast collection of books, some of which are available for free as PDF downloads, particularly older books in the public domain. Massey Ferguson 475 Shop Manual : This website hosts a vast collection of scientific articles, books, and textbooks. While it operates in a legal gray area due to copyright issues, its a popular resource for finding various publications. Internet Archive for Massey Ferguson 475 Shop Manual : Has an extensive collection of digital content, including books, articles, videos, and more. It has a massive library of free downloadable books. Free-eBooks Massey Ferguson 475 Shop Manual Offers a diverse range of free eBooks across various genres. Massey Ferguson 475 Shop Manual Focuses mainly on educational books, textbooks, and business books. It offers free PDF downloads for educational purposes. Massey Ferguson 475 Shop Manual Provides a large selection of free eBooks in different genres, which are available for download in various formats, including PDF. Finding specific Massey Ferguson 475 Shop Manual, especially related to Massey Ferguson 475 Shop Manual, might be challenging as theyre often artistic creations rather than practical blueprints. However, you can explore the following steps to search for or create your own Online Searches: Look for websites, forums, or blogs dedicated to Massey Ferguson 475 Shop Manual, Sometimes enthusiasts share their designs or concepts in PDF format. Books and Magazines Some Massey Ferguson 475 Shop Manual books or magazines might include. Look for these in online stores or libraries. Remember that while Massey Ferguson 475 Shop Manual, sharing copyrighted material without permission is not legal. Always ensure youre either creating your own or obtaining them from legitimate sources that allow sharing and downloading. Library Check if your local library offers eBook lending services. Many libraries have digital catalogs where you can borrow Massey Ferguson 475 Shop Manual eBooks for free, including popular titles. Online Retailers: Websites like Amazon, Google Books, or Apple Books often sell eBooks. Sometimes, authors or publishers offer promotions or free periods for certain books. Authors Website Occasionally, authors provide excerpts or short

stories for free on their websites. While this might not be the Massey Ferguson 475 Shop Manual full book, it can give you a taste of the authors writing style. Subscription Services Platforms like Kindle Unlimited or Scribd offer subscription-based access to a wide range of Massey Ferguson 475 Shop Manual eBooks, including some popular titles.

FAQs About Massey Ferguson 475 Shop Manual Books

How do I know which eBook platform is the best for me? Finding the best eBook platform depends on your reading preferences and device compatibility. Research different platforms, read user reviews, and explore their features before making a choice. Are free eBooks of good quality? Yes, many reputable platforms offer high-quality free eBooks, including classics and public domain works. However, make sure to verify the source to ensure the eBook credibility. Can I read eBooks without an eReader? Absolutely! Most eBook platforms offer webbased readers or mobile apps that allow you to read eBooks on your computer, tablet, or smartphone. How do I avoid digital eye strain while reading eBooks? To prevent digital eye strain, take regular breaks, adjust the font size and background color, and ensure proper lighting while reading eBooks. What the advantage of interactive eBooks? Interactive eBooks incorporate multimedia elements, quizzes, and activities, enhancing the reader engagement and providing a more immersive learning experience. Massey Ferguson 475 Shop Manual is one of the best book in our library for free trial. We provide copy of Massey Ferguson 475 Shop Manual in digital format, so the resources that you find are reliable. There are also many Ebooks of related with Massey Ferguson 475 Shop Manual. Where to download Massey Ferguson 475 Shop Manual online for free? Are you looking for Massey Ferguson 475 Shop Manual PDF? This is definitely going to save you time and cash in something you should think about. If you trying to find then search around for online. Without a doubt there are numerous these available and many of them have the freedom. However without doubt you receive whatever you purchase. An alternate way to get ideas is always to check another Massey Ferguson 475 Shop Manual. This method for see exactly what may be included and adopt these ideas to your book. This site will almost certainly help you save time and effort, money and stress. If you are looking for free books then you really should consider finding to assist you try this. Several of Massey Ferguson 475 Shop Manual are for sale to free while some are payable. If you arent sure if the books you would like to download works with for usage along with your computer, it is possible to download free trials. The free guides make it easy for someone to free access online library for download books to your device. You can get free download on free trial for lots of books categories. Our library is the biggest of these that have literally hundreds of thousands of different products categories represented. You will also see that there are specific sites catered to different product types or categories, brands or niches related with Massey Ferguson 475 Shop Manual. So depending on what exactly you are searching, you will be able to choose e books to suit your own need. Need to access completely for Campbell Biology

Seventh Edition book? Access Ebook without any digging. And by having access to our ebook online or by storing it on your computer, you have convenient answers with Massey Ferguson 475 Shop Manual To get started finding Massey Ferguson 475 Shop Manual, you are right to find our website which has a comprehensive collection of books online. Our library is the biggest of these that have literally hundreds of thousands of different products represented. You will also see that there are specific sites catered to different categories or niches related with Massey Ferguson 475 Shop Manual So depending on what exactly you are searching, you will be able to choose ebook to suit your own need. Thank you for reading Massey Ferguson 475 Shop Manual. Maybe you have knowledge that, people have search numerous times for their favorite readings like this Massey Ferguson 475 Shop Manual, but end up in harmful downloads. Rather than reading a good book with a cup of coffee in the afternoon, instead they juggled with some harmful bugs inside their laptop. Massey Ferguson 475 Shop Manual is available in our book collection an online access to it is set as public so you can download it instantly. Our digital library spans in multiple locations, allowing you to get the most less latency time to download any of our books like this one. Merely said, Massey Ferguson 475 Shop Manual is universally compatible with any devices to read.

Find Massey Ferguson 475 Shop Manual :

gui for diploma lab manual

[guess the name of the teddy grid](#)

[*guarded conversations english edition*](#)

[grove rt540e parts manual](#)

[*guide fred and theresa holtzclaw answers*](#)

[~~guide for interior door card on a 2001 buick park avenue~~](#)

[*grove rt760e safety manual*](#)

[~~growing roots ect colouring pages~~](#)

[grundig car 200 manual](#)

[~~guide for wiring house~~](#)

growing up book russell baker summary

[guide discussion forums](#)

[*guide for solving punnett squares*](#)

[~~guerrilla girl starport book 2~~](#)

[~~guam u s defense deployments crs reports~~](#)

Massey Ferguson 475 Shop Manual :

holy bible in audio libby - Aug 03 2022

web jan 1 2015 now over 400 years old the king james version has been shaping christians for centuries with it s majesty and solemnity narrator david cochran heath brings his voice of clarity and warmth making listening an experience the hearer will want to return to again and again

the holy bible in audio king james version audible com - Apr 11 2023

web the holy bible in audio king james version as it s meant to be heard narrated by david cochran heath discover the english audiobook at audible free trial available

the holy bible in audio king james version the amazon co - Jan 08 2023

web the king james version has continued to this day to be one of the most beloved and widely sought after translations of the bible into the english language now over 400 years old the king james version has been shaping

audio bible app king james version kjv download the free bible - Mar 10 2023

web kjv audio bible listen online for free or download the youversion bible app and listen to audio bibles on your phone with the 1 rated bible app

the holy bible in audio king james version john - Mar 30 2022

web jan 1 2015 the apostle john shares with us his main goal that you may believe that jesus is the christ the son of god and that by believing you may have life in his name john 20 31 john states that jesus is the son of god whom the father sent to us to accomplish something no one else could follow john as he prepares the way for the

the holy bible king james version with audio apple books - Nov 06 2022

web king james version bible with audio is a pocket bible solution great audio quality the authorized version commonly known as the king james version the king james bible or simply the kjv is an english translation by the church of england of the christian bible begun in 1604 and completed in 1611

official king james bible online authorized king james version - Jan 28 2022

web sep 15 2023 king james bible online authorized king james version kjv of the bible the preserved and living word of god includes 1611 kjv and 1769 cambridge kjv

holy bible in audio king james version audiobook speechify - Dec 27 2021

web jan 1 2015 holy bible in audio king james version audiobook summary in light of jesus second coming we should not be compelled to hide out until his return rather we should be actively participating in his restoration plan for the world as we wait in anticipation

king james audio kjv bible apps on google play - Feb 26 2022

web sep 6 2023 king james bible this king james version bible app was created to give everyone a new experience of studying the holy bible kjv enjoy this holy bible kjv application in android for free which contains the old testament and new testament with text and audio version all in english

the holy bible in audio king apps on google play - Jun 01 2022

web jul 29 2019 also known as kjv bible this bible app contains the king james version of the bible also known as the authorized version have the holy bible at your fingertips anytime and anywhere you go the old testament and the new testament main features works offline listeing all bible chapter offline

king james version kjv audio bible listen free online - Aug 15 2023

web several versions of the king james bible kjv were produced in 1611 1629 1638 1762 and 1769 the 1769 edition is most commonly cited as the king james version kjv you can browse the kjv bible verses by using the chapters listed below or use our bible search feature at the top of this page

the holy bible in audio king james version audible com au - Sep 04 2022

web the holy bible in audio king james version as it s meant to be heard narrated by david cochran heath discover the english audiobook at audible free trial available

[the holy bible in audio king james version audible ca](#) - Oct 05 2022

web the holy bible in audio king james version as it s meant to be heard narrated by david cochran heath discover the english audiobook at audible free trial available

audio bible in the english language king james version - Jun 13 2023

web bibles audio verses multi resources search home bibles audio english audio bible james 1 peter 2 peter 1 john 2 john 3 john jude revelation now in a new improved format for the android version download from google play download from app store download in

holy bible in audio king james version the complete old - May 12 2023

web holy bible in audio king james version the complete old new testament audiobook written by david cochran heath narrated by david cochran heath get instant access to all your

the holy bible in audio king james version audible uk - Dec 07 2022

web the holy bible in audio king james version the complete old new testament by king james bible narrated by david cochran heath length 72 hrs and 1 min 4 4 56 ratings try for 0 00 prime member exclusive pick 2 free titles with trial thousands of incredible audiobooks and podcasts to take wherever you go

listen free to holy bible in audio king james version the complete - Feb 09 2023

web jan 1 2015 listen free to holy bible in audio king james version the complete old new testament audiobook by david

cochran heath with a 30 day free trial stream and download audiobooks to your computer tablet and ios and android devices
[holy bible audio king james version 4 app store](#) - Apr 30 2022

web aug 3 2017 the holy bible king james version is beautiful awesome easy to use full featured tecarta bible app design for quick navigation and powerful bible study this app help you finish the journey to god efficiently key features of the app synchronized voice text read or play the voice tap on play it will start playing the synchronized

free audio bible king james bible hear and read the kjv bible - Jul 14 2023

web the king james bible online is a free kjv audio bible the audio bible kjv has the text and audio bible files linked together click the chapter links below to enjoy listening and reading the bible together we hope this free kjv online bible is a blessing to you genesis 1 2 3 4 5 6 7 8 9 10 11 12 13 14

[holy bible in audio king james version james audible com](#) - Jul 02 2022

web sample holy bible in audio king james version james by king james bible narrated by david cochran heath length 13 mins 5 0 8 ratings try for 0 00 access a growing selection of included audible originals audiobooks and podcasts you will get an email reminder before your trial ends your plus plan is 7 95 a month after 30 day trial

the pharmacy informatics primer pmc national center for - Jun 19 2023

web jul 7 2009 this makes the book particularly useful for those pharmacists involved with implementation of new informatics initiatives at their institution given its practical orientation the pharmacy informatics primer would

[the pharmacy informatics primer sciencegate](#) - May 06 2022

web find the latest published papers in the pharmacy informatics primer top authors related hot topics the most cited papers and related journals

index in the pharmacy informatics primer ashp - Mar 16 2023

web chapter 1 computerized provider order entry chapter 2 eprescribing chapter 3 clinical decision support chapter 4 pharmacy information systems chapter 5 pharmacy automation systems chapter 6 bar code medication scanning at the point of care chapter 7 smart pump technology chapter 8 system maintenance

[the pharmacy informatics primer goodreads](#) - Oct 11 2022

web jan 30 2008 the pharmacy informatics primer provides a foundational understanding and offers pearls of wisdom for pharmacy professionals involved in informatics

data analytics ashp - Jul 08 2022

web the pharmacy informatics primer view product link the whole card sopit on connect member only section discussions blogs and announcements on ashp connect member log in link the whole card about ashp we represent pharmacists who serve as patient care providers in acute and ambulatory settings

the pharmacy informatics primer google books - Jul 20 2023

web sep 30 2008 the pharmacy informatics primer doina dumitru ashp sep 30 2008 medical 264 pages the information technology revolution has fueled the demand in hospitals and health systems for

pharmacy automation medication management technologies - Nov 12 2022

web automation and medication management technologies computerized drug storage devices or cabinets that allow medications to be stored and dispensed near the point of care while controlling and tracking drug distribution

the pharmacy informatics primer doina dumitru google books - Dec 13 2022

web may 14 2014 this introductory resource outlines key concepts in understanding developing implementing and maintaining clinical information and automation systems this essential guide is designed for all

conhs141438 pharmacy informatics docx 1 course hero - Mar 04 2022

web mar 3 2022 what is pharmacy informatics pharmacy informatics is defined as the scientific field that focuses on medication related data and knowledge within the continuum of healthcare system including its acquisition storage analysis use and dissemination in the delivery of optimal medication related patient care and health outcomes a

the pharmacy informatics primer ashp - Oct 23 2023

web glossary adverse drug event an injury resulting from a medication or lack of intended medication affected systems identification of pharmacy information automation systems as well as hospital information systems that support pharmacy operations and the medication use process

career in informatics ashp - Jan 14 2023

web pharmacy informatics is a science art and niche of pharmacy practice dedicated to improving health and ensuring the value of the medication use process through health information technology

clinical decision support ashp - Sep 10 2022

web clinical decision support view related links clinical decision support cds provides clinicians staff patients or other individuals with knowledge and person specific information intelligently filtered and presented at appropriate times to enhance health and healthcare

chapter 1 computerized provider order entry ashp - Feb 15 2023

web the pharmacy informatics primer n 3 ent interpretations including computerized prescription order entry computerized physician order entry and computerized provider order entry we use the latter to emphasize that orders may be entered by physicians physicians assistants nurse practitioners and other licensed independent

what is pharmacy informatics ppt slideshare - Apr 05 2022

web mar 17 2011 70 likes 41 077 views download now download to read offline health medicine presentation done by ben

philip p4 pharmacy student at texas southern university college of pharmacy in houston tx p pillguy computer software used in pharmcay and pharmaceutical research shweta patel sources of drug

the pharmacy informatics primer amazon com - May 18 2023

web sep 30 2008 as the use of it in healthcare expands and the complexity of medication therapy increases there has been a correspondingly rapid growth in the practice of pharmacy informatics and a basic need for an understanding of key elements the pharmacy informatics primer provides a foundational understanding and offers pearls

the pharmacy informatics primer abstract europe pmc - Aug 09 2022

web jul 10 2009 the pharmacy informatics primer 2008 bethesda md american society of health system pharmacists 264 49 00 paperback isbn 978 1 58528 166 4 author information copyright and license information despite increasing involvement of pharmacists in informatics there are relatively few formal sources for information about

s1w1 reading pharmacists role clinical informatics studocu - Jun 07 2022

web despite the growing number of formally trained pharmacy informaticists the path and skills required for a career in informatics have varied considerably emphasizing the need to build core competencies and grow the number of available programs 6 the american board of medical specialties abms recognition of clinical informatics as a physician

pdf the pharmacy informatics primer researchgate - Aug 21 2023

web pdf on jul 10 2009 spencer e harpe published the pharmacy informatics primer find read and cite all the research you need on researchgate

informatics fundamentals standards and best practices ashp - Apr 17 2023

web e prescribing electronic prescribing history and standards supplementary resources ashp section of pharmacy informatics and technology resource center s promoting interoperability programs additional reading prescription drug monitoring programs the pharmacy informatics primer

the pharmacy informatics primer ashp - Sep 22 2023

web developed to provide a foundational understanding and pearls of wisdom the pharmacy informatics primer introduces concepts critical to understanding developing implementing and maintaining clinical information and automation systems table of contents downloadable files

food anatomy by julia rothman ebook ebooks com - Oct 04 2022

web get your recommended daily allowance of facts and fun with food anatomy the third book in julia rothman s best selling anatomy series she starts with an illustrated history of food and ends with a global tour of street eats

food notebook companion to food anatomy daily skill building - Aug 02 2022

web food anatomy will whisk you around the world to study fruits vegetables grains meat dairy snacks seasonings drinks and

desserts don't forget to save room for the food notebook a publisher approved notebook companion to food anatomy by julia rothman sold separately

food anatomy the curious parts pieces of our edible world goodreads - Aug 14 2023

web nov 15 2016 578 reviews 991 followers october 30 2016 julia rothman dishes up a beautifully illustrated guide to the basics of food and food preparation in her new installment food anatomy the third in her anatomy series she covers a broad scope of topics from food groups to spices to desserts and alcohol

food anatomy the curious parts pieces of our edible world - Dec 06 2022

web nov 23 2016 food anatomy the curious parts pieces of our edible world kindle edition by rothman julia download it once and read it on your kindle device pc phones or tablets use features like bookmarks note taking and highlighting while reading food anatomy the curious parts pieces of our edible world

food anatomy by julia rothman hachette book group - Jan 07 2023

web nov 23 2016 get your recommended daily allowance of facts and fun with food anatomy the third book in julia rothman's best selling anatomy series she starts with an illustrated history of food and ends with a global tour of street eats

food anatomy your favourite local dishes shaped into bite - Sep 03 2022

web feb 9 2017 food anatomy tanjong pagar centre b2 04 1 wallich street singapore 757492 opening hours monday friday 7 30am 10pm saturday 11am 10pm closed on sundays website written by ynez wahab avid reader music junkie foodie also has feelings that are too real for characters that are fictional

food anatomy julia rothman - Jul 13 2023

web the brooklyn illustrator has done two books that are in the food realm farm anatomy and nature anatomy and her third food anatomy out now 16 95 is all about how we eat from place settings to exotic fruits to sandwiches of the world to common cakes

a brief history of food no big deal bon appétit - Nov 05 2022

web nov 15 2016 food anatomy is out today and you can find it on amazon but if you're looking for a great foodie gift check out the julia rothman collection which includes her three books food anatomy nature

24 7 nutrition and diet anatomy physiology - Jul 01 2022

web they have put the recommended elements of a healthy meal into the context of a place setting of food myplate categorizes food into the standard six food groups fruits vegetables grains protein foods dairy and oils

your digestive system how it works niddk - Mar 29 2022

web the digestive system bacteria in your gi tract also called gut flora or microbiome help with digestion parts of your nervous and circulatory systems also help working together nerves hormones bacteria blood and the organs of your digestive

system digest the foods and liquids you eat or drink each day why is digestion important

food anatomy the curious parts pieces of our edible world - Feb 08 2023

web food anatomy the curious parts pieces of our edible world paperback illustrated 1 december 2016 best selling author and noted illustrator of nature anatomy julia rothman takes her pen into the kitchen with this charming

food anatomy storey publishing - Apr 10 2023

web get your recommended daily allowance of facts and fun with food anatomy the third book in julia rothman s best selling anatomy series she starts with an illustrated history of food and ends with a global tour of street eats

food anatomy the curious parts pieces of our edible world - May 11 2023

web storey publishing nov 16 2016 cooking 224 pages get your recommended daily allowance of facts and fun with food anatomy the third book in julia rothman s best selling anatomy series she starts with an illustrated history of food and ends with a global tour of street eats

food for thought anatomy of food labels - May 31 2022

web mar 23 2021 anatomy of food labels what goes into a food label from sneaky allergens to important info batch no here s how reading food labels can help us make safer and healthier food choices by singapore food agency published 23 mar 2021

food anatomy the curious parts pieces of our edible world - Jun 12 2023

web nov 15 2016 get your recommended daily allowance of facts and fun with food anatomy the third book in julia rothman s best selling anatomy series she starts with an illustrated history of food and ends with a global tour of street eats

food anatomy the curious parts pieces of our edible world - Oct 16 2023

web nov 15 2016 get your recommended daily allowance of facts and fun with food anatomy the third book in julia rothman s best selling anatomy series she starts with an illustrated history of food and ends with a global tour of street eats

food anatomy eresources - Feb 25 2022

web food anatomy is a food store which provides healthy and hearty bowls to customisable salad and desert for individual s preferences the website contains information about the food store its food and contact details

food anatomy the curious parts pieces of our edible world - Mar 09 2023

web nov 15 2016 product details about the author julia rothman is a highly acclaimed contemporary illustrator and author of many best selling books including nature anatomy farm anatomy ocean anatomy food anatomy nature anatomy notebook and wildlife anatomy her illustrated column scratch is featured biweekly in the sunday new york

food anatomy timbre 22 reviews photos menu opening - Apr 29 2022

web food anatomy timbre reviews q a contact this restaurant has permanently closed find similar interesting restaurant food anatomy timbre 13 food anatomy timbre location food anatomy timbre menus sets a la carte menu ocean bowl

food anatomy the curious parts pieces of our edible world - Sep 15 2023

web along the way rothman serves up a hilarious primer on short order egg lingo and a mouthwatering menu of how people around the planet serve fried potatoes and what we dip them in award winning food journalist rachel wharton lends her expertise to this light hearted exploration of everything food that bursts with little known facts and delight