

Covers

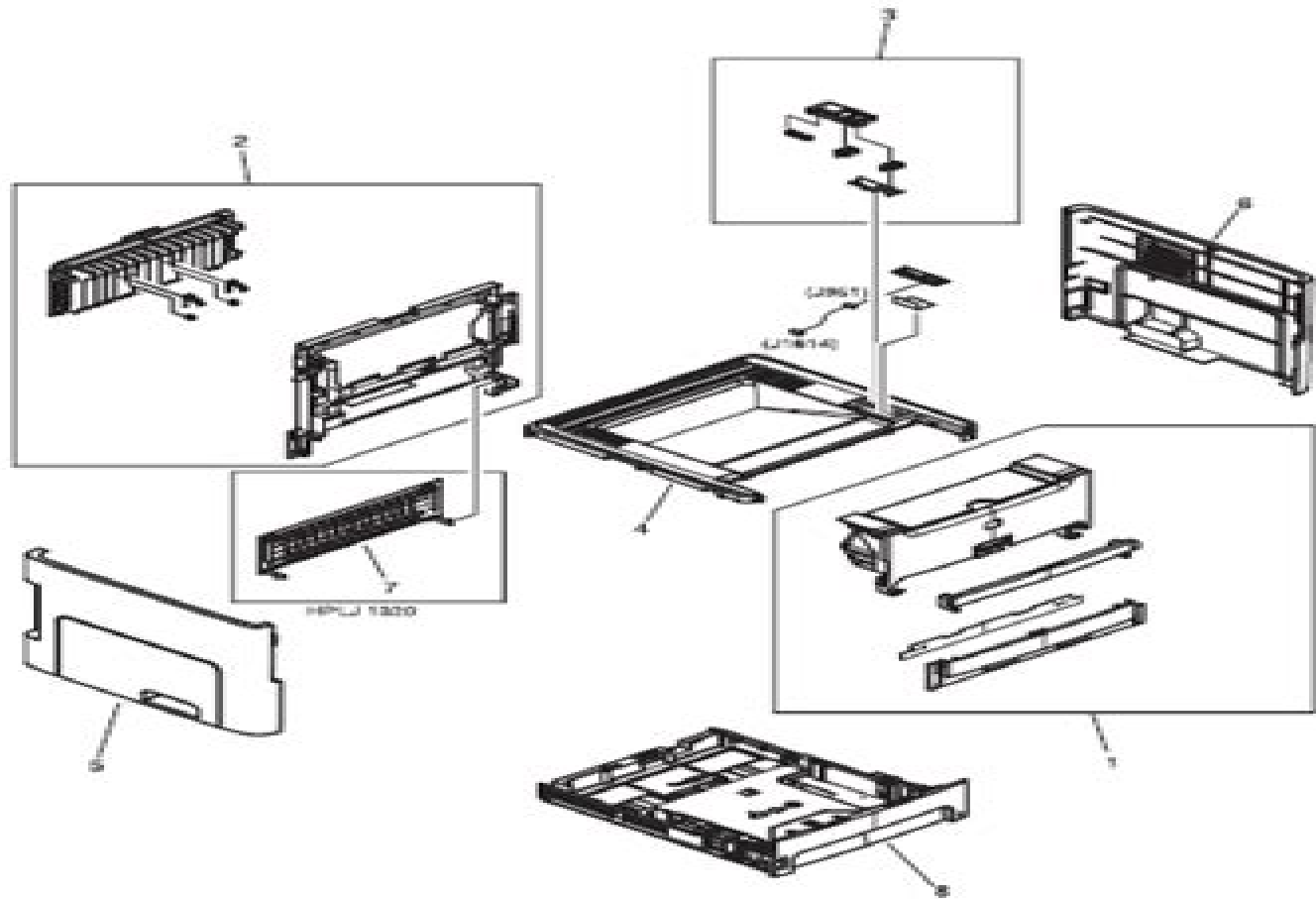


Figure 8-3. Covers

Laserjet 1320 Service Manual

L Darling-Hammond



Laserjet 1320 Service Manual:

This book delves into Laserjet 1320 Service Manual. Laserjet 1320 Service Manual is an essential topic that must be grasped by everyone, ranging from students and scholars to the general public. This book will furnish comprehensive and in-depth insights into Laserjet 1320 Service Manual, encompassing both the fundamentals and more intricate discussions.

1. The book is structured into several chapters, namely:
 - Chapter 1: Introduction to Laserjet 1320 Service Manual
 - Chapter 2: Essential Elements of Laserjet 1320 Service Manual
 - Chapter 3: Laserjet 1320 Service Manual in Everyday Life
 - Chapter 4: Laserjet 1320 Service Manual in Specific Contexts
 - Chapter 5: Conclusion
2. In chapter 1, the author will provide an overview of Laserjet 1320 Service Manual. This chapter will explore what Laserjet 1320 Service Manual is, why Laserjet 1320 Service Manual is vital, and how to effectively learn about Laserjet 1320 Service Manual.
3. In chapter 2, this book will delve into the foundational concepts of Laserjet 1320 Service Manual. The second chapter will elucidate the essential principles that need to be understood to grasp Laserjet 1320 Service Manual in its entirety.
4. In chapter 3, the author will examine the practical applications of Laserjet 1320 Service Manual in daily life. The third chapter will showcase real-world examples of how Laserjet 1320 Service Manual can be effectively utilized in everyday scenarios.
5. In chapter 4, the author will scrutinize the relevance of Laserjet 1320 Service Manual in specific contexts. This chapter will explore how Laserjet 1320 Service Manual is applied in specialized fields, such as education, business, and technology.
6. In chapter 5, the author will draw a conclusion about Laserjet 1320 Service Manual. This chapter will summarize the key points that have been discussed throughout the book.

The book is crafted in an easy-to-understand language and is complemented by engaging illustrations. This book is highly recommended for anyone seeking to gain a comprehensive understanding of Laserjet 1320 Service Manual.

https://www.splashdogs.com/About/detail/Download_PDFS/Manual_De_Instrucciones_Canon_Eos_1100d.pdf

Table of Contents Laserjet 1320 Service Manual

1. Understanding the eBook Laserjet 1320 Service Manual
 - The Rise of Digital Reading Laserjet 1320 Service Manual
 - Advantages of eBooks Over Traditional Books
2. Identifying Laserjet 1320 Service Manual
 - Exploring Different Genres
 - Considering Fiction vs. Non-Fiction
 - Determining Your Reading Goals
3. Choosing the Right eBook Platform
 - Popular eBook Platforms
 - Features to Look for in an Laserjet 1320 Service Manual
 - User-Friendly Interface
4. Exploring eBook Recommendations from Laserjet 1320 Service Manual
 - Personalized Recommendations
 - Laserjet 1320 Service Manual User Reviews and Ratings
 - Laserjet 1320 Service Manual and Bestseller Lists
5. Accessing Laserjet 1320 Service Manual Free and Paid eBooks
 - Laserjet 1320 Service Manual Public Domain eBooks
 - Laserjet 1320 Service Manual eBook Subscription Services
 - Laserjet 1320 Service Manual Budget-Friendly Options
6. Navigating Laserjet 1320 Service Manual eBook Formats
 - ePub, PDF, MOBI, and More
 - Laserjet 1320 Service Manual Compatibility with Devices
 - Laserjet 1320 Service Manual Enhanced eBook Features
7. Enhancing Your Reading Experience
 - Adjustable Fonts and Text Sizes of Laserjet 1320 Service Manual
 - Highlighting and Note-Taking Laserjet 1320 Service Manual
 - Interactive Elements Laserjet 1320 Service Manual
8. Staying Engaged with Laserjet 1320 Service Manual

- Joining Online Reading Communities
 - Participating in Virtual Book Clubs
 - Following Authors and Publishers Laserjet 1320 Service Manual
9. Balancing eBooks and Physical Books Laserjet 1320 Service Manual
- Benefits of a Digital Library
 - Creating a Diverse Reading Collection Laserjet 1320 Service Manual
10. Overcoming Reading Challenges
- Dealing with Digital Eye Strain
 - Minimizing Distractions
 - Managing Screen Time
11. Cultivating a Reading Routine Laserjet 1320 Service Manual
- Setting Reading Goals Laserjet 1320 Service Manual
 - Carving Out Dedicated Reading Time
12. Sourcing Reliable Information of Laserjet 1320 Service Manual
- Fact-Checking eBook Content of Laserjet 1320 Service Manual
 - Distinguishing Credible Sources
13. Promoting Lifelong Learning
- Utilizing eBooks for Skill Development
 - Exploring Educational eBooks
14. Embracing eBook Trends
- Integration of Multimedia Elements
 - Interactive and Gamified eBooks

Laserjet 1320 Service Manual Introduction

In the digital age, access to information has become easier than ever before. The ability to download Laserjet 1320 Service Manual has revolutionized the way we consume written content. Whether you are a student looking for course material, an avid reader searching for your next favorite book, or a professional seeking research papers, the option to download Laserjet 1320 Service Manual has opened up a world of possibilities. Downloading Laserjet 1320 Service Manual provides numerous advantages over physical copies of books and documents. Firstly, it is incredibly convenient. Gone are the days of carrying around heavy textbooks or bulky folders filled with papers. With the click of a button, you can gain immediate access to

valuable resources on any device. This convenience allows for efficient studying, researching, and reading on the go. Moreover, the cost-effective nature of downloading Laserjet 1320 Service Manual has democratized knowledge. Traditional books and academic journals can be expensive, making it difficult for individuals with limited financial resources to access information. By offering free PDF downloads, publishers and authors are enabling a wider audience to benefit from their work. This inclusivity promotes equal opportunities for learning and personal growth. There are numerous websites and platforms where individuals can download Laserjet 1320 Service Manual. These websites range from academic databases offering research papers and journals to online libraries with an expansive collection of books from various genres. Many authors and publishers also upload their work to specific websites, granting readers access to their content without any charge. These platforms not only provide access to existing literature but also serve as an excellent platform for undiscovered authors to share their work with the world. However, it is essential to be cautious while downloading Laserjet 1320 Service Manual. Some websites may offer pirated or illegally obtained copies of copyrighted material. Engaging in such activities not only violates copyright laws but also undermines the efforts of authors, publishers, and researchers. To ensure ethical downloading, it is advisable to utilize reputable websites that prioritize the legal distribution of content. When downloading Laserjet 1320 Service Manual, users should also consider the potential security risks associated with online platforms. Malicious actors may exploit vulnerabilities in unprotected websites to distribute malware or steal personal information. To protect themselves, individuals should ensure their devices have reliable antivirus software installed and validate the legitimacy of the websites they are downloading from. In conclusion, the ability to download Laserjet 1320 Service Manual has transformed the way we access information. With the convenience, cost-effectiveness, and accessibility it offers, free PDF downloads have become a popular choice for students, researchers, and book lovers worldwide. However, it is crucial to engage in ethical downloading practices and prioritize personal security when utilizing online platforms. By doing so, individuals can make the most of the vast array of free PDF resources available and embark on a journey of continuous learning and intellectual growth.

FAQs About Laserjet 1320 Service Manual Books

What is a Laserjet 1320 Service Manual PDF? A PDF (Portable Document Format) is a file format developed by Adobe that preserves the layout and formatting of a document, regardless of the software, hardware, or operating system used to view or print it. **How do I create a Laserjet 1320 Service Manual PDF?** There are several ways to create a PDF: Use software like Adobe Acrobat, Microsoft Word, or Google Docs, which often have built-in PDF creation tools. Print to PDF: Many applications and operating systems have a "Print to PDF" option that allows you to save a document as a PDF file

instead of printing it on paper. Online converters: There are various online tools that can convert different file types to PDF. **How do I edit a Laserjet 1320 Service Manual PDF?** Editing a PDF can be done with software like Adobe Acrobat, which allows direct editing of text, images, and other elements within the PDF. Some free tools, like PDFescape or Smallpdf, also offer basic editing capabilities. **How do I convert a Laserjet 1320 Service Manual PDF to another file format?** There are multiple ways to convert a PDF to another format: Use online converters like Smallpdf, Zamzar, or Adobe Acrobats export feature to convert PDFs to formats like Word, Excel, JPEG, etc. Software like Adobe Acrobat, Microsoft Word, or other PDF editors may have options to export or save PDFs in different formats. **How do I password-protect a Laserjet 1320 Service Manual PDF?** Most PDF editing software allows you to add password protection. In Adobe Acrobat, for instance, you can go to "File" -> "Properties" -> "Security" to set a password to restrict access or editing capabilities. Are there any free alternatives to Adobe Acrobat for working with PDFs? Yes, there are many free alternatives for working with PDFs, such as: LibreOffice: Offers PDF editing features. PDFsam: Allows splitting, merging, and editing PDFs. Foxit Reader: Provides basic PDF viewing and editing capabilities. How do I compress a PDF file? You can use online tools like Smallpdf, ILovePDF, or desktop software like Adobe Acrobat to compress PDF files without significant quality loss. Compression reduces the file size, making it easier to share and download. Can I fill out forms in a PDF file? Yes, most PDF viewers/editors like Adobe Acrobat, Preview (on Mac), or various online tools allow you to fill out forms in PDF files by selecting text fields and entering information. Are there any restrictions when working with PDFs? Some PDFs might have restrictions set by their creator, such as password protection, editing restrictions, or print restrictions. Breaking these restrictions might require specific software or tools, which may or may not be legal depending on the circumstances and local laws.

Find Laserjet 1320 Service Manual :

[manual de instrucciones canon eos 1100d](#)

[*manual de talleres com*](#)

manual de reguladores

[*manual de usuario sap*](#)

[~~manual de chevrolet expres 2006~~](#)

[*manual de android 23 espanol*](#)

[*manual de dvd shrink*](#)

[*manual de hp deskjet f380*](#)

[manual daihatsu charade](#)

manual de programacion mastercam

~~manual despiece motor honda tornado 250~~

[manual de usuario iphone 4s](#)

[manual de reparacin fiero pontiac](#)

manual de se24 sap

manual de operaciones ejemplo

Laserjet 1320 Service Manual :

anne of the island complete text google play - May 30 2023

web anne of the island complete text ebook written by l m montgomery read this book using google play books app on your pc android ios devices download for offline reading highlight

[anne of the island wikipedia](#) - Apr 28 2023

web anne of windy poplars text anne of the island at wikisource anne of the island is the third book in the anne of green gables series written by lucy maud montgomery about anne shirley anne of the island is the third book of the eight book sequels written by l m montgomery about anne shirley and her friends

[pdf epub anne of the island anne of green gables 3](#) - Oct 23 2022

web oct 19 2019 download anne of the island anne of green gables 3 by l m montgomery in pdf epub format complete free brief summary of book anne of the island anne of green gables 3 by l m montgomery here is a quick description and cover image of book anne of the island anne of green gables 3 written by l m

anne of the island complete text on apple books - Sep 02 2023

web get ready for the new anne of green gables netflix series anne shirley has come a long way since her days as a mischievous orphan living in the house at green gables she is now eighteen and headed to faraway redmond college in kingsport anne s college years are sure to be full of

anne of the island complete text anne of green ga pdf - Jul 20 2022

web the complete unabridged anne shirley stories 14 books anne of green gables anne of avonlea anne of the island anne s house of dreams rainbow valley rilla of ingleside chronicles of avonlea anne of windy poplars anne of ingleside etc

anne of the island complete text anne of green gables book 3 - Mar 28 2023

web jun 3 2010 audiobook 0 00 free with your audible trial get ready for the new anne of green gables netflix series anne shirley has come a long way since her days as a mischievous orphan living in the house at green gables she is now eighteen and headed to faraway redmond college in kingsport

anne of the island complete text anne of green ga 2022 - Aug 21 2022

web the complete anne of green gables collection vol 1 by l m montgomery anne of green gables anne of avonlea anne of the island anne of windy poplars the complete unabridged anne shirley stories 14 books anne of green gables anne of avonlea anne of the island anne s house of dreams rainbow valley rilla of

anne of the island complete text anne of green ga - May 18 2022

web jun 22 2023 island complete text anne of green ga connect that we provide here and check out the link you could buy lead anne of the island complete text anne of green ga or get it as soon as feasible you could quickly download this anne of the island complete text anne of green ga after getting deal so

anne of the island project gutenber cmu school of - Jun 30 2023

web anne of the island project gutenber by lucy maud montgomery this book is the third in a set it is preceded by anne of green gables 1 and anne of avonlea 2 and followed by anne s house of dreams 5 note this is a hypertext formatted version of the project gutenber edition

anne of the island complete text anne of green ga download - Mar 16 2022

web anne of the island illustratad createspace independent publishing platform anne of the island lucy maud montgomery anne of the island is the third book in the anne of green gables series written by lucy maud montgomery about anne shirley anne of the island was published in 1915 seven years after the bestselling anne of green gables in the

anne of the island complete text anne of green ga copy - Apr 16 2022

web sep 12 2023 anne of the island complete text anne of green ga 1 1 downloaded from uniport edu ng on september 12 2023 by guest anne of the island complete text anne of green ga when somebody should go to the books stores search establishment by shop shelf by shelf it is essentially problematic this is why we give the books

anne of the island complete text anne of green ga copy - Feb 12 2022

web anne of the island complete text anne of green ga is approachable in our digital library an online entry to it is set as public appropriately you can download it instantly

anne of the island anne of green gables novels goodreads - Dec 25 2022

web anne of the island l m montgomery anne of the island is the third book in the anne of green gables series written by lucy maud montgomery about anne shirley anne of the island was published in 1915 seven years after the bestselling anne of green gables in the continuing story of anne shirley anne attends redmond college in kingsport

anne of the island project gutenber - Oct 03 2023

web jun 27 2022 anne knew that ruby meant that she wanted to tell anne all about her own recent flirtations but she promised to go and diana offered to go with her i ve been wanting to go to see ruby for a long while she told anne when they left green gables the next evening but i really couldn t go alone

anne of the island complete text apple books - Feb 24 2023

web jun 8 2010 get ready for the new anne of green gables netflix series anne shirley has come a long way since her days as a mischievous orphan living in the house at green gables she is now eighteen and headed to faraway redmond college in kingsport

anne of the island complete text google books - Aug 01 2023

web get ready for the new anne of green gables netflix series anne shirley has come a long way since her days as a mischievous orphan living in the house at green gables she is now eighteen

anne of the island complete text anne of green ga pdf - Jun 18 2022

web sep 5 2023 this anne of the island complete text anne of green ga as one of the most functioning sellers here will unconditionally be in the midst of the best options to review anne of the island by lucy maud montgomery as part of classicreader com stephane theroux presents

anne of the island anne of green gables 3 fadedpage com - Nov 23 2022

web jun 6 2012 lucy maud montgomery is perhaps best known as the author of the anne of green gables series anne an 11 year old girl the hero of a girls novel has become a worldwide bestseller from canada to japan for children to adults tourism based on anne is an important part of prince edward island s economy

anne of the island anne of green gables the complete - Sep 21 2022

web anne of the island anne of green gables the complete collection l m montgomery amazon com tr kitap

anne of the island complete text anne of green gables book 3 - Jan 26 2023

web anne of the island complete text anne of green gables book 3 ebook montgomery l m amazon co uk kindle store

warum nett sein weniger erfolgreich ist 20 tipps für den - Jan 12 2022

web der arschloch faktor vom geschickten umgang mit a thank you very much for reading der arschloch faktor vom as you may know people have search numerous times

der arschloch faktor vom geschickten umgang mit - Dec 23 2022

web der arschloch faktor vom geschickten umgang mit aufschneidern intriganten und despoten im unternehmen by sutton robert i and a great selection of related books

arschloch faktor abebooks - Nov 21 2022

web in bezug auf das betriebsklima in unternehmen beschreibt der organisationspsychologe robert i sutton professor an der stanford graduate school of business ebenfalls

robert sutton der arschloch faktor focus online - Aug 19 2022

web may 3 2016 endlich mal einer der im sinne der mehrheit der mitarbeiter handelt einer der bewusst den arschloch

faktor niedrig hält aber es gibt auch ein gegenargument

[arschloch wikipedia](#) - Oct 21 2022

web der arschloch faktor vom geschickten umgang mit a downloaded from pantera adecco com by guest izaiah john der 2 stunden chef ariston hochbegabte

[der arschloch faktor vom geschickten umgang mit](#) - Apr 26 2023

web apr 20 2008 jost w kramer rezension vom 20 04 2008 zu robert i sutton der arschloch faktor vom geschickten umgang mit aufschneidern intriganten und

was ein arschloch ist und nach welchen umgangsformen es ruft - Nov 09 2021

der arschloch faktor vom geschickten ab 0 50 - Jun 16 2022

web der arschloch faktor vom geschickten umgang mit a downloaded from eagldemo2 eagltechnology com by guest giovanna brynn harpercollins warum

der arschloch faktor vom geschickten umgang mit - Oct 01 2023

web der arschloch faktor vom geschickten umgang mit aufschneidern intriganten und despoten im unternehmen sutton robert i pfeiffer thomas isbn 9783446407046

der arschloch faktor vom geschickten umgang mit a pdf - Apr 14 2022

web der arschloch faktor vom geschickten umgang mit a downloaded from banking finance gov ie by guest korbin clarke der zornkönig campus verlag

[der arschloch faktor vom geschickten umgang mit a pdf](#) - Dec 11 2021

web mar 26 2017 es kann aber auch zur bewussten ansprache von mit betroffenen führen bei denen verständnis zu erwarten ist solche bündnisse sind allerdings nach aller

[der arschloch faktor vom geschickten umgang mit a 2023](#) - Sep 19 2022

web aug 15 2014 sutton robert der arschloch faktor vom geschickten umgang mit aufschneidern intriganten und despoten in unternehmen hanser wirtschaft 2006 206

der arschloch faktor vom geschickten umgang mit a pdf - Feb 10 2022

web aug 5 2013 22 tipps für mehr arschloch faktor im umgang mit kunden ein bonner verkehrsunternehmen hat das mit dem arschlochfaktor übrigens recht wörtlich

[der arschloch faktor vom geschickten umgang mit a](#) - May 16 2022

web sep 22 2023 der arschloch faktor vom geschickten umgang mit a 2 10 downloaded from uniport edu ng on september 22 2023 by guest strukturiertes vielfältiges

socialnet rezensionen der arschloch faktor vom geschickten - Mar 26 2023

web mar 3 2008 der arschloch faktor vom geschickten umgang mit aufschneidern intriganten und despoten in unternehmen by robert i sutton 0 ratings 0 want to read

der arschloch faktor edition f - Jul 18 2022

web der arschloch faktor vom geschickten umgang mit aufschneidern intriganten und despoten im unternehmen sutton robert i 2007 isbn 9783446407046 buch

der arschloch faktor vom geschickten umgang mit a - Mar 14 2022

web may 13 2023 viele jahre von der Öffentlichkeit verkannt und von der psychologie ignoriert war die macht für die meisten menschen ein tabuthema nur die eliten

der arschloch faktor vom geschickten umgang mit - Jan 24 2023

web der arschloch faktor vom geschickten umgang mit aufschneidern intriganten und despoten in unternehmen by robert i sutton 2006 10 06 isbn kostenloser

der arschloch faktor von robert i sutton getabstract - May 28 2023

web der arschloch faktor vom geschickten umgang mit aufschneidern intriganten und despoten im unternehmen robert i sutton amazon de bücher bücher

der arschloch faktor by robert i sutton open library - Feb 22 2023

web buy der arschloch faktor vom geschickten umgang mit aufschneidern intriganten und despoten in unternehmen by sutton robert i pfeiffer thomas isbn

der arschloch faktor vom geschickten umgang mit - Jun 28 2023

web der arschloch faktor von robert i sutton gratis zusammenfassung melden sie sich bei getabstract an um die zusammenfassung zu erhalten robert i sutton der

der arschloch faktor vom geschickten umgang mit - Aug 31 2023

web der arschloch faktor vom geschickten umgang mit a 3 3 werden musste und obwohl studiengänge die für das sozialmanagement ausbilden module zum thema

der arschloch faktor vom geschickten umgang mit a 2023 - Jul 30 2023

web dieses rotzfreche buch von robert sutton renommierter management autor und professor in stanford liefert den beweis arschlöcher sind nicht nur eine unerträgliche zumutung

angewandte statistik mit spss praktische einführung für - Oct 04 2023

web unter einatz des programmpaketes spss werden die statistischen verfahren anhand praktischer und realdatenbasierter problemstellungen demonstriert und die ergebnisse sachlogisch interpretiert die achte auflage basiert auf der version 23 des

programmpakets ibm spss statistics

angewandte statistik mit spss praktische einführung für - Sep 22 2022

web angewandte statistik mit spss praktische einführung für wirtschaftswissenschaftler worldcat org author peter p eckstein summary peter p eckstein stellt in diesem buch klassische und moderne verfahren der deskriptiven und induktiven statistik der explorativen datenanalyse sowie der konometrie komprimiert dar

angewandte statistik mit spss praktische einführung für - May 31 2023

web peter p eckstein stellt in diesem buch klassische und moderne verfahren der deskriptiven und induktiven statistik der explorativen datenanalyse sowie der Ökonometrie komprimiert dar unter einsatz des statistik software paketes spss für windows werden sämtliche statistische verfahren anhand praktischer problemstellungen demonstriert und

angewandte statistik mit spss praktische einführung für - Oct 24 2022

web angewandte statistik mit spss praktische einführung für wirtschaftswissenschaftler by peter p eckstein review st gallen 1 2010 das buch ersetzt kein klassisches statistik lehrbuch sondern ist viel mehr der fehlende und für die praxis so notwendige anwendungsleitfaden

angewandte statistik mit spss praktische einführung für - Mar 29 2023

web die augenscheinlichsten neuerungen sind zum einen eine elementare einführung in die reliabilitätsanalyse und zum anderen eine reihe neuer praktischer beispiele und aufgaben die eine nützliche und redun danzfreie ergänzung zu dem von mir gleichsam im gabler verlag herausgege benen spss arbeitsbuch darstellen

angewandte statistik mit spss praktische einfuhru pdf - May 19 2022

web angewandte statistik mit spss praktische einfuhru 1 angewandte statistik mit spss praktische einfuhru erfolgreich forschen methoden der strategischen planung und steuerung der it angewandte statistik mit spss die produktgestaltung von klimaschutzfonds als nachhaltiges anlageprodukt für privatanleger steuerung von

angewandte statistik mit spss praktische einfuhru 2022 - Apr 17 2022

web angewandte statistik mit spss springer verlag peter p eckstein bietet in seinem neuen lehrbuch eine vielzahl von Übungen und klausuraufgaben zur statistischen datenanalyse mit spss an die aufgaben sind nach inhaltlichen schwerpunkten geordnet und decken jedes anspruchsniveau ab basis sind reale daten die im kontext von

angewandte statistik mit spss praktische einführung für - Jun 19 2022

web jun 28 2012 angewandte statistik mit spss praktische einführung für wirtschaftswissenschaftler german edition 9783834935700 economics books amazon com

angewandte statistik mit spss praktische einführung für - Sep 03 2023

web unter einsatz des programmpaketes spss werden die statistischen verfahren anhand praktischer problemstellungen

demonstriert und die ergebnisse sachlogisch interpretiert zudem wird jedes kapitel durch Übungen und klausuraufgaben ergänzt für die im anhang eine vollständige lösung angeboten wird

pdf angewandte statistik mit spss praktische einfuhru - Apr 29 2023

web angewandte statistik mit spss praktische einfuhru statistische datenanalyse mit spss aug 29 2022 dieses buch liefert anfangern einen leichten einstieg in spss und dient erfahrenen nutzern auch früherer programmversionen zugleich als hervorragendes nachschlagewerk die nutzung des buchs ist dabei weitgehend ohne mathematische

angewandte statistik mit spss praktische einführung für - Nov 24 2022

web angewandte statistik mit spss praktische einführung für wirtschaftswissenschaftler eckstein peter p isbn 9783409322324 kostenloser versand für alle bücher mit versand und verkauf duch amazon

angewandte statistik mit spss praktische einführung für - Jan 27 2023

web jun 28 2012 unter einatz des programmpaketes spss werden die statistischen verfahren anhand praktischer problemstellungen demonstriert und die ergebnisse sachlogisch interpretiert zudem wird jedes

angewandte statistik mit spss praktische einführung für - Feb 25 2023

web mar 9 2013 angewandte statistik mit spss praktische einführung für wirtschaftswissenschaftler springer verlag mar 9 2013 business economics 350 pages peter p eckstein stellt in diesem

inferenzielle statistik in spss anleitung tipps - Mar 17 2022

web feb 7 2019 für die inferenzielle statistik ist der schätzwert für den mittelwert der grundgesamtheit gerade der mittelwert der stichprobe bei der standardabweichung berücksichtigt spss dass bei kleinen stichproben der korrekturfaktor zu verwenden ist vgl dazu auch eckstein 2016 oder beispielsweise die erläuterungen der uni magdeburg

angewandte statistik mit spss praktische einführung für - Jul 01 2023

web book title angewandte statistik mit spss book subtitle praktische einführung für wirtschaftswissenschaftler authors peter p eckstein doi doi org 10 1007 978 3 663 09266 7 publisher gabler verlag wiesbaden ebook packages springer book archive copyright information gabler verlag springer fachmedien wiesbaden gmbh

angewandte statistik mit spss praktische einfuhru - Feb 13 2022

web angewandte statistik mit spss praktische einfuhru 3 3 bzw immateriellen anreizen und dem oc für die strategiegestaltung in den unternehmen hervorgebracht weitere strategiemöglichkeiten für die unternehmen liefern ebenfalls analysen welche die zielgruppen der generationen y und z nach dem geschlecht sowie dem bildungsstatus

angewandte statistik mit spss praktische einführung für - Jul 21 2022

web angewandte statistik mit spss praktische einführung für wirtschaftswissenschaftler eckstein peter p p isbn 9783658109172 kostenloser versand für alle bücher mit versand und verkauf duch amazon

angewandte statistik mit spss praktische einführung für - Dec 26 2022

web feb 12 2016 unter einatz des programmpaketes spss werden die statistischen verfahren anhand praktischer und realdatenbasierter problemstellungen demonstriert und die ergebnisse sachlogisch interpretiert

angewandte statistik mit spss praktische einführung für - Aug 02 2023

web unter einatz des statistik software paketes spss für windows werden sämtliche statistische verfahren anhand praktischer problemstellungen demonstriert und die ergebnisse sachlogisch interpretiert in den kapiteln spss für windows spss datenmanagement verteilungsanalyse mittelwertanalyse korrelationsanalyse

angewandte statistik mit spss praktische einführung für - Aug 22 2022

web angewandte statistik mit spss praktische einführung für wirtschaftswissenschaftler by peter p eckstein alibris buy angewandte statistik mit spss praktische einführung für wirtschaftswissenschaftler by peter p eckstein online at alibris we have new and used copies available in 2 editions starting at 10 50 shop now skip to main content