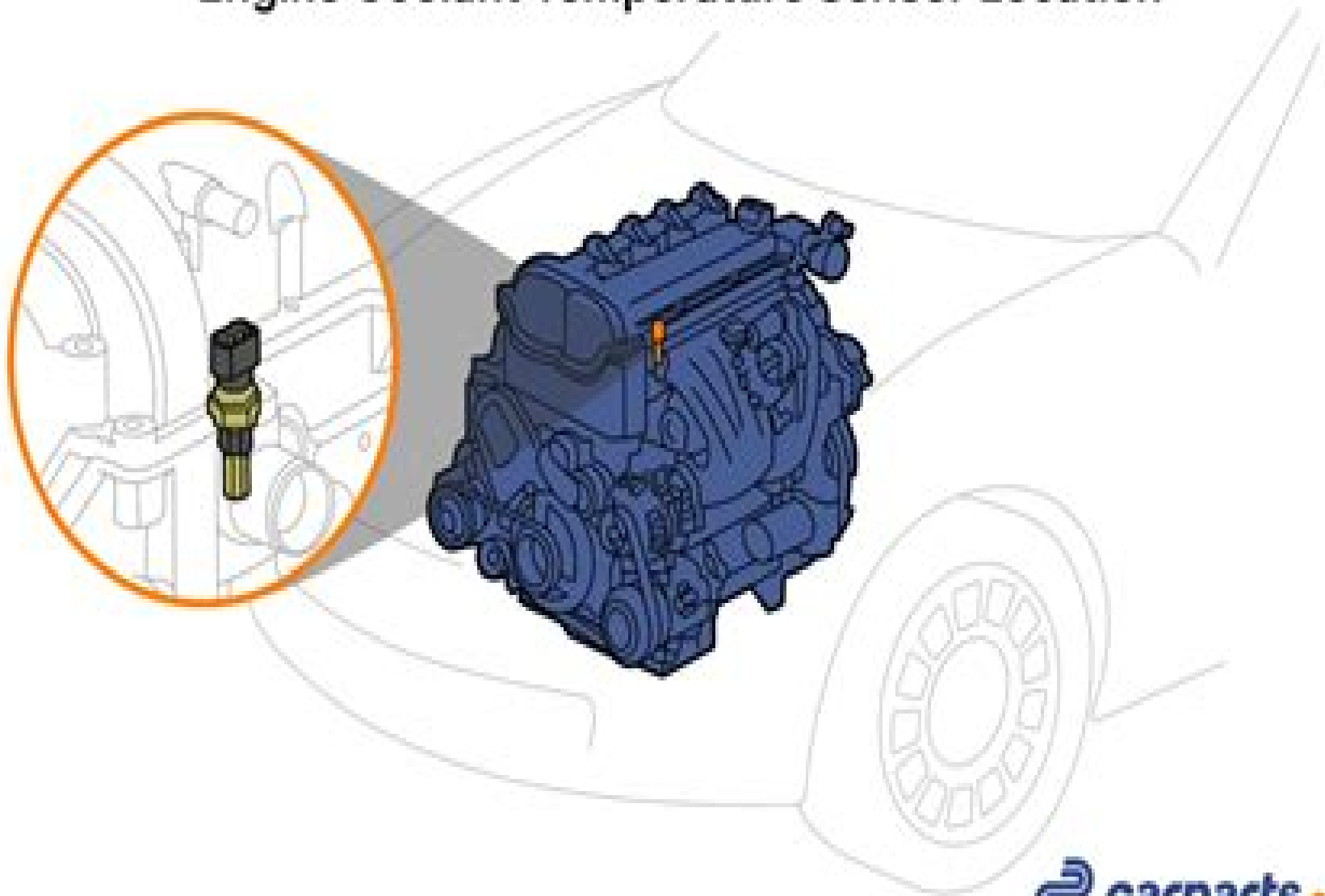


Engine Coolant Temperature Sensor Location



Mondeo Mk 4 Location Of Temperature Sensor

A. K. Legg, Peter T. Gill



Mondeo Mk 4 Location Of Temperature Sensor:

Ford Mondeo Oct 2000 to Jul 2003 (X to 03 Reg) Petrol & Diesel A. K. Legg, Peter T. Gill, 2003 Hatchback Saloon Estate including special limited editions Does NOT cover ST220 models or facelifted range introduced July 2003 Petrol 1 8 litre 1798cc 2 0 litre 1999cc 4 cyl 2 5 litre 2495 2499 2544cc V6 Does NOT cover 3 0 litre V6 petrol engine Turbo Diesel 2 0 litre 1998cc **Ford Mondeo** A. K. Legg, Jeremy Churchill, Robert Jex, 2003 Saloon Hatchback Estate inc special limited editions Does NOT cover four wheel drive or ST200 Petrol 1 6 litre 1597cc 1 8 litre 1796cc 2 0 litre 1988cc 4 cyl 2 5 litre 2544cc V6

This book delves into Mondeo Mk 4 Location Of Temperature Sensor. Mondeo Mk 4 Location Of Temperature Sensor is a crucial topic that needs to be grasped by everyone, from students and scholars to the general public. The book will furnish comprehensive and in-depth insights into Mondeo Mk 4 Location Of Temperature Sensor, encompassing both the fundamentals and more intricate discussions.

1. This book is structured into several chapters, namely:
 - Chapter 1: Introduction to Mondeo Mk 4 Location Of Temperature Sensor
 - Chapter 2: Essential Elements of Mondeo Mk 4 Location Of Temperature Sensor
 - Chapter 3: Mondeo Mk 4 Location Of Temperature Sensor in Everyday Life
 - Chapter 4: Mondeo Mk 4 Location Of Temperature Sensor in Specific Contexts
 - Chapter 5: Conclusion
 2. In chapter 1, the author will provide an overview of Mondeo Mk 4 Location Of Temperature Sensor. The first chapter will explore what Mondeo Mk 4 Location Of Temperature Sensor is, why Mondeo Mk 4 Location Of Temperature Sensor is vital, and how to effectively learn about Mondeo Mk 4 Location Of Temperature Sensor.
 3. In chapter 2, this book will delve into the foundational concepts of Mondeo Mk 4 Location Of Temperature Sensor. The second chapter will elucidate the essential principles that need to be understood to grasp Mondeo Mk 4 Location Of Temperature Sensor in its entirety.
 4. In chapter 3, the author will examine the practical applications of Mondeo Mk 4 Location Of Temperature Sensor in daily life. The third chapter will showcase real-world examples of how Mondeo Mk 4 Location Of Temperature Sensor can be effectively utilized in everyday scenarios.
 5. In chapter 4, the author will scrutinize the relevance of Mondeo Mk 4 Location Of Temperature Sensor in specific contexts. This chapter will explore how Mondeo Mk 4 Location Of Temperature Sensor is applied in specialized fields, such as education, business, and technology.
 6. In chapter 5, the author will draw a conclusion about Mondeo Mk 4 Location Of Temperature Sensor. This chapter will summarize the key points that have been discussed throughout the book.
- This book is crafted in an easy-to-understand language and is complemented by engaging illustrations. It is highly recommended for anyone seeking to gain a comprehensive understanding of Mondeo Mk 4 Location Of Temperature Sensor.

https://www.splashdogs.com/data/scholarship/fetch.php/Mg_3220_Manual.pdf

Table of Contents Mondeo Mk 4 Location Of Temperature Sensor

1. Understanding the eBook Mondeo Mk 4 Location Of Temperature Sensor
 - The Rise of Digital Reading Mondeo Mk 4 Location Of Temperature Sensor
 - Advantages of eBooks Over Traditional Books
2. Identifying Mondeo Mk 4 Location Of Temperature Sensor
 - Exploring Different Genres
 - Considering Fiction vs. Non-Fiction
 - Determining Your Reading Goals
3. Choosing the Right eBook Platform
 - Popular eBook Platforms
 - Features to Look for in an Mondeo Mk 4 Location Of Temperature Sensor
 - User-Friendly Interface
4. Exploring eBook Recommendations from Mondeo Mk 4 Location Of Temperature Sensor
 - Personalized Recommendations
 - Mondeo Mk 4 Location Of Temperature Sensor User Reviews and Ratings
 - Mondeo Mk 4 Location Of Temperature Sensor and Bestseller Lists
5. Accessing Mondeo Mk 4 Location Of Temperature Sensor Free and Paid eBooks
 - Mondeo Mk 4 Location Of Temperature Sensor Public Domain eBooks
 - Mondeo Mk 4 Location Of Temperature Sensor eBook Subscription Services
 - Mondeo Mk 4 Location Of Temperature Sensor Budget-Friendly Options
6. Navigating Mondeo Mk 4 Location Of Temperature Sensor eBook Formats
 - ePub, PDF, MOBI, and More
 - Mondeo Mk 4 Location Of Temperature Sensor Compatibility with Devices
 - Mondeo Mk 4 Location Of Temperature Sensor Enhanced eBook Features
7. Enhancing Your Reading Experience
 - Adjustable Fonts and Text Sizes of Mondeo Mk 4 Location Of Temperature Sensor
 - Highlighting and Note-Taking Mondeo Mk 4 Location Of Temperature Sensor
 - Interactive Elements Mondeo Mk 4 Location Of Temperature Sensor

8. Staying Engaged with Mondeo Mk 4 Location Of Temperature Sensor
 - Joining Online Reading Communities
 - Participating in Virtual Book Clubs
 - Following Authors and Publishers Mondeo Mk 4 Location Of Temperature Sensor
9. Balancing eBooks and Physical Books Mondeo Mk 4 Location Of Temperature Sensor
 - Benefits of a Digital Library
 - Creating a Diverse Reading Collection Mondeo Mk 4 Location Of Temperature Sensor
10. Overcoming Reading Challenges
 - Dealing with Digital Eye Strain
 - Minimizing Distractions
 - Managing Screen Time
11. Cultivating a Reading Routine Mondeo Mk 4 Location Of Temperature Sensor
 - Setting Reading Goals Mondeo Mk 4 Location Of Temperature Sensor
 - Carving Out Dedicated Reading Time
12. Sourcing Reliable Information of Mondeo Mk 4 Location Of Temperature Sensor
 - Fact-Checking eBook Content of Mondeo Mk 4 Location Of Temperature Sensor
 - Distinguishing Credible Sources
13. Promoting Lifelong Learning
 - Utilizing eBooks for Skill Development
 - Exploring Educational eBooks
14. Embracing eBook Trends
 - Integration of Multimedia Elements
 - Interactive and Gamified eBooks

Mondeo Mk 4 Location Of Temperature Sensor Introduction

In today's digital age, the availability of Mondeo Mk 4 Location Of Temperature Sensor books and manuals for download has revolutionized the way we access information. Gone are the days of physically flipping through pages and carrying heavy textbooks or manuals. With just a few clicks, we can now access a wealth of knowledge from the comfort of our own homes or on the go. This article will explore the advantages of Mondeo Mk 4 Location Of Temperature Sensor books and manuals for download, along with some popular platforms that offer these resources. One of the significant advantages of Mondeo Mk 4

Location Of Temperature Sensor books and manuals for download is the cost-saving aspect. Traditional books and manuals can be costly, especially if you need to purchase several of them for educational or professional purposes. By accessing Mondeo Mk 4 Location Of Temperature Sensor versions, you eliminate the need to spend money on physical copies. This not only saves you money but also reduces the environmental impact associated with book production and transportation. Furthermore, Mondeo Mk 4 Location Of Temperature Sensor books and manuals for download are incredibly convenient. With just a computer or smartphone and an internet connection, you can access a vast library of resources on any subject imaginable. Whether you're a student looking for textbooks, a professional seeking industry-specific manuals, or someone interested in self-improvement, these digital resources provide an efficient and accessible means of acquiring knowledge. Moreover, PDF books and manuals offer a range of benefits compared to other digital formats. PDF files are designed to retain their formatting regardless of the device used to open them. This ensures that the content appears exactly as intended by the author, with no loss of formatting or missing graphics. Additionally, PDF files can be easily annotated, bookmarked, and searched for specific terms, making them highly practical for studying or referencing. When it comes to accessing Mondeo Mk 4 Location Of Temperature Sensor books and manuals, several platforms offer an extensive collection of resources. One such platform is Project Gutenberg, a nonprofit organization that provides over 60,000 free eBooks. These books are primarily in the public domain, meaning they can be freely distributed and downloaded. Project Gutenberg offers a wide range of classic literature, making it an excellent resource for literature enthusiasts. Another popular platform for Mondeo Mk 4 Location Of Temperature Sensor books and manuals is Open Library. Open Library is an initiative of the Internet Archive, a non-profit organization dedicated to digitizing cultural artifacts and making them accessible to the public. Open Library hosts millions of books, including both public domain works and contemporary titles. It also allows users to borrow digital copies of certain books for a limited period, similar to a library lending system. Additionally, many universities and educational institutions have their own digital libraries that provide free access to PDF books and manuals. These libraries often offer academic texts, research papers, and technical manuals, making them invaluable resources for students and researchers. Some notable examples include MIT OpenCourseWare, which offers free access to course materials from the Massachusetts Institute of Technology, and the Digital Public Library of America, which provides a vast collection of digitized books and historical documents. In conclusion, Mondeo Mk 4 Location Of Temperature Sensor books and manuals for download have transformed the way we access information. They provide a cost-effective and convenient means of acquiring knowledge, offering the ability to access a vast library of resources at our fingertips. With platforms like Project Gutenberg, Open Library, and various digital libraries offered by educational institutions, we have access to an ever-expanding collection of books and manuals. Whether for educational, professional, or personal purposes, these digital resources serve as valuable tools for continuous learning and self-improvement. So why not take advantage of the vast world

of Mondeo Mk 4 Location Of Temperature Sensor books and manuals for download and embark on your journey of knowledge?

FAQs About Mondeo Mk 4 Location Of Temperature Sensor Books

1. Where can I buy Mondeo Mk 4 Location Of Temperature Sensor books? Bookstores: Physical bookstores like Barnes & Noble, Waterstones, and independent local stores. Online Retailers: Amazon, Book Depository, and various online bookstores offer a wide range of books in physical and digital formats.
2. What are the different book formats available? Hardcover: Sturdy and durable, usually more expensive. Paperback: Cheaper, lighter, and more portable than hardcovers. E-books: Digital books available for e-readers like Kindle or software like Apple Books, Kindle, and Google Play Books.
3. How do I choose a Mondeo Mk 4 Location Of Temperature Sensor book to read? Genres: Consider the genre you enjoy (fiction, non-fiction, mystery, sci-fi, etc.). Recommendations: Ask friends, join book clubs, or explore online reviews and recommendations. Author: If you like a particular author, you might enjoy more of their work.
4. How do I take care of Mondeo Mk 4 Location Of Temperature Sensor books? Storage: Keep them away from direct sunlight and in a dry environment. Handling: Avoid folding pages, use bookmarks, and handle them with clean hands. Cleaning: Gently dust the covers and pages occasionally.
5. Can I borrow books without buying them? Public Libraries: Local libraries offer a wide range of books for borrowing. Book Swaps: Community book exchanges or online platforms where people exchange books.
6. How can I track my reading progress or manage my book collection? Book Tracking Apps: Goodreads, LibraryThing, and Book Catalogue are popular apps for tracking your reading progress and managing book collections. Spreadsheets: You can create your own spreadsheet to track books read, ratings, and other details.
7. What are Mondeo Mk 4 Location Of Temperature Sensor audiobooks, and where can I find them? Audiobooks: Audio recordings of books, perfect for listening while commuting or multitasking. Platforms: Audible, LibriVox, and Google Play Books offer a wide selection of audiobooks.
8. How do I support authors or the book industry? Buy Books: Purchase books from authors or independent bookstores. Reviews: Leave reviews on platforms like Goodreads or Amazon. Promotion: Share your favorite books on social media or recommend them to friends.
9. Are there book clubs or reading communities I can join? Local Clubs: Check for local book clubs in libraries or

community centers. Online Communities: Platforms like Goodreads have virtual book clubs and discussion groups.

10. Can I read Mondeo Mk 4 Location Of Temperature Sensor books for free? Public Domain Books: Many classic books are available for free as they're in the public domain. Free E-books: Some websites offer free e-books legally, like Project Gutenberg or Open Library.

Find Mondeo Mk 4 Location Of Temperature Sensor :

[mg 3220 manual](#)

metamorphosis answers study guide

[mf 35 dansk manual](#)

[mettler dl 31 manual](#)

[metrology laboratory manual](#)

[mercury sable vacuum hose diagram](#)

[mf 135 power steering repair parts](#)

[meriam and kraige dynamics 6th edition solutions](#)

mettler toledo bc 15 manual

mercury sable repair manual for 1995

[mercury outboard repair parts](#)

metal lathe turning exercises

[mettler pe 11 manual](#)

[metric system learning charts](#)

[mesimdhenea ne ciklin fillor](#)

Mondeo Mk 4 Location Of Temperature Sensor :

[versailles chantier permanent les carnets de versailles](#) - Oct 04 2022

web jan 12 2018 un ouvrage publié en 2002 par Frédéric Tiberghien Versailles le chantier de Louis XIV 1662 1715 raconte l'aventure inouïe de ces dizaines de milliers

versailles le chantier de Louis XIV 1662 1715 Google Books - Apr 10 2023

web Versailles fut le plus grand chantier d'Europe au XVIII^e siècle 53 années de travaux 36 000 hommes mobilisés et des milliers d'accidentés du travail des millions de mètres

versailles le chantier de louis xiv 1662 1715 catalogue bpi fr - Dec 06 2022

web document versailles le chantier de louis xiv 1662 1715 utiliser les flèches haut et bas du clavier pour vous déplacer dans la liste de suggestions rechercher tapez les

versailles le chantier de louis xiv 1662 1715 livre d occasion - Feb 25 2022

web résumé histoire du plus grand chantier français de tous les temps cinquante trois années de travaux jusqu'à 36 000 personnes mobilisées en même temps près de 100

versailles le chantier de louis xiv 1662 1715 fnac - May 11 2023

web l histoire du plus grand chantier français de tous les temps cinquante trois années de travaux jusqu'à 36 000 personnes mobilisées en même temps près de 100 millions de

pdf versailles le chantier de louis xiv 1662 1715 - Nov 24 2021

web versailles le chantier de louis xiv 1662 1715 language as symbolic power dec 30 2021 kramsch combines insights from linguistics anthropology and sociology to show

versailles le chantier de louis xiv 1662 1715 decitre - Feb 08 2023

web may 16 2002 versailles fut le plus grand chantier d europe au xvii^e siècle 53 années de travaux 36 000 hommes mobilisés et des milliers d accidentés du travail des millions

versailles le chantier de louis xiv 1662 1715 worldcat org - Jan 07 2023

web versailles le chantier de louis xiv 1662 1715 worldcat org

versailles le chantier de louis xiv 1662 1715 decitre - Mar 09 2023

web nov 2 2006 versailles fut le plus grand chantier d europe au xv^e siècle 53 années de travaux 36 000 hommes mobilisés des dizaines de milliers de tonnes de pierre de

versailles le chantier de louis xiv 1662 1715 pierpaolo merlin - Aug 22 2021

web versailles le chantier de louis xiv 1662 1715 when somebody should go to the books stores search introduction by shop shelf by shelf it is in point of fact problematic this is

versailles le chantier de louis xiv 1662 1715 xviii^e eme siècle - Nov 05 2022

web may 1 2002 versailles fut le plus grand chantier d europe au xvii^e siècle 53 années de travaux 36 000 hommes mobilisés et des milliers d accidentés du travail des millions

versailles le chantier de louis xiv 1662 1715 furet du nord - Aug 02 2022

web may 16 2002 versailles le chantier de louis xiv 1662 1715 de plongez vous dans le livre Frédéric Tiberghien au format ajoutez le à votre liste de souhaits ou abonnez vous

versailles le chantier de louis xiv 1662 1715 label emmaüs - Oct 24 2021

web versailles le chantier de louis xiv 1662 1715 versailles fut le plus grand chantier d europe au xvie siècle 53 années

versailles le chantier de louis xiv 1662 1715 babelio - Jun 12 2023

web oct 19 2006 versailles fut le plus grand chantier d europe au xvie siècle 53 années de travaux 36 000 hommes mobilisés des dizaines de milliers de tonnes de pierre de

versailles le chantier de louis xiv 1662 1715 poche fnac - Aug 14 2023

web versailles le chantier de louis xiv 1662 1715 Frédéric tiberghien perrin des milliers de livres avec la livraison chez vous en 1 jour ou en magasin avec 5 de réduction

versailles chantier louis xiv de tiberghien Frédéric abebooks - May 31 2022

web versailles le chantier de louis xiv 1662 1715 de Frédéric tiberghien et d autres livres articles d art et de collection similaires disponibles sur abebooks fr

versailles le chantier de louis xiv 1662 1715 broché au - Sep 22 2021

web versailles le chantier de louis xiv 1662 1715 broché achat en ligne au meilleur prix sur e leclerc retrait gratuit dans de 700 magasins

versailles le chantier de louis xiv 1662 1715 - Sep 03 2022

web colors the secret wife of louis xiv paints a portrait of europe in an age of violent change and the sun king s france in the process of becoming its modern self the third reign

versailles le chantier de louis xiv 1662 1715 babelio - Jul 13 2023

web apr 25 2002 l auteur nous raconte l histoire du château de versailles depuis la construction en 1623 du pavillon de chasse de louis xiii par nicolas huau jusqu à la

versailles le chantier de louis xiv 1662 1715 - Mar 29 2022

web découvrez versailles le chantier de louis xiv 1662 1715 de tiberghien Frédéric d occasion en très bon état toutes ses parutions à petit prix livraison gratuite dès 25

versailles le chantier de louis xiv amazon fr - Jul 01 2022

web retrouvez versailles le chantier de louis xiv et des millions de livres en stock sur amazon fr achetez neuf ou d occasion intéressant en soi mais malgré tout assez

versailles chantier louis xiv 1662 1715 by tiberghien abebooks - Apr 29 2022

web versailles le chantier de louis xiv 1662 1715 by Frédéric tiberghien and a great selection of related books art and collectibles available now at abebooks com

le château de versailles chantier permanent depuis 400 ans - Jan 27 2022

web 11 hours ago le palais emblématique de louis xiv né de la volonté de son père louis xiii fête ses 400 ans entre

adaptation aux différentes époques et nécessaires

versailles le chantier de louis xiv 1662 1715 label emmaüs - Dec 26 2021

web versailles le chantier de louis xiv 1662 1715 versailles fut le plus grand chantier d europe au xviiè siècle 53 années de

the night audit all you need to know about it hotel speak - Nov 28 2022

web apr 7 2021 the night audit closes the books on one hotel day and opens the books on another the main purpose of a night audit is to verify the accuracy and completeness of guest and non guest records but it also helps to carry out the following additional functions

10 hotel audit reports you should run every night cloudbeds - Jun 04 2023

web nov 25 2019 we ve created a list of the 13 top night audit reports your property should run to ensure a smooth operation these reports will help give you a birds eye view into your business helping you make data based decisions on every aspect from revenue management and hotel operations to profitability and benchmarking

night audit checklists generic 1715 hotel pros - Jul 05 2023

web collect the reports from the printer and distribute according to the night audit reports policy see procedure 31 gather and rubber band all printed reports credit card vouchers and the telephone

everything you need to know about hotel night audits little hotelier - May 03 2023

web sep 29 2023 a hotel night audit is the process of summarising and ensuring the accuracy of all the financial activities that have occurred at your property on a particular day performing a night audit helps you prepare for the next day s check ins check outs and any payment collections or outstanding balances

hotel night audit process a comprehensive guide hotelogix - Sep 07 2023

web oct 1 2023 in this blog we will explain how to do night audit at a hotel with a cloud based hotel property management system like hotelogix let s know more about the hotel night audit process hotels operate 24 7 with guest check in and check out happening throughout the day with every check out hoteliers must track transactions done through

revealing the ultimate hotel night audit checklist with a pdf - Aug 26 2022

web jul 7 2023 a hotel night audit is vital for effectively cost steering a checklist perhaps just the thing you need to operate your choose effectively inside the upcoming days a hotel night audit remains crucial required effective cost control

internal audit checklist for hotels enterslice - Nov 16 2021

web sep 21 2023 there are seven types of hotel audits which are defined below rate availability audits these are the most common types of hotel audits it exists to keep a check on the rates agreement terms with the suppliers etc this audit also validates that the rates are loaded on specific dates at the right price

what is a night audit in hotel management definition and types indeed - Dec 30 2022

web updated june 24 2022 at many hotels the front desk remains open 24 hours a day to maintain operations and meet the guests needs one tool that helps managers keep the hotel functioning efficiently is a night audit which summarizes the financial transactions that occur at the hotel s front desk each day

hotelogix blog tips trends in hospitality - Jan 19 2022

web oct 1 2023 night audit how to do night audit at a hotel with a hotelogix cloud hotel pms prabhash bhatnagar oct 1 2023 unveiling hotel guest personas a strategic approach to understanding your guests hotelogix oct 19 2023 mastering hotel compset analysis to drive growth with a competitive edge hotelogix oct 19 2023

glossary of hotel management technical terms night audit - Jul 25 2022

web night audit night audit is the control process whereby the financial activity of guests accounts is maintained and balanced on a daily basis

hotel checklists housekeeping maintenance more goaudits - Mar 21 2022

web hotel checklists for your quality audits improve quality brand compliance and guest satisfaction with our audit checklists for hotels and other accommodation and leisure facilities find the right template for your audits quality assurance

housekeeping maintenance internal audits health safety and much more book demo try for

[18 free fillable night audit checklist templates printable pdf](#) - May 23 2022

web jul 12 2023 a night audit checklist template is an important document that helps hotel staff ensure that all necessary procedures are completed at the end of each day this ensures that all revenue is collected guest accounts are up to date and any discrepancies are handled promptly here s how you can easily create a night audit checklist for your

[revealing the ultimate hotel night audit checklist with a pdf](#) - Apr 02 2023

web jul 7 2023 having a hotel night audit checklist can guarantee that all departments in the hotel are working in proper sync as a result it helps in maintaining the thoroughness and reliability of front office accounting the most appropriate time for performing a night audit is either late night or early morning hours so why is this considered a

hotel night audit end of day process hotels resorts - Aug 06 2023

web article about the end of day night audit process checklist in hotels front office audit is usually referred as night audit because hotels generally perform it during the late evening hours

night audit and all you need to know about it hospitality net - Mar 01 2023

web apr 7 2021 the night audit closes the books on one hotel day and opens the books on another the main purpose of a night audit is to verify the accuracy and completeness of guest and non guest records but

hotel night auditor what is it and what are their duties - Sep 26 2022

web dec 9 2022 1 what is a hotel night auditor 2 job description what does a night auditor do 3 duties and responsibilities

how to perform a night audit at your hotel 3 1 what to look for

[what does a night auditor do in a hotel hotel tech report](#) - Jun 23 2022

web jul 19 2023 the night auditor plays a crucial role in the hotel industry specifically at the front desk during the overnight shift as a key member of the hotel s front office team the night auditor is responsible for various tasks related to financial records and guest service

revealing the ultimate hotel night audit checklist with a pdf - Oct 08 2023

web here is a mandatory hotel night audit checklist you need to keep handy w 1 manage your reservations review each reservation that has been made for the day make sure all transactions affecting guest and non guest accounts have been posted to the appropriate folio before the day ends

[how to simplify the night audit process roomkeypms](#) - Oct 28 2022

web sep 3 2019 a hotel s night audit is an important and mandatory process which closes out one day s transactions in order to start fresh for the following day the night audit reconciles the balances of each guest ledger verifies daily financial transactions tracks occupancy rates reports revenues and reviews the overall operational effectiveness of

night audit checklist pdf hotel anywhere night audit - Dec 18 2021

web aug 16 2022 1 hotel anywhere night audit checklist hilton onq support center main telephone numbers 1 800 help help 1 800 435 7435 alternate telephone numbers 1 877 435 7435 1 800 664 4321 1 901 748 7821 to open a chat session or a web ticket to open an email ticket email protected complete task to complete confirm that

[night audit at a hotel bringing it all together hotelfriend](#) - Jan 31 2023

web apr 13 2021 the hotel night audit process may differ depending on the size and type of hotel and include customer service front desk administrative roles and maintenance duties the hotel night auditors play an important part in efficient hotel functioning

[hotel night audit automation a better way to work mews](#) - Apr 21 2022

web 21 jul 2020 4 minute read tom brown the mews blog hotel night audit automation a better way to work the night audit three simple words that have the power to make hotel staff around the world shudder in anticipation of long

how to do a night audit at a hotel a step by step guide - Feb 17 2022

web apr 11 2023 an comprehensive guide on how to do night audit at a hotel with a cloud based hotel pms see hotelogix a comprehensive guide on as to do night audit at a

9783789113512 lotta und klicks bilderbuch das bereits bei - Apr 14 2022

web lotta und klicks bilderbuch das bereits bei kindern ab 4 jahren medienkompetenz schafft ohne pädagogischen zeigefinger finden sie alle bücher von wockenfuß benjamin bei der büchersuchmaschine eurobuch ch können sie

antiquarische und neubücher vergleichen und sofort zum bestpreis bestellen 9783789113512

[lotta und klicks gebundenes buch k kreutzmann gmbh](#) - Sep 19 2022

web sep 23 2019 montagmorgen bei lottas familie alle trödeln herum papa muss dringend noch e mails beantworten und drückt lotta und ihrem kleinen bruder lukas so lange das smartphone in die hand nicht mal familienhund k

lotta und klicks verlagsgruppe oetinger - Aug 31 2023

web sep 23 2019 das buch lotta und klicks ist ein baustein in dem medienkompetenz projekt digikids das in kooperation mit der hessischen landesstelle für suchtfragen e v und der techniker krankenkasse entstanden ist benjamin wockenfuß war projektleiter bei digikids von 2017 bis 2020

lotta und klicks von benjamin wockenfuß studibuch - Mar 14 2022

web montagmorgen bei lottas familie alle trödeln herum papa muss dringend noch e mails beantworten und drückt lotta und ihrem kleinen bruder

lotta und klicks wockenfuß benjamin mytoys - Jan 12 2022

web montagmorgen bei lottas familie alle trödeln herum papa muss dringend noch e mails beantworten und drückt lotta und ihrem kleinen bruder lukas so lange das smartphone in die hand nicht mal familienhund klicks kann die beiden ablenken so vertieft sind sie in die digitale welt Über homeoffice und smartphone beschäftigung vergessen alle die

lotta und klicks bücher portofrei bestellen bei bücher de - Nov 21 2022

web produktbeschreibung montagmorgen bei lottas familie alle trödeln herum papa muss dringend noch e mails beantworten und drückt lotta und ihrem kleinen bruder lukas so lange das smartphone in die hand nicht mal familienhund klicks kann die beiden ablenken so vertieft sind sie in die digitale welt

[suchergebnis auf amazon de für lotta und klicks](#) - Jun 16 2022

web suchergebnis auf amazon de für lotta und klicks zum hauptinhalt wechseln de hallo lieferadresse wählen alle wähle die kategorie aus in der du suchen möchtest suche amazon de de hallo anmelden konto und listen warenrücksendungen und bestellungen einkaufs wagen einkaufswagen

lotta und klicks für vorschule kita lehrerwelt de - Mar 26 2023

web das buch lotta und klicks ist ein baustein in dem medienkompetenz projekt digikids das in kooperation mit der hessischen landesstelle für suchtfragen e v und der techniker krankenkasse entstanden ist benjamin wockenfuß

lotta und klicks unser bilderbuch für digitalkompetenz - May 16 2022

web aug 6 2021 eine spannende vorlesegeschichte bei der lotta abenteuer mit und ohne smartphone erlebt warum haben wir uns hören sie lotta und klicks unser bilderbuch für digitalkompetenz von digikids sofort auf ihrem tablet telefon oder im browser kein herunterladen erforderlich

lotta und klicks gebundenes buch kulturbuchhandlung jastram - Oct 21 2022

web montagmorgen bei lottas familie alle trödeln herum papa muss dringend noch e mails beantworten und drückt lotta und ihrem kleinen bruder lukas so lange das smartphone in die hand nicht mal familienhund k

lotta und klicks ein bilderbuch für mehr digitalkompetenz - May 28 2023

web lotta und klicks ist nicht irgendein kinderbuch sondern eine tolle erzählung bei der sich kinder und vorlesende aktiv und kreativ mit digitalkompetenzen und digitalen medien für kinder auseinandersetzen können nicht als schwere pädagogische präventionslektüre sondern als spannende abenteuergeschichte die freude bereitet und zur

digikids lotta und klicks apple podcasts - Feb 10 2022

web in dieser folge möchten wir euch unser kinderbilderbuch lotta und klicks vorstellen eine spannende vorlesegeschichte bei der lotta abenteuer mit und ohne smartphone erlebt warum haben wir uns in dem präventionsprojekt digikids dazu entschlossen ein kinderbilderbuch als präventionswerkzeug zu publ

lotta und klicks benjamin wockenfuß google books - Dec 23 2022

web montagmorgen bei lottas familie alle trödeln herum papa muss dringend noch e mails beantworten und drückt lotta und ihrem kleinen bruder lukas so lange das smartphone in die hand nicht mal familienhund klicks kann die beiden ablenken so vertieft sind sie in die digitale welt

lotta und klicks von benjamin wockenfuß buch 978 3 - Jul 30 2023

web beschreibung montagmorgen bei lottas familie alle trödeln herum papa muss dringend noch e mails beantworten und drückt lotta und ihrem kleinen bruder lukas so lange das smartphone in die hand nicht mal familienhund klicks kann die beiden ablenken so vertieft weiterlesen

lotta und klicks unser bilderbuch für digitalkompetenz - Jul 18 2022

web aug 6 2021 lotta und klicks unser bilderbuch für digitalkompetenz digikids in dieser folge möchten wir euch unser kinderbilderbuch lotta und klicks vorstellen eine spannende vorlesegeschichte bei der lotta abenteuer mit und ohne smartphone erlebt

lotta und klicks kinderbuch digikids - Jun 28 2023

web lotta und klicks richtet sich an eltern pädagogische fachkräfte und an alle die gerne vorlesen und sich bilderbücher anschauen das buch wird im rahmen des projektes digikids in kindertageseinrichtungen eingesetzt erschienen ist lotta und klicks im oetinger verlag isbn 978 3 7891 1351 2

lotta und klicks lesejury - Jan 24 2023

web sep 23 2019 das buch lotta und klicks ist ein baustein in dem medienkompetenz projekt digikids das in kooperation mit der hessischen landesstelle für suchtfagen e v und der techniker krankenkasse entstanden ist benjamin wockenfuß war

projektleiter bei digikids von 2017 bis 2020

lotta und klicks bilderbuch das bereits bei kindern ab 4 jahren - Apr 26 2023

web lotta und klicks bilderbuch das bereits bei kindern ab 4 jahren medienkompetenz schafft ohne pädagogischen zeigefinger wockenfuß benjamin messing stefanie silberstein schlecky isbn 9783789113512 kostenloser versand für alle bücher mit versand und verkauf duch amazon

lotta und klicks von benjamin wockenfuß lehmanns de - Feb 22 2023

web das buch lotta und klicks ist ein baustein in dem medienkompetenz projekt digikids das in kooperation mit der hessischen landesstelle für suchtfraagen e v und der techniker krankenkasse entstanden ist benjamin wockenfuß war projektleiter bei digikids von 2017 bis 2020 mit einem vorwort von buchautor schauspieler blogger und grimme

wockenfuß benjamin lotta und klicks - Aug 19 2022

web lotta und klicks von benjamin wockenfuß illustrator messing stefanie verlag oetinger hardcover gebundene ausgabe isbn 978 3 7891 1351 2 erschienen am 23 09 2019 sprache deutsch format 28 7 cm x 22 2 cm x 1 3 cm gewicht 359 gramm umfang 32 seiten ab 4 jahre preis 13 00 keine versandkosten inland jetzt bestellen und