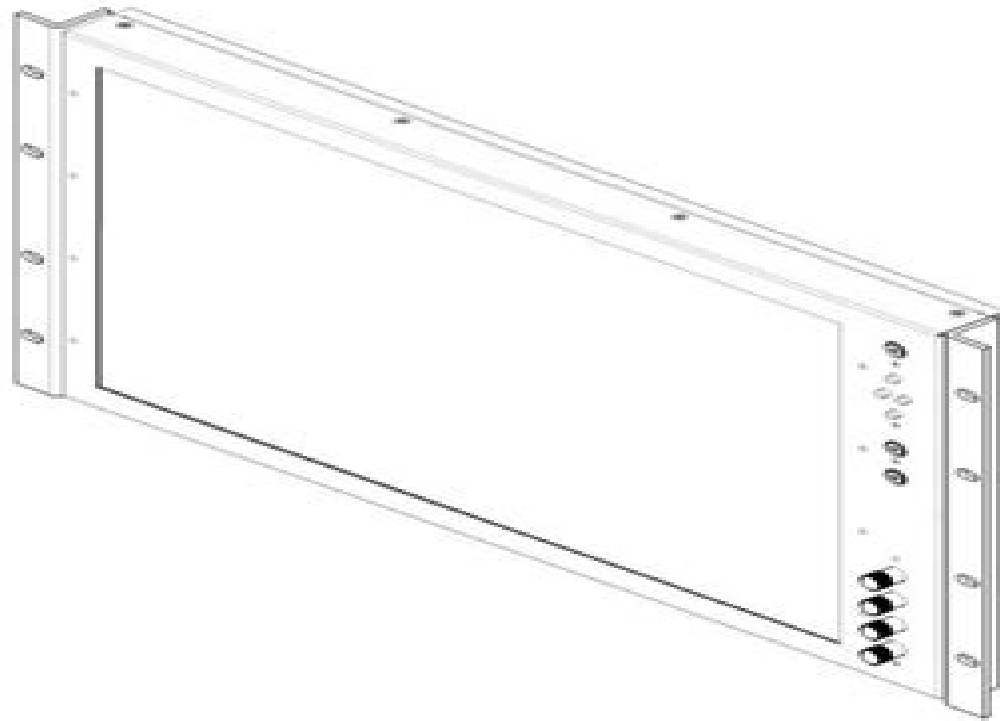


V-R171-IMD-HDSDI

High Definition LCD Monitor with In-Monitor Display



Operating Instructions

Marshall Electronics V R104dp Hdsdi Monitors Owners Manual

AN Whitehead



Marshall Electronics V R104dp Hdsdi Monitors Owners Manual:

The book delves into Marshall Electronics V R104dp Hdsdi Monitors Owners Manual. Marshall Electronics V R104dp Hdsdi Monitors Owners Manual is a vital topic that must be grasped by everyone, ranging from students and scholars to the general public. The book will furnish comprehensive and in-depth insights into Marshall Electronics V R104dp Hdsdi Monitors Owners Manual, encompassing both the fundamentals and more intricate discussions.

1. The book is structured into several chapters, namely:
 - Chapter 1: Introduction to Marshall Electronics V R104dp Hdsdi Monitors Owners Manual
 - Chapter 2: Essential Elements of Marshall Electronics V R104dp Hdsdi Monitors Owners Manual
 - Chapter 3: Marshall Electronics V R104dp Hdsdi Monitors Owners Manual in Everyday Life
 - Chapter 4: Marshall Electronics V R104dp Hdsdi Monitors Owners Manual in Specific Contexts
 - Chapter 5: Conclusion
 2. In chapter 1, the author will provide an overview of Marshall Electronics V R104dp Hdsdi Monitors Owners Manual. This chapter will explore what Marshall Electronics V R104dp Hdsdi Monitors Owners Manual is, why Marshall Electronics V R104dp Hdsdi Monitors Owners Manual is vital, and how to effectively learn about Marshall Electronics V R104dp Hdsdi Monitors Owners Manual.
 3. In chapter 2, the author will delve into the foundational concepts of Marshall Electronics V R104dp Hdsdi Monitors Owners Manual. This chapter will elucidate the essential principles that need to be understood to grasp Marshall Electronics V R104dp Hdsdi Monitors Owners Manual in its entirety.
 4. In chapter 3, this book will examine the practical applications of Marshall Electronics V R104dp Hdsdi Monitors Owners Manual in daily life. This chapter will showcase real-world examples of how Marshall Electronics V R104dp Hdsdi Monitors Owners Manual can be effectively utilized in everyday scenarios.
 5. In chapter 4, this book will scrutinize the relevance of Marshall Electronics V R104dp Hdsdi Monitors Owners Manual in specific contexts. This chapter will explore how Marshall Electronics V R104dp Hdsdi Monitors Owners Manual is applied in specialized fields, such as education, business, and technology.
 6. In chapter 5, this book will draw a conclusion about Marshall Electronics V R104dp Hdsdi Monitors Owners Manual. The final chapter will summarize the key points that have been discussed throughout the book.
- The book is crafted in an easy-to-understand language and is complemented by engaging illustrations. It is highly recommended for anyone seeking to gain a comprehensive understanding of Marshall Electronics V R104dp Hdsdi Monitors Owners Manual.

<https://www.splashdogs.com/About/publication/default.aspx/increasing%20intake%20interview%20skills%20a%20creative%20approach.pdf>

Table of Contents Marshall Electronics V R104dp Hdsdi Monitors Owners Manual

1. Understanding the eBook Marshall Electronics V R104dp Hdsdi Monitors Owners Manual
 - The Rise of Digital Reading Marshall Electronics V R104dp Hdsdi Monitors Owners Manual
 - Advantages of eBooks Over Traditional Books
2. Identifying Marshall Electronics V R104dp Hdsdi Monitors Owners Manual
 - Exploring Different Genres
 - Considering Fiction vs. Non-Fiction
 - Determining Your Reading Goals
3. Choosing the Right eBook Platform
 - Popular eBook Platforms
 - Features to Look for in an Marshall Electronics V R104dp Hdsdi Monitors Owners Manual
 - User-Friendly Interface
4. Exploring eBook Recommendations from Marshall Electronics V R104dp Hdsdi Monitors Owners Manual
 - Personalized Recommendations
 - Marshall Electronics V R104dp Hdsdi Monitors Owners Manual User Reviews and Ratings
 - Marshall Electronics V R104dp Hdsdi Monitors Owners Manual and Bestseller Lists
5. Accessing Marshall Electronics V R104dp Hdsdi Monitors Owners Manual Free and Paid eBooks
 - Marshall Electronics V R104dp Hdsdi Monitors Owners Manual Public Domain eBooks
 - Marshall Electronics V R104dp Hdsdi Monitors Owners Manual eBook Subscription Services
 - Marshall Electronics V R104dp Hdsdi Monitors Owners Manual Budget-Friendly Options
6. Navigating Marshall Electronics V R104dp Hdsdi Monitors Owners Manual eBook Formats
 - ePub, PDF, MOBI, and More
 - Marshall Electronics V R104dp Hdsdi Monitors Owners Manual Compatibility with Devices
 - Marshall Electronics V R104dp Hdsdi Monitors Owners Manual Enhanced eBook Features

7. Enhancing Your Reading Experience
 - Adjustable Fonts and Text Sizes of Marshall Electronics V R104dp Hdsdi Monitors Owners Manual
 - Highlighting and Note-Taking Marshall Electronics V R104dp Hdsdi Monitors Owners Manual
 - Interactive Elements Marshall Electronics V R104dp Hdsdi Monitors Owners Manual
8. Staying Engaged with Marshall Electronics V R104dp Hdsdi Monitors Owners Manual
 - Joining Online Reading Communities
 - Participating in Virtual Book Clubs
 - Following Authors and Publishers Marshall Electronics V R104dp Hdsdi Monitors Owners Manual
9. Balancing eBooks and Physical Books Marshall Electronics V R104dp Hdsdi Monitors Owners Manual
 - Benefits of a Digital Library
 - Creating a Diverse Reading Collection Marshall Electronics V R104dp Hdsdi Monitors Owners Manual
10. Overcoming Reading Challenges
 - Dealing with Digital Eye Strain
 - Minimizing Distractions
 - Managing Screen Time
11. Cultivating a Reading Routine Marshall Electronics V R104dp Hdsdi Monitors Owners Manual
 - Setting Reading Goals Marshall Electronics V R104dp Hdsdi Monitors Owners Manual
 - Carving Out Dedicated Reading Time
12. Sourcing Reliable Information of Marshall Electronics V R104dp Hdsdi Monitors Owners Manual
 - Fact-Checking eBook Content of Marshall Electronics V R104dp Hdsdi Monitors Owners Manual
 - Distinguishing Credible Sources
13. Promoting Lifelong Learning
 - Utilizing eBooks for Skill Development
 - Exploring Educational eBooks
14. Embracing eBook Trends
 - Integration of Multimedia Elements
 - Interactive and Gamified eBooks

Marshall Electronics V R104dp Hdsdi Monitors Owners Manual Introduction

In the digital age, access to information has become easier than ever before. The ability to download Marshall Electronics V

R104dp Hdspi Monitors Owners Manual has revolutionized the way we consume written content. Whether you are a student looking for course material, an avid reader searching for your next favorite book, or a professional seeking research papers, the option to download Marshall Electronics V R104dp Hdspi Monitors Owners Manual has opened up a world of possibilities. Downloading Marshall Electronics V R104dp Hdspi Monitors Owners Manual provides numerous advantages over physical copies of books and documents. Firstly, it is incredibly convenient. Gone are the days of carrying around heavy textbooks or bulky folders filled with papers. With the click of a button, you can gain immediate access to valuable resources on any device. This convenience allows for efficient studying, researching, and reading on the go. Moreover, the cost-effective nature of downloading Marshall Electronics V R104dp Hdspi Monitors Owners Manual has democratized knowledge. Traditional books and academic journals can be expensive, making it difficult for individuals with limited financial resources to access information. By offering free PDF downloads, publishers and authors are enabling a wider audience to benefit from their work. This inclusivity promotes equal opportunities for learning and personal growth. There are numerous websites and platforms where individuals can download Marshall Electronics V R104dp Hdspi Monitors Owners Manual. These websites range from academic databases offering research papers and journals to online libraries with an expansive collection of books from various genres. Many authors and publishers also upload their work to specific websites, granting readers access to their content without any charge. These platforms not only provide access to existing literature but also serve as an excellent platform for undiscovered authors to share their work with the world. However, it is essential to be cautious while downloading Marshall Electronics V R104dp Hdspi Monitors Owners Manual. Some websites may offer pirated or illegally obtained copies of copyrighted material. Engaging in such activities not only violates copyright laws but also undermines the efforts of authors, publishers, and researchers. To ensure ethical downloading, it is advisable to utilize reputable websites that prioritize the legal distribution of content. When downloading Marshall Electronics V R104dp Hdspi Monitors Owners Manual, users should also consider the potential security risks associated with online platforms. Malicious actors may exploit vulnerabilities in unprotected websites to distribute malware or steal personal information. To protect themselves, individuals should ensure their devices have reliable antivirus software installed and validate the legitimacy of the websites they are downloading from. In conclusion, the ability to download Marshall Electronics V R104dp Hdspi Monitors Owners Manual has transformed the way we access information. With the convenience, cost-effectiveness, and accessibility it offers, free PDF downloads have become a popular choice for students, researchers, and book lovers worldwide. However, it is crucial to engage in ethical downloading practices and prioritize personal security when utilizing online platforms. By doing so, individuals can make the most of the vast array of free PDF resources available and embark on a journey of continuous learning and intellectual growth.

FAQs About Marshall Electronics V R104dp Hdspi Monitors Owners Manual Books

What is a Marshall Electronics V R104dp Hdspi Monitors Owners Manual PDF? A PDF (Portable Document Format) is a file format developed by Adobe that preserves the layout and formatting of a document, regardless of the software, hardware, or operating system used to view or print it. **How do I create a Marshall Electronics V R104dp Hdspi Monitors Owners Manual PDF?** There are several ways to create a PDF: Use software like Adobe Acrobat, Microsoft Word, or Google Docs, which often have built-in PDF creation tools. Print to PDF: Many applications and operating systems have a "Print to PDF" option that allows you to save a document as a PDF file instead of printing it on paper. Online converters: There are various online tools that can convert different file types to PDF. **How do I edit a Marshall Electronics V R104dp Hdspi Monitors Owners Manual PDF?** Editing a PDF can be done with software like Adobe Acrobat, which allows direct editing of text, images, and other elements within the PDF. Some free tools, like PDFescape or Smallpdf, also offer basic editing capabilities. **How do I convert a Marshall Electronics V R104dp Hdspi Monitors Owners Manual PDF to another file format?** There are multiple ways to convert a PDF to another format: Use online converters like Smallpdf, Zamzar, or Adobe Acrobat's export feature to convert PDFs to formats like Word, Excel, JPEG, etc. Software like Adobe Acrobat, Microsoft Word, or other PDF editors may have options to export or save PDFs in different formats. **How do I password-protect a Marshall Electronics V R104dp Hdspi Monitors Owners Manual PDF?** Most PDF editing software allows you to add password protection. In Adobe Acrobat, for instance, you can go to "File" -> "Properties" -> "Security" to set a password to restrict access or editing capabilities. Are there any free alternatives to Adobe Acrobat for working with PDFs? Yes, there are many free alternatives for working with PDFs, such as: LibreOffice: Offers PDF editing features. PDFsam: Allows splitting, merging, and editing PDFs. Foxit Reader: Provides basic PDF viewing and editing capabilities. How do I compress a PDF file? You can use online tools like Smallpdf, ILovePDF, or desktop software like Adobe Acrobat to compress PDF files without significant quality loss. Compression reduces the file size, making it easier to share and download. Can I fill out forms in a PDF file? Yes, most PDF viewers/editors like Adobe Acrobat, Preview (on Mac), or various online tools allow you to fill out forms in PDF files by selecting text fields and entering information. Are there any restrictions when working with PDFs? Some PDFs might have restrictions set by their creator, such as password protection, editing restrictions, or print restrictions. Breaking these restrictions might require specific software or tools, which may or may not be legal depending on the circumstances and local laws.

Find Marshall Electronics V R104dp Hdspi Monitors Owners Manual :

[increasing intake interview skills a creative approach](#)

incident commander field reference guide

[independent events algebra homework answer key](#)

in the house of the interpreter a memoir

[image from sd mikroc](#)

[in memoriam a celebration](#)

imaje s8 operation manual

improving vocabulary skills 3rd edition answers

image resize guide1 0 2

[immortal life of henrietta lacks book](#)

inc 1 wgu pre assessment guide

incidences lamour est un crime parfait

[imagine it decodables second grade](#)

[imso sd provinsi jawa barat](#)

[im gluumlcklichen doumlrfl](#)

Marshall Electronics V R104dp Hdspi Monitors Owners Manual :

[haas learning resources lathe operator s manual - Feb 09 2023](#)

[web myhaas welcome haas toolmaking dinner order history myhaas haasconnect signal in register haas tooling my account order history reset history myhaas haasconnect sign out welcome insert machines latest activity i quotes my account my users sign out dinner order history myhaas haasconnect signal in register haas tooling my account](#)

[unit 6 haas control manufacturing processes 4 5 - Mar 10 2023](#)

[web turn on spindle speed mdi 5 handle jog select handle jog and jog increment 01 6 jog handle as needed select jog direction and use handle as required to place edge finder stylus alongside the left part edge 7 jog increment 001 move edge finder slowly until it just trips off center as shown below](#)

[haas mill control panel mpg youtube - Feb 26 2022](#)

[web may 21 2012 49k views 10 years ago show more overview of the control panel on a haas verticle machining center start up your machine start up your machine 0 04 start](#)

[control simulator haas automation inc - Dec 27 2021](#)

[web the haas control simulator can be initialized as both a mill control and a lathe control dual function keys simplify navigation the ngc software is upgradable to future versions expand your classroom crowding a bunch of students or new](#)

operators around a haas machine or control simulator can make it difficult for everyone to see what s going on
[haas automation wikipedia](#) - Jan 28 2022

web haas automation inc is an american machine tool builder headquartered in oxnard california the company designs and manufactures lower cost machine tools and specialized accessory tooling mostly computer numerically controlled cnc equipment such as vertical machining centers and horizontal machining centers lathes turning centers and

haas ngc next generation control panel overview 101 - Apr 30 2022

web next generation control panel overview describes the latest control panel from haas automation inc the class identifies the different areas of the control keypad and describes the function of each individual key display keys change what information appears on the display screen operators use cursor keys to navigate windows menus and

desktop simulation software that emulates haas simulators - Aug 03 2022

web mar 24 2020 we run haas 3 axis machines and only use haas simulators so that is what i am familir with and expected to understand by the course i would like a desktop simulation program to look just like the haas simulators so that i

haas mills control panel assistance - Nov 06 2022

web jan 22 2015 i will be running mach3 4 under the covers but want the look of the current haas control panel the panel and pc will be shared amount my mill lathe and router this is the panel i want to re create closest i ll get to owning a haas will be making my control panel look like one

[what is haas control fanuc control difference between](#) - Sep 04 2022

web nov 9 2020 the haas control is a type of cnc control designed and built in house for haas machine tools including vertical machining centers horizontal machining centers cnc lathes and more haas control is easy to learn and use and it is the same across the entire product line

haas control training video youtube - Jun 01 2022

web 43k views 3 years ago overview of haas ngc mill control test video of control training layout hoping the test run can help some people out before a better quality version can be produced intro

haas lathe panel tutorial powerpoint ppt - Jul 02 2022

web haas lathe panel tutorial description press hand jog use d pad to navigate to tool offsets press enter enter desired spindle speed rpm with num pad press fwd skim surface of part powerpoint ppt presentation number of

haas learning resources - Apr 11 2023

web the haas lathe operator s manual contains a programming chapter that is a great resource for students teachers and any machinist in addition to basic programming you ll find information about program editing tool nose compensation canned cycles sub programs and even advanced programming techniques for y axis machining

software available for download from haas portal - Jun 13 2023

web the items below list different types of software and their paths on the haas portal mill control software service documents and software control software mill mill xxx xxx zip lathe control software service documents and software control software lathe lathe xxx xxx zip

5 lathe control display haas automation inc - Jul 14 2023

web 5 1 overview control display the control display is organized into panes that change with the different machine and display modes basic control display layout in operation mem mode while a program runs mode network and time status bar program display main display size varies program offsets current

where can i find a free simulator of haas cnc control box r cnc reddit - Mar 30 2022

web honestly haas control takes about 30 mins to learn there are some tricks and shortcuts that take time to find but you can be self taught in an hour

haas lathe classic control panel overview 256 tooling u sme - Dec 07 2022

web the classic haas control chc lathe control panel has three distinct regions manual controls of the haas lathe such as the handle emergency stop and feed hold key function much like the manual controls of other machines

18 lathe settings haas automation inc - May 12 2023

web 5 lathe control display 6 lathe device manager 7 lathe touchscreen feature 8 lathe part setup 9 lathe control icons 10 lathe operation 11 lathe programming 12 lathe macros 13 lathe options programming 14 lathe probing 15 lathe remote jog handle 16 lathe g codes 17 lathe m codes 18

meam design tl 1 - Oct 05 2022

web tl 1 cnc lathe guide welcome to a quick start guide to the haas tl 1 lathe this step by step guide will walk you through the machine start up setting offsets and loading your program into the machine 1

haas mill controller panel and display instructables - Jan 08 2023

web control panel the control panel for the mill is laid out in groups of keys that have related functions function keys jog keys override keys display keys cursor keys alpha keys mode keys numeric keys mode key details the mode keys work differently than the other keys the first column of keys puts the machine into a specific mode

the haas control - Aug 15 2023

web designed built programmed by haas the haas control hardware and software is designed and built in house and optimized specifically for haas machine tools if there is a problem haas automation takes full responsibility for the entire machine the haas control is easy to learn and use and it is the same across the entire

les vacances de method s mathématiques de la 1ère s à la - Mar 21 2022

web may 14 2013 pour vous aider à réussir votre entrée en première tout en profitant de l'été pour vous détendre ce cahier de vacances vous propose de réviser les outils de base

les vacances de method s maths de la terminale s aux prépas - Jan 19 2022

web may 14 2013 mathématiques de la première s à la terminale s les vacances de method s auteur s petit thomas illustrations de gilles macagno méthodix

les vacances de method s maths de la terminale s copy dev sfcg - Apr 21 2022

web les vacances de method s mathématiques de la 1ère s à la terminale s 2729834109 livre scolaire lycée cultura les vacances de method s mathématiques de la

mathématiques de la première s à la terminale s les vacances - Dec 18 2021

method s maths terminale s pdf prof - Jun 23 2022

web avec en bonus la saga des merveilles mathématiques de l'antiquité à nos jours des jeux mathématiques 100 intelligents sudokus kakuros carrés magiques hanjies

les vacances de method s maths de la première s à la - Sep 07 2023

web pour vous aider à réussir votre entrée en terminale tout en profitant de l'été pour vous détendre ce cahier de vacances vous propose de réviser les outils de base de

les vacances de method s maths de la première s - Oct 28 2022

web may 7 2013 découvrez et achetez le livre maths de la 1re s vers la terminale s les vacances de method s écrit par thomas petit chez ellipses sur lalibrairie com en

les vacances de method s de la seconde à la première s decitre - Jul 25 2022

web 24 sept 2022 if you ally habit such a referred les vacances de method s maths de la terminale s books that will pay for you worth get the utterly best exercices de

mathématiques les vacances de method s de la terminale s - Oct 08 2023

web apr 1 2014 pour vous aider à réussir votre entrée en prépa tout en profitant de l'été pour vous détendre ce cahier de vacances vous propose de réviser les outils de base de

mathématiques de la seconde à la première s les vacances de - Feb 17 2022

web pour vous aider à réussir votre entrée en prépa tout en profitant de l'été pour vous détendre ce cahier de vacances vous propose de réviser les outils de base de

mathématiques les vacances de method s de la terminale s - Apr 02 2023

web jun 2 2020 mathématiques de la première à la terminale les vacances de method nouveaux programmes thomas petit

xavier merlin gilles macagno ellipses des

les vacances de mathématiques de la terminale - Jun 04 2023

web mathématiques de la première s à la terminale s les vacances de mathématiques thomas petit de illustrations ellipses des milliers de livres avec la livraison chez vous en 1 jour

mathématiques les vacances de mathématiques de la terminale es - Aug 26 2022

web apr 14 2008 les vacances de mathématiques de la seconde à la première s mathématiques de thomas petit collection methodix livraison gratuite à 0 01 dès

les vacances de mathématiques de la première s à la terminale s - Jan 31 2023

web dec 4 2003 in 4 broché bon état couv convenable dos satisfaisant intérieur frais 187 pages illustrées de nombreuses figures classification dewey 372 7 livre scolaire

les vacances de mathématiques de la terminale s aux prépas - Aug 06 2023

web il contient des fiches de notions de cours pour réviser la terminale s et découvrir la prépa scientifique les célèbres méthodes à connaître des vrai ou faux pour évaluer

les vacances de mathématiques de la première à - Jul 05 2023

web aug 2 2023 les vacances de mathématiques de la terminale s aux prépas scientifiques par thomas petit aux éditions ellipses vous venez de terminer votre bac s

mathématiques de la première à la terminale les vacances de - Mar 01 2023

web apr 14 2008 pour vous aider à réussir votre entrée en terminale tout en profitant de l été pour vous détendre ce cahier de vacances vous propose de réviser les outils de base

les vacances de mathématiques de terminale s aux prépas - Nov 28 2022

web bon état couv convenable dos satisfaisant intérieur frais 187 pages illustrées de nombreuses figures classification dewey 372 7 livre scolaire mathématiques

les vacances de mathématiques de la 1re s vers la terminale s - Sep 26 2022

web pour vous aider à réussir votre entrée en prépa tout en profitant de l été pour vous détendre ce cahier de vacances vous propose de réviser les outils de base de

les vacances de mathématiques de la seconde à la première s - May 23 2022

web les vacances de mathématiques de la première s à la terminale s direct from france le nouveau planète bibliographie de la france livres du mois janvier

mathématiques de la première s à la terminale s les vacances - May 03 2023

web pour vous aider à réussir votre entrée en prépa tout en profitant de l été pour vous détendre ce cahier de vacances vous

propose de réviser les outils de base de

les vacances de method s maths de la premiere s - Dec 30 2022

web pour vous aider à réussir votre entrée en prépa tout en profitant de l été pour vous détendre ce cahier de vacances vous

propose de réviser les outils de base de

browse quicklinks books world wars usborne be curious - Jun 13 2023

web age 8 show me the links sticker second world war find out about key people and events of the second world war age 6

show me the links the world wars learn all

sticker second world war usborne quicklinks be curious - Nov 25 2021

web find hand picked links to websites with facts and videos about the key people events and equipment of world war one and world war two

sticker world wars usborne quicklinks be curious - Feb 09 2023

web we would like to show you a description here but the site won t allow us

sticker the world wars usborne activities media bekonscot co - Sep 04 2022

web sticker the world wars usborne activities pdf pages 2 4 sticker the world wars usborne activities pdf upload jason r

williamson 2 4 downloaded from black ortax org

sticker world wars usborne quicklinks be curious - Sep 23 2021

sticker the world wars usborne activities by struan reid - Oct 05 2022

web follow the course of the first and second world wars and use over 320 stickers to get soldiers sailors and airmen ready for action in this historical sticker book little

sticker world wars sticker activities bookoutlet com - Mar 30 2022

web by charlieorourke from 1 57 keep all canadians busy beaver ww1 propaganda sticker by warishellstore from 1 79

propaganda poster wwii united we are

sticker the world wars usborne activities sticker dressing s - Dec 07 2022

web find hand picked links to websites with facts and videos about the key people events and equipment of world war one and world war two

children s books for all ages usborne publishing - Jan 08 2023

web nov 29 2022 find many great new used options and get the best deals for sticker the world wars usborne activities

sticker dressing s at the best online prices at

sticker world wars usborne quicklinks be curious - Mar 10 2023

web find hand picked links to websites with facts and videos about the key people events and equipment of world war one and world war two

[sticker world wars usborne quicklinks be curious](#) - Oct 25 2021

sticker the world wars usborne activities sticker dressing - Apr 11 2023

web find hand picked links to websites with facts and videos about the key people events and equipment of world war one and world war two

sticker the world wars usborne activities pdf 2023 black ortax - Aug 03 2022

web merely said the sticker the world wars usborne activities is universally compatible with any devices to read design activity book alice james 2021 01 06 an entertaining

sticker picture atlas of the world usborne books - Jan 28 2022

web find out about the second world war from air raids to d day with links to websites where you can watch a short overview of the second world war find out about the jobs of

first world war sticker book information sticker books - May 12 2023

web sticker the world wars usborne activities sticker dressing struan reid lisa jane gillespie amazon com tr kitap

sticker the world wars usborne activities download only - Jun 01 2022

web sticker the world wars usborne activities by lisa jane gillespie follow the course of the first and second world wars using 300 stickers to get soldiers sailors and

flags of the world colouring and sticker book usborne - Dec 27 2021

web find hand picked links to websites with facts and videos about the key people events and equipment of world war one and world war two

[world war 1 stickers for sale redbubble](#) - Feb 26 2022

web may 11 2019 discover the national flag of every independent country in the world in this fascinating sticker and colouring book fix the stickers in place then use them

sticker the world wars usborne activities heather amery - Jul 02 2022

web feb 22 2023 sticker dressing the world wars struan reid 2013 06 01 a sticker book featuring lots of soldiers to dress in historically accurate uniforms it offers an interactive

[sticker the world wars usborne activities by lisa jane gillespie](#) - Apr 30 2022

web follow the course of the first and second world wars and meet some of the people who took part from field marshals ambulance drivers and soldiers in

sticker the world wars usborne activities sticker dressing - Aug 15 2023

web sticker the world wars usborne activities sticker dressing kitap açıklaması follow the course of the first and second world wars using 300 stickers to get soldiers

sticker world wars usborne quicklinks be curious - Nov 06 2022

web sticker the world wars usborne activities by struan reid 2016 04 01 on amazon com free shipping on qualifying offers sticker the world wars usborne

sticker the world wars usborne activities sticker dressing - Jul 14 2023

web apr 1 2016 there are over 320 stickers of uniforms weapons planes and tanks to get soldiers sailors pilots field marshals and ambulance drivers ready for action in this