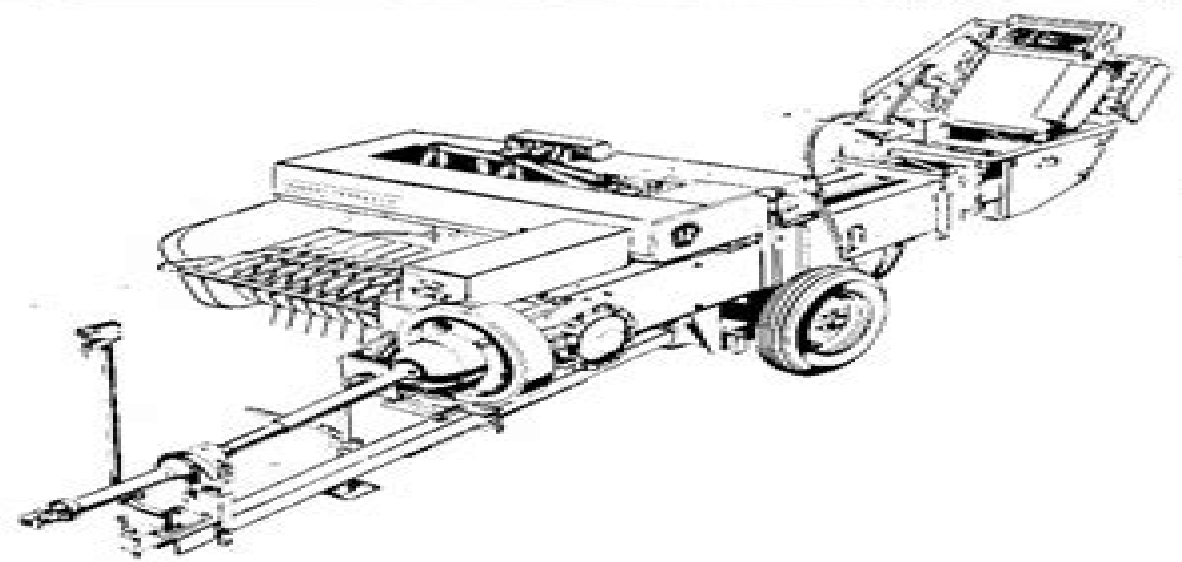


Milton Hatten - 5/5/66

**PARTS BOOK**

**MF 12  
HAY BALER**



**MF** **Massey Ferguson**  
**NORTH AMERICAN PARTS OPERATION**

FORM NO. 651 192 M94

**Massey Ferguson 12 Baler Parts Manual Serial 996  
535911**

**L Reisser**



**Massey Ferguson 12 Baler Parts Manual Serial 996 535911:**

The Top Books of the Year Massey Ferguson 12 Baler Parts Manual Serial 996 535911 The year 2023 has witnessed a remarkable surge in literary brilliance, with numerous captivating novels captivating the hearts of readers worldwide. Lets delve into the realm of bestselling books, exploring the captivating narratives that have enthralled audiences this year. The Must-Read : Colleen Hoover's "It Ends with Us" This touching tale of love, loss, and resilience has captivated readers with its raw and emotional exploration of domestic abuse. Hoover masterfully weaves a story of hope and healing, reminding us that even in the darkest of times, the human spirit can prevail. Massey Ferguson 12 Baler Parts Manual Serial 996 535911 : Taylor Jenkins Reids "The Seven Husbands of Evelyn Hugo" This intriguing historical fiction novel unravels the life of Evelyn Hugo, a Hollywood icon who defies expectations and societal norms to pursue her dreams. Reids captivating storytelling and compelling characters transport readers to a bygone era, immersing them in a world of glamour, ambition, and self-discovery. Discover the Magic : Delia Owens "Where the Crawdads Sing" This evocative coming-of-age story follows Kya Clark, a young woman who grows up alone in the marshes of North Carolina. Owens weaves a tale of resilience, survival, and the transformative power of nature, captivating readers with its evocative prose and mesmerizing setting. These popular novels represent just a fraction of the literary treasures that have emerged in 2023. Whether you seek tales of romance, adventure, or personal growth, the world of literature offers an abundance of compelling stories waiting to be discovered. The novel begins with Richard Papen, a bright but troubled young man, arriving at Hampden College. Richard is immediately drawn to the group of students who call themselves the Classics Club. The club is led by Henry Winter, a brilliant and charismatic young man. Henry is obsessed with Greek mythology and philosophy, and he quickly draws Richard into his world. The other members of the Classics Club are equally as fascinating. Bunny Corcoran is a wealthy and spoiled young man who is always looking for a good time. Charles Tavis is a quiet and reserved young man who is deeply in love with Henry. Camilla Macaulay is a beautiful and intelligent young woman who is drawn to the power and danger of the Classics Club. The students are all deeply in love with Morrow, and they are willing to do anything to please him. Morrow is a complex and mysterious figure, and he seems to be manipulating the students for his own purposes. As the students become more involved with Morrow, they begin to commit increasingly dangerous acts. The Secret History is a masterful and thrilling novel that will keep you wondering until the very end. The novel is a cautionary tale about the dangers of obsession and the power of evil.

<https://www.splashdogs.com/About/uploaded-files/default.aspx/Giant%20Eagle%20Cashier%20Training%20Manual.pdf>

## **Table of Contents Massey Ferguson 12 Baler Parts Manual Serial 996 535911**

1. Understanding the eBook Massey Ferguson 12 Baler Parts Manual Serial 996 535911
  - The Rise of Digital Reading Massey Ferguson 12 Baler Parts Manual Serial 996 535911
  - Advantages of eBooks Over Traditional Books
2. Identifying Massey Ferguson 12 Baler Parts Manual Serial 996 535911
  - Exploring Different Genres
  - Considering Fiction vs. Non-Fiction
  - Determining Your Reading Goals
3. Choosing the Right eBook Platform
  - Popular eBook Platforms
  - Features to Look for in an Massey Ferguson 12 Baler Parts Manual Serial 996 535911
  - User-Friendly Interface
4. Exploring eBook Recommendations from Massey Ferguson 12 Baler Parts Manual Serial 996 535911
  - Personalized Recommendations
  - Massey Ferguson 12 Baler Parts Manual Serial 996 535911 User Reviews and Ratings
  - Massey Ferguson 12 Baler Parts Manual Serial 996 535911 and Bestseller Lists
5. Accessing Massey Ferguson 12 Baler Parts Manual Serial 996 535911 Free and Paid eBooks
  - Massey Ferguson 12 Baler Parts Manual Serial 996 535911 Public Domain eBooks
  - Massey Ferguson 12 Baler Parts Manual Serial 996 535911 eBook Subscription Services
  - Massey Ferguson 12 Baler Parts Manual Serial 996 535911 Budget-Friendly Options
6. Navigating Massey Ferguson 12 Baler Parts Manual Serial 996 535911 eBook Formats
  - ePub, PDF, MOBI, and More
  - Massey Ferguson 12 Baler Parts Manual Serial 996 535911 Compatibility with Devices
  - Massey Ferguson 12 Baler Parts Manual Serial 996 535911 Enhanced eBook Features
7. Enhancing Your Reading Experience
  - Adjustable Fonts and Text Sizes of Massey Ferguson 12 Baler Parts Manual Serial 996 535911
  - Highlighting and Note-Taking Massey Ferguson 12 Baler Parts Manual Serial 996 535911
  - Interactive Elements Massey Ferguson 12 Baler Parts Manual Serial 996 535911
8. Staying Engaged with Massey Ferguson 12 Baler Parts Manual Serial 996 535911

- Joining Online Reading Communities
  - Participating in Virtual Book Clubs
  - Following Authors and Publishers Massey Ferguson 12 Baler Parts Manual Serial 996 535911
9. Balancing eBooks and Physical Books Massey Ferguson 12 Baler Parts Manual Serial 996 535911
- Benefits of a Digital Library
  - Creating a Diverse Reading Collection Massey Ferguson 12 Baler Parts Manual Serial 996 535911
10. Overcoming Reading Challenges
- Dealing with Digital Eye Strain
  - Minimizing Distractions
  - Managing Screen Time
11. Cultivating a Reading Routine Massey Ferguson 12 Baler Parts Manual Serial 996 535911
- Setting Reading Goals Massey Ferguson 12 Baler Parts Manual Serial 996 535911
  - Carving Out Dedicated Reading Time
12. Sourcing Reliable Information of Massey Ferguson 12 Baler Parts Manual Serial 996 535911
- Fact-Checking eBook Content of Massey Ferguson 12 Baler Parts Manual Serial 996 535911
  - Distinguishing Credible Sources
13. Promoting Lifelong Learning
- Utilizing eBooks for Skill Development
  - Exploring Educational eBooks
14. Embracing eBook Trends
- Integration of Multimedia Elements
  - Interactive and Gamified eBooks

### **Massey Ferguson 12 Baler Parts Manual Serial 996 535911 Introduction**

Free PDF Books and Manuals for Download: Unlocking Knowledge at Your Fingertips In today's fast-paced digital age, obtaining valuable knowledge has become easier than ever. Thanks to the internet, a vast array of books and manuals are now available for free download in PDF format. Whether you are a student, professional, or simply an avid reader, this treasure trove of downloadable resources offers a wealth of information, conveniently accessible anytime, anywhere. The advent of online libraries and platforms dedicated to sharing knowledge has revolutionized the way we consume information. No longer confined to physical libraries or bookstores, readers can now access an extensive collection of digital books and

manuals with just a few clicks. These resources, available in PDF, Microsoft Word, and PowerPoint formats, cater to a wide range of interests, including literature, technology, science, history, and much more. One notable platform where you can explore and download free Massey Ferguson 12 Baler Parts Manual Serial 996 535911 PDF books and manuals is the internet's largest free library. Hosted online, this catalog compiles a vast assortment of documents, making it a veritable goldmine of knowledge. With its easy-to-use website interface and customizable PDF generator, this platform offers a user-friendly experience, allowing individuals to effortlessly navigate and access the information they seek. The availability of free PDF books and manuals on this platform demonstrates its commitment to democratizing education and empowering individuals with the tools needed to succeed in their chosen fields. It allows anyone, regardless of their background or financial limitations, to expand their horizons and gain insights from experts in various disciplines. One of the most significant advantages of downloading PDF books and manuals lies in their portability. Unlike physical copies, digital books can be stored and carried on a single device, such as a tablet or smartphone, saving valuable space and weight. This convenience makes it possible for readers to have their entire library at their fingertips, whether they are commuting, traveling, or simply enjoying a lazy afternoon at home. Additionally, digital files are easily searchable, enabling readers to locate specific information within seconds. With a few keystrokes, users can search for keywords, topics, or phrases, making research and finding relevant information a breeze. This efficiency saves time and effort, streamlining the learning process and allowing individuals to focus on extracting the information they need. Furthermore, the availability of free PDF books and manuals fosters a culture of continuous learning. By removing financial barriers, more people can access educational resources and pursue lifelong learning, contributing to personal growth and professional development. This democratization of knowledge promotes intellectual curiosity and empowers individuals to become lifelong learners, promoting progress and innovation in various fields. It is worth noting that while accessing free Massey Ferguson 12 Baler Parts Manual Serial 996 535911 PDF books and manuals is convenient and cost-effective, it is vital to respect copyright laws and intellectual property rights. Platforms offering free downloads often operate within legal boundaries, ensuring that the materials they provide are either in the public domain or authorized for distribution. By adhering to copyright laws, users can enjoy the benefits of free access to knowledge while supporting the authors and publishers who make these resources available. In conclusion, the availability of Massey Ferguson 12 Baler Parts Manual Serial 996 535911 free PDF books and manuals for download has revolutionized the way we access and consume knowledge. With just a few clicks, individuals can explore a vast collection of resources across different disciplines, all free of charge. This accessibility empowers individuals to become lifelong learners, contributing to personal growth, professional development, and the advancement of society as a whole. So why not unlock a world of knowledge today? Start exploring the vast sea of free PDF books and manuals waiting to be discovered right at your fingertips.

## **FAQs About Massey Ferguson 12 Baler Parts Manual Serial 996 535911 Books**

How do I know which eBook platform is the best for me? Finding the best eBook platform depends on your reading preferences and device compatibility. Research different platforms, read user reviews, and explore their features before making a choice. Are free eBooks of good quality? Yes, many reputable platforms offer high-quality free eBooks, including classics and public domain works. However, make sure to verify the source to ensure the eBook credibility. Can I read eBooks without an eReader? Absolutely! Most eBook platforms offer web-based readers or mobile apps that allow you to read eBooks on your computer, tablet, or smartphone. How do I avoid digital eye strain while reading eBooks? To prevent digital eye strain, take regular breaks, adjust the font size and background color, and ensure proper lighting while reading eBooks. What the advantage of interactive eBooks? Interactive eBooks incorporate multimedia elements, quizzes, and activities, enhancing the reader engagement and providing a more immersive learning experience. Massey Ferguson 12 Baler Parts Manual Serial 996 535911 is one of the best book in our library for free trial. We provide copy of Massey Ferguson 12 Baler Parts Manual Serial 996 535911 in digital format, so the resources that you find are reliable. There are also many Ebooks of related with Massey Ferguson 12 Baler Parts Manual Serial 996 535911. Where to download Massey Ferguson 12 Baler Parts Manual Serial 996 535911 online for free? Are you looking for Massey Ferguson 12 Baler Parts Manual Serial 996 535911 PDF? This is definitely going to save you time and cash in something you should think about.

## **Find Massey Ferguson 12 Baler Parts Manual Serial 996 535911 :**

~~giant eagle cashier training manual~~

*geriatric medicine survival handbook*

~~ghana rme syllabus~~

**germany germany guide guide insight insight**

**gilat numerical methods solutions manual**

**giovanni italian shipping millionaires series 3 the italian shipping millionaires**

*giraffe omnibed service manual*

~~gestion des deacutechets agrave niamey~~

~~ghost guide kansas town traveler~~

gilera 350 500 600 cc 4 strokes engine motorcycle service manual

*gina wilson algebra review packet 5*

gina wilson volume of prisms cylinders 2015



*gidleigh cake recipe*

*getinge 733hc manual*

**gina wilson all things algebra 2013 packet 6**

**Massey Ferguson 12 Baler Parts Manual Serial 996 535911 :**

My Story: Master Sgt. Benjamin Hunt Jul 10, 2020 — Benjamin Hunt joined the Indiana Air National Guard because it was a family tradition to serve, serve his community, plus the benefits and life ... SGT Benjamin Casey Hunt Obituary - Killeen, TX May 1, 2019 — Benjamin was born on September 27, 1983 in Twin Falls, ID to Lori Smith and Kenneth Hunt. He Joined the Army on January 3rd, 2008. His eleven ... Military Service Records The National Archives is the official repository for records of military personnel who have been dis charged from the U.S. Air Force, Army, Marine Corps, Navy ... What is the worst thing you've ever experienced in ... Sep 3, 2015 — When my Drill sergeant looked at me and said “You're going home.” I was on week six, had just one more week to go before graduating and going on ... Experiencing God's Presence in my Military Service (Part 1) Feb 8, 2020 — God used me to love my neighbors by meeting their needs; God gave me understanding about the eternal value of military service; God was with me ... U.S. Bases in Thailand During the Vietnam War and Agent ... Aug 12, 2019 — The first base of operations for American forces was at Takhli Royal Thai Air force Base, which is located approximately 144 miles northwest of ... House Report 117-391 - MILITARY CONSTRUCTION ... .. military personnel and their families' quality of life is preserved. The total ... Evans, Deputy Chief of Staff of the Army, G9 Sergeant Major Michael A. Ranger Hall of Fame Aug 31, 2023 — Staff Sergeant Robert J. Pruden is inducted into the Ranger Hall of Fame for extraordinary courage and gallantry in action as a Ranger qualified ... On Point: the United States Army in Operation Iraqi Freedom Mar 23, 2003 — On Point is a study of Operation IRAQI FREEDOM (OIF) as soon after the fact as feasible. The Army leadership chartered this effort in a message ... Tomorrow People: Future Consumers and How... by Martin ... Book overview ... The future is a profit stream waiting to happen, but it takes careful observation and anticipation to make it flow your way. This book is a ... Tomorrow People: Future Consumers and How to Read ... Tomorrow People: Future Consumers and How to Read Them: Mapping the Needs and Desires of Tomorrow's Customers Now by Martin Raymond (2003-05-28) [Martin ... The tomorrow people : future consumers and how to read them CONTENTS CI. The Tomorrow People - Tomorrow Happens So YouA'd Better Be Prepared! A snapshot of tomorrow's consumers; the world they will inhabit; ... Tomorrow People: Future Consumers and How to Read Them Tomorrow People: Future Consumers and How to Read Them. by Mr Martin Raymond. Hardcover, 279 Pages, Published 2003. ISBN-10: 0-273-65957-X / 027365957X Tomorrow People : Future Consumers and How to Read Them ... Webcat Plus: Tomorrow People : Future Consumers and How to Read Them, GET TO KNOW YOUR FUTURE CUSTOMERS "The future is a profit stream waiting to happen, ... The tomorrow people : future

consumers and how to read them City Campus Library Floor 4 658.834 RAY; Hide Details. Availability: (1 copy, 1 available, 0 requests). Tomorrow People: Future Consumers and How to Read ... Jan 1, 2003 — Tomorrow People · Future Consumers and How to Read Them ; Tomorrow People · Future Consumers and How to Read Them ; Stock Photo · Cover May Be ... What would you ask tomorrow's consumer today? Oct 20, 2023 — It's clear Sam and Wanyi are different people with different perspectives based on the future world scenarios they live in. Getting a view ... Tomorrow People: Future Consumers and How to Read ... Jan 1, 2003 — by Martin Raymond · About This Item · Reviews · Details · Terms of Sale · About the Seller · Collecting Arkham House · Collecting One Book. The future of the consumer industry: Buying into better The agency to harness change and build a better tomorrow ... The future isn't preordained. Instead, we construct our future one choice at a time. We have the ... The Dictionary of Historical and Comparative Linguistics More than just a dictionary, this book provides genuine linguistic examples of most of the terms entered, detailed explanations of fundamental concepts, ... Dictionary of Historical and Comparative Linguistics The first dictionary devoted to historical linguistics, the oldest scholarly branch of the discipline, this book fills a need. Most terms, laws, techniques, ... The Dictionary of Historical and Comparative Linguistics With nearly 2400 entries, this dictionary covers every aspect of the subject, from the most venerable work to the exciting advances of the last few years, ... The Dictionary of Historical and Comparative Linguistics by RL Trask · 2000 · Cited by 374 — More than just a dictionary, this book provides genuine linguistic examples of most of the terms entered, detailed explanations of fundamental ... Book notice: "The dictionary of historical and ... - John Benjamins by W Abraham · 2002 — Book notice: "The dictionary of historical and comparative linguistics" by R. L. Trask. Author(s): Werner Abraham 1. The Dictionary of Historical and Comparative Linguistics With nearly 2400 entries, this dictionary covers every aspect of historical linguistics, from the most venerable work to the exciting advances of the late 20th ... Book notice: "The dictionary of historical and comparative ... Book notice: "The dictionary of historical and comparative linguistics" by R. L. Trask. Werner Abraham | Universities of Groningen/NL, and Berkeley/CA. The dictionary of historical and comparative linguistics Oct 27, 2020 — Publication date: 2000. Topics: Historical linguistics -- Dictionaries, Comparative linguistics -- Dictionaries. The Dictionary of Historical and Comparative Linguistics Apr 1, 2000 — With nearly 2400 entries, this dictionary covers every aspect of historical linguistics, from the most venerable work to the exciting advances ... R.L.Trask The Dictionary of Historical and Comparative ... by RL Trask · 2003 · Cited by 374 — Although dictionaries and encyclopedias of general linguistics have been rather numerous in the last period, this "Dictionary" limited to ...