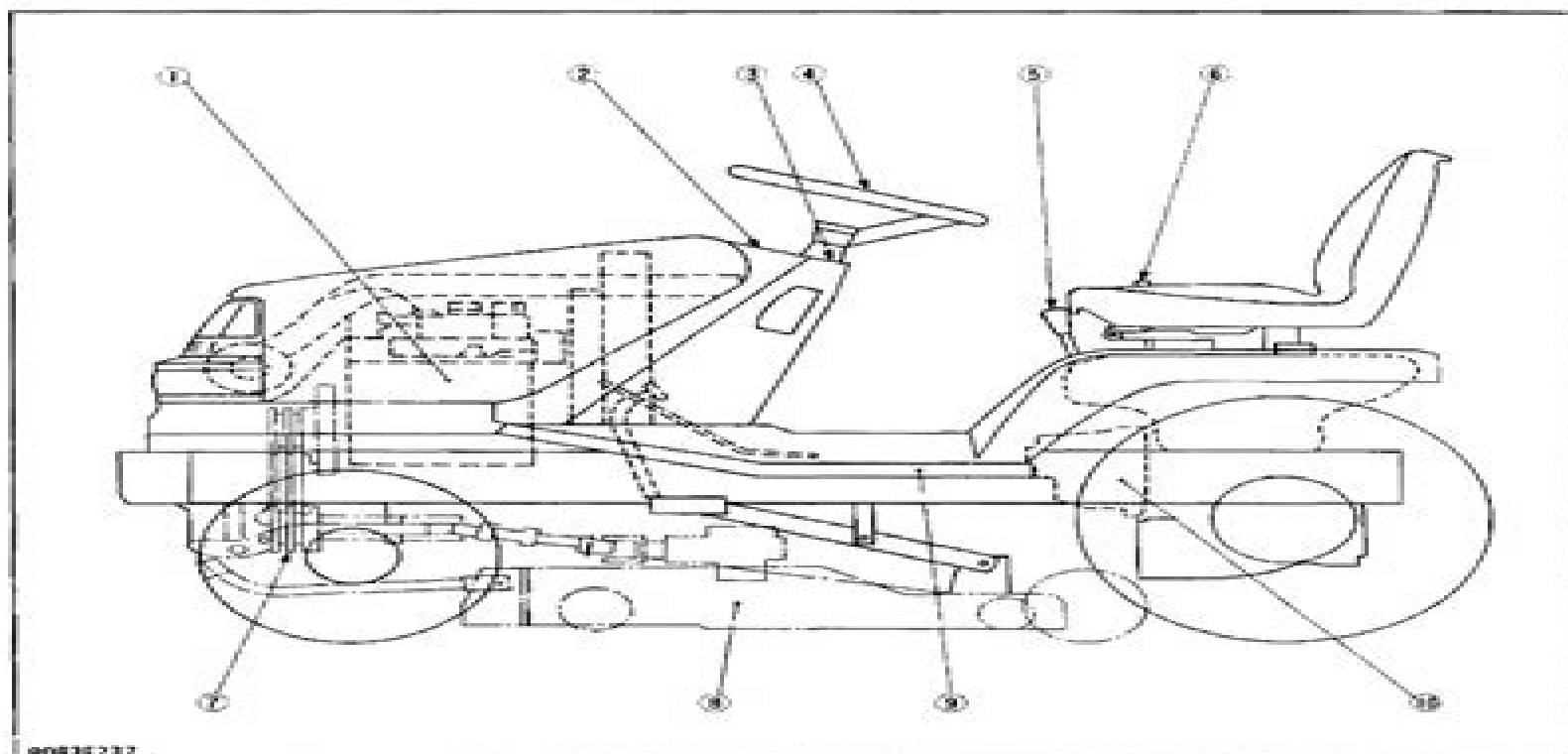


# F FEATURES



8083F237

- (1) **New KUBOTA Engines**  
Models G1700, G1800 and G1900 are mounted vertical, liquid cooled, 4-cycle diesel engines. Model G2000 is mounted vertical, liquid cooled, 4-cycle gasoline engine. These efficient and powerful KUBOTA engines provide the harnessed power and mighty torque rise essential for handling even heavy-duty tasks.
- (2) **Easy Checker**  
To facilitate checking, the easy checker is provided.
- (3) **Engine Key Switch Shut-Off System**  
The engine can be stopped easily by key switch operation.
- (4) **4 Wheel Steering System**  
On 4WS models, an extremely tight turning radius increases mowing efficiency.
- (5) **Cruise Control System**  
This system will provide a constant forward speed by mechanically holding the speed change pedal at the selected position.

- (6) **Hydraulic Lifting System**  
This system makes lifting and lowering the mower simple and efficient.
- (7) **Front PTO System**  
This system supplies power for the mower.
- (8) **Mower**  
To fit a variety of applications, various mower sizes are available.
- (9) **Semi-Flat Deck**  
The semi-flat deck with its ample foot space increases comfort during long operations as well as making getting on and off much easier.
- (10) **Hydrostatic Transmission**  
Easy operation by the speed change pedal without clutch operation realizes comfortable operation.

# Kubota G1800 Service Manual

**M Mosston**



## **Kubota G1800 Service Manual:**

Eventually, you will categorically discover a supplementary experience and achievement by spending more cash. yet when? attain you assume that you require to acquire those all needs like having significantly cash? Why dont you try to acquire something basic in the beginning? Thats something that will guide you to understand even more on the subject of the globe, experience, some places, in the manner of history, amusement, and a lot more?

It is your unconditionally own grow old to statute reviewing habit. among guides you could enjoy now is **Kubota G1800 Service Manual** below.

<https://www.splashdogs.com/public/publication/HomePages/ford%20manual%20transmission%20wiring%20diagram.pdf>

## **Table of Contents Kubota G1800 Service Manual**

1. Understanding the eBook Kubota G1800 Service Manual
  - The Rise of Digital Reading Kubota G1800 Service Manual
  - Advantages of eBooks Over Traditional Books
2. Identifying Kubota G1800 Service Manual
  - Exploring Different Genres
  - Considering Fiction vs. Non-Fiction
  - Determining Your Reading Goals
3. Choosing the Right eBook Platform
  - Popular eBook Platforms
  - Features to Look for in an Kubota G1800 Service Manual
  - User-Friendly Interface
4. Exploring eBook Recommendations from Kubota G1800 Service Manual
  - Personalized Recommendations
  - Kubota G1800 Service Manual User Reviews and Ratings
  - Kubota G1800 Service Manual and Bestseller Lists
5. Accessing Kubota G1800 Service Manual Free and Paid eBooks

- Kubota G1800 Service Manual Public Domain eBooks
  - Kubota G1800 Service Manual eBook Subscription Services
  - Kubota G1800 Service Manual Budget-Friendly Options
6. Navigating Kubota G1800 Service Manual eBook Formats
- ePub, PDF, MOBI, and More
  - Kubota G1800 Service Manual Compatibility with Devices
  - Kubota G1800 Service Manual Enhanced eBook Features
7. Enhancing Your Reading Experience
- Adjustable Fonts and Text Sizes of Kubota G1800 Service Manual
  - Highlighting and Note-Taking Kubota G1800 Service Manual
  - Interactive Elements Kubota G1800 Service Manual
8. Staying Engaged with Kubota G1800 Service Manual
- Joining Online Reading Communities
  - Participating in Virtual Book Clubs
  - Following Authors and Publishers Kubota G1800 Service Manual
9. Balancing eBooks and Physical Books Kubota G1800 Service Manual
- Benefits of a Digital Library
  - Creating a Diverse Reading Collection Kubota G1800 Service Manual
10. Overcoming Reading Challenges
- Dealing with Digital Eye Strain
  - Minimizing Distractions
  - Managing Screen Time
11. Cultivating a Reading Routine Kubota G1800 Service Manual
- Setting Reading Goals Kubota G1800 Service Manual
  - Carving Out Dedicated Reading Time
12. Sourcing Reliable Information of Kubota G1800 Service Manual
- Fact-Checking eBook Content of Kubota G1800 Service Manual
  - Distinguishing Credible Sources
13. Promoting Lifelong Learning
- Utilizing eBooks for Skill Development

- Exploring Educational eBooks
14. Embracing eBook Trends
- Integration of Multimedia Elements
  - Interactive and Gamified eBooks

### **Kubota G1800 Service Manual Introduction**

In this digital age, the convenience of accessing information at our fingertips has become a necessity. Whether its research papers, eBooks, or user manuals, PDF files have become the preferred format for sharing and reading documents. However, the cost associated with purchasing PDF files can sometimes be a barrier for many individuals and organizations. Thankfully, there are numerous websites and platforms that allow users to download free PDF files legally. In this article, we will explore some of the best platforms to download free PDFs. One of the most popular platforms to download free PDF files is Project Gutenberg. This online library offers over 60,000 free eBooks that are in the public domain. From classic literature to historical documents, Project Gutenberg provides a wide range of PDF files that can be downloaded and enjoyed on various devices. The website is user-friendly and allows users to search for specific titles or browse through different categories. Another reliable platform for downloading Kubota G1800 Service Manual free PDF files is Open Library. With its vast collection of over 1 million eBooks, Open Library has something for every reader. The website offers a seamless experience by providing options to borrow or download PDF files. Users simply need to create a free account to access this treasure trove of knowledge. Open Library also allows users to contribute by uploading and sharing their own PDF files, making it a collaborative platform for book enthusiasts. For those interested in academic resources, there are websites dedicated to providing free PDFs of research papers and scientific articles. One such website is Academia.edu, which allows researchers and scholars to share their work with a global audience. Users can download PDF files of research papers, theses, and dissertations covering a wide range of subjects. Academia.edu also provides a platform for discussions and networking within the academic community. When it comes to downloading Kubota G1800 Service Manual free PDF files of magazines, brochures, and catalogs, Issuu is a popular choice. This digital publishing platform hosts a vast collection of publications from around the world. Users can search for specific titles or explore various categories and genres. Issuu offers a seamless reading experience with its user-friendly interface and allows users to download PDF files for offline reading. Apart from dedicated platforms, search engines also play a crucial role in finding free PDF files. Google, for instance, has an advanced search feature that allows users to filter results by file type. By specifying the file type as "PDF," users can find websites that offer free PDF downloads on a specific topic. While downloading Kubota G1800 Service Manual free PDF files is convenient, its important to note that copyright laws must be respected. Always ensure that the PDF files you download are legally

available for free. Many authors and publishers voluntarily provide free PDF versions of their work, but its essential to be cautious and verify the authenticity of the source before downloading Kubota G1800 Service Manual. In conclusion, the internet offers numerous platforms and websites that allow users to download free PDF files legally. Whether its classic literature, research papers, or magazines, there is something for everyone. The platforms mentioned in this article, such as Project Gutenberg, Open Library, Academia.edu, and Issuu, provide access to a vast collection of PDF files. However, users should always be cautious and verify the legality of the source before downloading Kubota G1800 Service Manual any PDF files. With these platforms, the world of PDF downloads is just a click away.

### **FAQs About Kubota G1800 Service Manual Books**

How do I know which eBook platform is the best for me? Finding the best eBook platform depends on your reading preferences and device compatibility. Research different platforms, read user reviews, and explore their features before making a choice. Are free eBooks of good quality? Yes, many reputable platforms offer high-quality free eBooks, including classics and public domain works. However, make sure to verify the source to ensure the eBook credibility. Can I read eBooks without an eReader? Absolutely! Most eBook platforms offer webbased readers or mobile apps that allow you to read eBooks on your computer, tablet, or smartphone. How do I avoid digital eye strain while reading eBooks? To prevent digital eye strain, take regular breaks, adjust the font size and background color, and ensure proper lighting while reading eBooks. What the advantage of interactive eBooks? Interactive eBooks incorporate multimedia elements, quizzes, and activities, enhancing the reader engagement and providing a more immersive learning experience. Kubota G1800 Service Manual is one of the best book in our library for free trial. We provide copy of Kubota G1800 Service Manual in digital format, so the resources that you find are reliable. There are also many Ebooks of related with Kubota G1800 Service Manual. Where to download Kubota G1800 Service Manual online for free? Are you looking for Kubota G1800 Service Manual PDF? This is definitely going to save you time and cash in something you should think about. If you trying to find then search around for online. Without a doubt there are numerous these available and many of them have the freedom. However without doubt you receive whatever you purchase. An alternate way to get ideas is always to check another Kubota G1800 Service Manual. This method for see exactly what may be included and adopt these ideas to your book. This site will almost certainly help you save time and effort, money and stress. If you are looking for free books then you really should consider finding to assist you try this. Several of Kubota G1800 Service Manual are for sale to free while some are payable. If you arent sure if the books you would like to download works with for usage along with your computer, it is possible to download free trials. The free guides make it easy for someone to free access online library for download books to your device. You can get free download on free

trial for lots of books categories. Our library is the biggest of these that have literally hundreds of thousands of different products categories represented. You will also see that there are specific sites catered to different product types or categories, brands or niches related with Kubota G1800 Service Manual. So depending on what exactly you are searching, you will be able to choose e books to suit your own need. Need to access completely for Campbell Biology Seventh Edition book? Access Ebook without any digging. And by having access to our ebook online or by storing it on your computer, you have convenient answers with Kubota G1800 Service Manual To get started finding Kubota G1800 Service Manual, you are right to find our website which has a comprehensive collection of books online. Our library is the biggest of these that have literally hundreds of thousands of different products represented. You will also see that there are specific sites catered to different categories or niches related with Kubota G1800 Service Manual So depending on what exactly you are searching, you will be able to choose ebook to suit your own need. Thank you for reading Kubota G1800 Service Manual. Maybe you have knowledge that, people have search numerous times for their favorite readings like this Kubota G1800 Service Manual, but end up in harmful downloads. Rather than reading a good book with a cup of coffee in the afternoon, instead they juggled with some harmful bugs inside their laptop. Kubota G1800 Service Manual is available in our book collection an online access to it is set as public so you can download it instantly. Our digital library spans in multiple locations, allowing you to get the most less latency time to download any of our books like this one. Merely said, Kubota G1800 Service Manual is universally compatible with any devices to read.

### **Find Kubota G1800 Service Manual :**

~~[ford manual transmission wiring diagram](#)~~

[ford laser kn 2000 user manual](#)

[ford motor company entrance exam](#)

**ford galaxie 5service manual**

*ford focus petrol service and repair manual 2005 2009torrent*

[ford motor company supplier quality manual](#)

[ford owner loyalty rebate 2013](#)

~~[ford mustang manual book](#)~~

[ford focus zx3 interior parts user manual](#)

*ford mondeo technical drawings*

[ford manual transmission overdrive](#)

[ford service credit card reviews](#)



**ford mondeo diesel service repair manual**  
**ford mondeo mk iv service manual**  
**ford focus owners manual spanish**

**Kubota G1800 Service Manual :**

[paragraph examples expository narrative persuasive descriptive](#) - Jul 14 2023

web persuasive paragraph and argumentative paragraph 6 persuade i am going to persuade my neighbors to buy tickets to the school fair the school fair is right around the corner and tickets have just gone on sale we are selling a limited number of tickets at a discount so move fast and get yours while they are still available

[30 best persuasive essay examples guide expert tips](#) - Nov 06 2022

web to further help you in your persuasive essay writing we will provide you with different and appropriate persuasive essay topic examples here are some persuasive essay topics you can write on should people be forced to take the covid 19 vaccine is the american dream a reality or a myth are ebooks better than physical books

[persuasive writing examples from essays to speeches](#) - Mar 10 2023

web feb 12 2021 kit kittelstad m a education staff writer updated february 12 2021 image credits persuasive writing provides the opportunity to convince someone to adopt a particular viewpoint explore various persuasive writing examples designed to convince the reader to take a certain action

*teaching students how to write a persuasive paragraph* - Jun 01 2022

web apr 12 2021 persuasive paragraph examples persuasive paragraphs usually consist of a topic sentence body sentences and a closing sentence the topic sentence includes the writer s opinion and the body sentences support that opinion finally the closing sentence restates the writer s opinion

**persuasive writing strategies and tips with examples grammarly** - Aug 15 2023

web jun 2 2022 what is an example of persuasive writing some famous examples of persuasive writing throughout history include common sense by thomas paine the declaration of rights of the women of the united states by susan b anthony et al and letter from birmingham jail by martin luther king jr what are different types of

**35 persuasive writing examples speeches essays and more** - Sep 16 2023

web nov 29 2022 persuasive speech writing examples i have a dream by dr martin luther king jr sample lines and so even though we face the difficulties of today and woodrow wilson s war message to congress 1917 sample lines there are it may be many months of fiery trial and chief seattle s 1854

*50 free persuasive essay examples best topics* - Jul 02 2022

web jul 7 2019 1 persuasive essay examples 2 what is a persuasive essay 3 persuasive writing examples 4 elements of persuasive essay 5 persuasive paper examples 6 choosing a topic for your essay 7 persuasive essay samples 8 creating the outline of persuasive essay examples 9 tips for writing persuasive essay examples

**persuasive paragraphs learn american english online** - Jan 28 2022

web here s an example of a persuasive paragraph immigration contributes to the overall health of the american economy despite recent concerns expressed about illegal and some legal immigration to the united states this country has largely benefited from the skills talents and ambition that immigrants bring with them

*92 essay transition words to know with examples grammarly* - Oct 25 2021

web nov 8 2023 abruptly switching topics in essays can be jarring however transition words can smooth the change for the convenience of the reader moreover you can use essay transition words to start a paragraph sentence or clause more naturally additionally essay transition words can connect new information to the previous statement so you don t

**writing a persuasive essay overview examples study com** - Mar 30 2022

web learn what a persuasive essay is see its purpose and study the persuasive essay format with examples the body is where the main arguments are written and usually contain 3 5 paragraphs

**how to write a persuasive essay step by step guide examples** - Aug 03 2022

web aug 19 2023 step by step writing guide outline examples references argumentative vs persuasive essay an argumentative essay intends to attack the opposing point of view discussing its drawbacks and inconsistencies a persuasive essay describes only the writer s opinion explaining why it is a believable one

persuasive essay how to write structure format and examples - Feb 26 2022

web jan 22 2018 typical structure for a persuasive essay introduction body paragraphs 3 or more conclusion this is the fundamental layout you will start with one paragraph as an introduction then go on to write three or more paragraphs containing the body of your essay then finally your conclusion wrapping everything up with a neat little bow on top

*how to write a persuasive paragraph 11 steps with pictures wikihow* - Jun 13 2023

web may 19 2023 if you need to use research for your persuasive paragraph or essay find examples from secondary sources that will support your stance you can use information from books newspaper articles government websites and other trustworthy sources to provide examples and support for your argument 5

*100 persuasive essay examples and samples for free 2023* - Oct 05 2022

web may 28 2023 best persuasive essay examples since this is the most common type of essay it is important to be familiar with its requirements and style check out our persuasive essay samples to get acquainted with this popular form of essay recent articles may 28 how does outdoor exercises impact our health and well being essay

**exploring persuasive writing english learning with bbc bitesize** - Apr 11 2023

web write a persuasive paragraph of at least 60 words use the example paragraph and table in activity 2 to remind you of the things to include in your writing

**3 4 persuasive paragraphs building blocks of academic writing** - Jan 08 2023

web 3 4 persuasive paragraphs learning objectives organize arguments in a logical and persuasive order provide appropriate support in the form of quotations statistics expert opinions and commonly accepted facts clarify the meaning and significance of the main arguments identify and refute relevant counterpoints

*13 outstanding persuasive essay examples 5staressays* - Dec 27 2021

web jan 28 2020 persuasive essay examples for elementary students at primary school teachers assign essays to students as a way of improving their writing skills however the essays are very simple and not very complex so the students easily write them below are some good persuasive essay topics for primary school kids

**22 good persuasive essay examples for students free essay** - Nov 25 2021

web feb 7 2023 looking through persuasive essay examples can be incredibly beneficial for students seeing what others have written successfully in the past can help spark creativity take the examples above and use them as a starting

**30 persuasive essay examples free samples for students** - Oct 17 2023

web jul 25 2018 a persuasive essay aims to convince the reader of the author s point of view to find the right path for your essay it s helpful to go through some examples similarly good essay examples also help to avoid any potential pitfalls and offer clear information to the readers to adopt here are some persuasive essay examples pdf

9 4 writing skills the persuasive paragraph - Feb 09 2023

web look at the following examples of persuasive paragraphs answer the questions below each paragraph paragraph 1 while cruising is a popular form of vacation for canadians there are significant dangers in the form of liquid waste solid waste and oil spills

**100 persuasive essay topics thoughtco** - Apr 30 2022

web nov 15 2023 updated on august 21 2019 persuasive essays are a bit like argument essays and persuasive speeches but they tend to be a little kinder and gentler argument essays require you to discuss and to attack an alternate view while persuasive essays are attempts to convince the reader that you have a believable argument

*how to write a persuasive essay with pictures wikihow* - Dec 07 2022

web jun 16 2023 pick a topic that appeals to you because a persuasive essay often relies heavily on emotional appeals you should choose to write on something about which you have a real opinion pick a subject about which you feel strongly and can argue convincingly 4 6 look for a topic that has a lot of depth or complexity

*6 steps to write a persuasive paragraph examples textcortex* - May 12 2023

web apr 21 2023 1 know who you are talking to knowing your reader is essential when writing any kind of persuasive piece you can improve your chances of persuading your audience to agree with your point of view by studying the following 4 elements demographics knowledge about the subject emotions and beliefs let s briefly go over

get inspired by our amazing persuasive essay examples - Sep 04 2022

web jan 5 2023 1 persuasive essay examples for students 2 persuasive essay examples for different formats 3 6 tips to write a compelling persuasive essay 4 persuasive essay examples topics persuasive essay examples for students we ve compiled a selection of persuasive essay examples to provide you with a starting point

**nikomachische ethik by aristotle open library** - Jun 05 2022

web nov 15 2022 nikomachische ethik edit an detailed examination of what the best life might be for human beings in order to answer this question aristotle finds he also has to examine what virtue itself is and all of the various virtues that might make up the best life read more read less publish date 1985 publisher f meiner

*nikomachische ethik definition gabler wirtschaftslexikon* - Jul 18 2023

web begriff als nikomachische ethik wird das ethische hauptwerk des aristoteles bezeichnet das nach seinem sohn nikomachos benannt ist mit dieser systematischen abhandlung etabliert aristoteles die auseinandersetzung mit fragen der ethik als eigenständigen zweig der philosophie und legt den

**frede dorothea aristoteles nikomachische ethik Übersetzung** - Feb 13 2023

web article frede dorothea aristoteles nikomachische ethik Übersetzung mit einleitung und kommentar aristoteles werke in deutscher Übersetzung bde 6 1 und 6 2 berlin boston walter de gruyter 2020 xvii 1016 pp was published on march 31 2022 in the journal archiv für geschichte der philosophie volume 104 issue 1

die nikomachische ethik de gruyter - Dec 11 2022

web apr 1 2014 die nikomachische ethik ist die bedeutendste ethische schrift des aristoteles 384 322 v chr sie gibt einen leitfaden an die hand wie man ein guter mensch wird und ein glückliches leben führt

**aristoteles nikomachische ethik reclam verlag** - May 04 2022

web in der zehn bücher umfassenden nikomachischen ethik grenzt aristoteles tugenden von affekten und von tadelnswerten charaktereigenschaften ab untersucht die bedeutung von werten wie der freundschaft und gibt gewissermaßen einen leitfaden für ein gutes tugendhaftes und glückliches leben

aristoteles nikomachische ethik projekt gutenber - Aug 19 2023

web die nikomachische ethik hat ihren beinamen davon daß aristoteles sie seinem sohne nikomachos gewidmet oder nach einigen davon daß dieser sie nach seines vaters tode herausgegeben hat sie behandelt wie im worte liegt

**band 6 nikomachische ethik de gruyter** - Apr 15 2023

web jan 20 2020 nicomachean ethics translated by dorothea frede part of the multi volume work aristoteles werke doi org 10 1515 9783110566772 cite this overview contents about this book no ancient text has attracted more worldwide attention in recent decades than aristotle s nicomachean ethics

[ethische schriften springerlink](#) - Feb 01 2022

web mar 10 2021 das korpus der aristotelischen schriften enthält drei ethiken die nikomachische ethik in zehn büchern die magna moralia in zwei büchern und die eudemische ethik in acht büchern das verhältnis zwischen diesen drei abhandlungen ist

**nicomachean ethics wikisource the free online library** - Jan 12 2023

web jan 12 2020 the nicomachean ethics of aristotle 1850 translation by robert william browne nicomachean ethics chase 1911 translation by d p chase 1820 1902 transcription project nicomachean ethics ross 1925 translation by w d ross in the works of aristotle this page was last edited on 12 january 2020 at 19 13

[aristoteles nikomachische ethik de gruyter](#) - Oct 09 2022

web oct 1 2010 hardcover published april 21 2010 isbn 9783050049250 wer auch immer sich für eine theorie moralischer bzw humaner praxis interessiert findet in der nikomachischen ethik des aristoteles eines der wenigen

**nikomachische ethik Übersetzt und mit einer einleitung und** - Aug 07 2022

web dec 31 2014 nikomachische ethik Übersetzt und mit einer einleitung und erklärenden anmerkungen versehen von eug rolfes by aristotle rolfes eugen 1852 tr and ed 26

**aristoteles nikomachische ethik griffl org** - Dec 31 2021

web oct 31 2019 die nikomachische ethik ist ein harter brocken und sie liest sich nicht wie ein roman aristoteles lebte vor 2400 jahren in einer vergangenen kultur und schrieb auf altgriechisch trotzdem sind viele seiner fragen immer noch aktuell und auch seine antworten geben viele denkanstöße für heute

**nicomachean ethics aristotle mcmaster social sciences** - Sep 08 2022

web nicomachean ethics 5 good judge of that subject and the man who has received an all round education is a good judge in general hence a young man is not a proper

[nicomachean ethics wikipedia](#) - Sep 20 2023

web the nicomachean ethics ,naɪkɒmə'kiən ,nikəmə'kiən ancient greek Ἠθικὰ Νικομάχεια Ēthika nikomacheia is aristotle s best known work on ethics the science of the good for human life that which is the goal or end at which all our actions aim 1

**nikomachische ethik wikipedia** - Oct 21 2023

web die nikomachische ethik altgriechisch ἠθικὰ Νικομάχεια ēthiká nikomácheia ist die bedeutendste der drei unter dem

namen des aristoteles überlieferten ethischen schriften da sie mit der eudemischen ethik einige bücher teilt ist sie möglicherweise nicht von aristoteles selbst in der erhaltenen form

**nikomachischen ethik englisch Übersetzung linguae** - Nov 29 2021

web viele übersetzte beispielsätze mit nikomachischen ethik englisch deutsch wörterbuch und suchmaschine für millionen von englisch Übersetzungen

**die nikomachische ethik** - Jul 06 2022

web die nikomachische ethik aristoteles nikomachische ethik jul 09 2021 excerpt from aristoteles nikomachische ethik Übersetzt und erläutert 90t 2aut binice htm ha 3eichen ftebt bat hen ton eu ticblanb ü ber a tteß 3 gt tßn kl ßb 20 fifa t i r o t c l e o i 1

**nicomachean ethics work by aristotle britannica** - Mar 14 2023

web in aristotle ethics treatises on moral philosophy the nicomachean ethics in 10 books the eudemian ethics in 7 books and the magna moralia latin great ethics the nicomachean ethics is generally regarded as the most important of the three it consists of a series of short treatises possibly brought together by aristotle s son read more

*aristoteles nikomachische ethik projekt gutenber* - Mar 02 2022

web nikomachische ethik inhaltsverzeichnis aristoteles einleitung erstes buch zweites kapitel drittes kapitel viertes kapitel fünftes kapitel sechstes kapitel siebentes kapitel achtes kapitel neuntes kapitel zehntes kapitel elftes kapitel zwölftes kapitel dreizehntes kapitel zweites buch zweites kapitel drittes kapitel viertes

aristoteles nikomachische ethik zeno org - Apr 03 2022

web die nikomachische ethik entstand vermutlich im letzten lebensabschnitt von aristoteles also in den jahren vor 322 vor chr erstdruck in lateinischer Übersetzung straßburg vor 10 4 1496 erstdruck des griechischen originals venedig 1498 erste vollständige deutsche Übersetzung durch daniel jenisch danzig 1791

**die nikomachische ethik von aristoteles gratis** - Nov 10 2022

web die nikomachische ethik ist aristoteles ethisches hauptwerk sie ist nach seinem sohn oder nach seinem vater nikomachos benannt mit seinen ethischen schriften begründete aristoteles die ethik als eigenständigen zweig der philosophie für aristoteles ist die ethik vorläufer und voraussetzung für die politik wissenschaft

*the internet classics archive nicomachean ethics by aristotle* - May 16 2023

web nicomachean ethics has been divided into the following sections book i 65k book ii 50k book iii 74k book iv 69k book v 74k book vi 55k book vii 78k book viii 70k book ix 66k book x 71k download a 456k text only version is available for download nicomachean ethics by aristotle part of the internet classics archive

aristoteles nikomachische ethik de gruyter - Jun 17 2023

web apr 1 2019 aristotle s nicomachean ethics offers us one of the very few comprehensive basic models for a theory of moral and humane practice the focus of this sober and thorough analysis is on the concepts of happiness virtue choice wisdom self control pleasure and friendship

[launching lucy calkins writer s workshop and folder resources](#) - Jan 28 2022

web sep 8 2023 columbia to dissolve lucy calkins reading and writing project the new york times amid reading wars teachers college will close a star professor s shop

**results for 2nd grade lucy calkins writing tpt** - Aug 23 2021

*teachers college to dissolve lucy calkins reading and writing* - Sep 23 2021

**launching lucy calkins writing and writing prompts second grade** - Dec 27 2021

web sep 5 2023 diane bondareff ap the teachers college reading and writing project the instructional consultancy housed at columbia university and founded by the popular and

*results for lucy calkin s writing units of study 2nd grade* - Apr 30 2022

web this resource contains everything you will need to launch lucy calkins writer s workshop in second grade it includes 9 weeks pacing for all 4 units of study

**units of study in phonics grade 2 by lucy calkins** - Nov 06 2022

web do you want to begin writer s workshop but are unsure how to incorporate lucy calkins units of study the structure resources planning set up routines expectations mentor

*launching lucy calkins writing and writing prompts second grade* - Aug 03 2022

web this is a collection of daily 2nd grade writing workshop lesson plans based on the lucy calkins writing workshop curriculum for unit 2 lab reports and science books i

**a quick guide to teaching second grade writers with units of** - Jul 14 2023

web lucy calkins units of study series for teaching reading and teaching writing from the teachers college reading and writing project

*columbia to dissolve lucy calkins reading and writing project* - Oct 25 2021

[common core writing workshop a curricular plan for the](#) - Apr 11 2023

web this is a collection of daily 2nd grade reading and writing workshop lesson plans based on all 8 units in the lucy calkins reading and writing curriculum 4 units for writing

**units of study in opinion information and narrative writing 2016** - Feb 26 2022

web nov 21 2021 06 17pm est listen to article share to facebook share to twitter share to linkedin calkins influential curriculum underestimates how difficult writing is for many

**lucy calkin s writing second grade teaching resources tpt** - Feb 09 2023

web this is a collection of daily 2nd grade reading and writing workshop lesson plans based on all 8 units in the lucy calkins reading and writing curriculum 4 units for writing

**units of study writing grade 2 poetry lesson wiselearn** - Mar 30 2022

web this resource contains everything you will need to launch lucy calkins writer s workshop in second grade launching lucy calkins writer s workshop second

**lucy calkins writing second grade teaching resources tpt** - Sep 04 2022

web do you want to begin writer s workshop but are unsure how to incorporate lucy calkins units of study the structure resources planning set up routines expectations mentor

a quick guide to teaching second grade writers with - Mar 10 2023

web mar 5 2009 in a quick guide to teaching second grade writers with units of study lucy calkins chronicles a curricular calendar that will help teachers increase the

units of study in writing k 2 lucy calkins and - Aug 15 2023

web mar 5 2009 in a quick guide to teaching second grade writers with units of study lucy calkins chronicles a curricular calendar that will help teachers increase the

**results for second grade lucy calkins tpt** - Dec 07 2022

web this is a collection of daily 2nd grade reading and writing workshop lesson plans based on all 8 units in the lucy calkins reading and writing curriculum 4 units for writing

**launching lucy calkins writer s workshop second grade** - Jun 01 2022

web by lucy calkins teachers college reading and writing project columbia university second grade writers feel like big kids and want work that feels big and important

**a quick guide to teaching second grade writers with units of** - May 12 2023

web common core reading and writing workshop lucy calkins and colleagues from the reading and writing workshop second grade writers a curricular plan

problems with lucy calkins curriculum go beyond - Nov 25 2021

web second grade all writing units anchor charts lucy calkins inspired created by teaching charts this is a bundle of all second grade writing units anchor charts



**units of study reading writing classroom libraries by lucy** - Jun 13 2023

web mar 5 2009 in a quick guide to teaching second grade writers with units of study lucy calkins chronicles a curricular calendar that will help teachers increase the

**a look inside writing pathways from lucy calkins and** - Jul 02 2022

web jan 16 2020 units of study writing grade 2 poetry lesson created jan 16 2020 by shelly clay writing minilesson template unit 4 poetry big thoughts in small

units of study for teaching reading 2015 grade 2 - Oct 05 2022

web oct 28 2014 writing pathways performance assessments and learning progressions grades k 8 written by lucy calkins with kelly boland hohne audra kirshbaum robb

**a quick guide to teaching second grade writers with uni** - Jan 08 2023

web units of study in phonics grade 2 by lucy calkins teachers college reading and writing project columbia university natalie louis marie mounteer angela b  ez