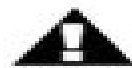
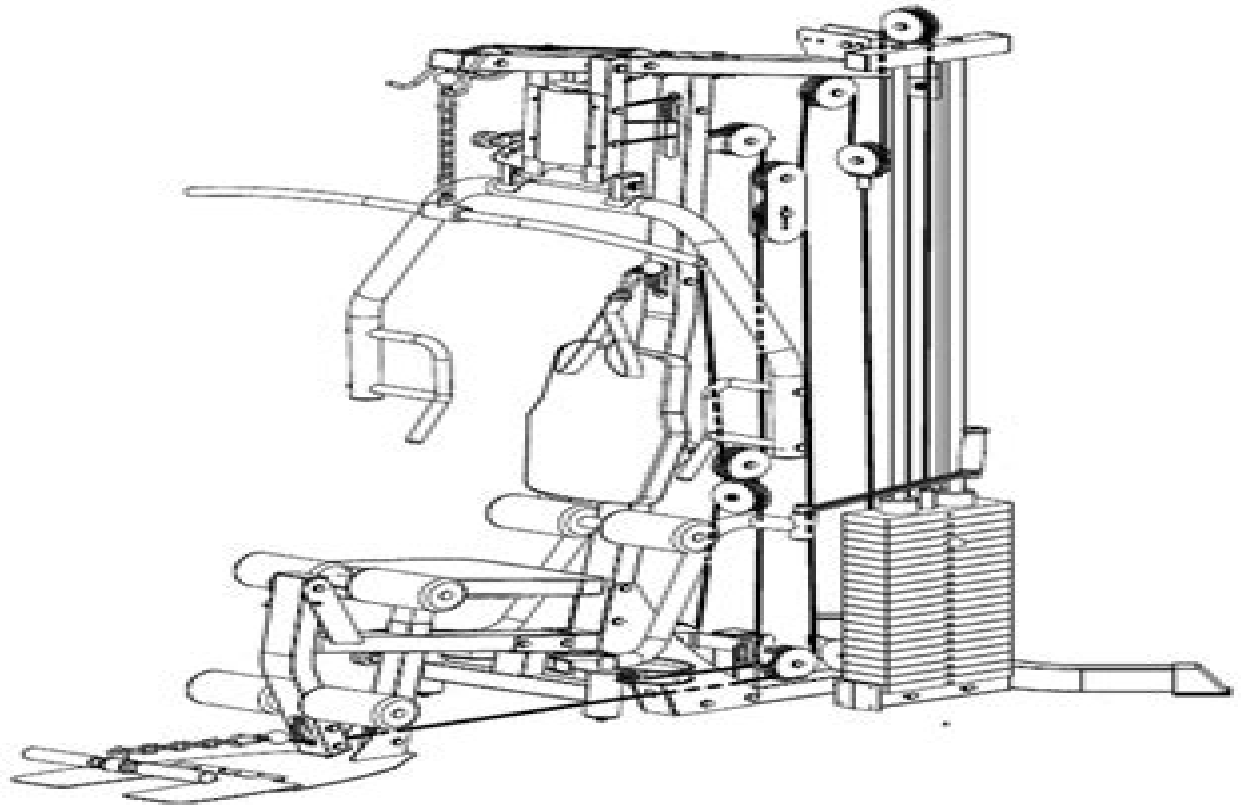


OWNER'S MANUAL

MULTI GYM WITH BUTTERFLY Model #: 486 MG



Caution: Read all precautions and instructions in this manual before using this equipment. Save this manual for future reference.

Multi Tech Mvp810st Owners Manual

IM Harris



Multi Tech Mvp810st Owners Manual:
Multitech Plus 700 ,1986

As recognized, adventure as well as experience roughly lesson, amusement, as well as pact can be gotten by just checking out a book **Multi Tech Mvp810st Owners Manual** after that it is not directly done, you could endure even more approximately this life, in the region of the world.

We provide you this proper as well as simple habit to acquire those all. We meet the expense of Multi Tech Mvp810st Owners Manual and numerous books collections from fictions to scientific research in any way. along with them is this Multi Tech Mvp810st Owners Manual that can be your partner.

<https://www.splashdogs.com/results/book-search/index.jsp/Machine%20Drawing%20Viva%20Question%20And%20Ans.pdf>

Table of Contents Multi Tech Mvp810st Owners Manual

1. Understanding the eBook Multi Tech Mvp810st Owners Manual
 - The Rise of Digital Reading Multi Tech Mvp810st Owners Manual
 - Advantages of eBooks Over Traditional Books
2. Identifying Multi Tech Mvp810st Owners Manual
 - Exploring Different Genres
 - Considering Fiction vs. Non-Fiction
 - Determining Your Reading Goals
3. Choosing the Right eBook Platform
 - Popular eBook Platforms
 - Features to Look for in an Multi Tech Mvp810st Owners Manual
 - User-Friendly Interface
4. Exploring eBook Recommendations from Multi Tech Mvp810st Owners Manual
 - Personalized Recommendations
 - Multi Tech Mvp810st Owners Manual User Reviews and Ratings
 - Multi Tech Mvp810st Owners Manual and Bestseller Lists
5. Accessing Multi Tech Mvp810st Owners Manual Free and Paid eBooks

- Multi Tech Mvp810st Owners Manual Public Domain eBooks
 - Multi Tech Mvp810st Owners Manual eBook Subscription Services
 - Multi Tech Mvp810st Owners Manual Budget-Friendly Options
6. Navigating Multi Tech Mvp810st Owners Manual eBook Formats
 - ePub, PDF, MOBI, and More
 - Multi Tech Mvp810st Owners Manual Compatibility with Devices
 - Multi Tech Mvp810st Owners Manual Enhanced eBook Features
 7. Enhancing Your Reading Experience
 - Adjustable Fonts and Text Sizes of Multi Tech Mvp810st Owners Manual
 - Highlighting and Note-Taking Multi Tech Mvp810st Owners Manual
 - Interactive Elements Multi Tech Mvp810st Owners Manual
 8. Staying Engaged with Multi Tech Mvp810st Owners Manual
 - Joining Online Reading Communities
 - Participating in Virtual Book Clubs
 - Following Authors and Publishers Multi Tech Mvp810st Owners Manual
 9. Balancing eBooks and Physical Books Multi Tech Mvp810st Owners Manual
 - Benefits of a Digital Library
 - Creating a Diverse Reading Collection Multi Tech Mvp810st Owners Manual
 10. Overcoming Reading Challenges
 - Dealing with Digital Eye Strain
 - Minimizing Distractions
 - Managing Screen Time
 11. Cultivating a Reading Routine Multi Tech Mvp810st Owners Manual
 - Setting Reading Goals Multi Tech Mvp810st Owners Manual
 - Carving Out Dedicated Reading Time
 12. Sourcing Reliable Information of Multi Tech Mvp810st Owners Manual
 - Fact-Checking eBook Content of Multi Tech Mvp810st Owners Manual
 - Distinguishing Credible Sources
 13. Promoting Lifelong Learning
 - Utilizing eBooks for Skill Development

- Exploring Educational eBooks
14. Embracing eBook Trends
- Integration of Multimedia Elements
 - Interactive and Gamified eBooks

Multi Tech Mvp810st Owners Manual Introduction

Free PDF Books and Manuals for Download: Unlocking Knowledge at Your Fingertips In today's fast-paced digital age, obtaining valuable knowledge has become easier than ever. Thanks to the internet, a vast array of books and manuals are now available for free download in PDF format. Whether you are a student, professional, or simply an avid reader, this treasure trove of downloadable resources offers a wealth of information, conveniently accessible anytime, anywhere. The advent of online libraries and platforms dedicated to sharing knowledge has revolutionized the way we consume information. No longer confined to physical libraries or bookstores, readers can now access an extensive collection of digital books and manuals with just a few clicks. These resources, available in PDF, Microsoft Word, and PowerPoint formats, cater to a wide range of interests, including literature, technology, science, history, and much more. One notable platform where you can explore and download free Multi Tech Mvp810st Owners Manual PDF books and manuals is the internet's largest free library. Hosted online, this catalog compiles a vast assortment of documents, making it a veritable goldmine of knowledge. With its easy-to-use website interface and customizable PDF generator, this platform offers a user-friendly experience, allowing individuals to effortlessly navigate and access the information they seek. The availability of free PDF books and manuals on this platform demonstrates its commitment to democratizing education and empowering individuals with the tools needed to succeed in their chosen fields. It allows anyone, regardless of their background or financial limitations, to expand their horizons and gain insights from experts in various disciplines. One of the most significant advantages of downloading PDF books and manuals lies in their portability. Unlike physical copies, digital books can be stored and carried on a single device, such as a tablet or smartphone, saving valuable space and weight. This convenience makes it possible for readers to have their entire library at their fingertips, whether they are commuting, traveling, or simply enjoying a lazy afternoon at home. Additionally, digital files are easily searchable, enabling readers to locate specific information within seconds. With a few keystrokes, users can search for keywords, topics, or phrases, making research and finding relevant information a breeze. This efficiency saves time and effort, streamlining the learning process and allowing individuals to focus on extracting the information they need. Furthermore, the availability of free PDF books and manuals fosters a culture of continuous learning. By removing financial barriers, more people can access educational resources and pursue lifelong learning, contributing to personal growth and professional development. This democratization of knowledge promotes intellectual curiosity and

empowers individuals to become lifelong learners, promoting progress and innovation in various fields. It is worth noting that while accessing free Multi Tech Mvp810st Owners Manual PDF books and manuals is convenient and cost-effective, it is vital to respect copyright laws and intellectual property rights. Platforms offering free downloads often operate within legal boundaries, ensuring that the materials they provide are either in the public domain or authorized for distribution. By adhering to copyright laws, users can enjoy the benefits of free access to knowledge while supporting the authors and publishers who make these resources available. In conclusion, the availability of Multi Tech Mvp810st Owners Manual free PDF books and manuals for download has revolutionized the way we access and consume knowledge. With just a few clicks, individuals can explore a vast collection of resources across different disciplines, all free of charge. This accessibility empowers individuals to become lifelong learners, contributing to personal growth, professional development, and the advancement of society as a whole. So why not unlock a world of knowledge today? Start exploring the vast sea of free PDF books and manuals waiting to be discovered right at your fingertips.

FAQs About Multi Tech Mvp810st Owners Manual Books

1. Where can I buy Multi Tech Mvp810st Owners Manual books? Bookstores: Physical bookstores like Barnes & Noble, Waterstones, and independent local stores. Online Retailers: Amazon, Book Depository, and various online bookstores offer a wide range of books in physical and digital formats.
2. What are the different book formats available? Hardcover: Sturdy and durable, usually more expensive. Paperback: Cheaper, lighter, and more portable than hardcovers. E-books: Digital books available for e-readers like Kindle or software like Apple Books, Kindle, and Google Play Books.
3. How do I choose a Multi Tech Mvp810st Owners Manual book to read? Genres: Consider the genre you enjoy (fiction, non-fiction, mystery, sci-fi, etc.). Recommendations: Ask friends, join book clubs, or explore online reviews and recommendations. Author: If you like a particular author, you might enjoy more of their work.
4. How do I take care of Multi Tech Mvp810st Owners Manual books? Storage: Keep them away from direct sunlight and in a dry environment. Handling: Avoid folding pages, use bookmarks, and handle them with clean hands. Cleaning: Gently dust the covers and pages occasionally.
5. Can I borrow books without buying them? Public Libraries: Local libraries offer a wide range of books for borrowing. Book Swaps: Community book exchanges or online platforms where people exchange books.
6. How can I track my reading progress or manage my book collection? Book Tracking Apps: Goodreads, LibraryThing,

and Book Catalogue are popular apps for tracking your reading progress and managing book collections. Spreadsheets: You can create your own spreadsheet to track books read, ratings, and other details.

7. What are Multi Tech Mvp810st Owners Manual audiobooks, and where can I find them? Audiobooks: Audio recordings of books, perfect for listening while commuting or multitasking. Platforms: Audible, LibriVox, and Google Play Books offer a wide selection of audiobooks.
8. How do I support authors or the book industry? Buy Books: Purchase books from authors or independent bookstores. Reviews: Leave reviews on platforms like Goodreads or Amazon. Promotion: Share your favorite books on social media or recommend them to friends.
9. Are there book clubs or reading communities I can join? Local Clubs: Check for local book clubs in libraries or community centers. Online Communities: Platforms like Goodreads have virtual book clubs and discussion groups.
10. Can I read Multi Tech Mvp810st Owners Manual books for free? Public Domain Books: Many classic books are available for free as they're in the public domain. Free E-books: Some websites offer free e-books legally, like Project Gutenberg or Open Library.

Find Multi Tech Mvp810st Owners Manual :

[machine drawing viva question and ans](#)

[macroeconomics brief edition 2010](#)

[macroeconomics activity 3 4 sras](#)

[macroeconomics hubbard 4th edition](#)

[macmillan listening tour guide](#)

macroeconomics parkin bade manual

[magic chef mcef5wbx mcef7wbx user guide](#)

machine design creamer solution manual

[machakos university college september 2015 intake](#)

[mack 460 engine specs](#)

[mad minutes second grade](#)

[magellan 1412 instruction manual](#)

mackie swa2801z subwoofers owners manual

mack mp10 engine service workshop shop repair manual

macroeconomics dornbusch fischer startz 11th edition

Multi Tech Mvp810st Owners Manual :

St. Gregory Palamas and Orthodox Spirituality This volume provides a solid introduction to the Eastern monastic/hermitic (hesychastic) tradition. The first, and best section, covers Evagrius, Macarius, ... St Gregory Palamas and Orthodox Spirituality This richly documented and lavishly illustrated study of Orthodox spirituality traces the development of "Orthodox mysticism" from the desert fathers through ... St. Gregory Palamas and Orthodox Spirituality This study of Orthodox spirituality traces the development of Orthodox mysticism from the desert fathers through the patristic tradition to Byzantine ... St. Gregory Palamas and Orthodox Spirituality - Softcover St Gregory Palamas, a fourteenth-century Byzantine saint and Church Father, incorporated traditional Eastern monastic spirituality into a comprehensive ... St. Gregory Palamas and Orthodox Spirituality His understanding of hesychasm, the monastic movement centered on solitude and unceasing prayer, is grounded in an incarnational theology: When spiritual joy ... St. Gregory Palamas and orthodox spirituality Mar 5, 2021 — St. Gregory Palamas and orthodox spirituality. by: Meyendorff, John, 1926-1992. St. Gregory Palamas and Orthodox Spirituality... This study of Orthodox spirituality traces the development of Orthodox mysticism from the desert fathers through the patristic tradition to Byzantine ... St. Gregory Palamas and Orthodox Spirituality This study of Orthodox spirituality traces the development of Orthodox mysticism from the desert fathers through the patristic tradition to Byzantine hesychasm ... St. Gregory Palamas and the Tradition of the Fathers by FG Florovsky · Cited by 63 — Gregory's theological teaching was to defend the reality of Christian experience. Salvation is more than forgiveness. It is a genuine renewal of man. And this ... Saint Gregory Palamas Nov 3, 2022 — Saint Gregory Palamas. "The mind which applies itself to apophatic theology thinks of what is different from God. Thus it proceeds by means of ... Information Sheet - how worry works Worry and Problematic Worry. Worry is generally regarded as a form of verbal mental problem solving about potentially negative future events. Worry and Rumination Jul 10, 2023 — Mastering Your Worries: This workbook is designed to provide you with some information about chronic worrying and generalised anxiety disorder ... CCI - Generalised Anxiety Disorder Resources for Clinicians Jul 10, 2023 — Me Worry? Mastering Your Worries: This workbook is designed to provide you with some information about chronic worrying and generalised anxiety ... What? Me Worry!?! - Module 2 Overview of Worrying Working with Worry and Rumination: A. Metacognitive Group Treatment Programme for Repetitive Negative Thinking. Perth, Western Australia: Centre for Clinical ... What-Me-Worry---07---Problem-Solving.pdf There is good scientific evidence to support that targeting metacognitions and behaviours in therapy can help many people to overcome generalised anxiety. ... CCI Information Sheets and Workbooks for Mental Health ... Jul 13, 2022 — The resources provided on this website aim to provide general information about various mental health problems, as well as, techniques that ... Anxiety Self-Help Resources

Sep 3, 2019 — Below you can find some general information sheets and worksheets for dealing with anxiety. ... CCI acknowledges the Noongar people as the ... What-Me-Worry---01---Overview-of-Generalised-Anxiety.pdf So remember, you are not alone. The aim of this module is to provide you with some general information about anxiety and generalised anxiety disorder, to ... What? Me Worry!?! - Module 9 Accepting Uncertainty Working with Worry and Rumination: A. Metacognitive Group Treatment Programme for Repetitive Negative Thinking. Perth, Western Australia: Centre for Clinical ... Explaining the Vicious Cycle of Worry (Clinical Demonstration) Bundle: Security+ Guide To Network Security ... Unlike static PDF Bundle: Security+ Guide to Network Security Fundamentals, 4th + Lab Manual solution manuals or printed answer keys, our experts show you how ... Lab Manual for Security+ Guide to Network Security ... Lab Manual for Security+ Guide to Network Security Fundamentals, 4th Edition: 9781111640132: Computer Science Books @ Amazon.com. Chapter 1 Problem 1CP Solution | Bundle: Security+ Guide ... Access Bundle: Security+ Guide to Network Security Fundamentals, 4th + Lab Manual 4th Edition Chapter 1 Problem 1CP solution now. Our solutions are written ... Security+ Guide to Network Security Fundamentals Find step-by-step solutions and answers to Security+ Guide to Network Security Fundamentals - 9781133261728, as well as thousands of textbooks so you can ... Ch01 Review Question Solutions Security Guide to ... Ch01 Review Question Solutions Security Guide to Network Security Fundamentals 4th Edition ; Chapter 1 Review Questions Solutions. 1. Each of the following is a ... CompTIA Security+ Guide to Network Security ... Each chapter offers review questions to reinforce your mastery of network security topics and to sharpen your critical thinking and problem-solving skills. (... Security+ Guide to Network Security Fundamentals Its comprehensive introduction to practical network and computer security covers all of the the new CompTIA Security+ exam objectives. Cutting-edge coverage of ... Lab Manual for Security+ Guide to Network Security ... The organization of this book follows that of Course Technology's Security+ Guide to Network Security. Fundamentals, Third Edition, and using the two together ... Security+ Guide To Network Security Fundamentals, 4ed Fourth Edition Companion to Security+ Guide to Network Security Fundamentals, Fourth Edition. ... The Lab Manual includes lab activities, objectives, materials ... COMPTIA SECURITY+ GUIDE TO NETWORK SECURITY ... CompTIA® Security+ Guide to Network Security Fundamentals, Seventh Edition ... Manual to open the openPuff manual. save this file to your computer. read through ...