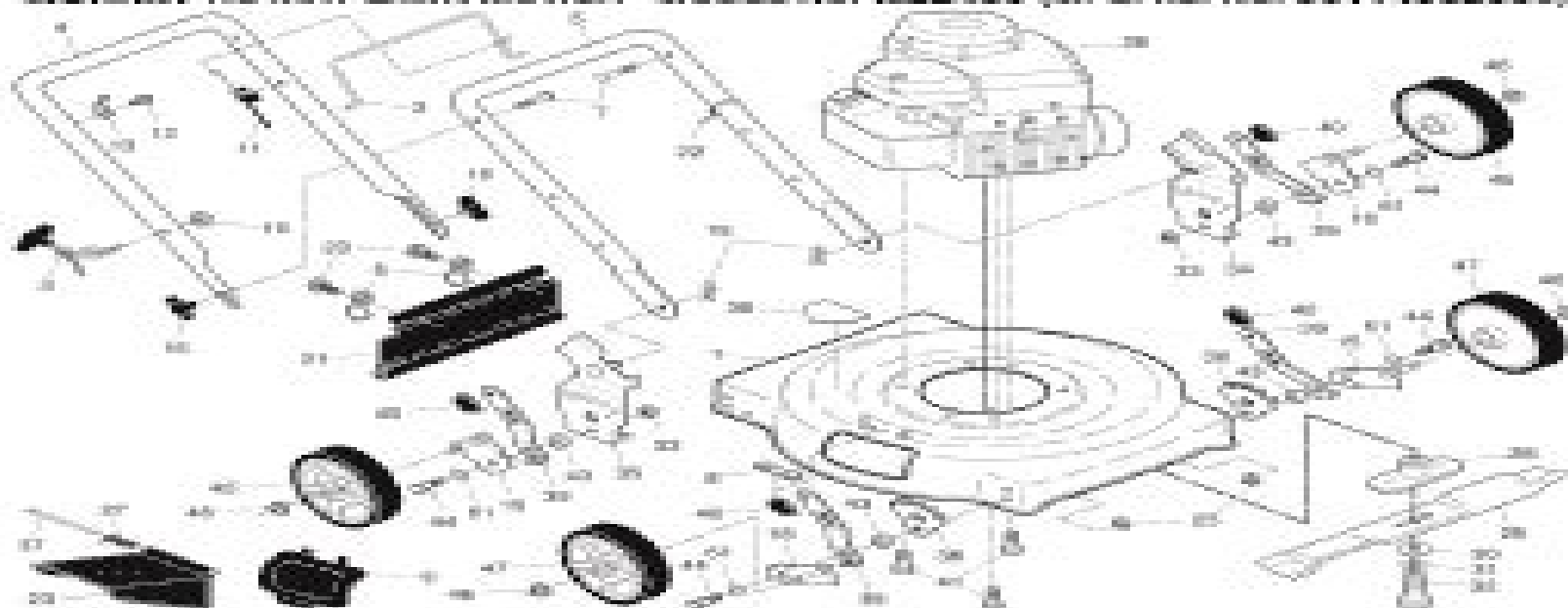


MURRAY ROTARY LAWN MOWER - MODEL NO. M22450 (MFG. I.D. NO. 96114002500)



MURRAY ROTARY LAWN MOWER - MODEL NO. M22450 (MFG. I.D. NO. 96114002500)

KEY NO.	PART NO.	DESCRIPTION	KEY NO.	PART NO.	DESCRIPTION
1	188300	Sk. Housing (Includes Key Number 28)	26	808877	Blade Adapter
2	1841760-028	Control Bar	26	408710	20" Wheel
3	1841760	Pop-Up Guide	26	201014	Flange Nut
4	1841800410	Upper Handle	27	808000	Ball of Lockwasher 208
5	808000-00110	Lower Handle	27	801004	Screen, Hex Head
6	182501-0004	Shoulder Bolt 3/16-18 x 1-1/2	28	401400	Spindle Nut
7	1819174	Handle Bolt 3/16-18	28	7080000	Nut, Hex, Flangeless 3/16-18
8	1818020	Clip, Clever	28	80878100178	Wheel Bracket Support, LH
9	1888000	Mulcher Plate	28	80878200178	Wheel Bracket Support, RH
10	302004	Locknut, Hex 1/4-20	28	807-844-0008	Wheel Bracket Adjuster
11	708102	Single-Point Control Cable	27	100000	Flange Nut
12	170840	Screen, Hex Head, Threaded, Polished 3/16-18 x 1/2	28	401400	Spindle Nut
13	40884-00004	Lip-Clay Bracket	28	8018810004	Spindle Spring
14	8011740004	Auto-Arm Assembly, Left Front & Right Rear	41	80471	Screen, Hex Head, Threaded, Polished 3/8-18 x 1
15	1887120000	Handle Knob	42	801800	Spacer
16	80117400004	Auto-Arm Assembly, Right Front & Left Rear	42	801800	Spacer
17	81780	Hexon-Collar	42	801800	Spacer
18	708000	Screen, Flange, Hex Flangeless Head - #20-24	42	1808004000	Shoulder Bolt 3/16-18 x 2-1/2
19	418700	Rear Deflector	42	401400	Spindle Nut
20	80400	Spine Tie	42	18884-0000	Wheel & Tire Assembly, Front
21	18884-0	Clamp-on Guard	42	187804	Cap, Cable
22	18884-0	Nut, Hex, Flangeless 3/16-18	42	801800	Spacer, Control, Cylindrical
23	408840	Single-Strap & Strap, Model Number 96002-1822 P1	---	808788	Mounting Cover (not shown)
24	---	---	---	188700	Operator's Manual, English
25	---	---	---	188700	Operator's Manual, Spanish
27	408800	Spindle Spring	---	408400	Repair Parts Manual, English

NOTE: All component dimensions given in I.D. unless - 1 inch = 25.4 mm.

IMPORTANT: Use only Original Equipment/Manufacturer (O.E.M.) replacement parts. Failure to do so could be hazardous, damage your lawn mower and void your warranty.

Murray M22450 Manual

Samuel REDGRAVE



Murray M22450 Manual:

Murray's Students' Manuals for Advanced Scholars, 1867 **"The" Origin and History of Murray's Handbook** John Murray, 1889 **Murray's Handbook** John Murray (Firm), 1879 **The Murray "Vacreator" vacuum pasteuriser. A manual for buttermakers covering type "M", "Junior" and "Baby" "Vacreator" vacuum pasteuriser units**, 1948
Murray's Handbook for Yorkshire, **Murrays handbook** John Murray, **The Bill Murray handbook** Aria Murray,
Murray's Handbook for Travellers in Devonshire, 1887 **The Murray Rothbard Handbook - Everything You Need to Know about Murray Rothbard** Patricia Stokes, 2016-07-20 This book is your ultimate Murray Rothbard resource Here you will find the most up to date information facts quotes and much more In easy to read chapters with extensive references and links to get you to know all there is to know about Murray Rothbard s whole picture right away Get countless Murray Rothbard facts right at your fingertips with this essential resource The Murray Rothbard Handbook is the single and largest Murray Rothbard reference book This compendium of information is the authoritative source for all your entertainment reference and learning needs It will be your go to source for any Murray Rothbard questions A mind tickling encyclopedia on Murray Rothbard a treat in its entirety and an oasis of learning about what you don t yet know but are glad you found The Murray Rothbard Handbook will answer all of your needs and much more [Murray's Official Handbook of Church and State, etc](#) Samuel REDGRAVE, 1855 **The Jaime Murray Handbook - Everything You Need to Know about Jaime Murray** Emily Smith, 2012 Jaime Murray born 21 July 1977 is an English actress best known for playing Stacie Monroe in the BBC series Hustle and Lila Tournay in season two of the Showtime series Dexter She has had recurring roles as H G Wells in SyFy s Warehouse 13 and as Gaia in the Starz series Spartacus Gods of the Arena and currently plays Olivia Charles in The CW series Ringer This book is your ultimate resource for Jaime Murray Here you will find the most up to date information photos and much more In easy to read chapters with extensive references and links to get you to know all there is to know about her Early life Career and Personal life right away A quick look inside Jaime Murray Hustle TV series Stacie Monroe ShakespeaRe Told Botched The Deaths of Ian Stone Dexter TV series Valentine TV series The Beautiful Life TBL The Devil s Playground 2010 film Spartacus Gods of the Arena Ringer TV series

If you ally obsession such a referred **Murray M22450 Manual** book that will give you worth, get the totally best seller from us currently from several preferred authors. If you want to droll books, lots of novels, tale, jokes, and more fictions collections are with launched, from best seller to one of the most current released.

You may not be perplexed to enjoy every books collections Murray M22450 Manual that we will no question offer. It is not roughly the costs. Its about what you obsession currently. This Murray M22450 Manual, as one of the most practicing sellers here will definitely be in the course of the best options to review.

https://www.splashdogs.com/book/publication/Download_PDFS/matric%20nsc%20life%20sciences%20paper%201%20memo%202014.pdf

Table of Contents Murray M22450 Manual

1. Understanding the eBook Murray M22450 Manual
 - The Rise of Digital Reading Murray M22450 Manual
 - Advantages of eBooks Over Traditional Books
2. Identifying Murray M22450 Manual
 - Exploring Different Genres
 - Considering Fiction vs. Non-Fiction
 - Determining Your Reading Goals
3. Choosing the Right eBook Platform
 - Popular eBook Platforms
 - Features to Look for in an Murray M22450 Manual
 - User-Friendly Interface
4. Exploring eBook Recommendations from Murray M22450 Manual
 - Personalized Recommendations
 - Murray M22450 Manual User Reviews and Ratings
 - Murray M22450 Manual and Bestseller Lists

5. Accessing Murray M22450 Manual Free and Paid eBooks
 - Murray M22450 Manual Public Domain eBooks
 - Murray M22450 Manual eBook Subscription Services
 - Murray M22450 Manual Budget-Friendly Options
6. Navigating Murray M22450 Manual eBook Formats
 - ePub, PDF, MOBI, and More
 - Murray M22450 Manual Compatibility with Devices
 - Murray M22450 Manual Enhanced eBook Features
7. Enhancing Your Reading Experience
 - Adjustable Fonts and Text Sizes of Murray M22450 Manual
 - Highlighting and Note-Taking Murray M22450 Manual
 - Interactive Elements Murray M22450 Manual
8. Staying Engaged with Murray M22450 Manual
 - Joining Online Reading Communities
 - Participating in Virtual Book Clubs
 - Following Authors and Publishers Murray M22450 Manual
9. Balancing eBooks and Physical Books Murray M22450 Manual
 - Benefits of a Digital Library
 - Creating a Diverse Reading Collection Murray M22450 Manual
10. Overcoming Reading Challenges
 - Dealing with Digital Eye Strain
 - Minimizing Distractions
 - Managing Screen Time
11. Cultivating a Reading Routine Murray M22450 Manual
 - Setting Reading Goals Murray M22450 Manual
 - Carving Out Dedicated Reading Time
12. Sourcing Reliable Information of Murray M22450 Manual
 - Fact-Checking eBook Content of Murray M22450 Manual
 - Distinguishing Credible Sources
13. Promoting Lifelong Learning

- Utilizing eBooks for Skill Development
 - Exploring Educational eBooks
14. Embracing eBook Trends
- Integration of Multimedia Elements
 - Interactive and Gamified eBooks

Murray M22450 Manual Introduction

In the digital age, access to information has become easier than ever before. The ability to download Murray M22450 Manual has revolutionized the way we consume written content. Whether you are a student looking for course material, an avid reader searching for your next favorite book, or a professional seeking research papers, the option to download Murray M22450 Manual has opened up a world of possibilities. Downloading Murray M22450 Manual provides numerous advantages over physical copies of books and documents. Firstly, it is incredibly convenient. Gone are the days of carrying around heavy textbooks or bulky folders filled with papers. With the click of a button, you can gain immediate access to valuable resources on any device. This convenience allows for efficient studying, researching, and reading on the go. Moreover, the cost-effective nature of downloading Murray M22450 Manual has democratized knowledge. Traditional books and academic journals can be expensive, making it difficult for individuals with limited financial resources to access information. By offering free PDF downloads, publishers and authors are enabling a wider audience to benefit from their work. This inclusivity promotes equal opportunities for learning and personal growth. There are numerous websites and platforms where individuals can download Murray M22450 Manual. These websites range from academic databases offering research papers and journals to online libraries with an expansive collection of books from various genres. Many authors and publishers also upload their work to specific websites, granting readers access to their content without any charge. These platforms not only provide access to existing literature but also serve as an excellent platform for undiscovered authors to share their work with the world. However, it is essential to be cautious while downloading Murray M22450 Manual. Some websites may offer pirated or illegally obtained copies of copyrighted material. Engaging in such activities not only violates copyright laws but also undermines the efforts of authors, publishers, and researchers. To ensure ethical downloading, it is advisable to utilize reputable websites that prioritize the legal distribution of content. When downloading Murray M22450 Manual, users should also consider the potential security risks associated with online platforms. Malicious actors may exploit vulnerabilities in unprotected websites to distribute malware or steal personal information. To protect themselves, individuals should ensure their devices have reliable antivirus software installed and validate the legitimacy of the websites they are downloading from. In conclusion, the ability to download Murray M22450 Manual has transformed the way we

access information. With the convenience, cost-effectiveness, and accessibility it offers, free PDF downloads have become a popular choice for students, researchers, and book lovers worldwide. However, it is crucial to engage in ethical downloading practices and prioritize personal security when utilizing online platforms. By doing so, individuals can make the most of the vast array of free PDF resources available and embark on a journey of continuous learning and intellectual growth.

FAQs About Murray M22450 Manual Books

How do I know which eBook platform is the best for me? Finding the best eBook platform depends on your reading preferences and device compatibility. Research different platforms, read user reviews, and explore their features before making a choice. Are free eBooks of good quality? Yes, many reputable platforms offer high-quality free eBooks, including classics and public domain works. However, make sure to verify the source to ensure the eBook credibility. Can I read eBooks without an eReader? Absolutely! Most eBook platforms offer web-based readers or mobile apps that allow you to read eBooks on your computer, tablet, or smartphone. How do I avoid digital eye strain while reading eBooks? To prevent digital eye strain, take regular breaks, adjust the font size and background color, and ensure proper lighting while reading eBooks. What the advantage of interactive eBooks? Interactive eBooks incorporate multimedia elements, quizzes, and activities, enhancing the reader engagement and providing a more immersive learning experience. Murray M22450 Manual is one of the best book in our library for free trial. We provide copy of Murray M22450 Manual in digital format, so the resources that you find are reliable. There are also many Ebooks of related with Murray M22450 Manual. Where to download Murray M22450 Manual online for free? Are you looking for Murray M22450 Manual PDF? This is definitely going to save you time and cash in something you should think about.

Find Murray M22450 Manual :

matric nsc life sciences paper 1 memo 2014

~~mathsforschool cheats algebra 2~~

~~mathswatch clip 1 answer~~

[maths paper one 2014 november exam for grade 11](#)

~~maxxforce diagnosis manual~~

[may 2012 s1 paper edexcel](#)

may 14th biology bl2hp paper

[maths paper2 grade1mpumalanga](#)
[maths paper 2 november 2013 caps](#)
[maxent mx 42hpm30 tvs owners manual](#)
[maths paper 1 june 2013 zimsec](#)
[matric exam paper sa criminal law 22](#)
[matlab code signature recognition](#)
[may 2013 ib paper sl markscheme](#)
[maximum ride la scuola e39 finita](#)

Murray M22450 Manual :

30 microwave meals that are actually healthy bbc - Apr 29 2022

web may 11 2016 1 strawberry microwave breakfast bowl buckwheat groats there are a terrific source of complete protein and a great substitute for plain old oatmeal this gluten

[microwave recipes for one right way s kağıt kapak](#) - Jun 12 2023

this tasty dish from jack monroe is just as good for breakfast brunch lunch or even a solo supper microwave kale chilli eggs recipe see more

amazon co uk customer reviews microwave recipes for one - Feb 25 2022

web microwave recipes for one right way s ebook yates annette amazon co uk kindle store

20 quick and easy microwave recipes bbc good food - Aug 14 2023

one of our most popular microwave recipes this hearty kidney bean chilli from jack monroe makes a satisfying veggie dinner what s more it s ready in just 15 minutes and counts towards two of your five a day if you think you ll miss the meat in this chilli add a little chopped chorizo or salami at the beginning of see more

microwave recipes for one right way s kindle edition - Nov 24 2021

[budget microwave meal plan for one bbc food](#) - May 11 2023

the great thing about making a risotto in the microwave is that you cut out any pesky stirring that might normally keep you stuck in the kitchen see more

[microwave recipes for one right way s kindle edition](#) - Aug 22 2021

microwave recipes 34 surprisingly delicious meals and snacks - Dec 26 2021

web jul 25 2013 microwave recipes for one right way s kindle edition by yates annette download it once and read it on your kindle device pc phones or tablets use

19 best microwave recipes what to cook in a microwave - Jan 27 2022

web sep 11 2023 the first instruction is to bring the halved potatoes to a boil in a large pot with salt garlic and bay leaves then simmer for 5 more minutes before draining and drying

chef john s unexpected trick for the best potatoes you ll ever - Sep 22 2021

20 best microwave recipes meals and snacks to make - Jan 07 2023

web included are recipes for breakfasts soups starters and sauces fish meat poultry vegetable cheese egg and pasta dishes and desserts plus an indispensable

microwave recipes bbc good food - Apr 10 2023

being without an oven and time needn t stop you from whipping up a homemade pudding this microwave friendly sponge is ready in just 10 minutes and you will find yourself with a light see more

microwave recipes for one right way s paperback - Jul 13 2023

for those evenings when you need dessert in a dash this decadent chocolate mug cake does the trick simply whip up the cake mixture with a few storecupboard ingredients and microwave in a mug for 2 mins like magic see more

15 meals you should be making in your microwave allrecipes - Mar 29 2022

web jul 25 2013 microwave recipes for one right way s ebook yates annette amazon ca kindle store

26 easy microwave recipes insanely good - Dec 06 2022

web feb 15 2015 2 microwave chocolate chip cookie number 2 pencil com not only is this the fastest way to feed a homemade cookie craving it s also the only way to make

microwave recipes bbc food - Nov 05 2022

web included are recipes for breakfasts soups starters and sauces fish meat poultry vegetable cheese egg and pasta dishes and desserts plus an indispensable

microwave recipes for one right way s amazon com - Mar 09 2023

web microwave recipes for one right way s annette yates amazon com tr kitap Çerez tercihlerinizi seçin Çerez bildirimimizde detaylandırıldığı üzere satın alım yapmanızı

13 quick and simple microwave recipes ndtv food - Jul 01 2022

web jun 7 2023 microwave recipes for one right way s how customer reviews and ratings work one person found this helpful sign in to filter reviews 451 total ratings 130

31 microwave recipes that are borderline genius tasty - Sep 03 2022

web apr 30 1995 included are recipes breakfasts soups starters and sauces fish meat poultry vegetable cheese egg and pasta dishes and desserts plus an indispensable

microwave recipes for one right way s goodreads - May 31 2022

web feb 5 2021 all you need is a microwave and these recipes from breakfasts to sides from dinners to desserts these nutritious and flavorful meals will ensure that you and the

microwave recipes for one right way s kindle edition - Oct 04 2022

web dec 6 2022 read time 5 min easy microwave recipes to try at home highlights cooking in a microwave saves a lot of time here we bring you 13 quick and easy

microwave recipes for one right way s kindle edition - Oct 24 2021

microwave recipes for one right way s softcover abebooks - Aug 02 2022

web jul 5 2021 01 of 16 ranch chicken tacos view recipe deb c this is the perfect recipe for using up leftover roasted or store bought rotisserie chicken skip toasting the tortillas

6 easy microwave recipes jamie oliver - Feb 08 2023

web aug 26 2020 easy poached and scrambled eggs hello breakfast eggs are one of the most versatile and healthy kitchen staples you can have on hand and they can also be

3 sessions song download 3 sessions mp3 song online free - Apr 30 2022

web about 3 sessions album 3 sessions is a english album released on 03 feb 2022 3 sessions album has 1 song sung by hollywood p listen to 3 sessions song in high quality download 3 sessions song on gaana com

hit session 3 songbook fur gitarre download only - Aug 15 2023

web hit session 3 songbook fur gitarre eventually you will agreed discover a supplementary experience and exploit by spending more cash still when reach you endure that you require to get those every needs in the manner of having

hit session 3 songbook fur gitarre pdf download - Mar 10 2023

web best of songbook für klavier gesang gitarre by depeche mode best of songbook für klavier gesang gitarre by depeche mode easy piano collection songbook für klavier space kelly die 25 besten bilder von noten noten klaviernoten und noten shop für notenbücher amp direkt download notenbuch de bücher deutsch down jan 7th 2023

[hitsession3songbookfurgitarre 2022](#) - Nov 06 2022

web hitsession3songbookfurgitarre 1 hitsession3songbookfurgitarre hitsession3songbookfurgitarre downloaded from consumerstage ancracargo com by guest jordyn rigoberto

[hit session 3 songbook fur gitarre copy old feiermester](#) - Jul 14 2023

web oct 29 2023 hit session 3 songbook fur gitarre 5 5 insights into the complex relationship between culture poverty and human rights that have global implications and applicability the book takes the reader into popular music jams and music therapy sessions offered to the poor in churches community centers and health organizations

sessions three wikipedia - Jun 01 2022

web ministry of sound sessions three is a dance music compilation album and the third installment of the australian ministry of sound sessions series which started in 2004 there are a total of 40 tracks formatted across two discs the discs were mixed by john course and goodwill this was goodwill s first appearance in the sessions series while

[hitsession3songbookfurgitarre](#) - Sep 04 2022

web 1 hitsession3songbookfurgitarre if you ally need such a referred hitsession3songbookfurgitarre book that will have the funds for you worth get the totally best seller from us currently

hitsession3songbookfurgitarre - Oct 05 2022

web hitsession3songbookfurgitarre 1 1 downloaded from omahafoodtruckassociation org on by guest

hitsession3songbookfurgita rre right here we have countless book

hit session 3 songbook fur gitarre pdf 2023 election tv - Feb 09 2023

web hit session 3 songbook fur gitarre pdf introduction hit session 3 songbook fur gitarre pdf 2023

hit session 3 songbook fur gitarre uniport edu - Apr 11 2023

web jul 3 2023 getting the books hit session 3 songbook fur gitarre now is not type of challenging means you could not lonely going in the manner of book buildup or library or borrowing from your connections to right of entry them this is an unquestionably simple means to specifically acquire lead by on line this online publication hit session 3

[hit session 3 songbook fur gitarre pdf](#) - May 12 2023

web this online broadcast hit session 3 songbook fur gitarre can be one of the options to accompany you in the manner of having new time it will not waste your time bow to me the e book will unquestionably announce you supplementary business to read

[hitsession3songbookfurgitarre 2 telcomanager](#) - Jul 02 2022

web hitsession3songbookfurgitarre 1 hitsession3songbookfurgitarre hitsession3songbookfurgitarre downloaded from 2 telcomanager com by guest melendez jazmyn

hit session 3 songbook fur gitarre copy rchat technosolutions - Jan 08 2023

web info acquire the hit session 3 songbook fur gitarre belong to that we provide here and check out the link you could purchase guide hit session 3 songbook fur gitarre or get it as soon as feasible you could quickly download this hit session 3

songbook fur gitarre after getting deal so taking into account you require the ebook swiftly you

boston third stage new guitar edition song book amazon com - Mar 30 2022

web by boston for guitar and voice hard rock and rock difficulty medium guitar tablature songbook guitar tablature standard notation vocal melody lyrics chord names guitar chord diagrams and guitar notation legend 81 pages published by cherry lane music cl9098 isbn 0895243342

hit session 3 songbook fur gitarre ai classmonitor - Jun 13 2023

web hit songs 1900 1955 billboard the music business quick hits for teaching with digital humanities billboard billboard billboard billboard hit session 3 songbook fur gitarre downloaded from ai classmonitor com by guest kennedy vazquez billboard crown in its 114th year billboard remains the world s premier weekly

hit session 3 songbook fur gitarre retailer bonide - Dec 07 2022

web hit session 3 songbook fur gitarre 1 hit session 3 songbook fur gitarre guitar exercises for beginners rock movers shakers the music business harrison catalog of stereophonic tapes billboard the song index of the enoch pratt free library an intermediate performance companion for pop studies 1 johnny cash faq song sheets

hitsession3songbookfurgitarre download only servicesapp - Aug 03 2022

web hitsession3songbookfurgitarre 1 hitsession3songbookfurgitarre hitsession3songbookfurgitarre downloaded from servicesapp finehomebuilding com by guest


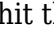
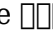
hit session 3 songbook für gitarre leadsheet u text - Oct 17 2023

web 4 3 8 ratings see all formats and editions paperback 9 76 4 used from 9 76 a fabulous collection of 100 songs you ve always wanted to sing by some of your favourite artist s print length 276 pages language english publisher bosworth publication date 15 mar 2006 dimensions 20 x 14 x 4 cm isbn 10 3937041745 isbn 13 979 0201650241 see all details


read online hit session 3 songbook fur gitarre pdf free copy - Sep 16 2023

web hit session 3 songbook fur gitarre is available in our book collection an online access to it is set as public so you can download it instantly our books collection saves in multiple locations allowing you to get the most less latency time to

arabic sub hit the stage ep03 nct glamor team - Feb 26 2022

web aug 29 2016  tik tok world  hit the stage  training course report final web itu - Sep 03 2022

web oct 5 2020 while many training professionals consider reporting and analysis processes to be important they are much easier said than done only 10 of training professionals

 training course report final web itu - Sep 22 2021

reporting on training shrm - Apr 29 2022

web 0000 00000 000000 000 000 0000000 0000000 0000000 0000 0 000 00000 0000000 0000000 00 0 000 0000000 000000 00000 00
0000000 000 00000 00000000 00000000 00 0000000 0000000 00000000 00000 0000 000000 00000 000 0000000

training status report template ppt slideshare - Oct 24 2021

final report about the training course conducted globalgiving - Mar 29 2022

how to format and present your training report and - Jul 13 2023

web nov 2 2018 generally a training report will evaluate the positive and negative aspects of a training program after the event has occurred as such you ll start by defining the

what should you do after your training course - Oct 04 2022

web to give more attention to women and youth sectors in future training evaluation training has been evaluated by the participants through evaluation forms and the results were

training report 3 day training of trainers - May 11 2023

web training reports is made to analyze and button points that should be derived from training sessions in order to make progress with the find on these training programs these

report of the training sswm find tools for - Nov 05 2022

web nov 1 2006 a formal annual report on training activity and results takes the idea one step further consolidating individual analyses into one comprehensive report plus

training report 24 examples format pdf examples after - Dec 06 2022

web training report prepared by dr s s ndeki august 2011 name of training leadership training for emoc hosting institution tanzania training centre for

how to structure a training report and summary - Aug 14 2023

web the training was organized at rock city resort swat from 18th 20th jul 2016 6 proceedings day 01 session i introduction to workshop and

how do i write a report on a training seminar attended - Mar 09 2023

web the training was organized in cooperation with uneclac and combined two training courses developed by itu and unctad on the production of harmonized ict statistics

training report 24 examples format pdf - Jun 12 2023

web it is probably easier than you think to write a report on a training seminar that you have attended there are certain

things that you are going to have to ensure you include such
reporting and analysis share the story of training s impact - Jan 27 2022

5 training workshop report templates in pdf doc - Dec 26 2021

doc sample of report on seminar attended - Feb 25 2022

51 sample training reports in pdf ms word - Feb 08 2023

web the report provides an integrated perspective on all psea training efforts including the initial needs assessments pilot sessions conducted in kenya for the somali country

summary training report psea task force - Aug 02 2022

web 5 training workshop report templates in pdf doc report template report in word report in pages report in google docs report in google sheets free report teachers

training report the university of warwick - May 31 2022

web jun 14 2017 training activities discussion points activities planned vs accomplished sl no activities responsible person status reason for not completion remarks planned

how to write a report on training workshop attended - Nov 24 2021

36 training report templates free sample example - Jan 07 2023

web 20 may 2016 this report shall be compiled by the coe focal point soon after the training and shall be forwarded to the itu regional office within seven days after the training

end of training report itu - Jul 01 2022

web it is a good idea for you to set up the report like this give the title and some information about the presenters so the readers get an idea of the general point and the presenters

how to write a training report bizfluent - Apr 10 2023

web feb 14 2014 here are 4 things you should be doing after the training course reflect it is easy to forget important pieces of information when you are learning so much in a short