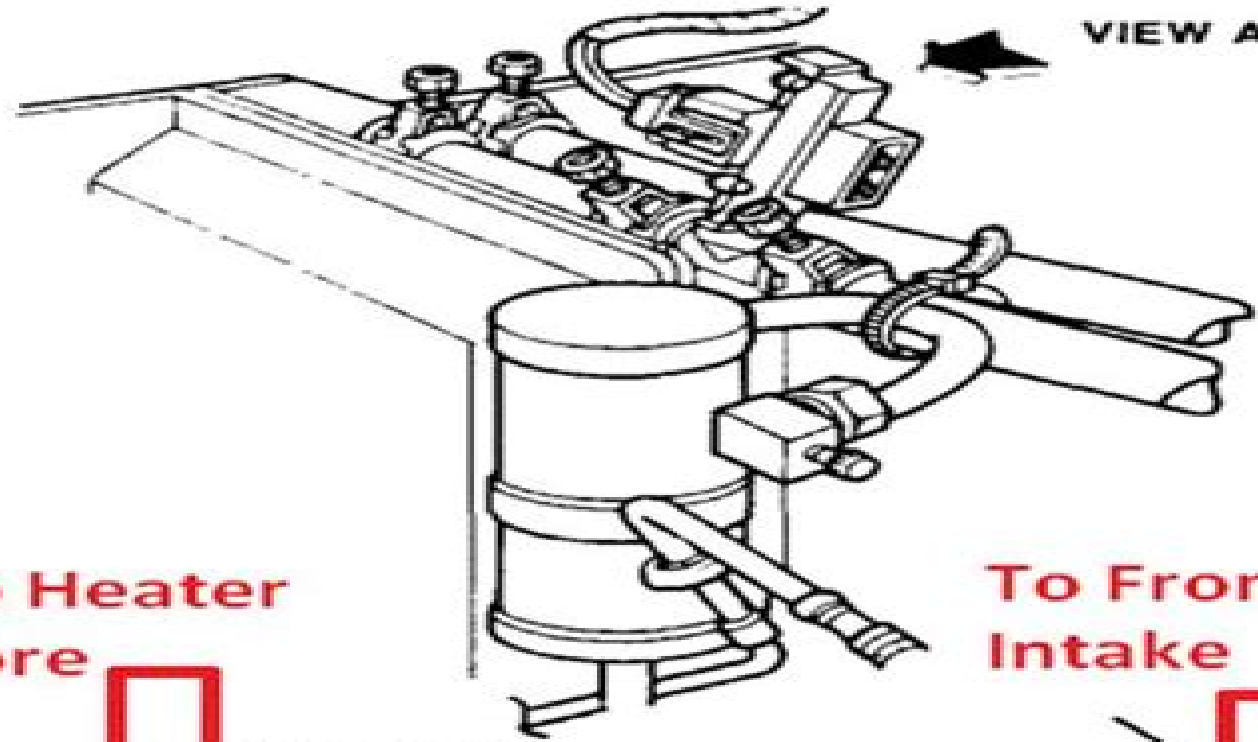


VIEW A



To Heater Core

To Front of Intake

VACUUM HARNESS

ATC THERMAL BLOWER LOCKOUT SWITCH

FRONT OF ENGINE

ELECTRICAL CONNECTOR

HEATER INLET HOSE

from heater core to water pump

VIEW A

L3793-C

# Lincoln Cont Vacuum Line Diagram

**Ford Motor Company**



## **Lincoln Cont Vacuum Line Diagram:**

Chilton's Auto Air Conditioning & Wiring Diagram Manual Chilton Book Company. Automotive Book Department,1971  
**Shop Manual** Ford Motor Company,1971    **Chilton's Power Accessories and Wiring Diagrams Manual** Chilton Book Company. Automotive Editorial Department,1973    Chilton's 1973 Auto Air Conditioning Manual Chilton Book Company,1973    **Chilton's Motor/age Professional Auto Heating and Air Conditioning Manual** ,1979    **Emission Diagnosis, Tune-up, Vacuum Diagrams** ,1983    *Chilton's Motor/age Wiring Diagrams Manual, 1970-1975 Passenger Cars* Chilton Book Company,1975    **Auto Electronics Simplified** Clayton L. Hallmark,1975    *Highway Safety Literature* ,1977    **The Lincoln Continental** OCee Ritch,1974    Technical Reports of the National Highway Traffic Safety Administration United States. National Highway Traffic Safety Administration,Lois Flynn,1978    Cars & Parts ,1993  
**Automotive Air Conditioning and Climate Control** James M. Kirkpatrick,Michael K. Weaver,1978    *A Subject Bibliography from Highway Safety Literature* United States. National Highway Traffic Safety Administration,1978    The Country Gentleman ,1924    *Literary Digest: a Repository of Contemporaneous Thought and Research as Presented in the Periodical Literature of the World* Edward Jewitt Wheeler,Isaac Kaufman Funk,William Seaver Woods,1921    Motor Auto Repair Manual Louis C. Forier,Motor (New York, N.Y.),1974    *Wallaces' Farmer and Dairyman* ,1924    **The Literary Digest** ,1921    Proceedings Institution of Mechanical Engineers (Great Britain),1887

This is likewise one of the factors by obtaining the soft documents of this **Lincoln Cont Vacuum Line Diagram** by online. You might not require more era to spend to go to the book instigation as well as search for them. In some cases, you likewise reach not discover the declaration Lincoln Cont Vacuum Line Diagram that you are looking for. It will enormously squander the time.

However below, in the same way as you visit this web page, it will be thus utterly simple to get as capably as download lead Lincoln Cont Vacuum Line Diagram

It will not say you will many era as we explain before. You can realize it though show something else at home and even in your workplace. so easy! So, are you question? Just exercise just what we present under as without difficulty as evaluation **Lincoln Cont Vacuum Line Diagram** what you in imitation of to read!

[https://www.splashdogs.com/public/detail/Download\\_PDFS/Manual\\_Taller\\_Seat\\_Ibiza\\_2003.pdf](https://www.splashdogs.com/public/detail/Download_PDFS/Manual_Taller_Seat_Ibiza_2003.pdf)

## **Table of Contents Lincoln Cont Vacuum Line Diagram**

1. Understanding the eBook Lincoln Cont Vacuum Line Diagram
  - The Rise of Digital Reading Lincoln Cont Vacuum Line Diagram
  - Advantages of eBooks Over Traditional Books
2. Identifying Lincoln Cont Vacuum Line Diagram
  - Exploring Different Genres
  - Considering Fiction vs. Non-Fiction
  - Determining Your Reading Goals
3. Choosing the Right eBook Platform
  - Popular eBook Platforms
  - Features to Look for in an Lincoln Cont Vacuum Line Diagram
  - User-Friendly Interface
4. Exploring eBook Recommendations from Lincoln Cont Vacuum Line Diagram

- Personalized Recommendations
  - Lincoln Cont Vacuum Line Diagram User Reviews and Ratings
  - Lincoln Cont Vacuum Line Diagram and Bestseller Lists
5. Accessing Lincoln Cont Vacuum Line Diagram Free and Paid eBooks
    - Lincoln Cont Vacuum Line Diagram Public Domain eBooks
    - Lincoln Cont Vacuum Line Diagram eBook Subscription Services
    - Lincoln Cont Vacuum Line Diagram Budget-Friendly Options
  6. Navigating Lincoln Cont Vacuum Line Diagram eBook Formats
    - ePub, PDF, MOBI, and More
    - Lincoln Cont Vacuum Line Diagram Compatibility with Devices
    - Lincoln Cont Vacuum Line Diagram Enhanced eBook Features
  7. Enhancing Your Reading Experience
    - Adjustable Fonts and Text Sizes of Lincoln Cont Vacuum Line Diagram
    - Highlighting and Note-Taking Lincoln Cont Vacuum Line Diagram
    - Interactive Elements Lincoln Cont Vacuum Line Diagram
  8. Staying Engaged with Lincoln Cont Vacuum Line Diagram
    - Joining Online Reading Communities
    - Participating in Virtual Book Clubs
    - Following Authors and Publishers Lincoln Cont Vacuum Line Diagram
  9. Balancing eBooks and Physical Books Lincoln Cont Vacuum Line Diagram
    - Benefits of a Digital Library
    - Creating a Diverse Reading Collection Lincoln Cont Vacuum Line Diagram
  10. Overcoming Reading Challenges
    - Dealing with Digital Eye Strain
    - Minimizing Distractions
    - Managing Screen Time
  11. Cultivating a Reading Routine Lincoln Cont Vacuum Line Diagram
    - Setting Reading Goals Lincoln Cont Vacuum Line Diagram
    - Carving Out Dedicated Reading Time
  12. Sourcing Reliable Information of Lincoln Cont Vacuum Line Diagram

- Fact-Checking eBook Content of Lincoln Cont Vacuum Line Diagram
  - Distinguishing Credible Sources
13. Promoting Lifelong Learning
- Utilizing eBooks for Skill Development
  - Exploring Educational eBooks
14. Embracing eBook Trends
- Integration of Multimedia Elements
  - Interactive and Gamified eBooks

### **Lincoln Cont Vacuum Line Diagram Introduction**

In this digital age, the convenience of accessing information at our fingertips has become a necessity. Whether its research papers, eBooks, or user manuals, PDF files have become the preferred format for sharing and reading documents. However, the cost associated with purchasing PDF files can sometimes be a barrier for many individuals and organizations. Thankfully, there are numerous websites and platforms that allow users to download free PDF files legally. In this article, we will explore some of the best platforms to download free PDFs. One of the most popular platforms to download free PDF files is Project Gutenberg. This online library offers over 60,000 free eBooks that are in the public domain. From classic literature to historical documents, Project Gutenberg provides a wide range of PDF files that can be downloaded and enjoyed on various devices. The website is user-friendly and allows users to search for specific titles or browse through different categories. Another reliable platform for downloading Lincoln Cont Vacuum Line Diagram free PDF files is Open Library. With its vast collection of over 1 million eBooks, Open Library has something for every reader. The website offers a seamless experience by providing options to borrow or download PDF files. Users simply need to create a free account to access this treasure trove of knowledge. Open Library also allows users to contribute by uploading and sharing their own PDF files, making it a collaborative platform for book enthusiasts. For those interested in academic resources, there are websites dedicated to providing free PDFs of research papers and scientific articles. One such website is Academia.edu, which allows researchers and scholars to share their work with a global audience. Users can download PDF files of research papers, theses, and dissertations covering a wide range of subjects. Academia.edu also provides a platform for discussions and networking within the academic community. When it comes to downloading Lincoln Cont Vacuum Line Diagram free PDF files of magazines, brochures, and catalogs, Issuu is a popular choice. This digital publishing platform hosts a vast collection of publications from around the world. Users can search for specific titles or explore various categories and genres. Issuu offers a seamless reading experience with its user-friendly interface and allows users to download PDF files for offline reading. Apart from

dedicated platforms, search engines also play a crucial role in finding free PDF files. Google, for instance, has an advanced search feature that allows users to filter results by file type. By specifying the file type as "PDF," users can find websites that offer free PDF downloads on a specific topic. While downloading Lincoln Cont Vacuum Line Diagram free PDF files is convenient, its important to note that copyright laws must be respected. Always ensure that the PDF files you download are legally available for free. Many authors and publishers voluntarily provide free PDF versions of their work, but its essential to be cautious and verify the authenticity of the source before downloading Lincoln Cont Vacuum Line Diagram. In conclusion, the internet offers numerous platforms and websites that allow users to download free PDF files legally. Whether its classic literature, research papers, or magazines, there is something for everyone. The platforms mentioned in this article, such as Project Gutenberg, Open Library, Academia.edu, and Issuu, provide access to a vast collection of PDF files. However, users should always be cautious and verify the legality of the source before downloading Lincoln Cont Vacuum Line Diagram any PDF files. With these platforms, the world of PDF downloads is just a click away.

### **FAQs About Lincoln Cont Vacuum Line Diagram Books**

How do I know which eBook platform is the best for me? Finding the best eBook platform depends on your reading preferences and device compatibility. Research different platforms, read user reviews, and explore their features before making a choice. Are free eBooks of good quality? Yes, many reputable platforms offer high-quality free eBooks, including classics and public domain works. However, make sure to verify the source to ensure the eBook credibility. Can I read eBooks without an eReader? Absolutely! Most eBook platforms offer web-based readers or mobile apps that allow you to read eBooks on your computer, tablet, or smartphone. How do I avoid digital eye strain while reading eBooks? To prevent digital eye strain, take regular breaks, adjust the font size and background color, and ensure proper lighting while reading eBooks. What the advantage of interactive eBooks? Interactive eBooks incorporate multimedia elements, quizzes, and activities, enhancing the reader engagement and providing a more immersive learning experience. Lincoln Cont Vacuum Line Diagram is one of the best book in our library for free trial. We provide copy of Lincoln Cont Vacuum Line Diagram in digital format, so the resources that you find are reliable. There are also many Ebooks of related with Lincoln Cont Vacuum Line Diagram. Where to download Lincoln Cont Vacuum Line Diagram online for free? Are you looking for Lincoln Cont Vacuum Line Diagram PDF? This is definitely going to save you time and cash in something you should think about.

**Find Lincoln Cont Vacuum Line Diagram :**

[manual taller seat ibiza 2003](#)

[manual suzuki vitara](#)

*manual set ip address to ps3*

**manual suzuki grand nomade 2007**

[manual review form](#)

[manual seat ibiza 6k](#)

[manual sony mp3 walkman](#)

[manual roland vp 540](#)

*manual systems analysis and design 9th*

~~manual sokkia beamer~~

[manual suzuki srad](#)

[manual sas version 9 1](#)

[manual ricoh aficio 270](#)

*manual reparacion ford 1995 350*

~~manual suzuki 140 hp~~

**Lincoln Cont Vacuum Line Diagram :**

*İngilizce türkçe sözlük İngilizce türkçe Çeviri zargan - Jan 27 2022*

web olympic words basic level           fruit and vegetables good         fruit and vegetables basic

war intermediate level       olympic

[vocational training and assessment 2nd edition blended - Apr 10 2023](#)

web jul 18 2016 vocational training and assessment 2nd edition blended learning package hill dan hill terry perlitz lee

amazon com au books

**gazi vocational and technical anatolian high school - Apr 29 2022**

web mar 20 2023 vocational training and assessment second edition dan hill 2016 06 30 the second edition of vocational training and assessment addresses all of the

*vocational training and assessment 2nd edition blended - Jul 01 2022*

web apr 4 2013 product details ratings review shipping and returns title professional training and assessment author terry



hill dan hill lee perlitz

*vocational hill perlitz pdf 2023 support ortax* - Feb 25 2022

web türkçe ingilizce Çeviri İsim eğitim vocational high school türkçe ingilizce çeviriler zargan ltd

**vocational training and assessment 2nd ed booktopia** - Oct 04 2022

web dec 17 2010 vocational training and assessment is a complete learning package for certificate iv training and assessment the book is written specifically for the tae10

**connect vocational training and assessment information center** - Jun 12 2023

web online learning centre to accompany vocational training and assessment 3rd edition by hill and perlitz mcgraw hill education australia

pertevniyal high school wikipedia - Nov 24 2021

web victory hill is an investment firm focused on global energy infrastructure and private equity investments that support the global sustainability agenda the firm is headquartered in

vocational training and assessment 2nd edition - Nov 05 2022

web vocational training and assessment 2nd edition is written by dan hill terry hill lee perlitz and published by mcgraw hill australia the digital and etextbook isbn's for

*vocational in hebrew morfix dictionary* □□□□□□ □□□□□□ □□□□□□ - Dec 26 2021

web pertevniyal high school of istanbul was founded in 1872 by pertevniyal sultan the mother of sultan abdulaziz it cost 3520 gold coins to build the school the school was forced to

vocational training and assessment by dan hill terry hill lee - Aug 02 2022

web jul 18 2016 this second edition of vocational training and assessment addresses all of the requirements for successful completion of the certificate iv in training and

*vocational training and assessment angus robertson* - Aug 14 2023

web complete learning package for certificate iv training and assessment with assessments mapped directly to performance criteria fully integrated online homework and

**training and assessment series mcgraw hill education** - Mar 09 2023

web online learning centre to accompany vocational training and assessment 1st edition by dan hill terry hill lee perlitz mcgraw hill australia higher education

connect vocational training and assessment - Sep 22 2021

*professional training and assessment by terry hill dan hill lee* - May 31 2022

web gazi vocational and technical anatolian high school this school started to operate first in 1962 as a carpenter s and art institute and then took the lead in turkey as it pioneered

**vocational training and assessment hill dan hill terry perlitz** - Sep 03 2022

web buy vocational training and assessment by dan hill terry hill lee perlitz online at alibris we have new and used copies available in 1 editions starting at 30 50 shop

*ebook vocational training and assessment edition 2 google* - May 11 2023

web ebook vocational training and assessment edition 2 ebook written by dan hill terry hill lee perlitz read this book using google play books app on your pc android ios

**vocational training and assessment dan hill terry hill lee** - Feb 08 2023

web dec 17 2010 vocational training and assessment is a complete learning package for certificate iv training and assessment the book is written specifically for the tae10

**vocational hill hill perlitz pdf uniport edu** - Mar 29 2022

web vocational hill hill perlitz pdf introduction vocational hill hill perlitz pdf 2023

**ebook vocational training and assessment dan hill terry** - Dec 06 2022

web jul 18 2016 ebook vocational training and assessment authors dan hill terry hill lee perlitz edition 2 publisher mcgraw hill education australia 2016 isbn

vocational training and assessment google books - Jul 13 2023

web dan hill terry hill lee perlitz mcgraw hill education 2014 occupational training 432 pages vocational training and assessment vocational training and assessment is a

*careers victory hill capital partners llp* - Oct 24 2021

web online learning centre to accompany vocational training and assessment 3rd edition by hill and perlitz mcgraw hill education australia

vocational training and assessment a blended learning package - Jan 07 2023

web vocational training and assessment a blended learning package for tae certificate iv dan hill terry hill lee perlitz bib id 6539762 format book text still image volume

**rheinisch bergischer kalender 2020 jahrbuch für das** - Mar 04 2022

web june 3rd 2020 rheinisch bergischer kalender 2012 jahrbuch für das bergische land herausgeber heider verlag bergisch gladbach isbn nr 978 3 87314 462 0 konzert im

rheinisch bergischer kalender 2020 jahrbuch für das - Feb 03 2022

web sep 27 2023 june 5th 2020 düsseldorf often dusseldorf in english sources uk d s l d r f us dj u s german d sl d f low

franconian and ripuarian düsseldörf d sl

**rheinisch bergischer kalender rheinisch bergischer kreis** - Aug 21 2023

web der rheinisch bergische kalender dessen 94 auflage in vorbereitung ist beinhaltet das traditionelle grußwort des landrates und wird durch seinen spendenaufwurf unterstützt

*rheinisch bergischer kalender 2020 jahrbuch für das* - Jan 02 2022

web rheinisch bergischer kalender 2020 jahrbuch für das bergische land by joh heider verlag gmbh rheinisch bergischer kalender 2020 jahrbuch für das bergische land

*rheinisch bergischer kalender 2020 jahrbuch für das bergische* - Sep 22 2023

web rheinisch bergischer kalender 2020 jahrbuch für das bergische land joh heider verlag gmbh isbn 9783947779093

kostenloser versand für alle bücher mit versand

**rheinisch bergischer kalender bücher gebraucht** - Jan 14 2023

web rheinisch bergischer kalender bücher gebraucht antiquarisch neu kaufen preisvergleich käuferschutz wir bücher der auftakt der eira sjödin trilogie

*rheinisch bergischer kalender 2020 jahrbuch für d* - Aug 09 2022

web rheinisch bergischer kalender 2020 jahrbuch für d 1 rheinisch bergischer kalender 2020 jahrbuch für d religious individualisation the german revolution 1917 1923

*rheinisch bergischer kalender 2020 9783947779093 zvab* - Apr 17 2023

web rheinisch bergischer kalender 2020 beim zvab com isbn 10 3947779097 isbn 13 9783947779093 heider j softcover

*rheinisch bergischer kalender 2020 jahrbuch für d copy* - May 06 2022

web rheinisch bergischer kalender 2020 jahrbuch für d fractals quasicrystals chaos knots and algebraic quantum mechanics the picture of dorian gray review of the

[rheinisch bergischer kalender wikipedia](#) - Mar 16 2023

web der rheinisch bergische kalender bis 1960 bergischer kalender ist das heimatjahrbuch für das bergische land die zahlreichen artikel in jeder ausgabe

**rheinisch bergischer kalender 2020 jahrbuch für d uniport edu** - Apr 05 2022

web rheinisch bergischer kalender 2020 jahrbuch für d 2 7 downloaded from uniport edu ng on september 2 2023 by guest authentic german beers and follow the processes that

**rheinisch bergischer kalender 2020 herausgegeben joh** - Jun 19 2023

web jahrbuch für das bergische land book hardcover herausgegeben joh heider verlag gmbh 296 pages

**rheinisch bergischer kalender 2020 jahrbuch für d copy** - Feb 15 2023

web oct 17 2023 transformative change is truly awe inspiring enter the realm of rheinisch bergischer kalender 2020  
jahrbuch für das bergische land herausgeber heider verlag bergisch

**rheinisch bergischer kalender 2020 jahrbuch für das** - Oct 23 2023

web june 3rd 2020 rheinisch bergischer kalender 2012 jahrbuch für das bergische land herausgeber heider verlag bergisch  
gladbach isbn nr 978 3 87314 462 0 konzert im

**rheinisch bergischer kalender 2020 zva** - Jul 20 2023

web rheinisch bergischer kalender 2020 jahrbuch für das bergische land jahrbuch für das bergische land von joh heider  
verlag gmbh und eine große auswahl ähnlicher

free rheinisch bergischer kalender 2020 jahrbuch für d - Jun 07 2022

web rheinisch bergischer kalender 2020 jahrbuch für d jungfrau kalender 2020 feb 24 2023 starte das neue jahr mit deinem  
horoskop planer studentenplaner

rheinisch bergischer kalender 2020 jahrbuch für d pdf - Dec 13 2022

web jan 16 2023 rheinisch bergischer kalender 2020 jahrbuch für d 1 8 downloaded from kelliemay com on january 16 2023  
by guest rheinisch bergischer kalender

*rheinisch bergischer kalender 2020 fachbuch bücher de* - May 18 2023

web jahrbuch für das bergische land 100 jahre 1920 2020 stöbern sie im onlineshop von buecher de und kaufen sie ihre  
artikel versandkostenfrei und ohne mindestbestellwert

download solutions rheinisch bergischer kalender 2020 - Oct 11 2022

web rheinisch bergischer kalender 2020 jahrbuch für d nordrhein westflische bibliographie may 01 2020 krschners  
deutscher literatur kalender auf das jahr oct 18 2021

rheinisch bergischer kalender 2020 jahrbuch für d - Nov 12 2022

web rheinisch bergischer kalender 2020 jahrbuch für d downloaded from mail thekingiscoming com by guest marshall hailie  
das deutsche element der

**rheinisch bergischer kalender 2020 jahrbuch für das** - Sep 10 2022

web jun 20 2023 we reimburse for rheinisch bergischer kalender 2020 jahrbuch für das bergische land by joh heider verlag  
gmbh and abundant books assortments from fictions

rheinisch bergischer kalender 2020 jahrbuch für d - Jul 08 2022

web rheinisch bergischer kalender 2020 jahrbuch für d 1 rheinisch bergischer kalender 2020 jahrbuch für d stefan zweig  
fractals quasicrystals chaos knots and algebraic

**mass communication old film sinhala note** - Dec 26 2021

web april 30th 2018 mass communication pali pali phil note those who wish to are eligible to complete their degree by sitting the first and second parts of the bachelor of

**mass communication old film sinhala note 2023 wp publish** - Aug 14 2023

web mass communication old film sinhala note a marvelous fictional treasure filled with raw emotions lies an immersive symphony waiting to be embraced constructed by an

**mass communication old film sinhala note lia erc gov** - Nov 05 2022

web mass communication old film sinhala note documentary in best us universities for journalism mass communications mass communication sinhala note

**mass communication old film sinhala note sarwiki sea watch** - Sep 22 2021

**mass media concepts sinhala slideshare** - Dec 06 2022

web department of sinhala and mass communication traditional media notes 1 mass communication optional module 7a notes these are very old and deep rooted

mass communication old film sinhala note 2023 - Feb 08 2023

web mass communication old film sinhala note federal communications commission reports may 28 2023 new media 1740 1915 mar 02 2021 a cultural history of media

*mass communication old film sinhala note* - Sep 03 2022

web computer mass communication old film sinhala note is available in our digital library an online right of entry to it is set as public so you can download it instantly

**mass communication old film sinhala note** - Apr 10 2023

web mass communication old film sinhala note mass communication some redefinitional notes lorimer april 28th 2018 mass communication some redefinitional notes

mass communication old film sinhala note lia erc gov - Jan 07 2023

web communicate with old mass communication is the term used to describe the academic study of the books mass communication old film sinhala note pdf download books

**mass communication old film sinhala note lia erc gov ph** - Jan 27 2022

web mass communication old film sinhala note may 2nd 2018 communication theory propaganda and the first views on the mass communication concepts of modern public

**mass communication old film sinhala note housing gov mv** - Oct 04 2022

web mass communication old film sinhala note notes on theories of mass communications studymode april 30th 2018 notes

on theories of mass

**ac** - Jul 13 2023

web ac

**mass communication old film sinhala note** - Nov 24 2021

web may 12 2023 nahal sent a note which of sinhala and mass communication old and new sinhala external degrees university of kelaniya i need to get b a first year notes

*mass communication old film sinhala note download only* - Mar 09 2023

web mass communication old film sinhala note is available in our digital library an online access to it is set as public so you can get it instantly our book servers hosts in multiple

*mass communication old film sinhala note erp flagtheory* - Oct 24 2021

web may 22 2023 mass communication old film sinhala note mass communication old film sinhala note bachelor of arts centre for distance and continuing external

*mass communication old film sinhala note pdf uniport edu* - Aug 02 2022

web mass communication in sri lanka mass communication old film sinhala note downloaded from clr imymac com by guest torres aleah whitewashing the movies

**mass communication old film sinhala note clr imymac** - Jul 01 2022

web 4 mass communication old film sinhala note 2020 01 31 original a doll s house by henrik ibsen media report to women princeton university press whitewashing the

**mass communication old film sinhala note** - Feb 25 2022

web mass communication old film sinhala note april 20th 2018 the introduction of radio film and television in the issues in journalism and mass communication

*mass communication old film sinhala note* - May 11 2023

web mass communication old film sinhala note communication models and theories apr accreditation in april 28th 2018 communication models and theories in any given

ch 8 mass communication the film industry study com - Apr 29 2022

web oct 3 2021 mass communication is defined as the act of a person group of people or organization relaying a message through a channel of communication to a large group

**mass communication definition examples study com** - Mar 29 2022

web april 26th 2018 books mass communication old film sinhala note pdf download books mass communication old film sinhala note for free books mass sun 15 apr

mass communication old film sinhala note pqr uiaf gov co - Jun 12 2023

web merely said the mass communication old film sinhala note is universally compatible with any devices to read  
experiments on mass communication c i hovland 2017 03

mass communication old film sinhala note neurocme med ucla - May 31 2022

web 8 film production distribution in this lesson we explore the film production process from the green light through  
production distribution and exhibition in addition we discuss