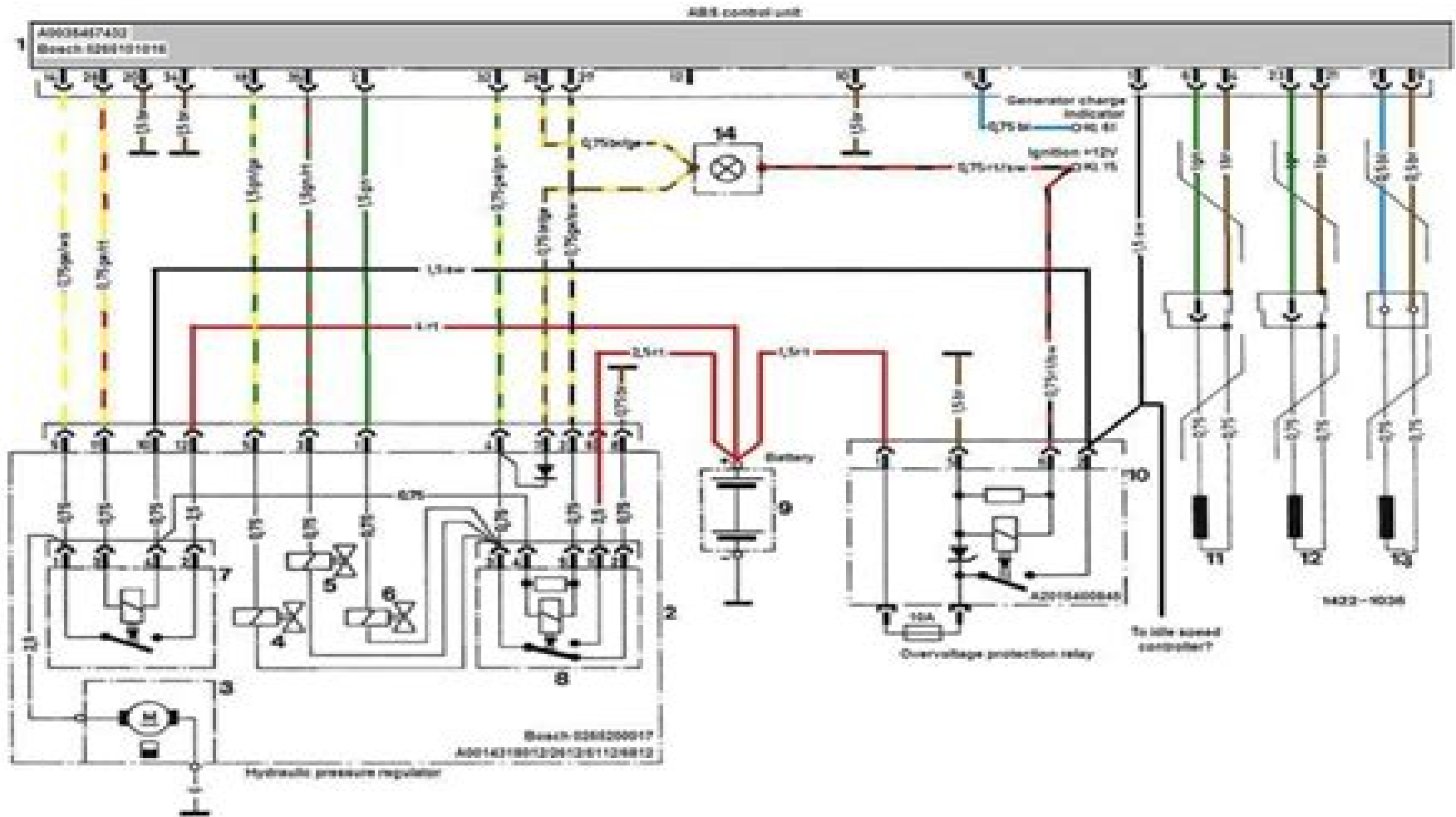


# ABS wiring diagram



- 1 Electronic control unit
- 2 Hydraulic unit
- 3 Return pump motor
- 4 Solenoid valve for rear axle
- 5 Solenoid valve for front axle, right
- 6 Solenoid valve for front axle, left
- 7 Relay for return pump motor
- 8 Relay for solenoid valves
- 9 Battery

- 10 Overvoltage protection relay, also for idle speed control
- 11 Left front wheel speed sensor
- 12 Right front wheel speed sensor
- 13 Rear wheels speed sensor
- 14 ABS warning lamp

# Mercedes Abs Wiring Diagram

**CH Cherryholmes**



## **Mercedes Abs Wiring Diagram:**

*Mercedes W126: Buy, Maintain, Repair, and Love the 1980 to 1991 Mercedes S Class* Steve Sorensen, 2025-06-01 The W126 isn't just a car it's a statement And keeping that statement running requires deep know how That's where this guide comes in I'll demystify everything from the vacuum locks to timing chains We're talking deep detailed discussions of W126 Essentials Why they're so special what to look for before you buy Engine Fuel Wisdom Tackling timing chains Bosch Jetronic bugaboos and common leaks Climate Control Conquered Finally understand that HVAC system Body Interior Savvy Fighting rust fixing tricky windows and electrical gremlins Suspension Brakes More From SLS quirks to keeping it all running smoothly Forget misleading TikToks or dry manuals This is packed with real world tips and tricks whether you DIY or just want to speak your mechanic's language Dodge common pitfalls save money and love owning the best car ever built Dive in with me and let's enjoy keeping these legends on the road Automobile Electrical and Electronic Systems Tom Denton, 2013-07-04 This textbook will help you learn all the skills you need to pass Level 3 vehicle electrical and electronic systems courses or related modules from City and Guilds IMI and BTEC and is also ideal for higher level ASE AUR and other qualifications As electrical and electronic systems become increasingly more complex and fundamental to the workings of modern vehicles understanding these systems is essential for automotive technicians For students new to the subject this book will help to develop this knowledge but will also assist experienced mechanics in keeping up with recent technological advances This new edition includes information on developments in hybrid car technology GPS multiplexing and electronic stability vehicle dynamics control In full colour and covering the latest course specifications this is the guide that no student enrolled on an automotive maintenance and repair course should be without Also by Tom Denton *Automobile Mechanical and Electrical Systems* ISBN 978 0 08 096945 9 *Advanced Automotive Fault Diagnosis Third Edition* ISBN 978 0 08 096955 8 *Automobile Quarterly*, 1995 **CONTROL SYSTEMS, ROBOTICS AND AUTOMATION - Volume** Heinz D. Unbehauen, 2009-10-11 This Encyclopedia of Control Systems Robotics and Automation is a component of the global Encyclopedia of Life Support Systems EOLSS which is an integrated compendium of twenty one Encyclopedias This 22 volume set contains 240 chapters each of size 5000 30000 words with perspectives applications and extensive illustrations It is the only publication of its kind carrying state of the art knowledge in the fields of Control Systems Robotics and Automation and is aimed by virtue of the several applications at the following five major target audiences University and College Students Educators Professional Practitioners Research Personnel and Policy Analysts Managers and Decision Makers and NGOs *Automotive Mechatronics: Operational and Practical Issues* B. T. Fijalkowski, 2010-11-25 This book presents operational and practical issues of automotive mechatronics with special emphasis on the heterogeneous automotive vehicle systems approach and is intended as a graduate text as well as a reference for scientists and engineers involved in the design of automotive mechatronic control systems As the complexity of automotive vehicles increases so does

the dearth of high competence multi disciplined automotive scientists and engineers This book provides a discussion into the type of mechatronic control systems found in modern vehicles and the skills required by automotive scientists and engineers working in this environment Divided into two volumes and five parts Automotive Mechatronics aims at improving automotive mechatronics education and emphasises the training of students experimental hands on abilities stimulating and promoting experience among high education institutes and produce more automotive mechatronics and automation engineers The main subject that are treated are VOLUME I RBW or XBW unibody or chassis motion mechatronic control hypersystems DBW AWD propulsion mechatronic control systems BBW AWB dispulsion mechatronic control systems VOLUME II SBW AWS diversion mechatronic control systems ABW AWA suspension mechatronic control systems This volume was developed for undergraduate and postgraduate students as well as for professionals involved in all disciplines related to the design or research and development of automotive vehicle dynamics powertrains brakes steering and shock absorbers dampers Basic knowledge of college mathematics college physics and knowledge of the functionality of automotive vehicle basic propulsion dispulsion conversion and suspension systems is required **Popular Science** ,2002-12 Popular Science gives our readers the information and tools to improve their technology and their world The core belief that Popular Science and our readers share The future is going to be better and science and technology are the driving forces that will help make it better

Popular Science ,2004-09 Popular Science gives our readers the information and tools to improve their technology and their world The core belief that Popular Science and our readers share The future is going to be better and science and technology are the driving forces that will help make it better **Kompakt-Wörterbuch KFZ-Technik** Ingo Stüben,2022-10-17 Dieses Wörterbuch dient zur Erleichterung der Arbeit für den Personenkreis der mit englischen bzw deutschen Fachausdrücken aus dem Bereich der KFZ Technik konfrontiert wird Falls nötig werden zu den einzelnen Begriffen Hintergrundinformationen Beispiele sowie umgangssprachliche Hinweise geliefert Als zusätzliche Informationsebene sind nach Gruppen aufgeteilte schematische Darstellungen integriert womit die Terminologie typischer Systeme erfasst und visualisiert ist Bei dem vorliegenden Nachschlagewerk mit seinen circa 40 000 Stichworteintragen handelt es sich nicht um ein Wörterbuch im üblichen Sinne sondern um ein weit darüber hinausgehendes lexikonähnliches Fachwörterbuch The purpose of this dictionary is to facilitate the work of persons who are confronted with English or German technical terms from the field of automotive engineering In cases where it is necessary background information examples and colloquial references are provided for the individual terms Additionally this book includes information on schematic representations and divides them into groups which means that it covers and visualizes terminology of typical systems This reference work with its approximately 40 000 keyword entries is not a dictionary in the usual sense but rather a technical dictionary that goes far beyond the scope of a lexicon *Road and Track* ,1988 Books In Print 2004-2005 Ed Bowker Staff,Staff Bowker, Ed,2004 *The Engineer* ,1902 **Engineered Materials Abstracts** ,1992-05 **Chilton's Auto Air Conditioning &**

**Wiring Diagram Manual** Chilton Book Company. Automotive Book Department,1971     *Automotive Wiring Diagrams*  
,1993     *Mercedes-Benz Repair and Tune-Up Guide* Motorbooks International,1987-08 Reprint of a Glenn s manual covering  
repairs to 180 190 200 219 220 230 250 300 and 600 models Includes performance and mechanical specs wiring diagrams  
and selected Road Track road tests Pub 1966     **Wiring Diagrams** ,2002     *Autodata Wiring Diagrams* AUTODATA.,1983  
Chilton's Professional Wiring Diagrams Manual Chilton Automotive Books,1988-06-01     *Model A Electricial Wiring*  
*Diagram for Cars WITHOUT Cowl Lamps* Doug A. McIntosh,1990-01-01     **Automobile Digest Wiring Diagram** ,1925

Uncover the mysteries within its enigmatic creation, Discover the Intrigue in **Mercedes Abs Wiring Diagram** . This downloadable ebook, shrouded in suspense, is available in a PDF format ( \*). Dive into a world of uncertainty and anticipation. Download now to unravel the secrets hidden within the pages.

<https://www.splashdogs.com/data/Resources/HomePages/ingersoll%20rand%20185%20cfm%20manual.pdf>

## **Table of Contents Mercedes Abs Wiring Diagram**

1. Understanding the eBook Mercedes Abs Wiring Diagram
  - The Rise of Digital Reading Mercedes Abs Wiring Diagram
  - Advantages of eBooks Over Traditional Books
2. Identifying Mercedes Abs Wiring Diagram
  - Exploring Different Genres
  - Considering Fiction vs. Non-Fiction
  - Determining Your Reading Goals
3. Choosing the Right eBook Platform
  - Popular eBook Platforms
  - Features to Look for in an Mercedes Abs Wiring Diagram
  - User-Friendly Interface
4. Exploring eBook Recommendations from Mercedes Abs Wiring Diagram
  - Personalized Recommendations
  - Mercedes Abs Wiring Diagram User Reviews and Ratings
  - Mercedes Abs Wiring Diagram and Bestseller Lists
5. Accessing Mercedes Abs Wiring Diagram Free and Paid eBooks
  - Mercedes Abs Wiring Diagram Public Domain eBooks
  - Mercedes Abs Wiring Diagram eBook Subscription Services
  - Mercedes Abs Wiring Diagram Budget-Friendly Options
6. Navigating Mercedes Abs Wiring Diagram eBook Formats

- ePub, PDF, MOBI, and More
  - Mercedes Abs Wiring Diagram Compatibility with Devices
  - Mercedes Abs Wiring Diagram Enhanced eBook Features
7. Enhancing Your Reading Experience
    - Adjustable Fonts and Text Sizes of Mercedes Abs Wiring Diagram
    - Highlighting and Note-Taking Mercedes Abs Wiring Diagram
    - Interactive Elements Mercedes Abs Wiring Diagram
  8. Staying Engaged with Mercedes Abs Wiring Diagram
    - Joining Online Reading Communities
    - Participating in Virtual Book Clubs
    - Following Authors and Publishers Mercedes Abs Wiring Diagram
  9. Balancing eBooks and Physical Books Mercedes Abs Wiring Diagram
    - Benefits of a Digital Library
    - Creating a Diverse Reading Collection Mercedes Abs Wiring Diagram
  10. Overcoming Reading Challenges
    - Dealing with Digital Eye Strain
    - Minimizing Distractions
    - Managing Screen Time
  11. Cultivating a Reading Routine Mercedes Abs Wiring Diagram
    - Setting Reading Goals Mercedes Abs Wiring Diagram
    - Carving Out Dedicated Reading Time
  12. Sourcing Reliable Information of Mercedes Abs Wiring Diagram
    - Fact-Checking eBook Content of Mercedes Abs Wiring Diagram
    - Distinguishing Credible Sources
  13. Promoting Lifelong Learning
    - Utilizing eBooks for Skill Development
    - Exploring Educational eBooks
  14. Embracing eBook Trends
    - Integration of Multimedia Elements
    - Interactive and Gamified eBooks

## **Mercedes Abs Wiring Diagram Introduction**

Mercedes Abs Wiring Diagram Offers over 60,000 free eBooks, including many classics that are in the public domain. Open Library: Provides access to over 1 million free eBooks, including classic literature and contemporary works. Mercedes Abs Wiring Diagram Offers a vast collection of books, some of which are available for free as PDF downloads, particularly older books in the public domain. Mercedes Abs Wiring Diagram : This website hosts a vast collection of scientific articles, books, and textbooks. While it operates in a legal gray area due to copyright issues, its a popular resource for finding various publications. Internet Archive for Mercedes Abs Wiring Diagram : Has an extensive collection of digital content, including books, articles, videos, and more. It has a massive library of free downloadable books. Free-eBooks Mercedes Abs Wiring Diagram Offers a diverse range of free eBooks across various genres. Mercedes Abs Wiring Diagram Focuses mainly on educational books, textbooks, and business books. It offers free PDF downloads for educational purposes. Mercedes Abs Wiring Diagram Provides a large selection of free eBooks in different genres, which are available for download in various formats, including PDF. Finding specific Mercedes Abs Wiring Diagram, especially related to Mercedes Abs Wiring Diagram, might be challenging as theyre often artistic creations rather than practical blueprints. However, you can explore the following steps to search for or create your own Online Searches: Look for websites, forums, or blogs dedicated to Mercedes Abs Wiring Diagram, Sometimes enthusiasts share their designs or concepts in PDF format. Books and Magazines Some Mercedes Abs Wiring Diagram books or magazines might include. Look for these in online stores or libraries. Remember that while Mercedes Abs Wiring Diagram, sharing copyrighted material without permission is not legal. Always ensure youre either creating your own or obtaining them from legitimate sources that allow sharing and downloading. Library Check if your local library offers eBook lending services. Many libraries have digital catalogs where you can borrow Mercedes Abs Wiring Diagram eBooks for free, including popular titles. Online Retailers: Websites like Amazon, Google Books, or Apple Books often sell eBooks. Sometimes, authors or publishers offer promotions or free periods for certain books. Authors Website Occasionally, authors provide excerpts or short stories for free on their websites. While this might not be the Mercedes Abs Wiring Diagram full book , it can give you a taste of the authors writing style. Subscription Services Platforms like Kindle Unlimited or Scribd offer subscription-based access to a wide range of Mercedes Abs Wiring Diagram eBooks, including some popular titles.

## **FAQs About Mercedes Abs Wiring Diagram Books**

How do I know which eBook platform is the best for me? Finding the best eBook platform depends on your reading preferences and device compatibility. Research different platforms, read user reviews, and explore their features before



making a choice. Are free eBooks of good quality? Yes, many reputable platforms offer high-quality free eBooks, including classics and public domain works. However, make sure to verify the source to ensure the eBook credibility. Can I read eBooks without an eReader? Absolutely! Most eBook platforms offer webbased readers or mobile apps that allow you to read eBooks on your computer, tablet, or smartphone. How do I avoid digital eye strain while reading eBooks? To prevent digital eye strain, take regular breaks, adjust the font size and background color, and ensure proper lighting while reading eBooks. What the advantage of interactive eBooks? Interactive eBooks incorporate multimedia elements, quizzes, and activities, enhancing the reader engagement and providing a more immersive learning experience. Mercedes Abs Wiring Diagram is one of the best book in our library for free trial. We provide copy of Mercedes Abs Wiring Diagram in digital format, so the resources that you find are reliable. There are also many Ebooks of related with Mercedes Abs Wiring Diagram. Where to download Mercedes Abs Wiring Diagram online for free? Are you looking for Mercedes Abs Wiring Diagram PDF? This is definitely going to save you time and cash in something you should think about. If you trying to find then search around for online. Without a doubt there are numerous these available and many of them have the freedom. However without doubt you receive whatever you purchase. An alternate way to get ideas is always to check another Mercedes Abs Wiring Diagram. This method for see exactly what may be included and adopt these ideas to your book. This site will almost certainly help you save time and effort, money and stress. If you are looking for free books then you really should consider finding to assist you try this. Several of Mercedes Abs Wiring Diagram are for sale to free while some are payable. If you arent sure if the books you would like to download works with for usage along with your computer, it is possible to download free trials. The free guides make it easy for someone to free access online library for download books to your device. You can get free download on free trial for lots of books categories. Our library is the biggest of these that have literally hundreds of thousands of different products categories represented. You will also see that there are specific sites catered to different product types or categories, brands or niches related with Mercedes Abs Wiring Diagram. So depending on what exactly you are searching, you will be able to choose e books to suit your own need. Need to access completely for Campbell Biology Seventh Edition book? Access Ebook without any digging. And by having access to our ebook online or by storing it on your computer, you have convenient answers with Mercedes Abs Wiring Diagram To get started finding Mercedes Abs Wiring Diagram, you are right to find our website which has a comprehensive collection of books online. Our library is the biggest of these that have literally hundreds of thousands of different products represented. You will also see that there are specific sites catered to different categories or niches related with Mercedes Abs Wiring Diagram So depending on what exactly you are searching, you will be able tochoose ebook to suit your own need. Thank you for reading Mercedes Abs Wiring Diagram. Maybe you have knowledge that, people have search numerous times for their favorite readings like this Mercedes Abs Wiring Diagram, but end up in harmful downloads. Rather than reading a good book with a cup of coffee in the afternoon, instead they juggled

with some harmful bugs inside their laptop. Mercedes Abs Wiring Diagram is available in our book collection an online access to it is set as public so you can download it instantly. Our digital library spans in multiple locations, allowing you to get the most less latency time to download any of our books like this one. Merely said, Mercedes Abs Wiring Diagram is universally compatible with any devices to read.

### **Find Mercedes Abs Wiring Diagram :**

~~ingersoll rand 185 cfm manual~~

~~innocence lost taboo erotica english edition~~

~~initial therapy session progress notes~~

~~install manual transmission into astro van~~

*install microsoft updates manually*

*installation intergraph pds guide*

~~inheritance of human traits worksheet reteaching skills~~

~~inspiring you unraveling you book english edition~~

~~innovation knitting machine instructions~~

~~inheriting the trade a northern family confronts~~

**ingersoll rand ts4n5 manual**

*insignia 50 inch lcd tv manual*

~~ingersoll rand insight icd manual~~

~~insruccion manual ruhmkorff induction coil~~

*insignia hddv hdmi manual*

### **Mercedes Abs Wiring Diagram :**

PALS Provider eCard and Online Exam | AHA - ShopCPR The Exam measures the mastery of cognitive knowledge gained from the PALS Course and is administered by the Instructor at the conclusion of the PALS Course. AHA PALS FINAL EXAM 2022 Flashcards A healthcare provider is performing a primary assessment of a child in respiratory distress. The provider documents increased work of breathing when which ... AHA PALS Exam Questions answered 2022.pdf View AHA PALS Exam Questions (answered) 2022.pdf from PSYCHOLOGY 444 at Chamberlain College of Nursing. AHA PALS Exam Questions & Answers Fall 2021/2022. AHA Pediatric Advanced Life Support (PALS) Practice Test ... PALS Study Guide 2020 Guidelines

PALS Written Exam. The ACLS Provider exam is 50 multiple-choice questions, with a required passing score is 84%. All AHA exams are now. "open resource" which ... Pals updated final exam answered Pals updated final exam and answer pals updated final exam (all questions answered) child being evaluated in the pediatric intensive care unit displays the. PALS Written Exam Version A | PDF PALS Written Exam Version A - Free download as PDF File (.pdf) or read online for free. Pediatric Advanced Life Support Written Exam Version A. I just took ... PALS Precourse Self-Assessment The PALS Precourse Self-Assessment is an online tool that evaluates a student's knowledge before the course to determine their proficiency and identify any need ... PALS Final exam PALS Final exam. Which one do we put an IO in? Extremities with slow capillary refill time. A 2-week-old infant presents with irritability and not feeding. PALS practice test library Prepare for AHA PALS Today! Full PALS access starting at \$19.95. Gain instant access to all of the practice tests, megacode scenarios, and knowledge base. Spiritual Fatherhood: Evagrius Ponticus on the ... - Goodreads Spiritual Fatherhood: Evagrius Ponticus on the ... - Goodreads Spiritual Fatherhood: Evagrius Ponticus on the Role of ... Spiritual fatherhood is popular, controversial, and misunderstood. For Evagrius Ponticus (AD 343-99) and the early fathers, nothing can be spiritual without ... Evagrius Ponticus on the Role of Spiritual Father - Gabriel ... He possesses a thorough knowledge of patristic literature, and is known worldwide for his writings on contemplative prayer. Two of his other studies on Evagrius ... Spiritual fatherhood : Evagrius Ponticus on the role of ... - IUCAT Title: Spiritual fatherhood : Evagrius Ponticus on the role of the spiritual father / Gabriel Bunge ; translated by Luis Joshua Salés. ; Format: Book ; Published ... Spiritual Fatherhood Evagrius - Not of This World Icons Spiritual Fatherhood. Evagrius Ponticus on the role of the Spiritual Father. By Gabriel Bunge. Softcover, 119 pages. Publisher: SVS Press, 2016. Evagrius Ponticus on the Role of the Spiritual Father Title, Spiritual Fatherhood: Evagrius Ponticus on the Role of the Spiritual Father ; Author, Gabriel Bunge ; Translated by, Luis Joshua Salés ; Publisher, St ... Evagrius Ponticus on the Role of Spiritual Father Synopsis: Spiritual fatherhood is popular, controversial, and misunderstood. For Evagrius Ponticus (AD 343-99) and the early fathers, nothing can be spiritual ... Author: BUNGE, GABRIEL Earthen Vessels: The Practice of Personal Prayer According to the Patristic Tradition · Spiritual Fatherhood: Evagrius Ponticus on the Role of Spiritual Father. Spiritual Fatherhood: Evagrius Ponticus on the Role of ... Spiritual Fatherhood: Evagrius Ponticus on the Role of Spiritual Father ; Quantity. 1 available ; Item Number. 134677559911 ; Narrative Type. Christian Books & ... Get PDF Spiritual Fatherhood: Evagrius Ponticus on the ... Stream Get PDF Spiritual Fatherhood: Evagrius Ponticus on the Role of Spiritual Father by Gabriel Bunge by Itsukihenryfatsaniube on desktop ... Campbell Biology: Concepts and Connections - 9th Edition Our resource for Campbell Biology: Concepts and Connections includes answers to chapter exercises, as well as detailed information to walk you through the ... Campbell Biology: Concepts & Connections 9th Edition ... Campbell Biology: Concepts & Connections 9th Edition Textbook Solutions | Chegg.com. We have solutions for your book! Campbell Biology: Concepts & Connections | 7th Edition By Verified Textbook Solutions. Need answers to Campbell Biology: Concepts &

Connections 7th Edition published by Pearson? Get help now with immediate access ... Campbell Biology: Concepts & Connections (9th Edition) Access all of the textbook solutions and explanations for Cain/Urry's Campbell Biology: Concepts & Connections (9th Edition). 02 test bank 2 - Wheatley biology test answer keys. Wheatley biology test answer keys. biology: concepts and connections, 7e (reece et al.) chapter the chemical basis of life questions the four most common. Test Bank and Solutions For Campbell Biology, Concepts ... Test Bank, Solutions Manual, Ebook for Campbell Biology, Concepts & Connections 10th Edition By Martha Taylor ; 9780136538820, 9780136539414, 0136539416, Test Bank For Campbell Biology Concepts Connections ... Test Bank for Campbell Biology Concepts Connections 9th Edition 9th ... O Level Biology Practice Questions And Answers: Ecology And Our Impact On The Ecosystem. Chapter 7 Campbell's Biology: Concepts and Connections, 7e (Reece et al.) Chapter 7 Photosynthesis: Using Light to Make Food. 7.1 Multiple-Choice Questions. 1) What is ... Campbell Biology Concepts And Connections Sep 18, 2023 — In a digital era where connections and knowledge reign supreme, the enchanting power of language has be much more apparent than ever. Active Reading Guide for CAMPBELL BIOLOGY Answer the following questions as you read modules 5.1-5.9: 1. Every cell ... How is this possible? ConnECTIng THE BIg IDEAs. Use your knowledge of the ...