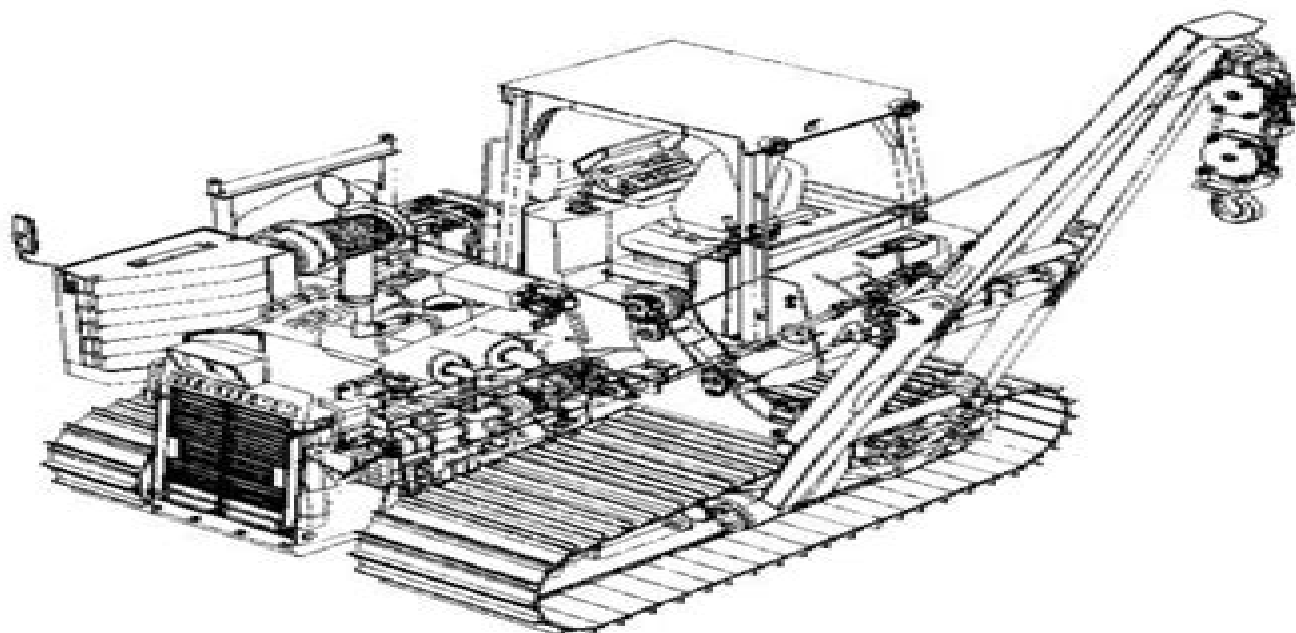


# BETRIEBS- UND WARTUNGSANLEITUNG

## RL 22B Litronic



# Liebherr Pr721c Crawler Dozer Operation Maintenance Manual

**M Mark**



**Liebherr Pr721c Crawler Dozer Operation Maintenance Manual:**

The Top Books of the Year Liebherr Pr721c Crawler Dozer Operation Maintenance Manual The year 2023 has witnessed a remarkable surge in literary brilliance, with numerous engrossing novels captivating the hearts of readers worldwide. Lets delve into the realm of popular books, exploring the engaging narratives that have captivated audiences this year. Liebherr Pr721c Crawler Dozer Operation Maintenance Manual : Colleen Hoover's "It Ends with Us" This touching tale of love, loss, and resilience has captivated readers with its raw and emotional exploration of domestic abuse. Hoover skillfully weaves a story of hope and healing, reminding us that even in the darkest of times, the human spirit can prevail. Liebherr Pr721c Crawler Dozer Operation Maintenance Manual : Taylor Jenkins Reids "The Seven Husbands of Evelyn Hugo" This captivating historical fiction novel unravels the life of Evelyn Hugo, a Hollywood icon who defies expectations and societal norms to pursue her dreams. Reids captivating storytelling and compelling characters transport readers to a bygone era, immersing them in a world of glamour, ambition, and self-discovery. Discover the Magic : Delia Owens "Where the Crawdads Sing" This captivating coming-of-age story follows Kya Clark, a young woman who grows up alone in the marshes of North Carolina. Owens weaves a tale of resilience, survival, and the transformative power of nature, captivating readers with its evocative prose and mesmerizing setting. These top-selling novels represent just a fraction of the literary treasures that have emerged in 2023. Whether you seek tales of romance, adventure, or personal growth, the world of literature offers an abundance of compelling stories waiting to be discovered. The novel begins with Richard Papen, a bright but troubled young man, arriving at Hampden College. Richard is immediately drawn to the group of students who call themselves the Classics Club. The club is led by Henry Winter, a brilliant and charismatic young man. Henry is obsessed with Greek mythology and philosophy, and he quickly draws Richard into his world. The other members of the Classics Club are equally as fascinating. Bunny Corcoran is a wealthy and spoiled young man who is always looking for a good time. Charles Tavis is a quiet and reserved young man who is deeply in love with Henry. Camilla Macaulay is a beautiful and intelligent young woman who is drawn to the power and danger of the Classics Club. The students are all deeply in love with Morrow, and they are willing to do anything to please him. Morrow is a complex and mysterious figure, and he seems to be manipulating the students for his own purposes. As the students become more involved with Morrow, they begin to commit increasingly dangerous acts. The Secret History is an exceptional and gripping novel that will keep you wondering until the very end. The novel is a warning tale about the dangers of obsession and the power of evil.

[https://www.splashdogs.com/files/book-search/HomePages/Geometry\\_Unit\\_Lesson\\_Exploring\\_Similarity\\_Key.pdf](https://www.splashdogs.com/files/book-search/HomePages/Geometry_Unit_Lesson_Exploring_Similarity_Key.pdf)

## **Table of Contents Liebherr Pr721c Crawler Dozer Operation Maintenance Manual**

1. Understanding the eBook Liebherr Pr721c Crawler Dozer Operation Maintenance Manual
  - The Rise of Digital Reading Liebherr Pr721c Crawler Dozer Operation Maintenance Manual
  - Advantages of eBooks Over Traditional Books
2. Identifying Liebherr Pr721c Crawler Dozer Operation Maintenance Manual
  - Exploring Different Genres
  - Considering Fiction vs. Non-Fiction
  - Determining Your Reading Goals
3. Choosing the Right eBook Platform
  - Popular eBook Platforms
  - Features to Look for in an Liebherr Pr721c Crawler Dozer Operation Maintenance Manual
  - User-Friendly Interface
4. Exploring eBook Recommendations from Liebherr Pr721c Crawler Dozer Operation Maintenance Manual
  - Personalized Recommendations
  - Liebherr Pr721c Crawler Dozer Operation Maintenance Manual User Reviews and Ratings
  - Liebherr Pr721c Crawler Dozer Operation Maintenance Manual and Bestseller Lists
5. Accessing Liebherr Pr721c Crawler Dozer Operation Maintenance Manual Free and Paid eBooks
  - Liebherr Pr721c Crawler Dozer Operation Maintenance Manual Public Domain eBooks
  - Liebherr Pr721c Crawler Dozer Operation Maintenance Manual eBook Subscription Services
  - Liebherr Pr721c Crawler Dozer Operation Maintenance Manual Budget-Friendly Options
6. Navigating Liebherr Pr721c Crawler Dozer Operation Maintenance Manual eBook Formats
  - ePub, PDF, MOBI, and More
  - Liebherr Pr721c Crawler Dozer Operation Maintenance Manual Compatibility with Devices
  - Liebherr Pr721c Crawler Dozer Operation Maintenance Manual Enhanced eBook Features
7. Enhancing Your Reading Experience
  - Adjustable Fonts and Text Sizes of Liebherr Pr721c Crawler Dozer Operation Maintenance Manual
  - Highlighting and Note-Taking Liebherr Pr721c Crawler Dozer Operation Maintenance Manual
  - Interactive Elements Liebherr Pr721c Crawler Dozer Operation Maintenance Manual
8. Staying Engaged with Liebherr Pr721c Crawler Dozer Operation Maintenance Manual

- Joining Online Reading Communities
  - Participating in Virtual Book Clubs
  - Following Authors and Publishers Liebherr Pr721c Crawler Dozer Operation Maintenance Manual
9. Balancing eBooks and Physical Books Liebherr Pr721c Crawler Dozer Operation Maintenance Manual
- Benefits of a Digital Library
  - Creating a Diverse Reading Collection Liebherr Pr721c Crawler Dozer Operation Maintenance Manual
10. Overcoming Reading Challenges
- Dealing with Digital Eye Strain
  - Minimizing Distractions
  - Managing Screen Time
11. Cultivating a Reading Routine Liebherr Pr721c Crawler Dozer Operation Maintenance Manual
- Setting Reading Goals Liebherr Pr721c Crawler Dozer Operation Maintenance Manual
  - Carving Out Dedicated Reading Time
12. Sourcing Reliable Information of Liebherr Pr721c Crawler Dozer Operation Maintenance Manual
- Fact-Checking eBook Content of Liebherr Pr721c Crawler Dozer Operation Maintenance Manual
  - Distinguishing Credible Sources
13. Promoting Lifelong Learning
- Utilizing eBooks for Skill Development
  - Exploring Educational eBooks
14. Embracing eBook Trends
- Integration of Multimedia Elements
  - Interactive and Gamified eBooks

### **Liebherr Pr721c Crawler Dozer Operation Maintenance Manual Introduction**

In this digital age, the convenience of accessing information at our fingertips has become a necessity. Whether its research papers, eBooks, or user manuals, PDF files have become the preferred format for sharing and reading documents. However, the cost associated with purchasing PDF files can sometimes be a barrier for many individuals and organizations. Thankfully, there are numerous websites and platforms that allow users to download free PDF files legally. In this article, we will explore some of the best platforms to download free PDFs. One of the most popular platforms to download free PDF files is Project Gutenberg. This online library offers over 60,000 free eBooks that are in the public domain. From classic literature to

historical documents, Project Gutenberg provides a wide range of PDF files that can be downloaded and enjoyed on various devices. The website is user-friendly and allows users to search for specific titles or browse through different categories. Another reliable platform for downloading Liebherr Pr721c Crawler Dozer Operation Maintenance Manual free PDF files is Open Library. With its vast collection of over 1 million eBooks, Open Library has something for every reader. The website offers a seamless experience by providing options to borrow or download PDF files. Users simply need to create a free account to access this treasure trove of knowledge. Open Library also allows users to contribute by uploading and sharing their own PDF files, making it a collaborative platform for book enthusiasts. For those interested in academic resources, there are websites dedicated to providing free PDFs of research papers and scientific articles. One such website is Academia.edu, which allows researchers and scholars to share their work with a global audience. Users can download PDF files of research papers, theses, and dissertations covering a wide range of subjects. Academia.edu also provides a platform for discussions and networking within the academic community. When it comes to downloading Liebherr Pr721c Crawler Dozer Operation Maintenance Manual free PDF files of magazines, brochures, and catalogs, Issuu is a popular choice. This digital publishing platform hosts a vast collection of publications from around the world. Users can search for specific titles or explore various categories and genres. Issuu offers a seamless reading experience with its user-friendly interface and allows users to download PDF files for offline reading. Apart from dedicated platforms, search engines also play a crucial role in finding free PDF files. Google, for instance, has an advanced search feature that allows users to filter results by file type. By specifying the file type as "PDF," users can find websites that offer free PDF downloads on a specific topic. While downloading Liebherr Pr721c Crawler Dozer Operation Maintenance Manual free PDF files is convenient, it's important to note that copyright laws must be respected. Always ensure that the PDF files you download are legally available for free. Many authors and publishers voluntarily provide free PDF versions of their work, but it's essential to be cautious and verify the authenticity of the source before downloading Liebherr Pr721c Crawler Dozer Operation Maintenance Manual. In conclusion, the internet offers numerous platforms and websites that allow users to download free PDF files legally. Whether it's classic literature, research papers, or magazines, there is something for everyone. The platforms mentioned in this article, such as Project Gutenberg, Open Library, Academia.edu, and Issuu, provide access to a vast collection of PDF files. However, users should always be cautious and verify the legality of the source before downloading Liebherr Pr721c Crawler Dozer Operation Maintenance Manual any PDF files. With these platforms, the world of PDF downloads is just a click away.

## **FAQs About Liebherr Pr721c Crawler Dozer Operation Maintenance Manual Books**

1. Where can I buy Liebherr Pr721c Crawler Dozer Operation Maintenance Manual books? Bookstores: Physical bookstores like Barnes & Noble, Waterstones, and independent local stores. Online Retailers: Amazon, Book Depository, and various online bookstores offer a wide range of books in physical and digital formats.
2. What are the different book formats available? Hardcover: Sturdy and durable, usually more expensive. Paperback: Cheaper, lighter, and more portable than hardcovers. E-books: Digital books available for e-readers like Kindle or software like Apple Books, Kindle, and Google Play Books.
3. How do I choose a Liebherr Pr721c Crawler Dozer Operation Maintenance Manual book to read? Genres: Consider the genre you enjoy (fiction, non-fiction, mystery, sci-fi, etc.). Recommendations: Ask friends, join book clubs, or explore online reviews and recommendations. Author: If you like a particular author, you might enjoy more of their work.
4. How do I take care of Liebherr Pr721c Crawler Dozer Operation Maintenance Manual books? Storage: Keep them away from direct sunlight and in a dry environment. Handling: Avoid folding pages, use bookmarks, and handle them with clean hands. Cleaning: Gently dust the covers and pages occasionally.
5. Can I borrow books without buying them? Public Libraries: Local libraries offer a wide range of books for borrowing. Book Swaps: Community book exchanges or online platforms where people exchange books.
6. How can I track my reading progress or manage my book collection? Book Tracking Apps: Goodreads, LibraryThing, and Book Catalogue are popular apps for tracking your reading progress and managing book collections. Spreadsheets: You can create your own spreadsheet to track books read, ratings, and other details.
7. What are Liebherr Pr721c Crawler Dozer Operation Maintenance Manual audiobooks, and where can I find them? Audiobooks: Audio recordings of books, perfect for listening while commuting or multitasking. Platforms: Audible, LibriVox, and Google Play Books offer a wide selection of audiobooks.
8. How do I support authors or the book industry? Buy Books: Purchase books from authors or independent bookstores. Reviews: Leave reviews on platforms like Goodreads or Amazon. Promotion: Share your favorite books on social media or recommend them to friends.
9. Are there book clubs or reading communities I can join? Local Clubs: Check for local book clubs in libraries or community centers. Online Communities: Platforms like Goodreads have virtual book clubs and discussion groups.
10. Can I read Liebherr Pr721c Crawler Dozer Operation Maintenance Manual books for free? Public Domain Books: Many classic books are available for free as they're in the public domain. Free E-books: Some websites offer free e-books legally, like Project Gutenberg or Open Library.



**Find Liebherr Pr721c Crawler Dozer Operation Maintenance Manual :**

*geometry unit lesson exploring similarity key*

**geometry houghton mifflin test 28 answers 7**

*geometry for enjoyment and challenge chapter 12*

*geometry end of the quarter benchmark answer key*

*geometry unit 11 test a answer key*

*geometry unit 2 practice answers springboard*

*geometry chapter test a answer key*

*geometry study guide for cst 2015 answers*

**geometry from euclid to knots solution manual**

*geometry hs mathematics tessccc circles*

**geometry chapter 1 test answers**

**geometry semester apex answers**

*geometry chapter 12 practice form k*

*geometry lesson 11 3 practice b answers*

**george orwell audio book**

**Liebherr Pr721c Crawler Dozer Operation Maintenance Manual :**

30 samples of character reference letters format guide - Nov 28 2022

web free templates unlock the power of character reference letters with our collection of free templates whether you re writing a letter for a job applicant a student or a personal reference our templates provide a solid foundation to help you structure your thoughts and convey the character traits and qualities of the individual

**how to write a recommendation letter for bar admittance** - Aug 26 2022

web dec 29 2018 a bar admission recommendation letter should provide an independent opinion of the applicant and show your familiarity with who he is as a person ultimately you are addressing the reasons why you believe the applicant is capable of representing the laws of his state

sample character reference letters - Dec 18 2021

web 389 character reference letter templates you can download and print for free we have tips on writing character references as well as example letters sample character reference letters for court employment school child care and

character reference letters for any personal and professional situation

[how to write a bar admittance recommendation letter](#) - Apr 02 2023

web oct 12 2018 the bar uses these letters of recommendation to evaluate the applicant s character and overall fitness and ability to practice law after you re asked to write a letter of recommendation supporting an applicant s admission to the state bar make sure you have as much information about the applicant as possible when writing your

[17 excellent character reference letter examples writing tips](#) - Oct 08 2023

web given below is a brief sample character reference letter format which can be written for an instructor of a daycare to whom it may concern i have known miss xyz for a period of 6 months and in this time she had been very supportive of my child

[character reference bar exam](#) - Jul 25 2022

web index of character reference letter examples div style display none img src pixel quantserve com pixel p 31iz6hffutd16 gif labels domain characterreferenceletters com domainid 190170 border 0 height 1 width 1 alt quantcast div

**sample character reference letter with template examples** - Feb 17 2022

web a character reference letter is a very significant letter which provides overview about the character of a particular person to an employment company or anyone else so that the concerned candidate can be considered for the job granting purpose this character reference letter is being used from a long time and in the present scenario its relevance

[bartender recommendation letter letter samples livecareer](#) - May 23 2022

web bartender recommendation letter want to use this letter customize this letter writing a letter of recommendation for a talented former co worker or employee can play a key role in the applicant s ability to land an interview with a preferred employer

**character reference letter what it is and examples** - Jun 04 2023

web jun 29 2021 here we explore what a personal reference is what should be included in this type of letter how to ask someone to write a letter of character on your behalf and a sample character letter you can use to guide you when writing your own

[character reference letter template and examples](#) - Jul 05 2023

web character reference letter template and examples a character reference letter provides an essential glimpse into the personality values and attributes of an individual typically crafted by those who have shared personal professional or academic relationships with the subject like friends family colleagues or even landlords this

[the ultimate guide to character reference letters monster com](#) - Mar 01 2023

web in this article you ll discover why you may need a character reference and who to ask for one then take a look at our

personal reference example and follow our tips on how to create one of your own if requested by a colleague or friend why you may need a character reference a character reference can be a valuable tool in your job

**character reference letter sample and tips indeed com** - Aug 06 2023

web jul 21 2023 sample character reference letters here are two examples of well composed character reference letters that highlight the candidate s best qualities with concrete examples while keeping the message brief and impactful dear hiring manager i have known manish patel for more than seven years

15 character reference letter examples realia project - Jan 19 2022

web you can always take references from sample character reference letter templates these templates are fit for any situation and by making a few simple changes you will be all ready to go here are a few examples of places where a

*how to write a recommendation letter for bar admittance* - Sep 07 2023

web the bar uses these letters of recommendation to evaluate the applicant s character and overall fitness and ability to practice law preparation after you re asked to write a letter of

**character reference letter sample and tips zippia** - Mar 21 2022

web jun 26 2023 whether you re about to ask for a character reference letter or you ve been asked to write one this article will provide the right context to provide a character reference what to include in the reference how to ask for a reference and character reference examples to help you write your own

*character reference letter example and writing tips the balance* - May 03 2023

web dec 3 2022 review sample reference letters and tips for writing and requesting character references what is a character reference a character reference also known as a personal reference is a letter written by someone who knows the candidate and can speak to their character and abilities

*writing a character reference full template prepscholar* - Apr 21 2022

web are you interested in professional letters of recommendation for jobs this guide contains a recommendation letter template to help you through the writing process ready to read some reference letter samples this article has nine free samples of recommendation letters including a character reference interested in recommendation letters for

*character reference letter 101 sample template included* - Jun 23 2022

web character reference letter 101 sample template included by mike simpson we are all familiar with the traditional reference letter often referred to as a letter of recommendation it is an employer s note of your professional conduct while not always in letter form providing professional references is a key component of any job application

*character reference letter sample the balance* - Nov 16 2021

web sep 17 2020 colleen tigue Â the balance also known as a personal reference a character reference is written by

someone who knows you well this might be a family friend a neighbor or someone you once volunteered with

**how to write a character reference letter with templates indeed** - Jan 31 2023

web a character reference letter also called a personal reference letter is a recommendation from someone who knows a job applicant well and can attest to their work ethic skills and moral character the character reference letter is similar to the formal reference letter that many employers write for their staff members upon departure from

**character reference letter sample and tips indeed** - Sep 26 2022

web dec 18 2022 sample character reference letter here is an example of a well composed character reference letter that highlights the candidate s best qualities with a concrete example while keeping the message brief and impactful to whom it may concern i have known manish patel for more than seven years

**character reference letter sample and tips indeed com canada** - Dec 30 2022

web nov 23 2022 sample character reference letter a carefully written character reference letter will demonstrate a candidate s strongest traits as they relate to the job on offer make sure you provide concrete examples of your interactions with the candidate and keep the letter brief here is an example of a well written reference letter to whom it may

**character reference example template advice guardian jobs** - Oct 28 2022

web jul 14 2020 a character reference should be written in letter format and include the following the reason for writing start the letter with a short sentence explaining why you re writing for example i am providing this character reference for emily reid who i would recommend for any role where teamwork and a positive attitude are required

*download pj mehta s practical medicine pdf oiipdf com* - May 22 2022

web pj mehta s practical medicine author pj mehta language english region format pdf pages 630 file size 69 5 mb total download 4314

**pj mehta s practical medicine pdf 69 47 mb pdf room** - Oct 07 2023

web feb 26 2021 2023 50 pages 26 06 mb pj mehta s practical medicine free pdf download pj mehta 630 pages year 2004 medicine read online pdf room

**pj mehta practical medicine book download now pdf scribd** - Jul 04 2023

web john le carré pj mehta practical medicine book 1 pdf free download as pdf file pdf text file txt or read online for free

[pj mehta s practical medicine z library](#) - Feb 28 2023

web pj mehta s practical medicine pj mehta 4 0 5 0 0 comments download pj mehta s practical medicine book for free from z library request code zlibio2198738 categories suggest category year 2022 edition 20 publisher national language english pages 630

*buy p j mehta s practical medicine 21st edition 2021 2022* - Apr 01 2023

web dec 20 2021 book online at low prices in india p j mehta s practical medicine 21st edition 2021 2022 paperback nihar p mehta sp mehta sr joshi dec 20 2021 reviews ratings amazon in books

[p j mehta s practical medicine pdf free download](#) - Sep 06 2023

web p j mehta s practical medicine pdf is one of the best book for quick review it is very good book to study a a day before your exam it can also cover your viva questions and will help you to score very high

**practical medicine by pj mehta 2022 esource svb** - Apr 20 2022

web mesmerism in india and its practical application in surgery and medicine textbook of biochemistry for medical students p

j mehta s practical medicine for student practitioners practical medicine by pj mehta downloaded from esource svb com by guest matthews beard surfactants in personal care products and decorative cosmetics

*amazon in p j mehta books* - Jul 24 2022

web jan 14 2023 amazon in p j mehta books 1 16 of 36 results results p j mehta s practical medicine 22nd ed 2023 english language by p j mehta nihar p mehta et al 14 january 2023 11 paperback 957 m r p 1 095 13 off get it by tomorrow 7 june free delivery by amazon more buying choices 904 16 new offers practical

*p j mehta practical medicine 22 edition pdf download pdf filler* - Oct 27 2022

web how to fill out p j mehta practical 01 first gather all the necessary materials required to complete the pj mehta practical this may include a computer internet access specific software and any additional resources mentioned in the instructions or syllabus 02 carefully read and understand the instructions provided for the pj mehta practical

**practical medicine 21ed pb 2018 mehta p j amazon in books** - Jan 30 2023

web j mehta s practical medicine 21st edition 2021 2022 paperback nihar p mehta sp mehta sr joshi dec 20 2021

**pdf practical medicine by pj mehta download free book** - Jun 22 2022

web here on this page we have provided the latest download link for practical medicine by pj mehta pdf please feel free to download it on your computer mobile for further reference you can go to pjmehta com

**practical medicine by pj mehta copy wrbb neu** - Feb 16 2022

web if you direct to download and install the practical medicine by pj mehta it is certainly easy then previously currently we extend the connect to buy and make bargains to download and install practical medicine by pj mehta in view of that simple practical medicine by pj mehta 2022 02 01

**pj mehta s practical medicine pdfdrive pdf lung scribd** - May 02 2023

web pj mehta s practical medicine pdfdrive copy free ebook download as pdf file pdf text file txt or read book online for free *practical medicine by pj mehta pdf ams istanbul edu* - Nov 27 2022

web practical medicine by pj mehta download practical medicine by pj mehta pdf pdf book pj mehta practical medicine

distnucalo free practical medicine by pj mehta pdf union eyego no pj mehta practical medicine book 18 pdf book manual free  
pj mehta practical medicine pdf dscoalition org pdf practical medicine pj mehta pdf

*p j mehta practical medicine* - Aug 05 2023

web p j mehta practical medicine in the year 1979 esteemed dr p j mehta published the first edition of practical medicine for students and practitioners the book has stood the test of time through over nearly 40 years and 20 earlier editions it is with great pride that we present the twenty first edition of p j mehta s practical medicine

[pj mehta clinical medicine semantic scholar](#) - Dec 29 2022

web practical medicine by pj mehta pdf download ebooks textbooks of medicine a detailed comparison desi medicos practical medicine of p j mehta pdf ebooks ebooktake in pj mehtas practical medicine torrent download free free download here pdfsdocuments2 com faq which book should i read for clinical medicine mbbs faq which book should i read

**download pj mehta s practical medicine pdf z library** - Jun 03 2023

web explore contact p me p j mehta s t i sp mehta sr joshi nihar p mehta 20 national contents part i clinical cases 1 history taking and symptomatology 1 weight loss 2 24 heart burns 5 2 weight gain 2 25 vomiting 6 3 anorexia 2 26 hematemesis 6 4 fever 2 27 constipation 6 5 chest pain 2 28

[pj mehta clinical medicine pdf ebook and manual free download](#) - Mar 20 2022

web download our pj mehta clinical medicine ebooks for free and learn more about pj mehta clinical medicine these books contain exercises and tutorials to improve your practical skills at all levels

*İstanbul tıp fakültesi dergisi dergipark* - Sep 25 2022

web faculty med aims to contribute to the literature by publishing manuscripts at the highest scientific level on all fields of medicine the journal publishes original experimental and clinical research articles reports of rare cases reviews articles by invited researchers who have a reputable place in the international literature

**journal of istanbul faculty of medicine information** - Aug 25 2022

web about journal of İstanbul faculty of medicine j ist faculty med is an international open access peer reviewed and scientific publication of İstanbul university İstanbul faculty of medicine it is published quarterly on january april july and october starting from march 2021 except for the articles in process the journal has

**solved chapter 5 problem 2p solution principles of** - Feb 26 2023

web ffmicroeconomics principles and applications 6th edition hall solutions manual chapter 2 scarcity choice and economic systems mastery goals

*test bank and solutions for microeconomics 6th* - Dec 27 2022

web principles of microeconomics 6th ed pdf by grace chu principles of microeconomics 6th edition n gregory mankiw isbn 13

978 0 538 45304 2 isbn 10 0 538 45304 4

*principles of microeconomics 6th edition textbook solutions* - Aug 03 2023

web unlike static pdf principles of microeconomics 6th edition solution manuals or printed answer keys our experts show you how to solve each problem step by step no need to

principles of microeconomics sixth edition pdf 5i1fpr7hu100 - Jun 20 2022

web amazon in buy principles of microeconomics 6th edition book aplia printed access card edition sticker book online at best prices in india on amazon in read

**microeconomics 6th edition macmillan learning us** - Mar 30 2023

web economics modern principles microeconomics request a sample or learn about ordering options for modern principles microeconomics 6th edition by tyler cowen

principles of microeconomics 6th ed pdf academia edu - Sep 23 2022

web sixth edition principles of microeconomics john b taylor akila weerapana houghton mifflin company boston new york executive publisher george hoffman

**principles of microeconomics available titles aplia 6th edition** - Dec 15 2021

principles of economics 6th edition solutions studysoup - Jul 22 2022

web microeconomics principles for a changing world request a sample or learn about ordering options for microeconomics principles for a changing world 6th edition by

chapter 2 solutions principles of microeconomics 6th edition - Apr 30 2023

web access principles of microeconomics 6th edition chapter 5 problem 2p solution now our solutions are written by chegg experts so you can be assured of the highest quality

**principles of microeconomics 6th edition book amazon in** - Feb 14 2022

microeconomics principles and applications 6th edition hall - May 20 2022

web unlike static pdf principles of microeconomics available titles aplia 6th edition solution manuals or printed answer keys our experts show you how to solve each

study guide for principles of microeconomics sixth - Mar 18 2022

**solutions manual for principles of microeconomics 6th** - Jan 16 2022

**principles of microeconomics 6th edition solutions and** - Oct 05 2023

web at quizlet we re giving you the tools you need to take on any subject without having to carry around solutions manuals or printing out pdfs now with expert verified solutions

microeconomics principles for a changing world 6th edition - Apr 18 2022

**principles of microeconomics solution manual chegg com** - Jun 01 2023

web principles of microeconomics 6th edition edit edition 90 241 ratings for this chapter s solutions solutions for chapter 2 get solutions looking for the textbook

**principles of economics 6th edition solutions and answers** - Sep 04 2023

web at quizlet we re giving you the tools you need to take on any subject without having to carry around solutions manuals or printing out pdfs now with expert verified

*microeconomics principles and applications 6th edition hall* - Nov 25 2022

web solution manual is the problems solution of each chapter end of the textbook organised in a single place so it helps a lot to the course

**principles of microeconomics 6th edition frank solutions manual 1** - Oct 25 2022

web need answers to principles of economics 6th edition published by cengage learning get help now with immediate access to step by step textbook answers solve your

modern principles microeconomics 6th edition macmillan - Jan 28 2023

web description solutions manual copyright all rights reserved available formats download as pdf txt or read online from scribd flag for inappropriate content

**principles of microeconomics 6th edition frank** - Jul 02 2023

web principles of microeconomics solutions manual get access now with get started select your edition below by 6th edition author robert frank 196 solutions available by 5th

*solution manual principles of microeconomics 6th edition by* - Aug 23 2022

web mar 15 2023 the chapter in a nutshell production possibilities frontiers ppfs are used to apply the principle of opportunity cost to society s choices and to demonstrate