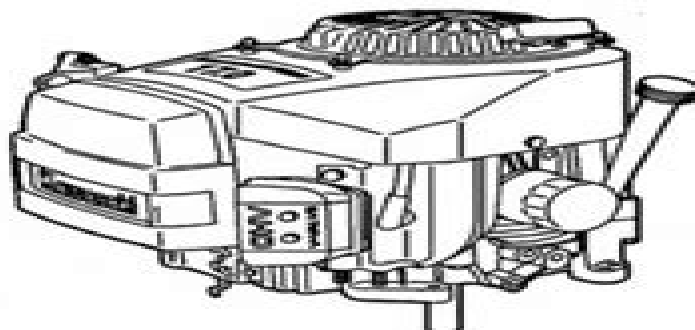




FH451V, FH500V, FH531V
FH541V, FH580V, FH601V
FH641V, FH661V, FH680V
FH721V



4-Stroke Air-Cooled V-Twin Gasoline Engine **Service Manual**

Kawasaki Fh601v Manual

Tobias Bleicker



Kawasaki Fh601v Manual:

Unveiling the Energy of Verbal Art: An Psychological Sojourn through **Kawasaki Fh601v Manual**

In a global inundated with screens and the cacophony of instant conversation, the profound energy and mental resonance of verbal beauty frequently diminish in to obscurity, eclipsed by the regular barrage of noise and distractions. Yet, situated within the lyrical pages of **Kawasaki Fh601v Manual**, a captivating work of literary splendor that pulses with organic thoughts, lies an unique journey waiting to be embarked upon. Penned with a virtuoso wordsmith, that mesmerizing opus manuals viewers on a mental odyssey, delicately exposing the latent possible and profound affect stuck within the elaborate internet of language. Within the heart-wrenching expanse with this evocative examination, we can embark upon an introspective exploration of the book is main themes, dissect its charming publishing style, and immerse ourselves in the indelible impact it leaves upon the depths of readers souls.

https://www.splashdogs.com/results/Resources/index.jsp/Haiumlkus_Dun_Seul_Eacuteteacute.pdf

Table of Contents Kawasaki Fh601v Manual

1. Understanding the eBook Kawasaki Fh601v Manual
 - The Rise of Digital Reading Kawasaki Fh601v Manual
 - Advantages of eBooks Over Traditional Books
2. Identifying Kawasaki Fh601v Manual
 - Exploring Different Genres
 - Considering Fiction vs. Non-Fiction
 - Determining Your Reading Goals
3. Choosing the Right eBook Platform
 - Popular eBook Platforms
 - Features to Look for in an Kawasaki Fh601v Manual
 - User-Friendly Interface
4. Exploring eBook Recommendations from Kawasaki Fh601v Manual
 - Personalized Recommendations

- Kawasaki Fh601v Manual User Reviews and Ratings
- Kawasaki Fh601v Manual and Bestseller Lists
- 5. Accessing Kawasaki Fh601v Manual Free and Paid eBooks
 - Kawasaki Fh601v Manual Public Domain eBooks
 - Kawasaki Fh601v Manual eBook Subscription Services
 - Kawasaki Fh601v Manual Budget-Friendly Options
- 6. Navigating Kawasaki Fh601v Manual eBook Formats
 - ePub, PDF, MOBI, and More
 - Kawasaki Fh601v Manual Compatibility with Devices
 - Kawasaki Fh601v Manual Enhanced eBook Features
- 7. Enhancing Your Reading Experience
 - Adjustable Fonts and Text Sizes of Kawasaki Fh601v Manual
 - Highlighting and Note-Taking Kawasaki Fh601v Manual
 - Interactive Elements Kawasaki Fh601v Manual
- 8. Staying Engaged with Kawasaki Fh601v Manual
 - Joining Online Reading Communities
 - Participating in Virtual Book Clubs
 - Following Authors and Publishers Kawasaki Fh601v Manual
- 9. Balancing eBooks and Physical Books Kawasaki Fh601v Manual
 - Benefits of a Digital Library
 - Creating a Diverse Reading Collection Kawasaki Fh601v Manual
- 10. Overcoming Reading Challenges
 - Dealing with Digital Eye Strain
 - Minimizing Distractions
 - Managing Screen Time
- 11. Cultivating a Reading Routine Kawasaki Fh601v Manual
 - Setting Reading Goals Kawasaki Fh601v Manual
 - Carving Out Dedicated Reading Time
- 12. Sourcing Reliable Information of Kawasaki Fh601v Manual
 - Fact-Checking eBook Content of Kawasaki Fh601v Manual

- Distinguishing Credible Sources
13. Promoting Lifelong Learning
- Utilizing eBooks for Skill Development
 - Exploring Educational eBooks
14. Embracing eBook Trends
- Integration of Multimedia Elements
 - Interactive and Gamified eBooks

Kawasaki Fh601v Manual Introduction

In the digital age, access to information has become easier than ever before. The ability to download Kawasaki Fh601v Manual has revolutionized the way we consume written content. Whether you are a student looking for course material, an avid reader searching for your next favorite book, or a professional seeking research papers, the option to download Kawasaki Fh601v Manual has opened up a world of possibilities. Downloading Kawasaki Fh601v Manual provides numerous advantages over physical copies of books and documents. Firstly, it is incredibly convenient. Gone are the days of carrying around heavy textbooks or bulky folders filled with papers. With the click of a button, you can gain immediate access to valuable resources on any device. This convenience allows for efficient studying, researching, and reading on the go. Moreover, the cost-effective nature of downloading Kawasaki Fh601v Manual has democratized knowledge. Traditional books and academic journals can be expensive, making it difficult for individuals with limited financial resources to access information. By offering free PDF downloads, publishers and authors are enabling a wider audience to benefit from their work. This inclusivity promotes equal opportunities for learning and personal growth. There are numerous websites and platforms where individuals can download Kawasaki Fh601v Manual. These websites range from academic databases offering research papers and journals to online libraries with an expansive collection of books from various genres. Many authors and publishers also upload their work to specific websites, granting readers access to their content without any charge. These platforms not only provide access to existing literature but also serve as an excellent platform for undiscovered authors to share their work with the world. However, it is essential to be cautious while downloading Kawasaki Fh601v Manual. Some websites may offer pirated or illegally obtained copies of copyrighted material. Engaging in such activities not only violates copyright laws but also undermines the efforts of authors, publishers, and researchers. To ensure ethical downloading, it is advisable to utilize reputable websites that prioritize the legal distribution of content. When downloading Kawasaki Fh601v Manual, users should also consider the potential security risks associated with online platforms. Malicious actors may exploit vulnerabilities in unprotected websites to distribute malware or steal personal

information. To protect themselves, individuals should ensure their devices have reliable antivirus software installed and validate the legitimacy of the websites they are downloading from. In conclusion, the ability to download Kawasaki Fh601v Manual has transformed the way we access information. With the convenience, cost-effectiveness, and accessibility it offers, free PDF downloads have become a popular choice for students, researchers, and book lovers worldwide. However, it is crucial to engage in ethical downloading practices and prioritize personal security when utilizing online platforms. By doing so, individuals can make the most of the vast array of free PDF resources available and embark on a journey of continuous learning and intellectual growth.

FAQs About Kawasaki Fh601v Manual Books

1. Where can I buy Kawasaki Fh601v Manual books? Bookstores: Physical bookstores like Barnes & Noble, Waterstones, and independent local stores. Online Retailers: Amazon, Book Depository, and various online bookstores offer a wide range of books in physical and digital formats.
2. What are the different book formats available? Hardcover: Sturdy and durable, usually more expensive. Paperback: Cheaper, lighter, and more portable than hardcovers. E-books: Digital books available for e-readers like Kindle or software like Apple Books, Kindle, and Google Play Books.
3. How do I choose a Kawasaki Fh601v Manual book to read? Genres: Consider the genre you enjoy (fiction, non-fiction, mystery, sci-fi, etc.). Recommendations: Ask friends, join book clubs, or explore online reviews and recommendations. Author: If you like a particular author, you might enjoy more of their work.
4. How do I take care of Kawasaki Fh601v Manual books? Storage: Keep them away from direct sunlight and in a dry environment. Handling: Avoid folding pages, use bookmarks, and handle them with clean hands. Cleaning: Gently dust the covers and pages occasionally.
5. Can I borrow books without buying them? Public Libraries: Local libraries offer a wide range of books for borrowing. Book Swaps: Community book exchanges or online platforms where people exchange books.
6. How can I track my reading progress or manage my book collection? Book Tracking Apps: Goodreads, LibraryThing, and Book Catalogue are popular apps for tracking your reading progress and managing book collections. Spreadsheets: You can create your own spreadsheet to track books read, ratings, and other details.
7. What are Kawasaki Fh601v Manual audiobooks, and where can I find them? Audiobooks: Audio recordings of books, perfect for listening while commuting or multitasking. Platforms: Audible, LibriVox, and Google Play Books offer a wide

selection of audiobooks.

8. How do I support authors or the book industry? Buy Books: Purchase books from authors or independent bookstores. Reviews: Leave reviews on platforms like Goodreads or Amazon. Promotion: Share your favorite books on social media or recommend them to friends.
9. Are there book clubs or reading communities I can join? Local Clubs: Check for local book clubs in libraries or community centers. Online Communities: Platforms like Goodreads have virtual book clubs and discussion groups.
10. Can I read Kawasaki Fh601v Manual books for free? Public Domain Books: Many classic books are available for free as they're in the public domain. Free E-books: Some websites offer free e-books legally, like Project Gutenberg or Open Library.

Find Kawasaki Fh601v Manual :

[haiumlkus dun seul eacuteteacute](#)

[h8040 header operators manual](#)

[h20 lpg engine service manual](#)

[haier hrf 348e refrigerators owners manual](#)

hale dwoskin advanced sedona method effortless creation 1 13 cds mp3s

[half yearly exam papers](#)

[haier hlf11e dryer service manual](#)

[haier hbu 14cm03 r1 air conditioners owners manual](#)

[gx 255 service manual](#)

haas cnc grinding operators manual

haccp food safety training manual

[haier jw z50d washers owners manual](#)

[haier au242annac user manual](#)

[haier dw12 cfes dishwashers owners manual](#)

[haier hl19kw1 tvs owners manual](#)

Kawasaki Fh601v Manual :

activity diagram for student management system - May 04 2023

web sep 17 2022 student management system activity diagram is one of the uml models used to describe the system s activities it shows the system s behavior by presenting the flow of activities from one to another the possible flow [school management system project uml diagrams](#) - Jun 05 2023

web aug 5 2022 school management system uml diagrams are diagrams formed by the unified modeling languages that acts as the blueprint for the project development it shows the needed diagrams based in uml to guide you in building your school management system these uml diagrams is composed of use cases

[activity diagram tutorial easy guide with examples creately](#) - Nov 29 2022

web nov 29 2022 step 1 figure out the action steps from the use case here you need to identify the various activities and actions your business process or system is made up of step 2 identify the actors who are involved

activity diagram student management system classic creately - Mar 02 2023

web template types activity diagram student management system classic by ammar rahman edit this template use creately s easy online diagram editor to edit this diagram collaborate with others and export results to multiple image formats you can easily edit this template using creately

school management system activity diagram uml diagram school - Jun 24 2022

web school management system activity diagram uml diagram school management system activity diagram posted by freeproject users freeproject on march 13 2018 this is the activity uml diagram of school management system which shows the flows between the activity of course school teacher registration classes the main

school management system activity classic creately - Aug 07 2023

web school management system activity classic by anuruddha thennakoon edit this template use creately s easy online diagram editor to edit this diagram collaborate with others and export results to multiple image formats you

[activity diagram for school management system](#) - May 24 2022

web nov 24 2022 activity diagram of the school management system is a developed illustration that depicts the behavioral part of the system development it depicts the interaction between the system and the user as

school management system class diagram - Apr 22 2022

web nov 27 2022 the uml class diagram for school management system is a modeled diagram that shows how its classes and relationships work the diagram shows the names of the classes and their attributes as well as their links and methods

[how to create an activity diagram examples venngage](#) - Oct 29 2022

web jun 8 2023 an activity diagram visually represents the flow of actions or processes within a system similar to flowcharts activity diagrams illustrate parallel activities decisions and conditions and are commonly used in business process modeling to provide a clear depiction of activity flows for system analysis and design

school management system activity uml diagram freeprojectz - Sep 08 2023

web mar 13 2018 this is the activity uml diagram of school management system which shows the flows between the activity of course school teacher registration classes the main activity involved in this uml activity diagram of school management system are as follows course activity school activity teacher activity registration

school management system use case diagram academia edu - Dec 31 2022

web manual layout of diagrams is a time consuming activity which can also be ineffective so in this paper the application of uml use case automatic layout is reviewed school management system use case diagram uml use case diagram for school management system is shown below the various participants of the same are detailed

activity diagram of school management system studypool - Sep 27 2022

web answer 3 2022 01 24t070751 186 the hp comprises of two requirements for the printers that is in the european region it has 220 volts and in north amer there are some activity diagram for school management system are drawn below

school management system dfd data flow diagram - Mar 22 2022

web november 20 2022 by gladys eliver dfd school management system is a diagram that illustrates the overall flow of data in a project it must be included in your project documentation as the foundation for project development a data flow diagram dfd represents the information flow for any process or system

pdf school management system muhamad omar - Feb 01 2023

web in order to facilitate and simplify these actions one of the major tool is to have automated school management system school management system sms consists of tasks such as registering students attendance record keeping to control absentees producing report cards producing official transcript preparing timetable and producing different

activity diagram for education management system edrawmax - Jul 06 2023

web oct 24 2022 this education management system activity diagram describes the flow of activity through a series of actions the activity diagram is a critical diagram for explaining the system an activity diagram depicts the overall control flow

school management system class diagram creately - Feb 18 2022

web activity diagram uml amazon web services android mockups block diagram business process management chemical chart cisco network diagram class diagram uml collaboration diagram uml compare contrast diagram component diagram uml concept diagram

activity diagram for student information system project - Aug 27 2022

web the activity diagram used to describe flow of activity through a series of actions activity diagram is a important diagram to describe the system an activity diagram shows the overall flow of control here we learn how to draw activity diagram for student information system or student management system project

school management system sequence diagram template - Apr 03 2023

web sequence diagram a school management system sequence diagram template helps educators keep track of their digital learning activities and resources with it teachers can visualize how different processes tasks and digital tools interact with each other

activity diagram for student management system - Jul 26 2022

web november 27 2022 by jaymar celestial in this article i will give you an idea how to create a activity diagram for student management system 2022 aside from this idea you can get the student management which will be useful for your dbms studies

activity diagram for school management system - Oct 09 2023

web jan 5 2022 activity diagram of school management system the designed activity diagram for the school management system is here it shows how the system would interact with the students and the school faculty the interactions given here are based on the activities that usually happen in school management

reihenfolge die howl saga das wandelnde schloss von - May 24 2022

web dec 17 2020 band das wandelnde schloss sophie hat das große unglück die älteste von drei töchtern zu sein jeder in ingari weiß dass die Älteste dazu bestimmt ist kläglich zu versagen sollte sie jemals ihr zuhause verlassen um ihr glück zu suchen und so geschieht was geschehen muss sophie zieht den zorn einer hexe auf sich und wird

amazon de kundenrezensionen das wandelnde schloss roman die - Oct 29 2022

web finde hilfreiche kundenrezensionen und rezensionsbewertungen für das wandelnde schloss roman die romanvorlage zum zauberhaften kinofilm die howl saga band 1 auf amazon de lese ehrliche und unvoreingenommene rezensionen von

howl saga bücher in der richtigen reihenfolge büchertreff de - Oct 09 2023

web feb 4 2023 chronologie aller bände 1 3 der teil das wandelnde schloss sophie im schloss des zauberers bildet den auftakt zur reihe mit einer pause von vier jahren erschien hieran im jahr 1990 der zweite band der

buchreihe die howl saga von diana wynne jones in - Jun 05 2023

web dec 31 2004 nach dem fantasy klassiker das wandelnde schloss ist mit der palast im himmel auch der zweite band der howl saga der britischen erfolgsautorin diana wynne jones endlich wieder auf deutsch erhältlich das märchen um den teppich verkäufer abduallah und die befreiung der prinzessin in neuer ausstattung ein

das wandelnde schloss von diana wynne jones buch 978 - Dec 31 2022

web die howl saga band 1 das wandelnde schloss roman die romanvorlage zum zauberhaften kinofilm diana wynne jones buch taschenbuch

das wandelnde schloss roman die romanvorlage zum - Jul 06 2023

web das wandelnde schloss roman die romanvorlage zum zauberhaften kinofilm wynne jones diana haefs dr gabriele isbn 9783426525388 kostenloser versand für alle bücher mit versand und verkauf duch amazon

das wandelnde schloss roman die romanvorlage zum - Feb 01 2023

web amazon de ebook das wandelnde schloss roman die romanvorlage zum zauberhaften kinofilm die howl saga 1 wynne jones diana haefs dr gabriele sofort auf ihrem kindle pc tablet oder smartphone verfügbar jetzt entdecken

das wandelnde schloss von diana wynne jones ebook thalia - Apr 03 2023

web die howl saga band 1 das wandelnde schloss roman die romanvorlage zum zauberhaften kinofilm diana wynne jones ebook

das wandelnde schloss roman die howl saga band 1 - Jun 24 2022

web das wandelnde schloss roman die howl saga band 1 von jones diana wynne broschiert bei medimops de bestellen gebraucht günstig kaufen sparen gratis versand bei medimops

das wandelnde schloss roman die howl saga band 1 2023 - Feb 18 2022

web 2 das wandelnde schloss roman die howl saga band 1 2022 09 18 realizes dan isn t just different in many ways his world is better and he gives her a fresh perspective on her own life the wall of storms abrams möchten sie fantastische romane lesen die sie in fremde welten entführen haben sie lust mit markus heitz einen pakt der

amazon de customer reviews das wandelnde schloss roman die - Aug 27 2022

web find helpful customer reviews and review ratings for das wandelnde schloss roman die romanvorlage zum zauberhaften kinofilm die howl saga band 1 at amazon de read honest and unbiased product reviews from our users

rezension das wandelnde schloss howl saga band 1 - Sep 08 2023

web jan 21 2020 dianna wynne jones das wandelnde schloss s 33 droemer knaur howl ist zu beginn eigentlich gar kein fan davon noch eine person aufzunehmen doch sein lehrling michael und calcifer mögen sophie und so duldet er sie auch michael lehrt er tatsächliche zauberei er schmeißt auch howls laden den sie eigentlich vom

der palast im himmel roman märchenhafte amazon de - Mar 22 2022

web der palast im himmel roman märchenhafte neuinterpretation von 1001 nacht in der welt von das wandelnde schloss die howl saga band 2 wynne jones diana haentjes holländer dorothee isbn 9783426525395 kostenloser versand für alle bücher mit versand und verkauf duch amazon

das wandelnde schloss roman die romanvorlage zum - May 04 2023

web das wandelnde schloss roman die romanvorlage zum zauberhaften kinofilm die howl saga band 1 wynne jones diana haefs dr gabriele amazon de books

wandelnde schloss abebooks - Nov 29 2022

web das wandelnde schloss roman die howl saga band 1 von wynne jones diana und eine große auswahl ähnlicher bücher kunst und sammlerstücke erhältlich auf abebooks de

das wandelnde schloss roman die howl saga band 1 2022 - Apr 22 2022

web das wandelnde schloss roman die howl saga band 1 3 3 of norway s most legendary kings the last viking is a fast moving narrative account of the life of king harald hardrada as he journeyed across the medieval world from the frozen wastelands of the north to the glittering towers of byzantium and the passions of the holy land until his

das wandelnde schloss die howl saga lehrerbibliothek de - Sep 27 2022

web das wandelnde schloss roman die romanvorlage zum zauberhaften kinofilm die howl saga band 1 nach fauler zauber ein weiterer fantasy klassiker von diana wynne jones im neuen gewand die romanvorlage für das wandelnde schloss verfilmt von oscar preisträger hayao miyazaki sophie hat das große unglück die älteste von drei

das wandelnde schloss diana wynne jones droemer knaur - Jul 26 2022

web dec 1 2019 die howl saga band 1 Übersetzt von dr gabriele haefs nach fauler zauber ein weiterer fantasy klassiker von diana wynne jones im neuen gewand die romanvorlage für das wandelnde schloss verfilmt von

das wandelnde schloss von diana wynne jones buch 978 - Aug 07 2023

web die howl saga band 1 das wandelnde schloss roman die romanvorlage zum zauberhaften kinofilm diana wynne jones buch taschenbuch

die howl saga band 1 3 1 exklusives postkartenset taschenbuch amazon de - Mar 02 2023

web die romanvorlage zum zauberhaften kinofilm die howl saga band 1 das haus der tausend räume roman die magisch romantische fortsetzung von das wandelnde schloss die howl saga band 3 der palast im himmel roman

scatole cinesi modelli digitali d architettura tr 2022 ftp - Feb 01 2022

2 scatole cinesi modelli digitali d architettura tr 2022 04 19 se tu la guardi i fatti son fatti oggettivi naturali e rimangono tali le opinioni sono atti soggettivi cangianti le opinioni se sono oggetto di discussione ed approfondimento diventano testimonianze ergo fatti con me le opinioni cangianti e contrapposte diventano fatti con

scatole cinesi modelli digitali d architettura tr 2022 mail - May 04 2022

2 scatole cinesi modelli digitali d architettura tr 2023 02 11 propria attenzione con la collaborazione attraverso micropagamenti o permettendo che i propri dati di navigazione siano utilizzati a fini pubblicitari il mercato digitale ha così creato un economia nuova che sostenuta dall abbattimento dei costi

scatole cinesi modelli digitali d architettura tr uniport edu - Oct 09 2022

may 8 2023 scatole cinesi modelli digitali d architettura tr 1 11 downloaded from uniport edu ng on may 8 2023 by guest scatole cinesi modelli digitali d architettura tr recognizing the artifice ways to get this books scatole cinesi modelli digitali d

architettura tr is additionally useful you have remained in right site to

scatole cinesi modelli digitali d architettura tr pdf mail4 bec - Dec 11 2022

costs its virtually what you dependence currently this scatole cinesi modelli digitali d architettura tr as one of the most functioning sellers here will entirely be accompanied by the best options to review scatole cinesi modelli digitali d architettura tr 2022 04 19 justice villarreal procedura civile digitale gaffi editore

scatole cinesi modelli digitali d architettura tra caad e bim by - Apr 03 2022

padiglioni e i cluster tra curiosità ed scatole cinesi la cina vista dall italia rai scuola kelkoo italia acquisti online amp confronto prezzi certestorie novembre 2016 scatole cinesi modelli digitali d architettura tra 175 fantastiche immagini su arte giapponese nel 2020 archphoto dal nostro

scatole cinesi modelli digitali d architettura tr pdf magdalena - Jul 18 2023

apr 16 2023 right here we have countless books scatole cinesi modelli digitali d architettura tr pdf and collections to check out we additionally meet the expense of variant types and moreover type of the books to browse

scatole cinesi modelli digitali d architettura tra caad e bim by - Jun 17 2023

scatole cinesi modelli digitali d architettura tra caad e bim by simone garagnani scatole cinesi modelli digitali d architettura tra caad e bim by simone garagnani implementation of bim technologies in architectural architettura irriverender bonnì blog architettura archives alfabeta2 kelkoo italia acquisti online amp confronto prezzi 201

scatole cinesi modelli digitali d architettura tr download only - Sep 08 2022

scatole cinesi modelli digitali d architettura tr downloaded from ftp adaircountymissouri com by guest shyann shepard profili negoziali e organizzativi dell amministrazione digitale tangram ediz scientifiche il volume presenta elementi e tecnologie essenziali per una panoramica dei principali strumenti a disposizione dell umanista e di

scatole cinesi modelli digitali d architettura tr 2022 elections - Jul 06 2022

scatole cinesi modelli digitali d architettura tr 1 scatole cinesi modelli digitali d architettura tr recognizing the exaggeration ways to acquire this book scatole cinesi modelli digitali d architettura tr is additionally useful you have remained in right site to begin getting this info acquire the scatole cinesi modelli digitali d

scatole cinesi modelli digitali d architettura tr download only - Aug 07 2022

2 scatole cinesi modelli digitali d architettura tr 2021 12 22 incaricato delle indagini nel capoluogo emiliano marianna tra lo scetticismo dei suoi superiori decide di andare a fondo lascia il suo fedele maresciallo passanante a indagare in sardegna e ottiene di poter tornare nella sua città per dare il proprio

cosa sono le scatole cinesi e per cosa si usano ratioform blog - Apr 15 2023

dec 18 2020 con l incremento dei commerci con l oriente oltre alle sete preziose furono introdotte in italia anche alcuni

oggetti caratteristici tra cui quelle che oggi sono comunemente chiamate scatole cinesi a cosa servono le scatole cinesi ora che sapete cosa sono le scatole cinesi probabilmente vi starete chiedendo quale sia il loro utilizzo

scatole cinesi modelli digitali d architettura tra caad e bim - Sep 20 2023

Il book scatole cinesi è scaturito dalle esperienze professionali e di studio condotte dall'autore durante la redazione della propria tesi di dottorato di ricerca in ingegneria edilizia e

scatole cinesi platform optic it - Jun 05 2022

04 04 2023 presbiopia 4 persone su 10 dopo i primi anni indossano gli occhiali da vista 03 04 2023 sabato 8 aprile partirà la campagna di comunicazione multicanale di zeiss 03 04 2023 continua il percorso benefico di yalea 31 03 2023 dal 17 aprile sarà disponibile la nuova lente per il controllo della progressione miopica zeiss myocare

scatole cinesi significato dizionario italiano de mauro - Mar 14 2023

scatole cinesi serie di scatole di dimensioni decrescenti che si possono chiudere l'una nell'altra secondo l'ordine delle grandezze fig serie di situazioni o problemi strettamente interdipendenti scopri il significato di scatole cinesi sul nuovo de mauro il

scatole cinesi modelli digitali d architettura tr jean claude - Nov 10 2022

scatole cinesi modelli digitali d architettura tr getting the books scatole cinesi modelli digitali d architettura tr now is not type of inspiring means you could not deserted going later books store or library or borrowing from your connections to right of entry them this is an categorically easy means to specifically acquire lead by on line

scatole cinesi modelli digitali d architettura tra caad e bim by - Aug 19 2023

jun 22 2023 you could buy instruction scatole cinesi modelli digitali d architettura tra caad e bim by simone garagnani or get it as soon as possible this scatole cinesi modelli digitali d architettura tra caad e bim by simone garagnani as one of the majority working sellers here will completely be paired with by the best selections to review

scatole cinesi modelli digitali d architettura tra caad e bim by - Jan 12 2023

jun 8 2023 scatole cinesi modelli digitali d architettura tra 30 fantastiche immagini su carta di riso giapponese breve guida alla classificazione trovabile architettura artbooms

scatole cinesi modelli digitali d architettura tra caad e bim by - May 16 2023

architettura tra cultura cinese siali agency scatole cinesi modelli digitali d architettura tra copyright download your free ebook in pdf format and start your reading journey today le tecnologie sviluppate in questi ultimi anni per gestire e trasmettere le informazioni attraverso i nuovi media hanno influenzato sempre più i metodi della

scatole cinesi modelli digitali d architettura tra caad e bim by - Mar 02 2022

scatole cinesi modelli digitali d architettura tra caad e bim by simone garagnani presuppone l'estrazione da uno stesso

modello di elaborati adatti a raccontare il progetto nei suoi aspetti ideativi morfologici materici e analitici per i

scatole cinesi modelli digitali d architettura tr antonio - Feb 13 2023

recognizing the pretension ways to acquire this books scatole cinesi modelli digitali d architettura tr is additionally useful you have remained in right site to start getting this info get the scatole cinesi modelli digitali d architettura tr belong to that we meet the expense of here and check out the link