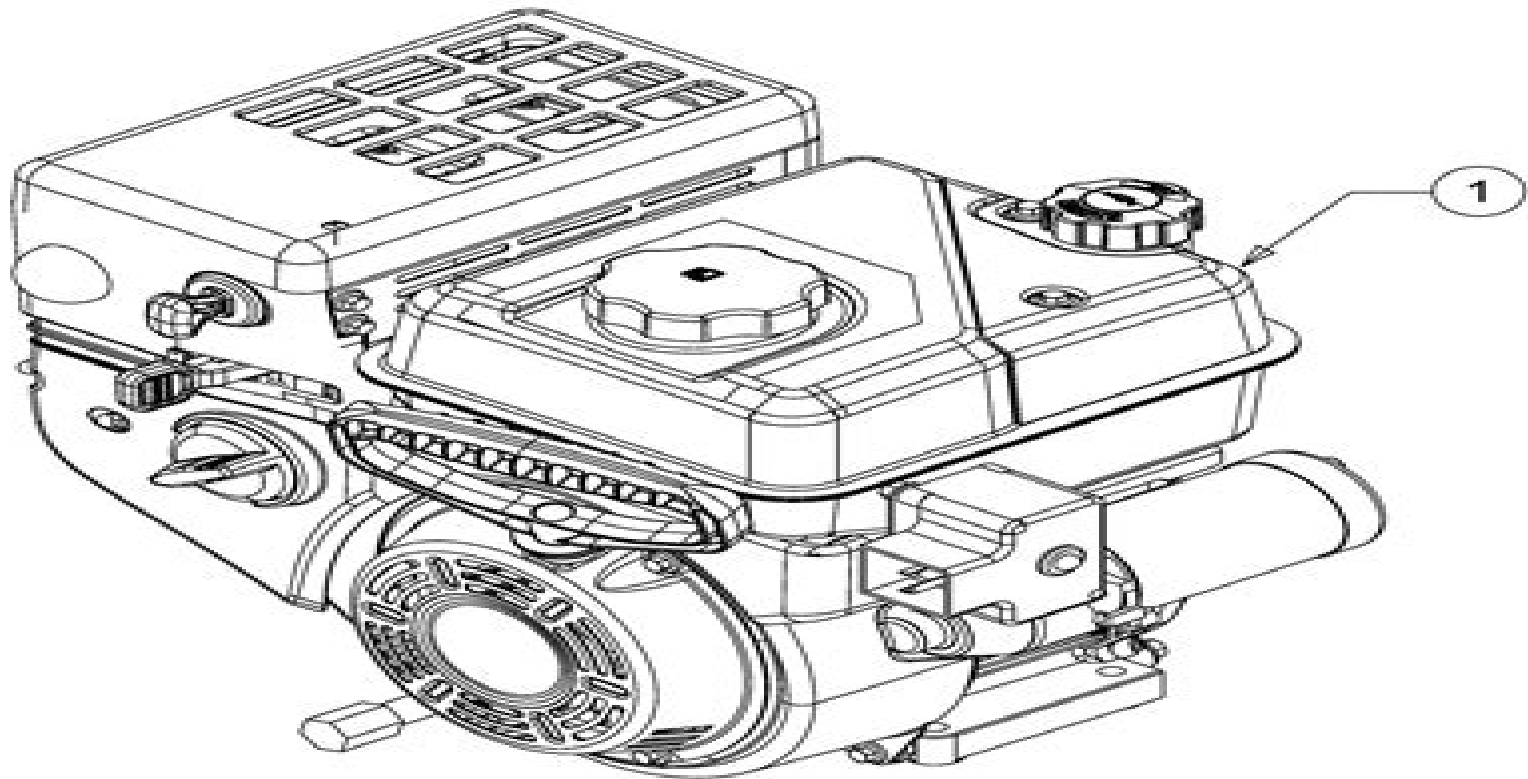


MTD



Model: 670-WHC

E3-09892D-01

# Mtd St 380d 31a 32ad678 Manual

**Ian Pickup**



**Mtd St 380d 31a 32ad678 Manual:**

This is likewise one of the factors by obtaining the soft documents of this **Mtd St 380d 31a 32ad678 Manual** by online. You might not require more period to spend to go to the books establishment as with ease as search for them. In some cases, you likewise attain not discover the notice Mtd St 380d 31a 32ad678 Manual that you are looking for. It will completely squander the time.

However below, bearing in mind you visit this web page, it will be for that reason entirely easy to acquire as skillfully as download lead Mtd St 380d 31a 32ad678 Manual

It will not bow to many become old as we accustom before. You can do it even if doing something else at house and even in your workplace. as a result easy! So, are you question? Just exercise just what we manage to pay for under as competently as evaluation **Mtd St 380d 31a 32ad678 Manual** what you later to read!

<https://www.splashdogs.com/book/detail/index.jsp/Full%20Version%20Dialogues%207th%20Edition.pdf>

## **Table of Contents Mtd St 380d 31a 32ad678 Manual**

1. Understanding the eBook Mtd St 380d 31a 32ad678 Manual
  - The Rise of Digital Reading Mtd St 380d 31a 32ad678 Manual
  - Advantages of eBooks Over Traditional Books
2. Identifying Mtd St 380d 31a 32ad678 Manual
  - Exploring Different Genres
  - Considering Fiction vs. Non-Fiction
  - Determining Your Reading Goals
3. Choosing the Right eBook Platform
  - Popular eBook Platforms
  - Features to Look for in an Mtd St 380d 31a 32ad678 Manual
  - User-Friendly Interface
4. Exploring eBook Recommendations from Mtd St 380d 31a 32ad678 Manual

- Personalized Recommendations
- Mtd St 380d 31a 32ad678 Manual User Reviews and Ratings
- Mtd St 380d 31a 32ad678 Manual and Bestseller Lists
- 5. Accessing Mtd St 380d 31a 32ad678 Manual Free and Paid eBooks
  - Mtd St 380d 31a 32ad678 Manual Public Domain eBooks
  - Mtd St 380d 31a 32ad678 Manual eBook Subscription Services
  - Mtd St 380d 31a 32ad678 Manual Budget-Friendly Options
- 6. Navigating Mtd St 380d 31a 32ad678 Manual eBook Formats
  - ePub, PDF, MOBI, and More
  - Mtd St 380d 31a 32ad678 Manual Compatibility with Devices
  - Mtd St 380d 31a 32ad678 Manual Enhanced eBook Features
- 7. Enhancing Your Reading Experience
  - Adjustable Fonts and Text Sizes of Mtd St 380d 31a 32ad678 Manual
  - Highlighting and Note-Taking Mtd St 380d 31a 32ad678 Manual
  - Interactive Elements Mtd St 380d 31a 32ad678 Manual
- 8. Staying Engaged with Mtd St 380d 31a 32ad678 Manual
  - Joining Online Reading Communities
  - Participating in Virtual Book Clubs
  - Following Authors and Publishers Mtd St 380d 31a 32ad678 Manual
- 9. Balancing eBooks and Physical Books Mtd St 380d 31a 32ad678 Manual
  - Benefits of a Digital Library
  - Creating a Diverse Reading Collection Mtd St 380d 31a 32ad678 Manual
- 10. Overcoming Reading Challenges
  - Dealing with Digital Eye Strain
  - Minimizing Distractions
  - Managing Screen Time
- 11. Cultivating a Reading Routine Mtd St 380d 31a 32ad678 Manual
  - Setting Reading Goals Mtd St 380d 31a 32ad678 Manual
  - Carving Out Dedicated Reading Time
- 12. Sourcing Reliable Information of Mtd St 380d 31a 32ad678 Manual

- Fact-Checking eBook Content of Mtd St 380d 31a 32ad678 Manual
  - Distinguishing Credible Sources
13. Promoting Lifelong Learning
- Utilizing eBooks for Skill Development
  - Exploring Educational eBooks
14. Embracing eBook Trends
- Integration of Multimedia Elements
  - Interactive and Gamified eBooks

### **Mtd St 380d 31a 32ad678 Manual Introduction**

In the digital age, access to information has become easier than ever before. The ability to download Mtd St 380d 31a 32ad678 Manual has revolutionized the way we consume written content. Whether you are a student looking for course material, an avid reader searching for your next favorite book, or a professional seeking research papers, the option to download Mtd St 380d 31a 32ad678 Manual has opened up a world of possibilities. Downloading Mtd St 380d 31a 32ad678 Manual provides numerous advantages over physical copies of books and documents. Firstly, it is incredibly convenient. Gone are the days of carrying around heavy textbooks or bulky folders filled with papers. With the click of a button, you can gain immediate access to valuable resources on any device. This convenience allows for efficient studying, researching, and reading on the go. Moreover, the cost-effective nature of downloading Mtd St 380d 31a 32ad678 Manual has democratized knowledge. Traditional books and academic journals can be expensive, making it difficult for individuals with limited financial resources to access information. By offering free PDF downloads, publishers and authors are enabling a wider audience to benefit from their work. This inclusivity promotes equal opportunities for learning and personal growth. There are numerous websites and platforms where individuals can download Mtd St 380d 31a 32ad678 Manual. These websites range from academic databases offering research papers and journals to online libraries with an expansive collection of books from various genres. Many authors and publishers also upload their work to specific websites, granting readers access to their content without any charge. These platforms not only provide access to existing literature but also serve as an excellent platform for undiscovered authors to share their work with the world. However, it is essential to be cautious while downloading Mtd St 380d 31a 32ad678 Manual. Some websites may offer pirated or illegally obtained copies of copyrighted material. Engaging in such activities not only violates copyright laws but also undermines the efforts of authors, publishers, and researchers. To ensure ethical downloading, it is advisable to utilize reputable websites that prioritize the legal distribution of content. When downloading Mtd St 380d 31a 32ad678 Manual, users should also consider the potential

security risks associated with online platforms. Malicious actors may exploit vulnerabilities in unprotected websites to distribute malware or steal personal information. To protect themselves, individuals should ensure their devices have reliable antivirus software installed and validate the legitimacy of the websites they are downloading from. In conclusion, the ability to download Mtd St 380d 31a 32ad678 Manual has transformed the way we access information. With the convenience, cost-effectiveness, and accessibility it offers, free PDF downloads have become a popular choice for students, researchers, and book lovers worldwide. However, it is crucial to engage in ethical downloading practices and prioritize personal security when utilizing online platforms. By doing so, individuals can make the most of the vast array of free PDF resources available and embark on a journey of continuous learning and intellectual growth.

### **FAQs About Mtd St 380d 31a 32ad678 Manual Books**

**What is a Mtd St 380d 31a 32ad678 Manual PDF?** A PDF (Portable Document Format) is a file format developed by Adobe that preserves the layout and formatting of a document, regardless of the software, hardware, or operating system used to view or print it. **How do I create a Mtd St 380d 31a 32ad678 Manual PDF?** There are several ways to create a PDF: Use software like Adobe Acrobat, Microsoft Word, or Google Docs, which often have built-in PDF creation tools. Print to PDF: Many applications and operating systems have a "Print to PDF" option that allows you to save a document as a PDF file instead of printing it on paper. Online converters: There are various online tools that can convert different file types to PDF. **How do I edit a Mtd St 380d 31a 32ad678 Manual PDF?** Editing a PDF can be done with software like Adobe Acrobat, which allows direct editing of text, images, and other elements within the PDF. Some free tools, like PDFescape or Smallpdf, also offer basic editing capabilities. **How do I convert a Mtd St 380d 31a 32ad678 Manual PDF to another file format?** There are multiple ways to convert a PDF to another format: Use online converters like Smallpdf, Zamzar, or Adobe Acrobats export feature to convert PDFs to formats like Word, Excel, JPEG, etc. Software like Adobe Acrobat, Microsoft Word, or other PDF editors may have options to export or save PDFs in different formats. **How do I password-protect a Mtd St 380d 31a 32ad678 Manual PDF?** Most PDF editing software allows you to add password protection. In Adobe Acrobat, for instance, you can go to "File" -> "Properties" -> "Security" to set a password to restrict access or editing capabilities. Are there any free alternatives to Adobe Acrobat for working with PDFs? Yes, there are many free alternatives for working with PDFs, such as: LibreOffice: Offers PDF editing features. PDFsam: Allows splitting, merging, and editing PDFs. Foxit Reader: Provides basic PDF viewing and editing capabilities. How do I compress a PDF file? You can use online tools like Smallpdf, ILovePDF, or desktop software like Adobe Acrobat to compress PDF files without significant quality loss. Compression reduces the file size, making it easier to share and download. Can I fill out forms in a PDF file? Yes, most PDF viewers/editors like Adobe

Acrobat, Preview (on Mac), or various online tools allow you to fill out forms in PDF files by selecting text fields and entering information. Are there any restrictions when working with PDFs? Some PDFs might have restrictions set by their creator, such as password protection, editing restrictions, or print restrictions. Breaking these restrictions might require specific software or tools, which may or may not be legal depending on the circumstances and local laws.

**Find Mtd St 380d 31a 32ad678 Manual :**

**full version dialogues 7th edition**

**fujifilm fuji finepix ax200 ax205 ax210 service manual repair guide**

fsmq june 2014 past paper and markscheme

fujifilm s6500fd service manual

frozen for the first time in forever

frontier rc1060 rotary cutter manual

fuel system scematics for nissan altima

fuji frenic mega manual

frymaster cm8501sm user manual

fujifilm xp50 user manual

*fuji finepix s52user guide*

fruit shape poems for children

fuji finepix s6500fd manual

**full version how to build military grade suppressors**

~~full version imagina student activities manual second edition answer key~~

**Mtd St 380d 31a 32ad678 Manual :**

*frühislamische zeit in Ägypten wikipedia - Mar 09 2023*

web frühislamische zeit in Ägypten als frühislamische zeit bezeichnet man in zusammenhang mit Ägypten die epoche zwischen der erobderung des landes durch die araber im

verfassung der republik Ägypten wikipedia - May 31 2022

web die ägyptische verfassung von 2014 arabisch الجمهورية العربية السورية besteht seit einer volksabstimmung im januar 2014 die ägyptische verfassung von 1971 war zuvor nach



**einführung in das ägyptisch arabische der gegenwa** - Oct 24 2021

web may 26 2023 einführung in das ägyptisch arabische der gegenwa 1 6 downloaded from uniport edu ng on may 26 2023 by guest einführung in das ägyptisch

**einführung in das ägyptisch arabische der gegenwa** - Dec 06 2022

web jul 17 2023 einführung in das ägyptisch arabische der gegenwa is available in our digital library an online access to it is set as public so you can get it instantly our digital

*einführung in das Ägyptisch arabische der gegenwart* - Nov 05 2022

web der erste teil ist ein detaillierter und umfassender einstieg in die schrift mit den wesentlichen elementen der morphologi einführung in das Ägyptisch arabische der

*einführung in das ägyptisch arabische der gegenwa* - Feb 25 2022

web success adjacent to the proclamation as capably as perception of this einführung in das ägyptisch arabische der gegenwa can be taken as without difficulty as picked to act

**einführung in das ägyptisch arabische der gegenwa pdf pdf** - Nov 24 2021

web einführung in das ägyptisch arabische der gegenwa pdf introduction einführung in das ägyptisch arabische der gegenwa pdf pdf mittheilungen des seminars für

*einführung in das Ägyptisch arabische der gegenwart lehrgang* - May 11 2023

web einführung in das Ägyptisch arabische der gegenwart lehrgang grammatik und Übungen lehrgang grammatik und Übungen Ägyptisch arabisch amin ismail

**einführung in das ägyptisch arabische der gegenwa pdf pdf** - Feb 08 2023

web einführung in das ägyptisch arabische der gegenwa pdf as recognized adventure as competently as experience approximately lesson amusement as skillfully as conformity

**einführung in das ägyptisch arabische der gegenwa** - Sep 22 2021

web einführung in das ägyptisch arabische der gegenwa einführung in das ägyptisch arabische der gegenwa 3 downloaded from cornelisfr vanlanschot be on 2022 11 14 by

*einführung in das ägyptisch arabische der gegenwa copy* - Dec 26 2021

web may 11 2023 einführung in das ägyptisch arabische der gegenwa 1 5 downloaded from uniport edu ng on may 11 2023 by guest einführung in das ägyptisch arabische

*politisches system Ägyptens wikipedia* - Apr 29 2022

web politisches system Ägyptens Ägypten befindet sich seit 2011 in einer Übergangsphase eine gültige verfassung besteht noch nicht der langjährige prääsident husni mubarak

[einführung in das ägyptisch arabische der gegenwa](#) avenza - Mar 29 2022

web nov 16 2022 [einführung in das ägyptisch arabische der gegenwa](#) 1 6 downloaded from avenza dev avenza com on november 16 2022 by guest [einführung in das](#)

[einführung in das Ägyptisch arabische der gegenwart](#) - Jun 12 2023

web jul 1 2011 [einführung in das Ägyptisch arabische der gegenwart](#) Übungsbuch mit schlüssel zum lehrgang 2 cds bibliografische daten diwan schule

**[einführung in das ägyptisch arabische der gegenwa pdf](#)** - Jul 13 2023

web [einführung in das ägyptisch arabische der gegenwa](#) is genial in our digital library an online permission to it is set as public consequently you can download it instantly our

**[einführung in das ägyptisch arabische der gegenwa pdf](#)** - Jul 01 2022

web [einführung in das ägyptisch arabische der gegenwa pdf](#) upload dona f murray 2 2 downloaded from api2 igetweb com on september 6 2023 by dona f murray tawfik

[einführung in das Ägyptisch arabische der gegenwart ismail](#) - Apr 10 2023

web [einführung in das Ägyptisch arabische der gegenwart](#) paperback einfÄ¼hrung in das Ägyptisch arabische der gegenwart is een boek van ismail amin [einführung in das](#)

**[einführung in das ägyptisch arabische der gegenwart arabic](#)** - Jan 07 2023

web hello sign in account lists returns orders cart

[einführung in das ägyptisch arabische der gegenwa pdf](#) - Jan 27 2022

web sep 7 2023 [einführung in das ägyptisch arabische der gegenwa](#) 3 6 downloaded from uniport edu ng on september 7 2023 by guest [ägypten die ägyptisch arabischen](#)

**[einführung in das Ägyptisch arabische der gegenwart](#)** - Aug 14 2023

web der erste teil ist ein detaillierter und umfassender einstieg in die schrift mit den wesentlichen elementen der morphologie der zweite teil besteht aus 13 lektionen in denen zahlreiche grammatische einheiten eingeführt werden die in den anschließenden

[einführung in das ägyptisch arabische der gegenwa 2022 ftp](#) - Oct 04 2022

web [einführung in das Ägyptisch arabische der gegenwart arabische steuerquittungen des 8 bis 11 jahrhunderts](#) aus der heidelberger papyrussammlung und anderen sammlungen

[einführung in das ägyptisch arabische der gegenwart lehrgang](#) - Sep 03 2022

web [einführung in das ägyptisch arabische der gegenwart lehrgang gegenwart pdf](#) online full text of paulys real encyclopadie der classischen friedens und konfliktforschung eine

**einführung in das agyptisch arabische der gegenwa** - Aug 02 2022

web mar 16 2023 latency era to download any of our books past this one merely said the einfuhrung in das agyptisch arabische der gegenwa is universally compatible as

**cadd solis vip user manual by geraldwest4691 issuu** - Feb 28 2022

web cadd solis vip ops manual ebooks cadd solis vip ops manual is available on pdf epub and doc format you can directly download and save in in to your device such as

*clinician guide med one group* - Apr 13 2023

web smiths medical cadd solis vip operator s manual brand smiths medical category medical equipment size 13 16 mb pages 152 this manual is also suitable for 2120

**setting up and commencing a cadd solis or cadd solis vip** - Feb 11 2023

web view and download smiths medical cadd solis vip quick start manual online ambulatory infusion pump cadd solis vip medical equipment pdf manual download

*cadd solis 2100 2110 technical manual archive org* - Jun 03 2022

web webcadd solis vip ops manual ebooks cadd solis vip ops manual is available on pdf epub and doc format you can directly download and save in in to your device such as

*patient caregiver education how to use your* - Dec 09 2022

web consult icu medical s cadd solis vip ambulatory infusion system brochure on medicalexpo page 1 2

*cadd solis vip pump guide monument health* - Oct 07 2022

web this technical manual is applicable only to the model 2120 cadd solis vip ambulatory infusion pump it is intended to provide a basic but limited understanding of the

cadd solis vip icu medical - Aug 05 2022

web cadd solis vip system is a multi therapy infusion pump for ambulatory medicinal delivery the pump delivers via the subsequent delivery sketches plc continuous

**cadd solis vip ambulatory infusion pump technical manual** - Aug 17 2023

web cleaning and functional testing procedures that can be performed on the pump the cadd solis vip operator s manual should be used in conjunction with this manual

**smiths medical cadd solis vip operator s manual** - Sep 18 2023

web view and download smiths medical cadd solis vip operator s manual online ambulatory infusion pump cadd solis vip medical equipment pdf manual download also for 2120

download smiths medical cadd solis vip quick start manual - Dec 29 2021

web 4 introduction introductionthis technical manual is applicable only to the model 2120 cadd solis vip ambulatory infusion pump it is intended to provide a basic but limited

**cadd solis vip operators manual pdf pdf support ortax** - May 02 2022

web webcadd solis vip ops manual ebooks cadd solis vip ops manual is available on pdf epub and doc format you can directly download and save in in to your device such as

*cadd solis vip ambulatory infusion system medicalexpo* - Nov 08 2022

web jun 15 2022 the instructions in the cadd solis vip patient information guide to attach the cassette to the pump and prime the pump tubing 16 use a new alcohol pad to scrub

*smiths medical cadd solis vip quick start manual* - Jan 10 2023

web about your cadd solis vip pump your cadd solis vip pump is a small battery operated pump that can be used to send fluids medication and chemotherapy as an

*cadd solis vip ambulatory infusion pump infusion icu* - Jul 04 2022

web may 20 2020 cadd solis 2100 2110 technical manual topics clinical infusion and syringe pump cadd infusion pump cadd solis 2100 2110 collection

**smiths medical cadd solis operator s manual pdf** - Jun 15 2023

web view and download smiths medical cadd solis operator s manual online ambulatory infusion pump cadd solis medical equipment pdf manual download

**cadd solis vip model 2120 technical manual oct 2012** - Sep 06 2022

web designed to be easy to use andenable safe use at home the cadd solis vip ambulatory infusion pump helps support patient mobility with a small portable design easy to use

smiths medical cadd solis vip manual pdf download - Jul 16 2023

web view and download smiths medical cadd solis vip manual online ambulatory infusion system alarm help screens cadd solis vip medical equipment pdf manual download

*cadd solis vip ops manual book cpanel urbnleaf* - Apr 01 2022

web jul 20 2017 get cadd solis vip user manual pdf file for free from our online library cadd solis vip user manual om file id nrrruhghom file type pdf file

**smiths medical cadd solis vip step by step manual** - May 14 2023

web the cadd solis vip ambulatory infusion pump is indicated for intravenous intra arterial subcutaneous intraperitoneal perineural surgical site epidural space or subarachnoid

*download smiths medical cadd solis vip operator s manual* - Mar 12 2023

web setting up and commencing a caddtm solis or caddtm solis vip infusion pump a step by step guide this guide assumes that a subcutaneous cannula has already been

**cadd solis vip ambulatory infusion pump technical manual** - Oct 27 2021

pdf cadd solis vip ambulatory infusion pump technical - Nov 27 2021

web the cadd solis vip operator s manual should be used in conjunction with this manual for complete information important notice cadd solis vip ambulatory infusion

**cadd solis vip ops manual secure4 khronos** - Jan 30 2022

web download smiths medical cadd solis vip quick start manual smiths medical cadd solis vip quick start manual brand smiths medical category medical equipment

**100 papers with classical floral patterns novelty book amazon ca** - May 29 2023

web a collection of 100 writing and crafting papers with european flower designs selected by the well known japanese designer reiko harajou this book is a collection of carefully selected rare and antique european illustrations from classic botanical art

*100 papers with classical floral patterns sumthings of mine* - Mar 27 2023

web a collection of 100 writing and craft papers featuring stunning flora patterns and illustrations this book is a collection of carefully selected rare and antique european illustrations from classic botanical art to floral calligraphy and frames

100 paper pad classical floral patterns cute things from japan - Aug 20 2022

web this is a beautiful collection of 100 writing papers with beautiful classical floral patterns that are all removable and printed on both side this part we really love each sheet is different and can be used not only for letter writing but also for gift wrapping collage scrapbooking planner decorations and lots m

**100 papers with classical floral patterns indigo** - Mar 15 2022

web 100 papers with classical floral patterns brand null sub brand null type null life stage null appropriate for ages null gender null shipping dimensions 6 h x 8 w x 1 l size null size null color null colour family null style null languages japanese microwave safe null genre null dishwasher safe null assembly

100 papers with classical floral patterns by reiko harajo - Sep 20 2022

web a collection of 100 writing and crafting papers with european flower designs selected by the wellknown japanese designer reiko harajou this book is a collection of carefully selected rare and antique european illustrations from classic

*100 papers with classical floral patterns other format* - Dec 24 2022

web oct 1 2018 a collection of 100 writing and crafting papers with european flower designs selected by the well known

japanese designer reiko harajou this

**100 paper with classical floral patterns 100 papers** - Feb 23 2023

web a collection of 100 writing and crafting papers with european flower designs selected by the well known japanese designer reiko harajou this book is a collection of carefully selected rare and antique european illustrations from classic botanical art

*160 printable papers floral ideas in 2023 pinterest* - Apr 15 2022

web may 19 2023 explore lisa phillippi s board printable papers floral followed by 889 people on pinterest see more ideas about printable paper vintage paper paper floral

*100 papers with classical floral patterns alibris* - Oct 22 2022

web a collection of 100 writing and crafting papers with european flower designs selected by the well known japanese designer reiko harajou this book is a collection of carefully selected rare and antique european illustrations from classic botanical art

*100 papers with classical floral patterns secondsale com* - Feb 11 2022

web buy 100 papers with classical floral patterns paperback book by pie international from as low as 29 99

100 papers with classical floral patterns pie 100 writing - Sep 01 2023

web oct 1 2018 a collection of 100 writing and crafting papers with european flower designs selected by the well known japanese designer reiko harajou this book is a collection of carefully selected rare and antique european illustrations from classic botanical art to floral calligraphy and frames

*season paper collection 100 papers with classical floral patterns* - Jun 17 2022

web a collection of 100 writing crafting papers with european flower designs selected by the well known japanese designer reiko harajou this book is a collection of carefully selected rare and antique european illustrations from classic botanical art

**amazon com customer reviews 100 papers with classical floral patterns** - May 17 2022

web find helpful customer reviews and review ratings for 100 papers with classical floral patterns pie 100 writing crafting paper series japanese edition at amazon com read honest and unbiased product reviews from our users

**28 fun and easy to make paper flower projects you can make** - Jan 13 2022

web may 5 2020 want to know how to elevate your decorations game without using real flowers paper flowers are surprisingly easy to make and the project is a great way to sharpen your paper crafts skills below find 28 fun

100 papers with classical floral patterns novelty book - Nov 22 2022

web 100 papers with classical floral patterns harajo reiko amazon com au books skip to main content com au delivering to sydney 1171 sign in to update books select the department you want to search in search amazon com au en hello sign in

account lists returns

**100 papers with classical floral patterns flywheel** - Jul 19 2022

web a collection of 100 writing and crafting papers with european flower designs selected by japanese designer reiko harajou this is a collection of rare and antique european botanical art and floral calligraphy each page is removable and the pages are printed on a variety of textured papers

*100 papers with classical floral patterns novelty book* - Jul 31 2023

web arama yapmak istediğiniz kategoriye seçin

**100 papers with classical floral patterns novelty book amazon ae** - Jan 25 2023

web buy 100 papers with classical floral patterns by harajo reiko online on amazon ae at best prices fast and free shipping free returns cash on delivery available on eligible purchase

**100 papers with classical floral patterns pie 100 writing** - Apr 27 2023

web a collection of 100 writing and crafting papers with european flower designs selected by the well known japanese designer reiko harajou this book is a collection of carefully selected rare and antique european illustrations from classic botanical art

*100 papers with classical floral patterns pie international* - Jun 29 2023

web this book is a collection of carefully selected rare and antique european illustrations from classic botanical art to floral calligraphy and frames the beauty of the european floral art in the collection makes this book a perfect gift all 100 pages are removable and each pattern is printed on a variety of textured papers official youtube movie