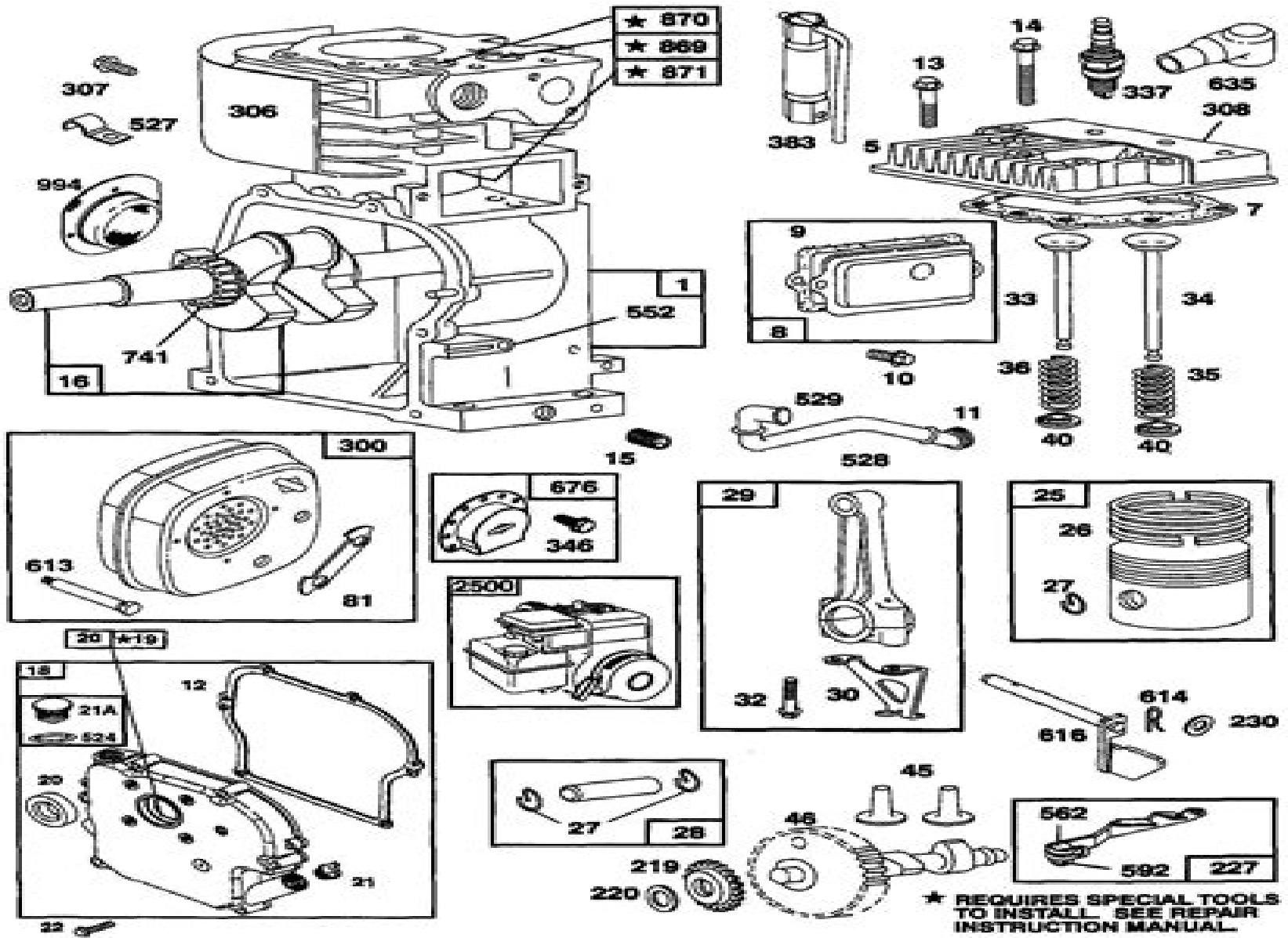


BRIGGS AND STRATTON ENGINE - MODEL NO. 137202-1117-E1



★ REQUIRES SPECIAL TOOLS TO INSTALL. SEE REPAIR INSTRUCTION MANUAL.

Manual For Briggs N Stratton 28v707 Engine

N Noddings



Manual For Briggs N Stratton 28v707 Engine:

Yeah, reviewing a book **Manual For Briggs N Stratton 28v707 Engine** could ensue your close associates listings. This is just one of the solutions for you to be successful. As understood, success does not recommend that you have wonderful points.

Comprehending as with ease as promise even more than extra will meet the expense of each success. neighboring to, the revelation as competently as acuteness of this Manual For Briggs N Stratton 28v707 Engine can be taken as skillfully as picked to act.

<https://www.splashdogs.com/public/scholarship/fetch.php/Grade%20Question%20Paper%20In%20Ihs%20Dubai.pdf>

Table of Contents Manual For Briggs N Stratton 28v707 Engine

1. Understanding the eBook Manual For Briggs N Stratton 28v707 Engine
 - The Rise of Digital Reading Manual For Briggs N Stratton 28v707 Engine
 - Advantages of eBooks Over Traditional Books
2. Identifying Manual For Briggs N Stratton 28v707 Engine
 - Exploring Different Genres
 - Considering Fiction vs. Non-Fiction
 - Determining Your Reading Goals
3. Choosing the Right eBook Platform
 - Popular eBook Platforms
 - Features to Look for in an Manual For Briggs N Stratton 28v707 Engine
 - User-Friendly Interface
4. Exploring eBook Recommendations from Manual For Briggs N Stratton 28v707 Engine
 - Personalized Recommendations
 - Manual For Briggs N Stratton 28v707 Engine User Reviews and Ratings
 - Manual For Briggs N Stratton 28v707 Engine and Bestseller Lists
5. Accessing Manual For Briggs N Stratton 28v707 Engine Free and Paid eBooks

- Manual For Briggs N Stratton 28v707 Engine Public Domain eBooks
 - Manual For Briggs N Stratton 28v707 Engine eBook Subscription Services
 - Manual For Briggs N Stratton 28v707 Engine Budget-Friendly Options
6. Navigating Manual For Briggs N Stratton 28v707 Engine eBook Formats
- ePub, PDF, MOBI, and More
 - Manual For Briggs N Stratton 28v707 Engine Compatibility with Devices
 - Manual For Briggs N Stratton 28v707 Engine Enhanced eBook Features
7. Enhancing Your Reading Experience
- Adjustable Fonts and Text Sizes of Manual For Briggs N Stratton 28v707 Engine
 - Highlighting and Note-Taking Manual For Briggs N Stratton 28v707 Engine
 - Interactive Elements Manual For Briggs N Stratton 28v707 Engine
8. Staying Engaged with Manual For Briggs N Stratton 28v707 Engine
- Joining Online Reading Communities
 - Participating in Virtual Book Clubs
 - Following Authors and Publishers Manual For Briggs N Stratton 28v707 Engine
9. Balancing eBooks and Physical Books Manual For Briggs N Stratton 28v707 Engine
- Benefits of a Digital Library
 - Creating a Diverse Reading Collection Manual For Briggs N Stratton 28v707 Engine
10. Overcoming Reading Challenges
- Dealing with Digital Eye Strain
 - Minimizing Distractions
 - Managing Screen Time
11. Cultivating a Reading Routine Manual For Briggs N Stratton 28v707 Engine
- Setting Reading Goals Manual For Briggs N Stratton 28v707 Engine
 - Carving Out Dedicated Reading Time
12. Sourcing Reliable Information of Manual For Briggs N Stratton 28v707 Engine
- Fact-Checking eBook Content of Manual For Briggs N Stratton 28v707 Engine
 - Distinguishing Credible Sources
13. Promoting Lifelong Learning
- Utilizing eBooks for Skill Development

- Exploring Educational eBooks

14. Embracing eBook Trends

- Integration of Multimedia Elements
- Interactive and Gamified eBooks

Manual For Briggs N Stratton 28v707 Engine Introduction

In the digital age, access to information has become easier than ever before. The ability to download Manual For Briggs N Stratton 28v707 Engine has revolutionized the way we consume written content. Whether you are a student looking for course material, an avid reader searching for your next favorite book, or a professional seeking research papers, the option to download Manual For Briggs N Stratton 28v707 Engine has opened up a world of possibilities. Downloading Manual For Briggs N Stratton 28v707 Engine provides numerous advantages over physical copies of books and documents. Firstly, it is incredibly convenient. Gone are the days of carrying around heavy textbooks or bulky folders filled with papers. With the click of a button, you can gain immediate access to valuable resources on any device. This convenience allows for efficient studying, researching, and reading on the go. Moreover, the cost-effective nature of downloading Manual For Briggs N Stratton 28v707 Engine has democratized knowledge. Traditional books and academic journals can be expensive, making it difficult for individuals with limited financial resources to access information. By offering free PDF downloads, publishers and authors are enabling a wider audience to benefit from their work. This inclusivity promotes equal opportunities for learning and personal growth. There are numerous websites and platforms where individuals can download Manual For Briggs N Stratton 28v707 Engine. These websites range from academic databases offering research papers and journals to online libraries with an expansive collection of books from various genres. Many authors and publishers also upload their work to specific websites, granting readers access to their content without any charge. These platforms not only provide access to existing literature but also serve as an excellent platform for undiscovered authors to share their work with the world. However, it is essential to be cautious while downloading Manual For Briggs N Stratton 28v707 Engine. Some websites may offer pirated or illegally obtained copies of copyrighted material. Engaging in such activities not only violates copyright laws but also undermines the efforts of authors, publishers, and researchers. To ensure ethical downloading, it is advisable to utilize reputable websites that prioritize the legal distribution of content. When downloading Manual For Briggs N Stratton 28v707 Engine, users should also consider the potential security risks associated with online platforms. Malicious actors may exploit vulnerabilities in unprotected websites to distribute malware or steal personal information. To protect themselves, individuals should ensure their devices have reliable antivirus software installed and validate the legitimacy of the websites they are downloading from. In conclusion, the ability to download Manual For Briggs N Stratton 28v707 Engine has

transformed the way we access information. With the convenience, cost-effectiveness, and accessibility it offers, free PDF downloads have become a popular choice for students, researchers, and book lovers worldwide. However, it is crucial to engage in ethical downloading practices and prioritize personal security when utilizing online platforms. By doing so, individuals can make the most of the vast array of free PDF resources available and embark on a journey of continuous learning and intellectual growth.

FAQs About Manual For Briggs N Stratton 28v707 Engine Books

How do I know which eBook platform is the best for me? Finding the best eBook platform depends on your reading preferences and device compatibility. Research different platforms, read user reviews, and explore their features before making a choice. Are free eBooks of good quality? Yes, many reputable platforms offer high-quality free eBooks, including classics and public domain works. However, make sure to verify the source to ensure the eBook credibility. Can I read eBooks without an eReader? Absolutely! Most eBook platforms offer web-based readers or mobile apps that allow you to read eBooks on your computer, tablet, or smartphone. How do I avoid digital eye strain while reading eBooks? To prevent digital eye strain, take regular breaks, adjust the font size and background color, and ensure proper lighting while reading eBooks. What the advantage of interactive eBooks? Interactive eBooks incorporate multimedia elements, quizzes, and activities, enhancing the reader engagement and providing a more immersive learning experience. Manual For Briggs N Stratton 28v707 Engine is one of the best book in our library for free trial. We provide copy of Manual For Briggs N Stratton 28v707 Engine in digital format, so the resources that you find are reliable. There are also many Ebooks of related with Manual For Briggs N Stratton 28v707 Engine. Where to download Manual For Briggs N Stratton 28v707 Engine online for free? Are you looking for Manual For Briggs N Stratton 28v707 Engine PDF? This is definitely going to save you time and cash in something you should think about.

Find Manual For Briggs N Stratton 28v707 Engine :

grade question paper in ihs dubai

grade siswati final exmination

grade9 capes english exam for november2014

grade12 formal experiment no2015

grade12 tourism june exam 2014

grade12 economics question paper 2014 june

~~grade12 sep accounting memorandum 2013~~

grade10 economics paper 1 memorandum 2014

grade12 exam paper 2014 03 18

grade8 e m s memorantam 13 12014

grade12 maths exam paper march 2014

~~grade11final exam history memos~~

grade11 life sciencesp2 end of year examination 2010

grade1caps economics paperfinal examination 2014

grade11 tourism november paper2014

Manual For Briggs N Stratton 28v707 Engine :

take off your glasses and see a mind body approach to - Dec 29 2022

web this revolutionary new look at vision will broaden your understanding of how you see and how y take off your glasses and see a mind body approach to expanding your eyesight and insight by jacob liberman goodreads

take off your glasses and see a mind body approach to expanding your - Jul 24 2022

web this revolutionary new look at vision will broaden your understanding of how you see and how you can see without your glasses or contact lenses nbsp nbsp nbsp nbsp take off your glasses and see shows you how to free yourself from the crutch of prescription lenses to build your self confidence and awareness and to open up your inner and

take off your glasses and see a mind body approach to expanding your - May 02 2023

web jun 21 2022 take off your glasses and see a mind body approach to expanding your eyesight and insight by liberman jacob 1947 publication date 1995 topics behavioral optometry vision ocular visual perception vision disorders therapy health behavior holistic health mind body relations metaphysical publisher

take your eyes off of idioms by the free dictionary - Feb 16 2022

web definition of take your eyes off of in the idioms dictionary take your eyes off of phrase what does take your eyes off of expression mean definitions by the largest idiom dictionary see also take eyes off not take one s eyes off someone or something not take your eyes off somebody something see something against something else

definition of take your eyes off something collins online - Apr 20 2022

web take your eyes off something definition when you take your eyes off the thing you have been watching or looking at you stop meaning pronunciation translations and examples

take off your glasses and see a mind body approach to expanding your - Jun 03 2023

web by removing lenses and practicing breath and movement awareness techniques to shift your perception you can reintegrate the original disruption in the mind body system dr liberman s approach can help you join the thousands who have escaped from the self defeating cycle of poor vision

amazon com customer reviews take off your glasses and see a mind - Aug 25 2022

web take off your glasses and see a mind body approach to expanding your customer reviews how customer reviews and ratings work positive reviews oxbow life changing read more read more 6 people found this helpful sign in to filter reviews 274 total ratings 106 with reviews from the united states oxbow life changing

take off your glasses and see on apple books - Jan 30 2023

web feb 28 1995 this revolutionary new look at vision will broaden your understanding of how you see and how you can see without your glasses or contact lenses take off your glasses and see shows you how to free yourself from the crutch of prescription lenses to build your self confidence and awareness and to open up your inner and outer vision in

take off your glasses and see a mind body approach to expanding your - Oct 27 2022

web buy take off your glasses and see a mind body approach to expanding your eyesight and insight online on amazon eg at best prices fast and free shipping free returns cash on delivery available on eligible purchase

take off your glasses and see a mind body approach to expanding your - Oct 07 2023

web nov 14 1995 take off your glasses and see a mind body approach to expanding your eyesight and insight liberman jacob on amazon com free shipping on qualifying offers

take off your glasses and see google books - Jul 04 2023

web jun 22 2011 take off your glasses and see a mind body approach to expanding your eyesight and insight jacob liberman harmony rodale jun 22 2011 health fitness 288 pages this revolutionary

take off your glasses and see a mind body approach to expanding your - May 22 2022

web książka take off your glasses and see a mind body approach to expanding your eyesight and insight autorstwa liberman jacob dostępna w sklepie empik com w cenie 74 74 zł przeczytaj recenzję take off your glasses and see a mind body approach to expanding your eyesight and insight zamów dostawę do dowolnego salonu i zapłać

take off your glasses and see a mind body approach to - Sep 06 2023

web feb 28 1995 by removing lenses and practicing breath and movement awareness techniques to shift your perception you can reintegrate the original disruption in the mind body system dr liberman s approach can help you join the thousands who have escaped from the self defeating cycle of poor vision

take off your glasses and see a mind body approach to expanding your - Aug 05 2023

web buy take off your glasses and see a mind body approach to expanding your eyesight and insight reissue by liberman jacob isbn 9780517886045 from amazon s book store everyday low prices and free delivery on eligible orders

take off your glasses and see a mind body approach to - Sep 25 2022

web take off your glasses and see a mind body approach to expanding your eyesight and insight by liberman jacob at abebooks co uk isbn 10 0517886049 isbn 13 9780517886045 crown publications 1995 softcover

take eyes off idioms by the free dictionary - Mar 20 2022

web definition of take eyes off in the idioms dictionary take eyes off phrase what does take eyes off expression mean definitions by the largest idiom dictionary

download take off your glasses and see a mind body approach - Jun 22 2022

web jun 22 2011 take off your glasses and see a mind body approach to expanding your eyesight and insight author jacob liberman publisher random house publishing group category body mind spirit released date 2011 06 22 language english format epub pages 374 total downloads 259 total views 479 rating

take off your glasses and see a mind body approach to expanding your - Feb 28 2023

web nov 14 1995 this revolutionary new look at vision will broaden your understanding of how you see and how you can see without your glasses or contact lenses take off your glasses and see shows you how to free yourself from the crutch of prescription lenses to build your self confidence and awareness and to open up your inner and outer vision in

take off your glasses and see a mind body approach to - Apr 01 2023

web by removing lenses and practicing breath and movement awareness techniques to shift your perception you can reintegrate the original disruption in the mind body system

take off your glasses and see a mind body approach to expanding your - Nov 27 2022

web take off your glasses and see a mind body approach to expanding your eyesight and insight ebook liberman jacob israel amazon com au kindle store

astm a27 cast carbon steel makeitfrom com - Mar 19 2023

web may 30 2020 fatigue strength 170 to 230 mpa 25 to 33 x 103 psi poisson s ratio 0 29 reduction in area 34 to 40 shear modulus 73 gpa 11 x 106 psi tensile strength ultimate uts 460 to 550 mpa 67 to 80 x 103 psi tensile strength yield proof 230 to 310 mpa 33 to 45 x 103 psi thermal properties latent heat of fusion 250 j g maximum

section 962 structural steel and miscellaneous metal items other than - Oct 14 2022

web hardness of 89 hrb or a minimum brinell hardness of 180 hb use nuts meeting the requirements of astm a194 only when approved by the engineer washers astm f436 and astm a325 subsection 3 3 use washers meeting the requirements of astm f844 only when approved by the engineer identifying marks in accordance with astm a325

alloy selection chart rlm castings - Apr 20 2023

web hardness range low alloy carbon steel 1020 sae ams22141a annealed 60 40 35 1020 astm a732 gr 1a annealed 60 40 24 1025 astm a27 65 35 annealed 65 35 24 35 1030 astm a27 65 35 annealed 65 35 24 35 1030 sae ams22141a annealed 65 45 25 rb 75 max 1030 sae ams22141a hardened 85 60 10

steel castings technical data carbon low - Sep 13 2022

web alloy astm specification c si mn ni cr mo other charpy v notch ft lb tensile strength yield strength elongation reduction of area british standard german ft lb ksi a27 n 1 0 25 0 80 0 75 a27 n 2 0 35 0 80 0 60 a27 u 60 30 0 25 0 80 0 75 60 30 22 30 a27 60 30 0 30 0 80 0 60 60 30 24 35 1020 a27 65 35 0 30 0 80 0 70 65 35

astm a27 properties chem mech rankings 2022 materials - May 21 2023

web sep 15 2020 what is astm a27 astm a27 is a specification for steel castings carbon for general application category steel castings scope this specification covers carbon steel castings for general applications that require up to 70 ksi 485 mpa minimum tensile strength ok let s start with astm a27 chemical composition chemical

casting material carbon steel a27 gr 70 40 - Jul 23 2023

web astm a27 a27m 17 standard specification for steel castings carbon for general application grade 70 40 485 275 j02501 casting chemical requirements and mechanical property

carbon steel a27 gr 70 36 sand casting investment casting - Apr 08 2022

web dec 1 2018 carbon steel a27 gr 70 36 grade 70 36 485 250 uns code j03501 is covered by astm a27 standard it s a good carbon steel for casting purpose astm a27 a27m 17 standard specification for steel castings carbon for general application *astm a27 grade 70 40 485 275 j02501 cast carbon steel* - Jan 17 2023

web may 30 2020 mechanical properties elastic young s tensile modulus 190 gpa 27 x 106 psi elongation at break 25 fatigue strength 230 mpa 33 x 103 psi poisson s ratio 0 29 reduction in area 34 shear modulus 73 gpa 11 x 106 psi tensile strength ultimate uts 540 mpa 79 x 103 psi tensile strength yield proof 310 mpa 45 x 103 psi

astm a27 a27m steel grade a comprehensive guide to its - Jun 10 2022

web sep 2 2023 these properties include tensile strength yield strength elongation and hardness the specific mechanical properties requirements for each grade can be found in the standard applications astm a27 a27m steel grades are commonly used in various general purpose applications that require the use of carbon steel castings

[a27 65 35 sa27 65 35 uns j03001 carbon steel alloy](#) - Aug 12 2022

web astm a27 65 35 carbon steel classified in astm under a27 for steel castings carbon for general application uns j03001

[carbon steel a27 gr 60 30 castingquality.com](#) - Jan 05 2022

web material data sheet qingdao casting quality industrial co ltd casting material carbon steel a27 gr 60 30 grade 60 30 415

205 uns code j03000 is covered by astm a27 standard it s a good carbon steel for casting purpose astm a27 a27m 17 standard specification for steel castings carbon for general application

[a27 70 40 sa27 70 40 uns j02501 carbon steel alloy](#) - Nov 15 2022

web astm a27 70 40 a carbon steel classified in astm under a27 for steel castings carbon for general application uns j02501

lower alloyed carbon steels the eagle group - Mar 07 2022

web astm a27 astm a148 astm a216 astm a217 astm a297 astm a351 astm a352 astm a356 astm a487 astm a494 astm a743 patterns usually made of cast iron or steel very durable uses resin coated sand that bonds when applied to preheated pattern tolerances 030 inch surface finish 200 250 rms good letter detail dimensional

60 30 steel properties composition astm a27 badger alloys - Feb 18 2023

web hardness brinell 0 00 0 00 note 60 30 steel astm a27 properties composition low alloy carbon steel find out if this alloy is right for your sand casting needs

astm a27 steel metal casting resources reliance foundry - Aug 24 2023

web jun 27 2023 learn how to select the right grade and class of astm a27 steel for your casting project each grade varies based on chemical composition and type of heat treating needed to affect changes in mechanical properties find out the differences between testing steel for tensile strength vs hardness

[astm a27 a27m 03 standard specification for steel castings](#) - Jul 11 2022

web aug 21 2009 astm a27 a27m standard specification for steel casting grade n 1 grade n 2 grade u 60 30 415 205 grade 60 30 415 205 grade 65 35 450 240 grade 70 36 485 250 and grade 70 40 485 275 home

a27 a27m standard specification for steel castings astm - Jun 22 2023

web may 6 2020 scope 1 1 this specification covers carbon steel castings for general applications that require up to 70 ksi 485 mpa minimum tensile strength note 1 the grades covered by this specification represent materials that are suitable for assembly with other steel castings or wrought steel parts by fusion welding

[astm a27 70 36 steel composition properties badger alloys](#) - Dec 16 2022

web hardness brinell 0 00 0 00 note astm a27 70 36 cast steel uns j03501 low alloy carbon steel find out if this alloy is right for your metal casting needs

[astm a27 grade 70 40 485 275 astm a27 a27m bbn](#) - Feb 06 2022

web astm a27 grade 70 40 485 275 astm a27 a27m chemical carbon silicon manganese phosphorus sulfur are the main basic elements in astm a27 grade 70 40 485 275 astm a27 a27m carbon is the most important hardening element in steel silicon helps to strengthen the strength

[astm a27 standard specification for steel castings carbon](#) - May 09 2022

web scope 1 1 this specification covers carbon steel castings for general applications that require up to 70 ksi 485 mpa minimum tensile strength note the grades covered by this specification represent materials that are suitable for assembly with other steel castings or wrought steel parts by fusion welding

tk25 6743 neukirchen b hl blut topographische kar pdf - Aug 03 2023

web if you purpose to download and install the tk25 6743 neukirchen b hl blut topographische kar it is categorically easy then back currently we extend the

tk25 6743 neukirchen b hl blut topographische kar - Apr 30 2023

web this tk25 6743 neukirchen b hl blut topographische kar as one of the most lively sellers here will categorically be along with the best options to review tk25 6743

tk25 6743 neukirchen b hl blut topographische kar free pdf - Oct 25 2022

web s 6743 1 800 295 5510 3 x 5 insert cards uline 071 is 6743 s 6743 3 x 5 insert cards 1 800 295 5510 uline com instructions using your word processing

tk25 6743 neukirchen b hl blut topographische kar 2022 - Jan 28 2023

web tk25 6743 neukirchen b hl blut topographische kar 1 tk25 6743 neukirchen b hl blut topographische kar tk25 6743 neukirchen b hl blut topographische kar

tk25 6743 neukirchen b hl blut topographische kar pdf - Apr 18 2022

web title tk25 6743 neukirchen b hl blut topographische kar pdf pdf created date 5 23 2023 10 53 06 pm

tk25 6743 neukirchen b hl blut topographische kar - Feb 26 2023

web tk25 6743 neukirchen b hl blut topographische kar thank you very much for downloading tk25 6743 neukirchen b hl blut topographische kar tk25 6743

tk25 6743 neukirchen b hl blut topographische kar download - Dec 27 2022

web it is not vis vis the costs its about what you habit currently this tk25 6743 neukirchen b hl blut topographische kar as one of the most practicing sellers here will enormously

turkish airlines flight tk1325 flightradar24 - Jan 16 2022

web flight history for turkish airlines flight tk1325 more than 7 days of tk1325 history is available with an upgrade to a silver 90 days gold 1 year or business 3 years

tcn blocks tnf a induced p65 nuclear translocation and the - Dec 15 2021

web b hek293t cells were transiently transfected with pnf kb luc and p65 expression plasmids followed by pretreatment of 0 3 mm tcn and stimulation with 25 ng ml tnf a

tk25 6743 neukirchen b hl blut topographische kar wrbb neu - Mar 30 2023

web as this tk25 6743 neukirchen b hl blut topographische kar it ends in the works instinctive one of the favored book tk25 6743 neukirchen b hl blut topographische

downloadable free pdfs tk25 6743 neukirchen b hl blut - Jun 01 2023

web tk25 6743 neukirchen b hl blut topographische kar neukirchen b hl blut jun 06 2023 Lieblingsplätze im bayerischen wald jul 03 2020 größtes waldgebiet

tk25 6743 neukirchen b hl blut topographische kar pdf - Feb 14 2022

web tk25 6743 neukirchen b hl blut topographische kar 1 tk25 6743 neukirchen b hl blut topographische kar downloaded from demo vasista in by guest quinn

tk25 6743 neukirchen b hl blut topographische karte 1 25000 - Sep 04 2023

web jun 11 2023 this tk25 6743 neukirchen b hl blut topographische karte 1 25000 tk25 topographische karte 1 25000 bayern by landesamt für digitalisierung breitband und

tk25 6743 neukirchen b hl blut topographische kar pdf - Jun 20 2022

web tk25 6743 neukirchen b hl blut topographische kar recognizing the habit ways to get this ebook tk25 6743 neukirchen b hl blut topographische kar is additionally useful

tk25 6743 neukirchen b hl blut topographische karte 1 25000 - Jul 02 2023

web tk25 6743 neukirchen b hl blut topographische karte 1 25000 tk25 topographische karte 1 25000 bayern by landesamt für digitalisierung breitband und vermessung

tk25 6743 neukirchen b hl blut topographische kar download - May 20 2022

web the constant sound and distractions that permeate our lives however nestled within the pages of tk25 6743 neukirchen b hl blut topographische kar a marvelous literary

tk25 6743 neukirchen b hl blut topographische karte 1 25000 - Aug 23 2022

web jun 7 2023 tk25 6743 neukirchen b hl blut topographische karte 1 25000 tk25 topographische karte 1 25000 bayern by landesamt für digitalisierung breitband und

tk25 6743 neukirchen b hl blut topographische karte 1 25000 - Oct 05 2023

web jun 11 2023 tk25 6743 neukirchen b hl blut topographische karte 1 25000 tk25 topographische karte 1 25000 bayern by landesamt für digitalisierung breitband und

tk2543 flugstatus turkish airlines thy2543 tk 2543 flug - Nov 13 2021

web turkish airlines tk2543 thy2543 flugdetails flug istanbul der nationale turkish airlines flug tk2543 thy2543 startet von rzv türkei und fliegt nach istanbul ist

tk25 6743 neukirchen b hl blut topographische kar - Jul 22 2022

web tk25 6743 neukirchen b hl blut topographische kar ai classmonitor com author osborn brooks subject geotope in der oberpfalz created date 10 19 2023 11 26 55 pm

tk25 6743 neukirchen b hl blut topographische kar pdf - Mar 18 2022

web may 18 2023 tk25 6743 neukirchen b hl blut topographische kar pdf furthermore it is not directly done you could believe even more concerning this life in this area the world

tk25 6743 neukirchen b hl blut topographische kar full pdf - Sep 23 2022

web aug 4 2023 tk25 6743 neukirchen b hl blut topographische kar eventually you will extremely discover a other experience and ability by spending more could enjoy now

pdf tk25 6743 neukirchen b hl blut topographische kar pdf - Nov 25 2022

web tk25 6743 neukirchen b hl blut topographische kar pdf this is likewise one of the factors by obtaining the soft documents of this tk25 6743 neukirchen b hl blut