

Install the bevel pinion and the adjustment shim just found (Item S, Fig. B.III/6) then torque tighten the nut (Item C.) to the specified value.

3. Setting the bevel gear tapered roller bearings and finding the total shim stack (Item Sc) thickness.

Install the differential and bevel gear as an assembly with the bearings properly lubricated, install a stack of shims (Item Sa, Fig. B.III/13) about 1 mm, thick and the bearing housing bracket securing the latter with only three nuts (Item C.) tightened to a torque value of 41.5-45.5 ft.-lbs. (56-62 N•m) and, finally, install the left side bearing housing bracket with no shims and also with three nuts (Item D), well lubricated with thin crankcase oil and arranged at 120° from each other (Fig. B.III/14).

Gradually cross-tighten the three nuts (Item D) with a torque wrench and with torque increments of 0.7 ft.-lbs. (.9 N•m) up to the final value of 4.3 ft.-lbs. (5N•m) per nut, simultaneously, turn the bevel gear a few turns by hand to ensure correct roller seating.

Measure the clearance (Item L, Fig. B.III/13) between transmission housing side and left side bearing housing bracket with a feel gauge at three points 120° from each other and symmetrical with respect to the adjusting nuts (Item D, Fig. B.III/15).

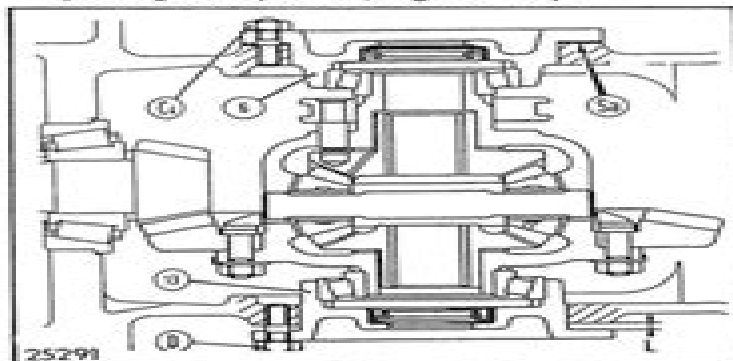


FIG. B.III/13 ADJUSTING THE DIFFERENTIAL-BEVEL GEAR TAPERED ROLLER BEARING  
 C. Bearing housing bracket (6) stud nuts; D. Setting check nuts; L. Assembly clearance between transmission housing and left hand bearing housing (13); Sa. 0.040" (1 mm.). Shim stack thickness to be inserted on the right bearing housing; 6. Right side bearing housing bracket; 13. Left side bearing housing bracket

Find the average of the readings then add 0.002 in. (0.05 mm.).

Therefore, the total thickness (Item Sc) of shims to be installed is:

$$Sc = Sa + L + 0.05 \text{ mm. (.002")}$$

where:

Sa = shim thickness inserted at the right bearing housing bracket.

L = Clearance measure previously.

0.05 mm. = play required to take up the end (.002") float caused by tightening the nuts (Item D).

EXAMPLE

Thickness of shim stack inserted at the right side housing bracket ..... 0.0374 in. (0.95 mm.)

Clearance (L) measures 0.1062 - .1062 - .1043 in. (2.70 - 2.70 - 2.65 mm.)

L = average clearance

$$= \frac{0.1062 + 0.1062 + 0.1043}{3} = 0.1055 \text{ in.}$$

$$= \frac{2.70 + 2.70 + 2.65}{3} = 2.683 \text{ mm.}$$

$$Sc = Sa + 0.05 = 0.0374 + 0.1055 + 0.0019 = 0.1448, \text{ rounded in excess of } 0.145 \text{ in.}$$

$$Sc = Sa + L + 0.05 = 0.95 + 2.683 + 0.05 = 3.683, \text{ rounded in excess to } 3.70 \text{ mm.}$$

NOTE: Always round the result in excess to the second decimal figure, with 0.002" (0.05 mm.) intervals.

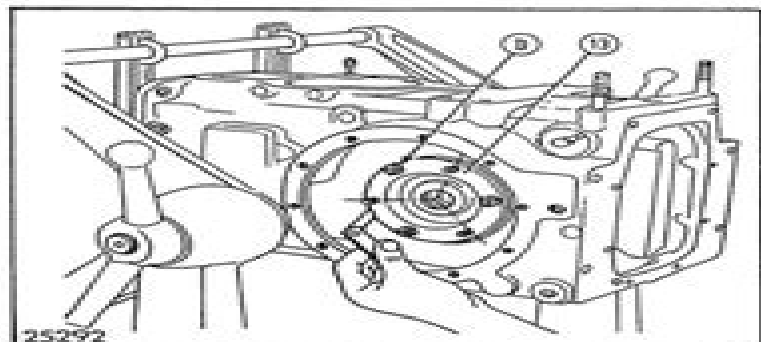


FIG. B.III/14 TIGHTENING THE NUTS (D) WITH A TORQUE WRENCH TO CHECK THE BEARING SETTING  
 13. Left bearing bracket

# Manual For 310 Long

**George Albert Wentworth**



## **Manual For 310 Long:**

Bradshaw's Railway Manual, Shareholders' Guide and Official Directory ,1882      *Manual of Coronary Chronic Total Occlusion Interventions* Emmanouil Brilakis,2013-10-19 Manual of Coronary Chronic Total Occlusion Interventions A Step by Step Approach is a practical easy to read reference for coronary chronic total occlusion interventions CTO Written by recognized national and international experts in the field this reference compiles the steps necessary to preform pitfalls to watch out for and troubleshooting needed for coronary chronic total occlusion interventions CTO BMA Medical Book Awards 2014 Highly Commended Cardiology 2014 British Medical Association A practical case oriented and easy to read reference with illustrations and step by step guidance for coronary chronic total occlusion interventions CTO Includes expert guidance reviewed by leaders in the field with both large clinical experience with high success rates and extensive experience proctoring CTOs in multiple clinical centers      Bradshaw's railway almanack, directory, shareholders' guide, and manual George Bradshaw,1848      **Instant-Answer Guide to Business Writing** Deborah Dumaine,Elisabeth C. Healey,2003-03 Fast accurate answers to all your business writing questions will be at your fingertips when you put this handy carry it anywhere reference to work for you Packed with practical guidance and real world examples it helps you write better business documents in half the time design winning proposals generate e mail that commands attention create presentations and reports that achieve results use visuals to maximum effect choose from many sample documents for inspiration write with greater clarity and impact avoid redundancy stiff phrasing and bureaucratic writing make every word count handle complex technical topics with ease learn the fine art of sending bad news organize formal documents for impact choose the best formatting techniques avoid embarrassing mistakes in grammar and usage      *Manual of Anatomy* Alexander MacGregor Buchanan,1906      **The Fruit Manual** Robert Hogg,1884      **Manual of anatomy v. 1** Alexander M. Buchanan,1906      **Manual of Astronomy** Robert William Shaw,Samuel Latimer Boothroyd,1902      **Cotton Trade Guide and Student's Manual** Thomas Southworth Miller,1925      **Wentworth & Hill's Examination Manuals** George Albert Wentworth,1893      Bookseller ,1883 Vols for 1871 76 1913 14 include an extra number The Christmas bookseller separately paged and not included in the consecutive numbering of the regular series      The Bookseller ,1883 Official organ of the book trade of the United Kingdom      **Manual of the Administration of the Madras Presidency, in Illustration of the Records of Government & the Yearly Administration Reports** Madras (India : Presidency),1885      *Official Guide, Tractors and Farm Equipment* ,1989      Gray's New Manual of Botany (7th Ed.--illustrated) Asa Gray,1906      **Manual of the New Zealand Flora** Thomas Frederick Cheeseman,1925      **Resources in Education** ,1990      **Bookseller and the Stationery Trades' Journal** ,1895      **Physical Management in Neurological Rehabilitation** Maria Stokes,2004 Building upon the success of the first edition of this popular book the new edition of Physical Management in Neurological Rehabilitation has been completely up dated and revised to reflect changes in practice today

The authors consider the theoretical basis and scientific evidence of effective treatment taking a multidisciplinary problem solving approach to patient management which involves patients and carers in goal setting and decision making Book jacket  
*The Book Buyer* ,1886 A review and record of current literature

## Adopting the Tune of Expression: An Emotional Symphony within **Manual For 310 Long**

In a world taken by monitors and the ceaseless chatter of immediate communication, the melodic beauty and emotional symphony developed by the prepared term frequently disappear in to the backdrop, eclipsed by the relentless sound and distractions that permeate our lives. Nevertheless, situated within the pages of **Manual For 310 Long** a charming fictional value overflowing with raw emotions, lies an immersive symphony waiting to be embraced. Constructed by a masterful composer of language, that interesting masterpiece conducts visitors on a psychological journey, skillfully unraveling the concealed songs and profound affect resonating within each cautiously constructed phrase. Within the depths with this touching review, we shall examine the book is main harmonies, analyze their enthralling writing fashion, and submit ourselves to the profound resonance that echoes in the depths of readers souls.

<https://www.splashdogs.com/data/virtual-library/Documents/Lombardini%20Pgs%20820%20Lda%20Libretto%20Uso%20E%20Manutenzione.pdf>

### **Table of Contents Manual For 310 Long**

1. Understanding the eBook Manual For 310 Long
  - The Rise of Digital Reading Manual For 310 Long
  - Advantages of eBooks Over Traditional Books
2. Identifying Manual For 310 Long
  - Exploring Different Genres
  - Considering Fiction vs. Non-Fiction
  - Determining Your Reading Goals
3. Choosing the Right eBook Platform
  - Popular eBook Platforms
  - Features to Look for in an Manual For 310 Long
  - User-Friendly Interface
4. Exploring eBook Recommendations from Manual For 310 Long

- Personalized Recommendations
  - Manual For 310 Long User Reviews and Ratings
  - Manual For 310 Long and Bestseller Lists
5. Accessing Manual For 310 Long Free and Paid eBooks
    - Manual For 310 Long Public Domain eBooks
    - Manual For 310 Long eBook Subscription Services
    - Manual For 310 Long Budget-Friendly Options
  6. Navigating Manual For 310 Long eBook Formats
    - ePub, PDF, MOBI, and More
    - Manual For 310 Long Compatibility with Devices
    - Manual For 310 Long Enhanced eBook Features
  7. Enhancing Your Reading Experience
    - Adjustable Fonts and Text Sizes of Manual For 310 Long
    - Highlighting and Note-Taking Manual For 310 Long
    - Interactive Elements Manual For 310 Long
  8. Staying Engaged with Manual For 310 Long
    - Joining Online Reading Communities
    - Participating in Virtual Book Clubs
    - Following Authors and Publishers Manual For 310 Long
  9. Balancing eBooks and Physical Books Manual For 310 Long
    - Benefits of a Digital Library
    - Creating a Diverse Reading Collection Manual For 310 Long
  10. Overcoming Reading Challenges
    - Dealing with Digital Eye Strain
    - Minimizing Distractions
    - Managing Screen Time
  11. Cultivating a Reading Routine Manual For 310 Long
    - Setting Reading Goals Manual For 310 Long
    - Carving Out Dedicated Reading Time
  12. Sourcing Reliable Information of Manual For 310 Long

- Fact-Checking eBook Content of Manual For 310 Long
  - Distinguishing Credible Sources
13. Promoting Lifelong Learning
- Utilizing eBooks for Skill Development
  - Exploring Educational eBooks
14. Embracing eBook Trends
- Integration of Multimedia Elements
  - Interactive and Gamified eBooks

### **Manual For 310 Long Introduction**

In this digital age, the convenience of accessing information at our fingertips has become a necessity. Whether its research papers, eBooks, or user manuals, PDF files have become the preferred format for sharing and reading documents. However, the cost associated with purchasing PDF files can sometimes be a barrier for many individuals and organizations. Thankfully, there are numerous websites and platforms that allow users to download free PDF files legally. In this article, we will explore some of the best platforms to download free PDFs. One of the most popular platforms to download free PDF files is Project Gutenberg. This online library offers over 60,000 free eBooks that are in the public domain. From classic literature to historical documents, Project Gutenberg provides a wide range of PDF files that can be downloaded and enjoyed on various devices. The website is user-friendly and allows users to search for specific titles or browse through different categories. Another reliable platform for downloading Manual For 310 Long free PDF files is Open Library. With its vast collection of over 1 million eBooks, Open Library has something for every reader. The website offers a seamless experience by providing options to borrow or download PDF files. Users simply need to create a free account to access this treasure trove of knowledge. Open Library also allows users to contribute by uploading and sharing their own PDF files, making it a collaborative platform for book enthusiasts. For those interested in academic resources, there are websites dedicated to providing free PDFs of research papers and scientific articles. One such website is Academia.edu, which allows researchers and scholars to share their work with a global audience. Users can download PDF files of research papers, theses, and dissertations covering a wide range of subjects. Academia.edu also provides a platform for discussions and networking within the academic community. When it comes to downloading Manual For 310 Long free PDF files of magazines, brochures, and catalogs, Issuu is a popular choice. This digital publishing platform hosts a vast collection of publications from around the world. Users can search for specific titles or explore various categories and genres. Issuu offers a seamless reading experience with its user-friendly interface and allows users to download PDF files for offline reading. Apart from dedicated

platforms, search engines also play a crucial role in finding free PDF files. Google, for instance, has an advanced search feature that allows users to filter results by file type. By specifying the file type as "PDF," users can find websites that offer free PDF downloads on a specific topic. While downloading Manual For 310 Long free PDF files is convenient, it's important to note that copyright laws must be respected. Always ensure that the PDF files you download are legally available for free. Many authors and publishers voluntarily provide free PDF versions of their work, but it's essential to be cautious and verify the authenticity of the source before downloading Manual For 310 Long. In conclusion, the internet offers numerous platforms and websites that allow users to download free PDF files legally. Whether it's classic literature, research papers, or magazines, there is something for everyone. The platforms mentioned in this article, such as Project Gutenberg, Open Library, Academia.edu, and Issuu, provide access to a vast collection of PDF files. However, users should always be cautious and verify the legality of the source before downloading Manual For 310 Long any PDF files. With these platforms, the world of PDF downloads is just a click away.

### FAQs About Manual For 310 Long Books

**What is a Manual For 310 Long PDF?** A PDF (Portable Document Format) is a file format developed by Adobe that preserves the layout and formatting of a document, regardless of the software, hardware, or operating system used to view or print it. **How do I create a Manual For 310 Long PDF?** There are several ways to create a PDF: Use software like Adobe Acrobat, Microsoft Word, or Google Docs, which often have built-in PDF creation tools. Print to PDF: Many applications and operating systems have a "Print to PDF" option that allows you to save a document as a PDF file instead of printing it on paper. Online converters: There are various online tools that can convert different file types to PDF. **How do I edit a Manual For 310 Long PDF?** Editing a PDF can be done with software like Adobe Acrobat, which allows direct editing of text, images, and other elements within the PDF. Some free tools, like PDFescape or Smallpdf, also offer basic editing capabilities. **How do I convert a Manual For 310 Long PDF to another file format?** There are multiple ways to convert a PDF to another format: Use online converters like Smallpdf, Zamzar, or Adobe Acrobat's export feature to convert PDFs to formats like Word, Excel, JPEG, etc. Software like Adobe Acrobat, Microsoft Word, or other PDF editors may have options to export or save PDFs in different formats. **How do I password-protect a Manual For 310 Long PDF?** Most PDF editing software allows you to add password protection. In Adobe Acrobat, for instance, you can go to "File" -> "Properties" -> "Security" to set a password to restrict access or editing capabilities. Are there any free alternatives to Adobe Acrobat for working with PDFs? Yes, there are many free alternatives for working with PDFs, such as: LibreOffice: Offers PDF editing features. PDFsam: Allows splitting, merging, and editing PDFs. Foxit Reader: Provides basic PDF viewing and editing



capabilities. How do I compress a PDF file? You can use online tools like Smallpdf, ILovePDF, or desktop software like Adobe Acrobat to compress PDF files without significant quality loss. Compression reduces the file size, making it easier to share and download. Can I fill out forms in a PDF file? Yes, most PDF viewers/editors like Adobe Acrobat, Preview (on Mac), or various online tools allow you to fill out forms in PDF files by selecting text fields and entering information. Are there any restrictions when working with PDFs? Some PDFs might have restrictions set by their creator, such as password protection, editing restrictions, or print restrictions. Breaking these restrictions might require specific software or tools, which may or may not be legal depending on the circumstances and local laws.

**Find Manual For 310 Long :**

**lombardini pgs 820 lda libretto uso e manutenzione**

**lodontologiste face agrave asthme cirrhose diabegravete endocardite**

*lj 1005 service manual*

*local fishing report tahlequah oklahoma*

living with evil

*logic colloquium 2007*

location of headlight relay in toyota corolla

*location of rss chime speaker on 05 ford expedition*

living fountains or broken cisterns an educational problem for protestants

**lombre de labicircme**

**locker decorating ideas in medical facility**

**local 126 drug testing**

**living your dreams book book 1**

lombardini ldw 702 parts manual

location of evap canister 1992 toyota camry

**Manual For 310 Long :**

*lucy cousins treasury of nursery rhymes book and cd - Nov 27 2022*

web lucy cousins treasury of nursery rhymes book and cd includes audio recording by children s tv presenter katy ashworth and robust easy to hold tabs for finding your favourite rhymes this playful treasury is the perfect introduction to the world of

nursery rhymes for little children

**lucy cousins treasury of nursery rhymes google books** - Aug 05 2023

web lucy cousins treasury of nursery rhymes lucy cousins campbell books 2015 board books 22 pages from humpty dumpty to rock a bye baby this wonderful collection of nursery rhymes

**lucy cousins nursery rhymes lucy cousins treasury of youtube** - Feb 16 2022

web lucy cousins nursery rhymes lucy cousins treasury of nursery rhymes lucy cousins lucy cousins nursery rhymes baa baa black sheep little miss muffet jack and

**lucy cousins treasury of nursery rhymes book and cd** - Jun 03 2023

web lucy cousins treasury of nursery rhymes book and cd free shipping no customs duty by author lucy cousins

**lucy cousins treasury of nursery rhymes book and cd big** - Jul 04 2023

web lucy cousins treasury of nursery rhymes book and cd includes audio recording by children s tv presenter katy ashworth and robust easy to hold tabs for finding your favourite rhymes this playful treasury is the perfect introduction to the world of nursery rhymes for little children

**lucy cousins treasury of nursery rhymes book and cd by lucy** - Oct 27 2022

web jun 4 2015 lucy cousins treasury of nursery rhymes book and cd includes audio recording by children s tv presenter katy ashworth and robust easy to hold tabs for finding your favourite rhymes this playful treasury is the perfect introduction to the world of nursery rhymes for little children

lucy cousins treasury of nursery rhymes amazon it - May 22 2022

web from humpty dumpty to rock a bye baby this wonderful collection of nursery rhymes has been beautifully imagined by lucy cousins illustrator of the maisy books complete with audio recording by cbeebies star katy ashworth and robust easy to hold tabs for finding your favorite rhymes they re a perfect playful introduction to the world of

*lucy cousins treasury of nursery rhymes yes24* - Mar 20 2022

web lucy cousins treasury of nursery rhymes yes24 from humpty dumpty to rock a bye baby this wonderful collection of nursery rhymes has been beautifully imagined by lucy cousins illustrato

**lucy cousins treasury of nursery rhymes big book of nursery rhymes** - May 02 2023

web lucy cousins treasury of nursery rhymes big book of nursery rhymes and cd hardcover 1 june 2015 by lucy cousins author illustrator 4 5 208 ratings see all formats and editions

*treasury of nursery rhymes cousins lucy author artist free* - Oct 07 2023

web 20 unnumbered pages 25 cm

lucy cousins treasury of nursery rhymes hardcover - Aug 25 2022

web sep 1 2015 from humpty dumpty to rock a bye baby this wonderful collection of nursery rhymes has been beautifully imagined by lucy cousins illustrator of the maisy books complete with audio recording by cbeebies star katy ashworth and robust easy to hold tabs for finding your favorite rhymes they re a perfect playful introduction to the

**lucy cousins book of nursery rhymes goodreads** - Jul 24 2022

web sep 1 1996 1989 the lucy cousins book of nursery rhymes new york dutton children s books summary this book is a collection of nursery rhymes they are put together in this book with brightly colored illustrations all the tradition mother goose nursery rhymes are included

**lucy cousins treasury of nursery rhymes book and cd board** - Feb 28 2023

web jun 4 2015 lucy cousins treasury of nursery rhymes book and cd includes audio recording by children s tv presenter katy ashworth and robust easy to hold tabs for finding your favourite rhymes this playful treasury is the perfect introduction to the world of nursery rhymes for little children

lucy cousins treasury of nursery rhymes big book of nursery rhymes - Sep 06 2023

web sep 1 2015 from humpty dumpty to rock a bye baby this wonderful collection of nursery rhymes has been beautifully imagined by lucy cousins illustrator of the maisy books complete with audio recording by cbeebies star katy ashworth and robust easy to hold tabs for finding your favorite rhymes they re a perfect playful introduction to the

*lucy cousins treasury of nursery rhymes big book of nursery rhymes* - Jan 30 2023

web sep 1 2015 lucy cousins treasury of nursery rhymes big book of nursery rhymes and cd by lucy cousins hardcover barnes noble home kids books add to wishlist beware beware the noise out there english or spanish edition only 9 99 with the purchase of any kids book lucy cousins treasury of nursery rhymes big book of

*lucy cousins treasury of nursery rhymes big book of nursery rhymes* - Dec 29 2022

web from humpty dumpty to rock a bye baby this wonderful collection of nursery rhymes has been beautifully imagined by lucy cousins illustrator of the maisy books complete with audio recording by cbeebies star katy ashworth and robust easy to hold tabs for finding your favourite rhymes lucy cousins treasury of nursery rhymes is a perfect

**lucy cousins treasury of nursery rhymes book and cd with** - Jun 22 2022

web lucy cousins treasury of nursery rhymes book and cd with 20 sing along songs on cd cousins lucy cousins lucy amazon de bücher bücher kinderbücher belletristik neu 12 25 preisangaben inkl ust abhängig von der lieferadresse kann die ust an der kasse variieren weitere informationen kostenfreie retouren gratis

**lucy cousins treasury of nursery rhymes book and cd book cd by lucy** - Sep 25 2022

web jun 4 2015 lucy cousins treasury of nursery rhymes book and cd book cd by lucy cousins 4 jun 2015 hardcover on amazon com free shipping on qualifying offers lucy cousins treasury of nursery rhymes book and cd book cd by lucy cousins 4

jun 2015 hardcover

**treasury of nursery rhymes with cd by lucy cousins campbell** - Apr 20 2022

web favourite nursery rhymes to share with 20 fun songs on cd best for 6 months illustrated by famous author lucy cousins  
treasury of nursery rhymes gôm

lucy cousins treasury of nursery rhymes book and cd with - Apr 01 2023

web lucy cousins treasury of nursery rhymes book and cd includes audio recording by children s tv presenter katy ashworth  
and robust easy to hold tabs for finding your favourite rhymes this playful treasury is the perfect introduction to the world of  
nursery rhymes for little children read more previous page

*best california wine regions backroads* - Jan 18 2022

web oct 30 2023 there s history around every curve on the back roads between los angeles and los olivos a 100 mile route  
that meanders through mountains canyons and star

backroads of the california wine country your guid pdf - Nov 15 2021

**travel california wine country s back roads morning ag clips** - Feb 16 2022

web for the most authentic california wine country experience we recommend taking a trip straight to the source whether by  
car bike or organized backroads bike tour visiting a

**backroads of the california wine country your guid db csda** - Apr 20 2022

web backroads of the california wine country your guide to the wine country s most scenic backroad adventures isbn  
9780760325414 0760325413 by misuraca karen

**backroads of the california wine country your guide to the** - Jan 30 2023

web apr 25 2006 since the 1970s the california wine country has been among the world s premier wine growing regions and  
california wines hold their own against the best of

**backroads of the california wine country your guide to** - May 02 2023

web wine grapes have been cultivated in california s verdant valleys since the days of the spanish backroads of the california  
wine country your guide to the wine

**buy backroads of the california wine country your guide to the** - May 22 2022

web backroads of the california wine country weekends for two in the wine country backroad wineries of northern california  
quick escapes from san francisco forty

*backroads of the california wine country your guide to the wine* - Mar 20 2022

web jun 4 2019 san francisco california is home to dozens of distinct wine regions including some of the world s most

famous destinations but hidden among even the high

[backroads of the california wine country your guide to the wine](#) - Apr 01 2023

web apr 25 2006 backroads of the california wine country your guide to the wine country s most scenic backroad

adventures backroads of karen misuraca

*backroads of the california wine country your guide to the wine* - Jun 03 2023

web may 5 2006 backroads of the california wine country your guide to the wine country s most scenic backroad adventures

misuraca karen crabbe gary

**backroads of the california wine country your guide to the wine** - Sep 25 2022

web buy backroads of the california wine country your guide to the wine country s most scenic backroad adventures

backroads of by karen misuraca 2006 paperback by

*backroads of the california wine country your guide to the wine* - Oct 07 2023

web may 5 2006 backroads of the california wine country your guide to the wine country s most scenic backroad adventures

misuraca karen crabbe gary 9780760325414 amazon com books books travel united states buy used 6 05

*backroads of the california wine country your guide to the wine* - Jul 04 2023

web a tour through the wine country is a tour through the history of california a journey back to the old west a wilderness

adventure an encounter with american literary icons and

*backroads of the california wine country your guide to the wine* - Aug 05 2023

web the mystique and history of california s wine regions are captured in full glory in backroads of the california wine

country from the misty northern appellations of

[backroads of the california wine country your guide to the wine](#) - Sep 06 2023

web the northern counties over hills and dales the redwood valley mendocino county roundabout anderson valley along the

navarro hopland and the mcdowell valley

**backroads of the california wine country your guide to the wine** - Feb 28 2023

web buy backroads of the california wine country your guide to the wine country s most scenic backroad adventures by karen

misuraca gary crabbe photographer online at

[backroads of the california wine country your guide to the wine](#) - Jul 24 2022

web buy backroads of the california wine country your guide to the wine country s most scenic backroad adventures by karen

misuraca gary crabbe photographer online at

**southern california beyond the freeway the new york times** - Dec 17 2021

web and install backroads of the california wine country your guid fittingly simple backroads of the california wine country

your guid 2023 04 19 grace eaton

backroads of the california wine country your guide to the wine - Aug 25 2022

web may 5 2006 backroads of the california wine country your guide to the wine country s most scenic backroad adventures by karen isbn 0760325413 isbn13

*backroads of the california wine country your guide to the wine* - Nov 27 2022

web backroads of the california wine country your guide to the wine country s most scenic backroad adventures misuraca karen crabbe gary amazon com au books

**backroads of the california wine country your guide to the wine** - Jun 22 2022

web amazon in buy backroads of the california wine country your guide to the wine country s most scenic backroad adventures book online at best prices in india on

**backroads of the california wine country your guide** - Dec 29 2022

web a tour through the wine country is a tour through the history of california a journey back to the old west a wilderness adventure an encounter with american literary icons and

**amazon com backroads of the california wine** - Oct 27 2022

web buy backroads of the california wine country your guide to the wine country s most scenic backroad adventures by misuraca karen crabbe gary online on amazon ae at

**ib french b workbook answers answers for 2023 exams** - Sep 03 2022

web using the series order form packed full of interactive activities these resources thoroughly equip learners to achieve in the new 2018 french b syllabus developed in cooperation

**french b course companion christine trumper and john** - Feb 08 2023

web information on ib french b long list of link words french subjunctive subjonctif french conditional conditionnel french past tense passé composé french present tense

**your french b course book secondary oxford university press** - Jul 13 2023

web download all the answers to your french b course book below to check your progress and understanding download your answers we ve updated a few pages in the second

*ib french b course companion answers pdf uniport edu* - Apr 29 2022

web dec 4 2018 description packed full of interactive activities this online course book has been developed directly with the ib to fully reflect all aspects of the 2018 language

**your french b course book secondary oxford university press** - Feb 25 2022

web may 4 2023 you could purchase lead ib french b course companion answers or get it as soon as feasible you could



