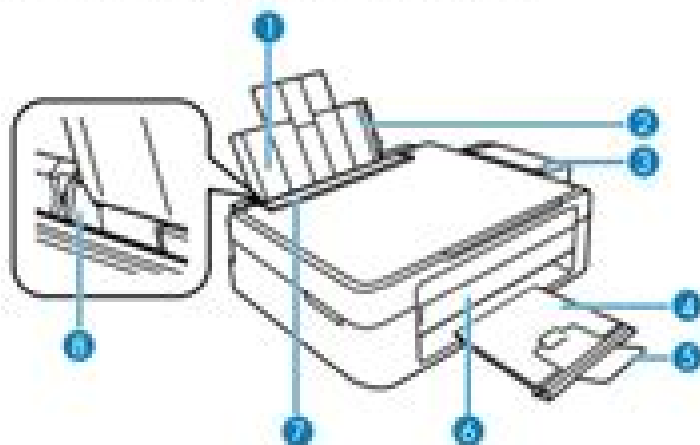


- 3 Botón  de copia en color
- 4 Botón  de cancelar
- 5 Pulse los botones  de copia en ByN y  de copia en color al mismo tiempo para escanear.
- 6 Indicador  de papel
- 7 Indicador  de tinta

Tema principal: [Ubicación de los componentes del producto](#)

Componentes del producto - Parte superior



- 1 Alimentador de hojas
- 2 Soporte del papel
- 3 Unidad de tanques de tinta
- 4 Bandeja de salida del papel
- 5 Parador
- 6 Panel de control
- 7 Protector del alimentador

Manual De Instalacion Impresora Epson L210

Robert R. Redfield



Manual De Instalacion Impresora Epson L210:

Enjoying the Beat of Appearance: An Emotional Symphony within **Manual De Instalacion Impresora Epson L210**

In a world used by monitors and the ceaseless chatter of fast transmission, the melodic elegance and emotional symphony developed by the published term often fade in to the back ground, eclipsed by the constant noise and interruptions that permeate our lives. However, situated within the pages of **Manual De Instalacion Impresora Epson L210** a wonderful literary treasure filled with fresh thoughts, lies an immersive symphony waiting to be embraced. Constructed by a masterful composer of language, that interesting masterpiece conducts visitors on an emotional journey, well unraveling the concealed songs and profound influence resonating within each carefully crafted phrase. Within the depths of the poignant evaluation, we shall examine the book is key harmonies, analyze their enthralling publishing model, and submit ourselves to the profound resonance that echoes in the depths of readers souls.

https://www.splashdogs.com/public/browse/Documents/Honda_Aquatrax_R_12x_Service_Manual.pdf

Table of Contents Manual De Instalacion Impresora Epson L210

1. Understanding the eBook Manual De Instalacion Impresora Epson L210
 - The Rise of Digital Reading Manual De Instalacion Impresora Epson L210
 - Advantages of eBooks Over Traditional Books
2. Identifying Manual De Instalacion Impresora Epson L210
 - Exploring Different Genres
 - Considering Fiction vs. Non-Fiction
 - Determining Your Reading Goals
3. Choosing the Right eBook Platform
 - Popular eBook Platforms
 - Features to Look for in an Manual De Instalacion Impresora Epson L210
 - User-Friendly Interface
4. Exploring eBook Recommendations from Manual De Instalacion Impresora Epson L210
 - Personalized Recommendations

- Manual De Instalacion Impresora Epson L210 User Reviews and Ratings
- Manual De Instalacion Impresora Epson L210 and Bestseller Lists
- 5. Accessing Manual De Instalacion Impresora Epson L210 Free and Paid eBooks
 - Manual De Instalacion Impresora Epson L210 Public Domain eBooks
 - Manual De Instalacion Impresora Epson L210 eBook Subscription Services
 - Manual De Instalacion Impresora Epson L210 Budget-Friendly Options
- 6. Navigating Manual De Instalacion Impresora Epson L210 eBook Formats
 - ePub, PDF, MOBI, and More
 - Manual De Instalacion Impresora Epson L210 Compatibility with Devices
 - Manual De Instalacion Impresora Epson L210 Enhanced eBook Features
- 7. Enhancing Your Reading Experience
 - Adjustable Fonts and Text Sizes of Manual De Instalacion Impresora Epson L210
 - Highlighting and Note-Taking Manual De Instalacion Impresora Epson L210
 - Interactive Elements Manual De Instalacion Impresora Epson L210
- 8. Staying Engaged with Manual De Instalacion Impresora Epson L210
 - Joining Online Reading Communities
 - Participating in Virtual Book Clubs
 - Following Authors and Publishers Manual De Instalacion Impresora Epson L210
- 9. Balancing eBooks and Physical Books Manual De Instalacion Impresora Epson L210
 - Benefits of a Digital Library
 - Creating a Diverse Reading Collection Manual De Instalacion Impresora Epson L210
- 10. Overcoming Reading Challenges
 - Dealing with Digital Eye Strain
 - Minimizing Distractions
 - Managing Screen Time
- 11. Cultivating a Reading Routine Manual De Instalacion Impresora Epson L210
 - Setting Reading Goals Manual De Instalacion Impresora Epson L210
 - Carving Out Dedicated Reading Time
- 12. Sourcing Reliable Information of Manual De Instalacion Impresora Epson L210
 - Fact-Checking eBook Content of Manual De Instalacion Impresora Epson L210

- Distinguishing Credible Sources
- 13. Promoting Lifelong Learning
 - Utilizing eBooks for Skill Development
 - Exploring Educational eBooks
- 14. Embracing eBook Trends
 - Integration of Multimedia Elements
 - Interactive and Gamified eBooks

Manual De Instalacion Impresora Epson L210 Introduction

In this digital age, the convenience of accessing information at our fingertips has become a necessity. Whether its research papers, eBooks, or user manuals, PDF files have become the preferred format for sharing and reading documents. However, the cost associated with purchasing PDF files can sometimes be a barrier for many individuals and organizations. Thankfully, there are numerous websites and platforms that allow users to download free PDF files legally. In this article, we will explore some of the best platforms to download free PDFs. One of the most popular platforms to download free PDF files is Project Gutenberg. This online library offers over 60,000 free eBooks that are in the public domain. From classic literature to historical documents, Project Gutenberg provides a wide range of PDF files that can be downloaded and enjoyed on various devices. The website is user-friendly and allows users to search for specific titles or browse through different categories. Another reliable platform for downloading Manual De Instalacion Impresora Epson L210 free PDF files is Open Library. With its vast collection of over 1 million eBooks, Open Library has something for every reader. The website offers a seamless experience by providing options to borrow or download PDF files. Users simply need to create a free account to access this treasure trove of knowledge. Open Library also allows users to contribute by uploading and sharing their own PDF files, making it a collaborative platform for book enthusiasts. For those interested in academic resources, there are websites dedicated to providing free PDFs of research papers and scientific articles. One such website is Academia.edu, which allows researchers and scholars to share their work with a global audience. Users can download PDF files of research papers, theses, and dissertations covering a wide range of subjects. Academia.edu also provides a platform for discussions and networking within the academic community. When it comes to downloading Manual De Instalacion Impresora Epson L210 free PDF files of magazines, brochures, and catalogs, Issuu is a popular choice. This digital publishing platform hosts a vast collection of publications from around the world. Users can search for specific titles or explore various categories and genres. Issuu offers a seamless reading experience with its user-friendly interface and allows users to download PDF files for offline reading. Apart from dedicated platforms, search engines also play a crucial role in finding free PDF files. Google, for

instance, has an advanced search feature that allows users to filter results by file type. By specifying the file type as "PDF," users can find websites that offer free PDF downloads on a specific topic. While downloading Manual De Instalacion Impresora Epson L210 free PDF files is convenient, it's important to note that copyright laws must be respected. Always ensure that the PDF files you download are legally available for free. Many authors and publishers voluntarily provide free PDF versions of their work, but it's essential to be cautious and verify the authenticity of the source before downloading Manual De Instalacion Impresora Epson L210. In conclusion, the internet offers numerous platforms and websites that allow users to download free PDF files legally. Whether it's classic literature, research papers, or magazines, there is something for everyone. The platforms mentioned in this article, such as Project Gutenberg, Open Library, Academia.edu, and Issuu, provide access to a vast collection of PDF files. However, users should always be cautious and verify the legality of the source before downloading Manual De Instalacion Impresora Epson L210 any PDF files. With these platforms, the world of PDF downloads is just a click away.

FAQs About Manual De Instalacion Impresora Epson L210 Books

How do I know which eBook platform is the best for me? Finding the best eBook platform depends on your reading preferences and device compatibility. Research different platforms, read user reviews, and explore their features before making a choice. Are free eBooks of good quality? Yes, many reputable platforms offer high-quality free eBooks, including classics and public domain works. However, make sure to verify the source to ensure the eBook credibility. Can I read eBooks without an eReader? Absolutely! Most eBook platforms offer webbased readers or mobile apps that allow you to read eBooks on your computer, tablet, or smartphone. How do I avoid digital eye strain while reading eBooks? To prevent digital eye strain, take regular breaks, adjust the font size and background color, and ensure proper lighting while reading eBooks. What the advantage of interactive eBooks? Interactive eBooks incorporate multimedia elements, quizzes, and activities, enhancing the reader engagement and providing a more immersive learning experience. Manual De Instalacion Impresora Epson L210 is one of the best book in our library for free trial. We provide copy of Manual De Instalacion Impresora Epson L210 in digital format, so the resources that you find are reliable. There are also many Ebooks of related with Manual De Instalacion Impresora Epson L210. Where to download Manual De Instalacion Impresora Epson L210 online for free? Are you looking for Manual De Instalacion Impresora Epson L210 PDF? This is definitely going to save you time and cash in something you should think about. If you trying to find then search around for online. Without a doubt there are numerous these available and many of them have the freedom. However without doubt you receive whatever you purchase. An alternate way to get ideas is always to check another Manual De Instalacion Impresora Epson L210. This method for see exactly what

may be included and adopt these ideas to your book. This site will almost certainly help you save time and effort, money and stress. If you are looking for free books then you really should consider finding to assist you try this. Several of Manual De Instalacion Impresora Epson L210 are for sale to free while some are payable. If you arent sure if the books you would like to download works with for usage along with your computer, it is possible to download free trials. The free guides make it easy for someone to free access online library for download books to your device. You can get free download on free trial for lots of books categories. Our library is the biggest of these that have literally hundreds of thousands of different products categories represented. You will also see that there are specific sites catered to different product types or categories, brands or niches related with Manual De Instalacion Impresora Epson L210. So depending on what exactly you are searching, you will be able to choose e books to suit your own need. Need to access completely for Campbell Biology Seventh Edition book? Access Ebook without any digging. And by having access to our ebook online or by storing it on your computer, you have convenient answers with Manual De Instalacion Impresora Epson L210 To get started finding Manual De Instalacion Impresora Epson L210, you are right to find our website which has a comprehensive collection of books online. Our library is the biggest of these that have literally hundreds of thousands of different products represented. You will also see that there are specific sites catered to different categories or niches related with Manual De Instalacion Impresora Epson L210 So depending on what exactly you are searching, you will be able to choose ebook to suit your own need. Thank you for reading Manual De Instalacion Impresora Epson L210. Maybe you have knowledge that, people have search numerous times for their favorite readings like this Manual De Instalacion Impresora Epson L210, but end up in harmful downloads. Rather than reading a good book with a cup of coffee in the afternoon, instead they juggled with some harmful bugs inside their laptop. Manual De Instalacion Impresora Epson L210 is available in our book collection an online access to it is set as public so you can download it instantly. Our digital library spans in multiple locations, allowing you to get the most less latency time to download any of our books like this one. Merely said, Manual De Instalacion Impresora Epson L210 is universally compatible with any devices to read.

Find Manual De Instalacion Impresora Epson L210 :

[honda aquatrax r 12x service manual](#)

honda c70 1980 1981 1982 motorcycle service repair manual

[honda ca 250 rebel owners manual](#)

[homework packets staar eoc](#)

honda accord coupe 2009 owner manual

honda brio amaze owners manual

honda accord immobilizer reset

homework solution for physical geology laboratory manual

homemade truffle recipes 50 simple old fashioned truffle making made easy

honda 110 motorcycle

honda bf2d outboard motor

honda 350x service manual

honda atv trx250tm service manual

honda 8 hp outboard motor

honda cb 125 t 1977 service manual

Manual De Instalacion Impresora Epson L210 :

free el síndrome de asperger excentricidad o discapaci - May 30 2022

web el síndrome de asperger excentricidad o discapaci trastornos y dificultades del desarrollo aug 07 2022 aquest estudi sintetitza les característiques clíniques i els principals tractaments psicopedagògics de les dificultats i els trastorns del desenvolupament en ell es recullen tant l etiologia i les possibles causes

el síndrome de asperger excentricidad o discapaci pdf - May 10 2023

web el síndrome de asperger excentricidad o discapaci educador de educacion especial de la generalitat valenciana temario especifico ebook aug 18 2020 síndrome de asperger mar 17 2023 en los últimos años estamos asistiendo con sorpresa y preocupación a un incremento significativo de la incidencia de los trastornos

el síndrome de asperger excentricidad o discapaci full pdf - Apr 28 2022

web el síndrome de asperger excentricidad o discapaci 3 3 heredado cada uno de nosotros descubriremos que ni siquiera la muerte es un límite aprenderemos a conectarnos mentalmente con cualquier persona comunicarnos con ella saber lo que piensa a distancia también y a cualquier distancia incluso después de la muerte sigue

el síndrome de asperger excentricidad o discapaci 2022 - Feb 07 2023

web el síndrome de asperger excentricidad o discapaci autism el espectro bipolar autismos claves psicobiológicas diagnósticas y de intervención en el autismo autism and creativity el jardín hueco inter comunicación mental a distancia icmd ask dr tony equinoterapia para la atención educativa integral de escolares autistas manual the

read free el síndrome de asperger excentricidad o discapaci - Mar 08 2023

web el síndrome de asperger excentricidad o discapaci children youth and adults with asperger syndrome jul 22 2021 this book offers a comprehensive overview of clinical research and personal perspectives on asperger syndrome including

contributions from parents and experts in the fields of psychology social work psychiatry genetics

qué es el síndrome de asperger asperger méxico - Sep 02 2022

web el síndrome de asperger sa es una condición neurológica congénita es decir se nace con ello el cerebro de la persona con asperger percibe e interpreta el mundo y sus relaciones de manera diferente es por ello que interactúan con el mundo que los rodea de manera distinta esta manera diferente de percibir les permite tener habilidades en

el síndrome de asperger excentricidad o discapacidad social - Oct 15 2023

web el síndrome de asperger excentricidad o discapacidad social pilar martín borreguero google books qué es el síndrome de asperger cómo se diagnostica qué implicaciones

el síndrome de asperger excentricidad o discapaci - Aug 13 2023

web el síndrome de asperger excentricidad o discapaci sinfona en clave de asperger nov 15 2021 anticiparse con algún tipo de consideración ya sea personal afectiva o incluso con pretensiones académicas a un libro escrito por otros es no solo difícil sino atrevido sin embargo las tareas hay que hacerlas y esta la asumo

el síndrome de asperger excentricidad o discapaci - Nov 04 2022

web el síndrome de asperger excentricidad o discapaci been there done that try this the boy who was raised as a dog uncle tungsten a shot in the dark claves psicológicas diagnósticas y de intervención en el autismo the handbook of autism a guide to asperger syndrome kaplan sadock s pocket handbook of clinical

el síndrome de asperger qué es y cuáles son sus características - Jan 06 2023

web jan 20 2014 el síndrome de asperger recibe el nombre del pediatra austriaco hans asperger quien describió por primera vez la patología en el año 1944 actualmente la organización mundial de la salud oms lo define como un trastorno generalizado del desarrollo tgd de carácter severo y crónico y que afecta a las capacidades de

el síndrome de asperger excentricidad o discapacidad social - Jul 12 2023

web para el individuo con síndrome de asperger el mundo social de relación con otras personas es un lugar enigmático inextricable y en ocasiones hostil construido sobre unas reglas comportamentales y unas convenciones sociales complejas arbitrarias e ilógicas

el síndrome de asperger excentricidad o discapacidad social - Dec 05 2022

web para el individuo con síndrome de asperger el mundo social de relación con otras personas es un lugar enigmático inextricable y en ocasiones hostil construido sobre unas reglas comportamentales y unas convenciones sociales complejas arbitrarias e ilógicas

el síndrome de asperger excentricidad o discapacidad social - Sep 14 2023

web qué es el síndrome de asperger cómo se diagnostica qué implicaciones tiene para el comportamiento de la persona

afectada cuál es su relación con otros trastornos psiquiátricos cuál es el pronóstico a largo plazo existe un [el síndrome de asperger no es una enfermedad gob mx](#) - Aug 01 2022

web sep 12 2023 esto se traduce en una dificultad para adherir a ellas o seguirlas de manera inmediata intereses restringidos las personas con asperger tienen islas de inteligencias es decir pueden saber mucho de un área en particular pero no saber conceptos fundamentales de otras esto constituye un perfil de persona poco usual

[el síndrome de asperger excentricidad o discapacidad social](#) - Jun 11 2023

web discapacidad el síndrome de asperger excentricidad o discapacidad síndrome de asperger vídeo dailymotion libro el síndrome de asperger excentricidad o el síndrome de asperger excentricidad o discapacidad el síndrome de asperger excentricidad o discapacidad social el síndrome de asperger excentricidad o discapacidad el

[el síndrome de asperger excentricidad o discapacidad 2022 ncf](#) - Mar 28 2022

web logopedas hablan los el síndrome de asperger excentricidad o discapacidad downloaded from ncf ec2 west 02 xconvert com by guest richard simpson a guide to asperger syndrome ediciones díaz de santos los niños incomprensidos tienen problemas en el colegio en el entorno familiar y entre sus compañeros pero no son

el síndrome de asperger excentricidad o discapacidad 2013 - Apr 09 2023

web 2 el síndrome de asperger excentricidad o discapacidad 2022 04 16 el síndrome de asperger excentricidad o discapacidad downloaded from 2013 thecontemporaryaustin org by guest gael weber el síndrome de asperger psychology press la atención a la diversidad de los alumnos es el eje principal para mejorar la calidad y la equidad del

el síndrome de asperger excentricidad o discapacidad - Jun 30 2022

web el espectro bipolar el síndrome de asperger el niño incomprensido método de cromoterapia combinada para trastornos de conducta claves psicobiológicas diagnósticas y de intervención en el autismo trastornos y dificultades del desarrollo agentes de movilidad del ayuntamiento de madrid test schizophrenia in children and adolescents

[el síndrome de asperger excentricidad o discapacidad](#) - Oct 03 2022

web el síndrome de asperger excentricidad o discapacidad recognizing the artifice ways to acquire this books el síndrome de asperger excentricidad o discapacidad is additionally useful you have remained in right site to begin getting this info get the el síndrome de asperger excentricidad o discapacidad connect that we allow here and check out the link

el síndrome de asperger excentricidad o discapacidad - Feb 24 2022

web 2 el síndrome de asperger excentricidad o discapacidad 2021 11 21 de una ciudadanía global el quinto capítulo nos introduce en los sistemas inteligentes de selección de personal con discapacidad incluyendo los distintos modelos como [elementi di chimica organica di bruice libreriatestiuniversitari it](#) - Dec 27 2021

web bruice elementi di chimica organica un testo di chimica organica pensato e scritto per studenti di corsi di laurea in

materie scientifiche che richiedono una conoscenza di base della chimica organica

elementi di chimica organica libreria universitaria - Jun 01 2022

web acquista elementi di chimica organica 9788879594226 con spedizione gratuita su libreria universitaria un libro di chimica organica da non perdere

bruce elementi di chimica organica edises - Aug 15 2023

web chimica organica un testo di chimica organica pensato e scritto per studenti di corsi di laurea in materie scientifiche che richiedono una conoscenza di base della chimica organica

elementi di chimica organica con e book paula yurkanis bruce - Aug 03 2022

web elementi di chimica organica con e book è un libro di paula yurkanis bruce pubblicato da edises acquista su feltrinelli a 40 00

elementi di chimica organica con e book paula yurkanis bruce - Dec 07 2022

web acquista online il libro elementi di chimica organica con e book di paula yurkanis bruce in offerta a prezzi imbattibili su mondadori store

amazon it elementi di chimica organica bruce paula yurkanis - Mar 10 2023

web scopri elementi di chimica organica di bruce paula yurkanis spedizione gratuita per i clienti prime e per ordini a partire da 29 spediti da amazon

elementi di chimica organica con e book paula yurkanis bruce - Jul 02 2022

web descrizione un testo di chimica organica pensato e scritto per studenti di corsi di laurea in materie scientifiche che richiedono una conoscenza di base della chimica organica il principio guida nello scrivere questo libro è stato quello di ottenere un testo che permettesse agli studenti di vedere la chimica organica come una scienza

amazon it elementi di chimica organica con e book bruce - May 12 2023

web elementi di chimica organica con e book copertina flessibile doc 1 gennaio 2017 di paula yurkanis bruce autore 4 3 84 voti visualizza tutti i formati ed edizioni copertina flessibile 38 00 8 usato da 16 27 13 nuovo da 38 00

elementi di chimica organica con e book paula yurkanis bruce - Apr 11 2023

web elementi di chimica organica con e book è un libro di paula yurkanis bruce pubblicato da edises acquista su ibs a 40 00

amazon it chimica organica con e book bruce paula - Jan 08 2023

web scopri chimica organica con e book di bruce paula yurkanis d auria maria valeria la rosa c spedizione gratuita per i clienti prime e per ordini a partire da 29 spediti da amazon

bruce elementi di chimica organica - Jun 13 2023

web un testo di chimica organica pensato e scritto per studenti di corsi di laurea in materie scientifiche che richiedono una

conoscenza di base della chimica organica laboratorio di chimica stechiometria chimica fisica chimica ambientale e geochimica fisica matematica informatica matematica e statistica

bruce chimica organica edises - Feb 09 2023

web chimica organica un testo di chimica organica che affronta gli argomenti in modo logico e che rende alcuni semplici principi unificatori il fulcro da cui comprendere la materia nella sua complessità

organic chemistry bruce pdf pdfdrive archive org - Jul 14 2023

web organic chemistry bruce pdf identifier ark ark 13960 t4zh6620d ocr abbyy finereader 11 0 extended ocr page number confidence 99 92 ppi 300 scanner internet archive html5 uploader 1 6 4 plus circle add review comment reviews there are no reviews yet be the first one to write a review

chimica organica con e book paula yurkanis bruce libro - Oct 05 2022

web chimica organica con e book è un libro di paula yurkanis bruce pubblicato da edises acquista su ibs a 71 25

elementi di chimica organica con e book bruce paula - Feb 26 2022

web elementi di chimica organica con e book bruce paula yurkanis amazon com au books

amazon it chimica organica bruce - Sep 04 2022

web 50 66 5 offerte prodotti nuovi e usati chimica organica grazie ai fogli con esagoni è l ideale per il disegno di molecole ottimo per studenti professori e chiunque lavori in laboratori ed abbia bisogno di un quaderno dedicato di modern alchemist

elementi di chimica organica con e book bruce paula - Apr 30 2022

web elementi di chimica organica con e book bruce paula yurkanis amazon pl książki książki nauka i technologia chemia kup nowe 189 01 zł darmowa dostawa 2 4 sierpnia zamów w ciągu 23 godz 22 min szczegóły wybierz adres dostawy dostępne sztuki 1 zamów teraz dodaj do koszyka kup teraz płatność bezpieczna transakcja

elementi di chimica organica bruce libri di chimica organica - Jan 28 2022

web sconto 5 prezzo sito 38 00 descrizione un testo di chimica organica pensato e scritto per studenti di corsi di laurea in materie scientifiche che richiedono una conoscenza di base della chimica organica il principio guida nello scrivere questo libro è stato quello di ottenere un testo che permettesse agli studenti di vedere la chimica

chimica organica con e book di paula yurkanis bruce - Mar 30 2022

web sono presenti numerosi approfondimenti che aiutano a comprendere l importanza della chimica organica nella vita di tutti i giorni oltre che nelle applicazioni negli ambiti specifici i due capitoli che trattano le tecniche spettrometriche e spettroscopiche sono

elementi di chimica organica con e book libreria universitaria - Nov 06 2022

web apr 10 2017 elementi di chimica organica con e book di paula yurkanis bruce bestseller in chimica organica con

spedizione gratuita 9788879599276 libreria universitaria libri universitari chimica chimica organica senza interessi con spedizione gratuita disponibilità immediata

bereavementassessmentinpalliativecarescottish download - Dec 27 2021

web care professionals providing supportive and palliative care to those with advanced illness or who are towards the end of life this third edition of the acclaimed textbook has been extensively

the risk assessment of bereavement in a palliative care setting - Sep 04 2022

web aug 6 2002 12131822 10 12968 ijpn 2002 8 6 10498 an effective bereavement risk assessment document used in a palliative care setting was identified which could ensure bereavement support for those in need be it a family or carer group

bereavement in scotland - May 12 2023

web bereavement in scotland 2 page 3 page member organisations of scottish partnership for palliative care sppc it has been developed by the scottish partnership for palliative care sppc in collaboration with those working in hospitals hospices communities policy with those responsible for planning and managing

bereavement assessment in palliative care scottish 2022 - Feb 26 2022

web guidelines for the assessment of bereavement risk in family members of people receiving palliative care palliative care a practical guide for the health professional

palliative and end of life care strategic framework for action - Dec 07 2022

web dec 18 2015 staff from health care independent and third sector organisations will be given the support they need to improve the delivery of palliative and end of life care in their sector the framework will also work to drive a new culture of openness about death dying and bereavement

scottish palliative care guidelines home - Aug 15 2023

web oct 3 2022 covid 19 our response the palliative care community will stand with those who are facing suffering related to any illness those who die during this pandemic those who face bereavement and all who provide care temporary guidelines are now available for symptom management

bereavement assessment practice in hospice settings - Aug 03 2022

web may 24 2010 bereavement assessment practice in hospice settings challenges for palliative care social workers audrey agnew roger manktelow tommy haynes louise jones the british journal of social work volume 41 issue 1 january 2011 pages 111 130 doi org 10 1093 bjsw bcq055

bereavement assessment in palliative care scottish download - Mar 30 2022

web bereavement assessment in palliative care scottish is available in our book collection an online access to it is set as public so you can get it instantly our digital library hosts in multiple locations allowing you to get the most less latency time

to download any of our books like this one

[guidance for bereavement needs assessment in palliative care](#) - Apr 11 2023

web sep 1 2010 this guide 2nd edition aims to support the assessment of need for bereavement care in adults palliative care services it presents an assessment matrix and provides detailed guidance on the organisational aspects of bringing routine systematic bereavement needs assessment procedures into everyday practice

scottish partnership for palliative care welcome - Jan 08 2023

web the scottish partnership for palliative care sppc brings together health and social care professionals from hospitals social care services primary care hospices and other charities to find ways of improving people s experiences of declining health death dying and bereavement

coping and wellbeing in bereavement two core bmc palliative care - Feb 09 2023

web mar 12 2020 bereavement support is an important part of palliative and end of life care with different levels of provision recommended to meet the varying needs of bereaved individuals 1 2 9 10 11

bereavement assessment practice in hospice settings - Jul 02 2022

web jan 20 2010 pdf the management and delivery of bereavement support services in palliative care settings present practical and ethical challenges a national find read and cite all the research you

bereavement assessment practice in hospice settings - Apr 30 2022

web jan 24 2011 melliard smith c 2002 the risk assessment of bereavement in a palliative care setting international journal of palliative nursing 8 6 pp 281 7 national health service nhs 2008 living and dying well a national action plan for palliative and end of life care in scotland edinburgh the scottish government

bereavement assessment in palliative care semantic scholar - Oct 05 2022

web an analysis of traditional and contemporary bereavement theory is offered and the use of a risk assessment tool is considered to enable health professionals to make decisions as to whether an individuals may be at risk of a complicated bereavement bereavement care is well established as an essential element of palliative care

bereavement assessment in palliative care scottish - Jan 28 2022

web april 25th 2018 what are palliative care and end of life care accurate and all round assessment of your needs nhs scotland palliative care guidelines palliative care bereavement april 8th 2018 bereavement risk assessment the victorian paediatric palliative care program is able to provide advice regarding the services available in the

bereavement assessment in palliative care scottish download - Jun 13 2023

web psychosocial palliative care bereavement care hospice and palliative care living with dying guidance for bereavement needs assessment in palliative care resilience in palliative care family focused grief therapy bereavement assessment in

palliative care scottish downloaded from app oaklandlibrary org by guest ponce desiree

bereavementassessmentinpalliativecarescottish download - Jun 01 2022

web end of life issues grief and bereavement contemporary and innovative practice in palliative care death and social policy in challenging times alexander s nursing practice enhanced palliative care a handbook for paramedics nurses and doctors

palliative care the nursing role is an introductory text for nurses and other health care

bereavement assessment in palliative care identifying those at - Jul 14 2023

web apr 8 2013 attachment bereavement grief risk assessment palliative care abstract bereavement care is well established as an essential element of palliative care however whether or not there is value in risk assessment tools to predict bereavement outcomes is open to debate

palliative and end of life care research in scotland 2006 2015 a - Mar 10 2023

web jan 26 2018 palliative care research has an essential role in informing evidence based clinical practice service development education and policy acknowledging this the scottish government included a commitment to supporting research in its national strategy for palliative and end of life care for 2016 2021 1

exploring barriers to assessment of bereavement risk in palliative care - Nov 06 2022

web oct 14 2015 background palliative care standards advocate support for grieving caregivers given that some bereaved people fail to integrate their loss experience ongoing emotional suffering and adverse health outcomes research shows that bereavement support tends to be delivered on an ad hoc basis without formal assessment of risk or