

# JUKI®

2-Needle, 2/3/4/5-Thread Overlock+Cover Stitch Sewing Machine  
Maquina de coser Sobreorilladora de 2 Aguja, 2/3/4/5 Hilos+Punto de Cobertura  
Überwendlich-Nähmaschine Mit 2 Nadeln, 2/3/4/5 Fäden+Cover Stich  
Surjeteuse-Raseuse 2 Aiguilles, 2/3/4/5 Fils+Point Enveloppant

## MO-735

Instruction Manual  
Manual de instrucciones  
Bedienungsanleitung  
Manuel d'instructions

**IMPORTANT:**

Read all safety regulations carefully and understand them before using your sewing machine. Retain this instruction manual for future reference.

**IMPORTANTE:**

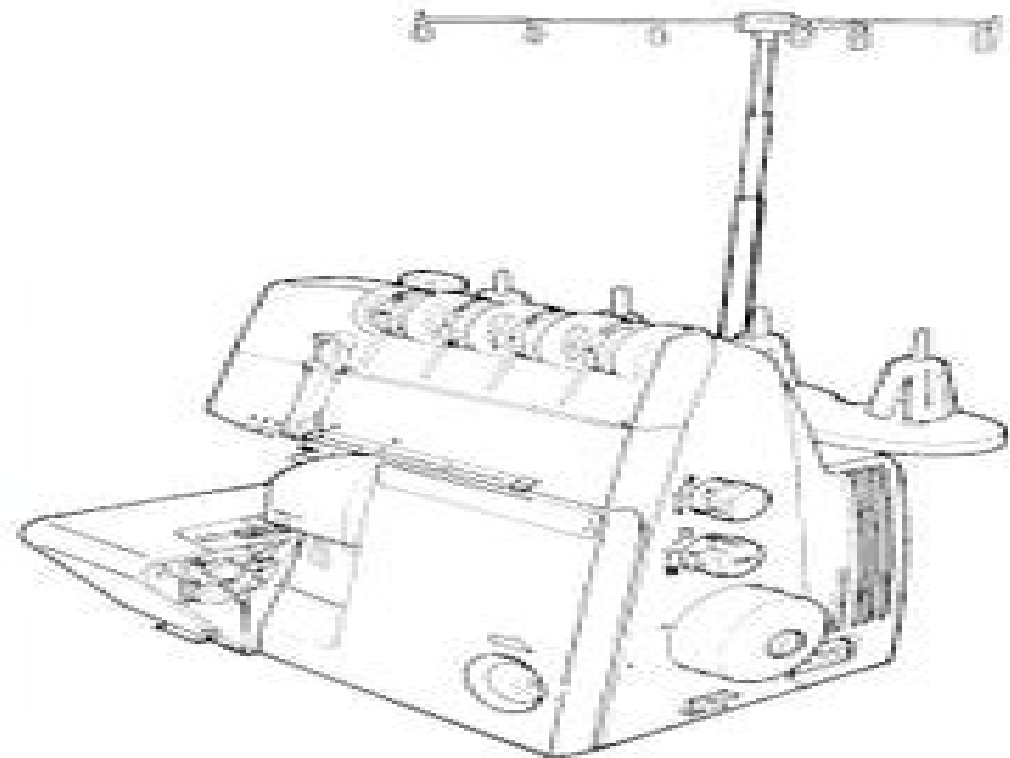
Lee cuidadosamente todas las recomendaciones con respecto a la seguridad y comprenderlas perfectamente antes de usar su maquina. Cuando este libro de instrucciones para referencias futuras.

**WICHTIG:**

Alle sicherheitsvorschriften vor gebrauch der nähmaschine sorgfältig durchlesen. Behalten Sie diese bedienungsanleitung für weitere bezüge auf.

**IMPORTANT:**

Avant de mettre la machine en marche, lire attentivement et assimiler les règles de sécurité de ce manuel. Conservez le manuel afin de pouvoir le consulter si nécessaire.



# Juki Mo 735 Instruction Manual

**ML Yell**



**Juki Mo 735 Instruction Manual:**

**Threads Magazine** ,1992      **InfoWorld** ,1984-10-01 InfoWorld is targeted to Senior IT professionals Content is segmented into Channels and Topic Centers InfoWorld also celebrates people companies and projects      **PC Mag** ,1985-10-15 PCMag com is a leading authority on technology delivering Labs based independent reviews of the latest products and services Our expert industry analysis and practical solutions help you make better buying decisions and get more from technology      *InfoWorld* ,1984      Yamaha ,1974\*      **Psrx35** Boots PLC.,1994

Thank you unconditionally much for downloading **Juki Mo 735 Instruction Manual**. Maybe you have knowledge that, people have seen numerous periods for their favorite books in the same way as this Juki Mo 735 Instruction Manual, but end stirring in harmful downloads.

Rather than enjoying a fine book like a mug of coffee in the afternoon, then again they juggled in imitation of some harmful virus inside their computer. **Juki Mo 735 Instruction Manual** is reachable in our digital library an online admission to it is set as public suitably you can download it instantly. Our digital library saves in merged countries, allowing you to acquire the most less latency period to download any of our books in the manner of this one. Merely said, the Juki Mo 735 Instruction Manual is universally compatible taking into account any devices to read.

[https://www.splashdogs.com/About/publication/Download\\_PDFS/Konica\\_Model\\_Df\\_314\\_Service\\_Repair\\_Manual\\_Parts\\_Catalog.pdf](https://www.splashdogs.com/About/publication/Download_PDFS/Konica_Model_Df_314_Service_Repair_Manual_Parts_Catalog.pdf)

## **Table of Contents Juki Mo 735 Instruction Manual**

1. Understanding the eBook Juki Mo 735 Instruction Manual
  - The Rise of Digital Reading Juki Mo 735 Instruction Manual
  - Advantages of eBooks Over Traditional Books
2. Identifying Juki Mo 735 Instruction Manual
  - Exploring Different Genres
  - Considering Fiction vs. Non-Fiction
  - Determining Your Reading Goals
3. Choosing the Right eBook Platform
  - Popular eBook Platforms
  - Features to Look for in an Juki Mo 735 Instruction Manual
  - User-Friendly Interface
4. Exploring eBook Recommendations from Juki Mo 735 Instruction Manual
  - Personalized Recommendations

- 
- Juki Mo 735 Instruction Manual User Reviews and Ratings
  - Juki Mo 735 Instruction Manual and Bestseller Lists
5. Accessing Juki Mo 735 Instruction Manual Free and Paid eBooks
    - Juki Mo 735 Instruction Manual Public Domain eBooks
    - Juki Mo 735 Instruction Manual eBook Subscription Services
    - Juki Mo 735 Instruction Manual Budget-Friendly Options
  6. Navigating Juki Mo 735 Instruction Manual eBook Formats
    - ePub, PDF, MOBI, and More
    - Juki Mo 735 Instruction Manual Compatibility with Devices
    - Juki Mo 735 Instruction Manual Enhanced eBook Features
  7. Enhancing Your Reading Experience
    - Adjustable Fonts and Text Sizes of Juki Mo 735 Instruction Manual
    - Highlighting and Note-Taking Juki Mo 735 Instruction Manual
    - Interactive Elements Juki Mo 735 Instruction Manual
  8. Staying Engaged with Juki Mo 735 Instruction Manual
    - Joining Online Reading Communities
    - Participating in Virtual Book Clubs
    - Following Authors and Publishers Juki Mo 735 Instruction Manual
  9. Balancing eBooks and Physical Books Juki Mo 735 Instruction Manual
    - Benefits of a Digital Library
    - Creating a Diverse Reading Collection Juki Mo 735 Instruction Manual
  10. Overcoming Reading Challenges
    - Dealing with Digital Eye Strain
    - Minimizing Distractions
    - Managing Screen Time
  11. Cultivating a Reading Routine Juki Mo 735 Instruction Manual
    - Setting Reading Goals Juki Mo 735 Instruction Manual
    - Carving Out Dedicated Reading Time
  12. Sourcing Reliable Information of Juki Mo 735 Instruction Manual
    - Fact-Checking eBook Content of Juki Mo 735 Instruction Manual

- 
- Distinguishing Credible Sources
13. Promoting Lifelong Learning
    - Utilizing eBooks for Skill Development
    - Exploring Educational eBooks
  14. Embracing eBook Trends
    - Integration of Multimedia Elements
    - Interactive and Gamified eBooks

## **Juki Mo 735 Instruction Manual Introduction**

Free PDF Books and Manuals for Download: Unlocking Knowledge at Your Fingertips In today's fast-paced digital age, obtaining valuable knowledge has become easier than ever. Thanks to the internet, a vast array of books and manuals are now available for free download in PDF format. Whether you are a student, professional, or simply an avid reader, this treasure trove of downloadable resources offers a wealth of information, conveniently accessible anytime, anywhere. The advent of online libraries and platforms dedicated to sharing knowledge has revolutionized the way we consume information. No longer confined to physical libraries or bookstores, readers can now access an extensive collection of digital books and manuals with just a few clicks. These resources, available in PDF, Microsoft Word, and PowerPoint formats, cater to a wide range of interests, including literature, technology, science, history, and much more. One notable platform where you can explore and download free Juki Mo 735 Instruction Manual PDF books and manuals is the internet's largest free library. Hosted online, this catalog compiles a vast assortment of documents, making it a veritable goldmine of knowledge. With its easy-to-use website interface and customizable PDF generator, this platform offers a user-friendly experience, allowing individuals to effortlessly navigate and access the information they seek. The availability of free PDF books and manuals on this platform demonstrates its commitment to democratizing education and empowering individuals with the tools needed to succeed in their chosen fields. It allows anyone, regardless of their background or financial limitations, to expand their horizons and gain insights from experts in various disciplines. One of the most significant advantages of downloading PDF books and manuals lies in their portability. Unlike physical copies, digital books can be stored and carried on a single device, such as a tablet or smartphone, saving valuable space and weight. This convenience makes it possible for readers to have their entire library at their fingertips, whether they are commuting, traveling, or simply enjoying a lazy afternoon at home. Additionally, digital files are easily searchable, enabling readers to locate specific information within seconds. With a few keystrokes, users can search for keywords, topics, or phrases, making research and finding relevant information a breeze. This efficiency saves time and effort, streamlining the learning process and allowing individuals to focus on extracting the

information they need. Furthermore, the availability of free PDF books and manuals fosters a culture of continuous learning. By removing financial barriers, more people can access educational resources and pursue lifelong learning, contributing to personal growth and professional development. This democratization of knowledge promotes intellectual curiosity and empowers individuals to become lifelong learners, promoting progress and innovation in various fields. It is worth noting that while accessing free Juki Mo 735 Instruction Manual PDF books and manuals is convenient and cost-effective, it is vital to respect copyright laws and intellectual property rights. Platforms offering free downloads often operate within legal boundaries, ensuring that the materials they provide are either in the public domain or authorized for distribution. By adhering to copyright laws, users can enjoy the benefits of free access to knowledge while supporting the authors and publishers who make these resources available. In conclusion, the availability of Juki Mo 735 Instruction Manual free PDF books and manuals for download has revolutionized the way we access and consume knowledge. With just a few clicks, individuals can explore a vast collection of resources across different disciplines, all free of charge. This accessibility empowers individuals to become lifelong learners, contributing to personal growth, professional development, and the advancement of society as a whole. So why not unlock a world of knowledge today? Start exploring the vast sea of free PDF books and manuals waiting to be discovered right at your fingertips.

### **FAQs About Juki Mo 735 Instruction Manual Books**

How do I know which eBook platform is the best for me? Finding the best eBook platform depends on your reading preferences and device compatibility. Research different platforms, read user reviews, and explore their features before making a choice. Are free eBooks of good quality? Yes, many reputable platforms offer high-quality free eBooks, including classics and public domain works. However, make sure to verify the source to ensure the eBook credibility. Can I read eBooks without an eReader? Absolutely! Most eBook platforms offer webbased readers or mobile apps that allow you to read eBooks on your computer, tablet, or smartphone. How do I avoid digital eye strain while reading eBooks? To prevent digital eye strain, take regular breaks, adjust the font size and background color, and ensure proper lighting while reading eBooks. What the advantage of interactive eBooks? Interactive eBooks incorporate multimedia elements, quizzes, and activities, enhancing the reader engagement and providing a more immersive learning experience. Juki Mo 735 Instruction Manual is one of the best book in our library for free trial. We provide copy of Juki Mo 735 Instruction Manual in digital format, so the resources that you find are reliable. There are also many Ebooks of related with Juki Mo 735 Instruction Manual. Where to download Juki Mo 735 Instruction Manual online for free? Are you looking for Juki Mo 735 Instruction Manual PDF? This is definitely going to save you time and cash in something you should think about. If you trying to find then search around for

online. Without a doubt there are numerous these available and many of them have the freedom. However without doubt you receive whatever you purchase. An alternate way to get ideas is always to check another Juki Mo 735 Instruction Manual. This method for see exactly what may be included and adopt these ideas to your book. This site will almost certainly help you save time and effort, money and stress. If you are looking for free books then you really should consider finding to assist you try this. Several of Juki Mo 735 Instruction Manual are for sale to free while some are payable. If you arent sure if the books you would like to download works with for usage along with your computer, it is possible to download free trials. The free guides make it easy for someone to free access online library for download books to your device. You can get free download on free trial for lots of books categories. Our library is the biggest of these that have literally hundreds of thousands of different products categories represented. You will also see that there are specific sites catered to different product types or categories, brands or niches related with Juki Mo 735 Instruction Manual. So depending on what exactly you are searching, you will be able to choose e books to suit your own need. Need to access completely for Campbell Biology Seventh Edition book? Access Ebook without any digging. And by having access to our ebook online or by storing it on your computer, you have convenient answers with Juki Mo 735 Instruction Manual To get started finding Juki Mo 735 Instruction Manual, you are right to find our website which has a comprehensive collection of books online. Our library is the biggest of these that have literally hundreds of thousands of different products represented. You will also see that there are specific sites catered to different categories or niches related with Juki Mo 735 Instruction Manual So depending on what exactly you are searching, you will be able to choose ebook to suit your own need. Thank you for reading Juki Mo 735 Instruction Manual. Maybe you have knowledge that, people have search numerous times for their favorite readings like this Juki Mo 735 Instruction Manual, but end up in harmful downloads. Rather than reading a good book with a cup of coffee in the afternoon, instead they juggled with some harmful bugs inside their laptop. Juki Mo 735 Instruction Manual is available in our book collection an online access to it is set as public so you can download it instantly. Our digital library spans in multiple locations, allowing you to get the most less latency time to download any of our books like this one. Merely said, Juki Mo 735 Instruction Manual is universally compatible with any devices to read.

### **Find Juki Mo 735 Instruction Manual :**

**[konica model df 314 service repair manual parts catalog](#)**

[kraft crab melt recipe](#)

[krone service manual](#)

[ktm 125 sx 2015 service manual](#)

[ktm 2006 sx 250 service repair manual](#)



**krups 3mix 40manual**

[ktm 125 sx workshop manual 2012](#)

*ktm 50 repair manual for mac*

[konica minolta maxxum 5d repair](#)

~~[ktm 450 xcw replacement parts manual 2009](#)~~

[ktm 85 sx repair manual 2015](#)

*ktm 640 lc4 adventure r duke 1998 2003 service repair manual*

[ktm 50 sx pro junior service manual 2008](#)

*ksb make multistage boiler feed pumps manual*

**ktm 300 xcw service manual**

**Juki Mo 735 Instruction Manual :**

**work and organizational behaviour understanding the workplace** - Nov 06 2022

web mar 16 2010 discover for yourself in this fascinating introduction to organizational behaviour written by leading experts work and organizational behaviour offers great value for money and has already

**chapter 1 what is organizational behavior organizational behaviour** - Aug 03 2022

web organizational behaviour ob is the study of how people think feel and behave individually or in groups within organizations

**work and organizational behaviour understanding the workplace goodreads** - Jun 13 2023

web jun 1 2007 3 74 27 ratings0 reviews ever wondered what really motivates people why bad decisions get made or what the latest blockbuster movie can tell you about leadership discover for yourself in this fascinating introduction to organizational behaviour

**work and organizational behaviour understanding the workplace** - Apr 30 2022

web apr 15 2010 work and organizational behaviour 91 24 2 only 1 left in stock ever wondered what really motivates people why bad decisions get made or what the latest blockbuster movie can tell you about leadership discover for yourself in this fascinating introduction to organizational behaviour

*1 4 a model of organizational behavior and management* - Jan 08 2023

web what is organizational behaviour the focus is on applying what we can learn from the social and behavioral sciences so we can better understand and predict human behavior at work we examine such behavior on three levels the individual the group and the organization as a whole

---

**organizational behaviour understanding and managing life at work** - Sep 04 2022

web organizational behaviour 7th edition is a research based text that provides a balanced approach of theory and applications this text combines comprehensive coverage with engaging features clearly presented theory is supported by real world cases discussion questions and experiential exercises

**ch 1 introduction organizational behavior openstax** - Dec 07 2022

web 10 understanding and managing work teams introduction 10 1 teamwork in the workplace 10 2 team development over time to deal with organizational politics and to work to develop both employees and the organization as a whole these issues constitute the subject of this course we shall examine principles of the behavioral

*1 2 understanding organizational behavior organizational* - Oct 05 2022

web this book is about people at work organizations come in many shapes and sizes organizational behavior is the systematic study and application of knowledge about how individuals and groups act within the organizations where they work ob matters for your career and successful companies tend to employ effective ob practices

*what is organizational behavior and why is it important* - Dec 27 2021

web aug 31 2022 this is essentially what organizational behavior is all about organizational behavior describes the behavioral dynamics that occur between groups and individuals in an organizational setting the following five elements are key to studying organizational behavior people structure

*organizational behavior wikipedia* - Feb 26 2022

web organizational behavior or organisational behaviour see spelling differences is the study of human behavior in organizational settings the interface between human behavior and the organization and the organization itself 1 organizational behavioral research can be categorized in at least three ways 2

**chapter 3 understanding people at work individual differences** - Mar 30 2022

web understand the role of values in determining work behaviours explain the process of perception and how it affects work behaviours understand how individual differences affect ethics understand cross cultural influences on

**work and organizational behaviour understanding the workplace** - Mar 10 2023

web apr 15 2010 dr christian waldstrm aarhus school of business denmark work and organisational behaviour is a groundbreaking book that bridges the gap between mainstream organisational behaviour texts and more critical sociological accounts of work it includes a host of illuminating examples and reflective exercises as well as a useful

*work and organizational behaviour understanding the workplace* - Aug 15 2023

web apr 15 2007 work and organizational behaviour is a brand new core text for undergraduate and mba students taking an introductory course in organizational behaviour it provides both a psychologically and

---

organizational behavior oxford research encyclopedia of - May 12 2023

web organizational behavior ob is a discipline that includes principles from psychology sociology and anthropology its focus is on understanding how people behave in organizational work environments broadly speaking ob covers three main levels of analysis micro individuals meso groups and macro the organization

**organizational behaviour understanding and managing life at work** - Feb 09 2023

web sep 22 2015 organizational behaviour understanding and managing life at work gary johns alan m saks pearson education sep 22 2015 business economics 720 pages

organizational behaviour understanding and managing life at work - Jan 28 2022

web aug 31 2022 organizational behaviour understanding and managing life at work 12th edition published by pearson canada august 30 2022 2023 gary johns concordia university alan m saks university of toronto

*what is organizational behavior forbes advisor* - Jul 02 2022

web may 24 2023 organizational behavior ob is the study of how individuals groups and organizations interact and influence one another though it is largely used within the field of business management as

organizational behaviour and work paperback fiona m - Jun 01 2022

web the most critical yet accessible introduction to work and organizational behaviour provides a concise introduction to organizational behaviour which is critical yet accessible in its approach and ideal for those new to the subject challenges students to re examine and question traditional views on organizational life and to use their

work and organizational behaviour understanding the workplace - Jul 14 2023

web english xli 548 pages 28 cm ideal for undergraduate and mba students taking an introductory course in organizational behaviour this title provides both a psychologically and sociologically based view of behaviour in work organizations from a critical perspective includes bibliographical references and index

**work and organizational behaviour understanding the workplace** - Apr 11 2023

web apr 13 2007 work and organizational behaviour is a brand new core text for undergraduate and mba students taking an introductory course in organizational behaviour it provides both a psychologically and sociologically based view of behaviour in work organisations from a critical perspective

**steuerung und regelung der turboflugtriebwerke te** - Mar 01 2022

maschinenkomponenten an ingenieure und techniker die an der entwicklung und fertigung von gasturbinen arbeiten ebenso sind die studenten der werkstofftechnik der

**steuerung und regelung der turboflugtriebwerke te** - Jul 05 2022

manuelle steuerung und regelung eines kabelgebundenen flugobjektes nichtlineare strukturelle regelung angewandt auf

stellsysteme der flugsteuerung airplane flight

steuerung und regelung der turboflugtriebwerke te - Jan 31 2022

apr 4 2023 steuerung und regelung der turboflugtriebwerke klaus bauerfeind 2013 03 07 das buch gibt einen gesamtüberblick über das fachgebiet der steuerung und regelung

**steuerung und regelung der turboflugtriebwerke te** - Aug 18 2023

may 16 2023 steuerung und regelung der turboflugtriebwerke te 1 10 downloaded from uniport edu ng on may 16 2023 by guest steuerung und regelung der

steuerung und regelung der turboflugtriebwerke te pdf - Dec 30 2021

may 1 2023 steuerung und regelung der turboflugtriebwerke te 2 10 downloaded from uniport edu ng on may 1 2023 by guest well completion design jonathan bellarby 2009 04

**steuerung und regelung der turboflugtriebwerke te** - Nov 28 2021

**steuerung und regelung der turboflugtriebwerke te pdf** - Mar 13 2023

eine sinnvolle beschäftigung mit der steuerung und regelung der turboflugtriebwerke setzt eine kenntnis der arbeitsweise seiner komponenten im aero thermodynamischen

wie funktioniert eine flugzeugturbine flugblatt magazin - May 03 2022

steuerung und regelung der turboflugtriebwerke te 3 3 deutsche nationalbibliographie und bibliographie der im ausland erschienenen deutschsprachigen veröffentlichungen springer

**das turboflugtriebwerk als regelstrecke springerlink** - Feb 12 2023

ein strahltriebwerk ist in der heutigen form fast immer ein turbinen luftstrahltriebwerk im gegensatz zum staustrahltriebwerk oder dem heute nicht mehr gebräuchlichen

steuerung und regelung der turboflugtriebwerke te pdf - Dec 10 2022

steuerung und regelung der turboflugtriebwerke te downloaded from videos bookbrush com by guest nylah sage basic research and technologies for two

**uÇak bakim megep meb gov tr** - Oct 08 2022

bei der mtu steuert sie den redaktionellen prozess des aeroreport s und ist zuständig für die konzeption und entwicklung der inhalte luftfahrtantriebe sind technologische produkte

**steuerung und regelung der turboflugtriebwerke** - Sep 19 2023

handbuch der internationalen dokumentation und information steuerung und regelung der turboflugtriebwerke te downloaded from graph safehousetech com by guest grant

---

**steuerung und regelung der turboflugtriebwerke te** - Nov 09 2022

değer de bir Çekilde deđiGecektir eđer pistona mekanik enerji uygulanırsa yine aynı sonuç alınır piston silindir içindeki havayı sıkıÇtıracak yönde hareket ederse kapalı hacimdeki havanın

*steuer und regelungskonzepte der turboflugtriebwerke* - May 15 2023

summary das buch gibt einen gesamtüberblick über das fachgebiet der steuerung und regelung von turboflugtriebwerken die verschiedenen triebwerkbauformen und ihre

**steuerung und regelung der turboflugtriebwerke worldcat org** - Apr 14 2023

jun 14 2023 steuerung und regelung der turboflugtriebwerke te 2 15 downloaded from uniport edu ng on june 14 2023 by guest two sample problem which is both conceptually

**turbinen strahltriebwerk wikipedia** - Jan 11 2023

mar 23 2023 steuerung und regelung der turboflugtriebwerke te 1 9 downloaded from uniport edu ng on march 23 2023 by guest steuerung und regelung der

*steuerung und regelung der turboflugtriebwerke te* - Jun 04 2022

Ähnlich in form und funktion eine turbine sieht ein bisschen aus wie die spritzdüse eines gartenschlauchs dadurch steigt der druck mit dem die luft durch die turbine strömt um ihn

**turboelektrischer antrieb wikipedia** - Aug 06 2022

steuerung und regelung der turboflugtriebwerke te 1 steuerung und regelung der turboflugtriebwerke te das schweizer buch verzeichnis lieferbarer bücher compressor

**steuerung und regelung der turboflugtriebwerke te** - Apr 02 2022

2 steuerung und regelung der turboflugtriebwerke te 2019 08 05 steuerung und regelung der turboflugtriebwerke te downloaded from ol wise edu jo by guest gemma

**steuerung und regelung der turboflugtriebwerke te** - Jun 16 2023

bauerfeind k 1999 steuer und regelungskonzepte der turboflugtriebwerke in steuerung und regelung der turboflugtriebwerke technik der turboflugtriebwerke birkhäuser

**steuerung und regelung der turboflugtriebwerke te pdf** - Jul 17 2023

steuerung und regelung der turboflugtriebwerke te downloaded from seminary fbny org by guest richard whitehead elements of gas turbine propulsion springer verlag this

**wie funktioniert ein turbofan triebwerk mtu aeroreport** - Sep 07 2022

turboelektrischer antrieb elektrischer pod antrieb zur kombination in einem diesel oder turboelektrischen antrieb von schiffen als turboelektrischer antrieb wird ein antriebssystem

---

**first day of school what parents teachers should know** - Nov 05 2022

web aug 27 2021 aug 27 2021 at 3 22 p m first day of school what to know more read books about the excitement that comes with being in a classroom such as oh the

*2021 2022 school calendar whole year enka* - Aug 14 2023

web 30 august victory day 01 september first day of school 01 september 12 november 1st half of 1st semester 29 october republic day 15 19 november mid term break 22

*the first 20 days common core edition international literacy* - Jul 13 2023

web approach the first month of school consists of about 20 instructional days that serve as students gateway to the disciplinary knowledge they are expected to learn these first

turkey school holidays in 2023 full list edarabia - Aug 02 2022

web first day of school nov 14 18 2022 jan 23 feb 3 2023 winter holidays apr 17 20 2023 semester 2 holidays jun 19 sep 8 2023 summer holidays what are the

**okullar ne zaman açılacak 2021 2022 yılının 1 dönem milliyet** - Sep 03 2022

web jul 14 2021 milli eğitim bakanlığı 2021 2022 eğitim yılının başlangıç ve bitiş tarihlerini belirledi milyonlarca öğrenci okullar ne zaman açılacak sorusuna yöneldi

*calendars İstanbul enka schools* - Oct 04 2022

web important dates pre school calendar primary school calendar middle school calendar high school calendar facebook twitter linkedin instagram youtube enka store

implementation guide overview effective teaching - Jan 27 2022

web first days of the year important facts o successful teachers have a script or a plan ready for the first day of school o the most important thing to establish in the first week of

**review routines the first 15 20 days of benchmark** - Mar 09 2023

web the lessons included in the review and routines teach the students classroom routines reading strategies writing strategies and procedures for workstations note in some

**first 20 days writing workshop for the love of teachers** - Mar 29 2022

web 1 explain to students there are several types of activities you will be doing this year during ww mini lesson 10 15 minutes individual writing 35 40 minutes most will follow the

**17 awesome first day of school activities for elementary** - Apr 29 2022

web jul 26 2023 17 awesome first day of school activities for elementary published on july 26 2023 missi make the first day of school a success using these engaging first

**20 fun first day of school activities for elementary classrooms** - Dec 06 2022

web jul 29 2022 first day of school activities are a great way to break the ice you can get to know your students while they learn about each other these activities can also make

**20 first day of school traditions your students will love** - Nov 24 2021

web aug 20 2018 20 first day of school traditions your students will love make great memories right from the start by jill staake aug 20 2018 we asked our facebook

**2022 2023 eĞitim ÖĖretİM yili İlkokul haftalik ders** - Sep 22 2021

web 2022 2023 eĞitim ÖĖretİM yili İlkokul haftalik ders programi sinif 1a sinif ÖĖretmenİ elif buket demİrcİ bu program 05 09 2022 tarihinden itibaren

*pelican marsh elementary nurse saves school resource officer* - Jun 19 2021

web 22 hours ago collier county fla on aug 10 the first day of school across collier county the staff at pelican marsh elementary were forced into immediate life

**oklahoma elementary school hires drag queen as principal** - Jul 21 2021

web sep 9 2023 a superintendent of an oklahoma school district is calling for the immediate termination of a recently hired elementary school principal who performs as a drag

**12 fun first day of school worksheets free printables** - Jan 07 2023

web jul 27 2023 check out these 12 fun and easy free printable first day of school worksheets from classmate bingo to a first day of school flip book there s

**first day tips for new elementary school teachers edutopia** - Feb 08 2023

web jul 26 2022 without a doubt the first day is the most important day of the school year it s the day teachers begin to introduce rules establish routines practice procedures

**28 first day of school activities to start the school year off right** - Jul 01 2022

web jul 28 2023 the first day of school can come with lots of excitement and often a bit of the jitters it s the start of a fresh academic year with new challenges and loads of learning

**results for first 20 days tpt** - Dec 26 2021

web consider your first 20 days of school planned and prepped are you feeling nervous or anxious about heading back to the classroom this year maybe this is your first year

getting started the first 20 days independent - May 31 2022

web getting started the first 20 days of independent reading ore than anything else establishing rou tines and procedures for managing inde pendent reading

**kamilla von weissenberg pinterest** - Oct 24 2021

web sep 14 2020 explore brigid desrochers s board the first 20 days followed by 217 people on pinterest see more ideas about beginning of school teaching school activities

**length of school year school day varies by state pew research** - Aug 22 2021

web sep 7 2023 in pennsylvania for example the minimum length for a school day is 2 5 hours for kindergarten 5 hours for first through eighth grades and 5 5 hours for ninth

*it was the first day of school on p e i for thousands of students* - May 19 2021

web sep 7 2023 students across the province headed back to the classroom today for the first day of school on the island cbc stopped by elm street elementary school in

**turkey school holidays 2023 and 2024 public holidays me** - Jun 12 2023

web school holidays starts finishes first day of school 11 sep 2023 mon semester 1 holidays 13 nov 2023 mon 17 nov 2023 fri winter holidays 22 jan 2024 mon 2

**results for first 20 days of school tpt** - Feb 25 2022

web the first 20 days of math and literacy all in one handy bundle newly updated for the 2023 2024 school year and including digital activities for online or

j f k assassination witness breaks his silence and raises new - Apr 17 2021

web sep 9 2023 mr landis left the secret service six months after the assassination amir hamja the new york times at the first shot mr landis turned to look over his right

results for first 20 days of school tpt - Apr 10 2023

web you can use these suggested anchor charts during your first 20 days of language arts instruction and or to set your reading and writing routines they do follow benchmark ad

the school year and school day turkey angloinfo - May 11 2023

web the school week runs from monday to friday with a total of 35 to 40 hours the school day usually begins at 08 30 and ends at 16 30 it is divided by a lunch break from 12 00 to