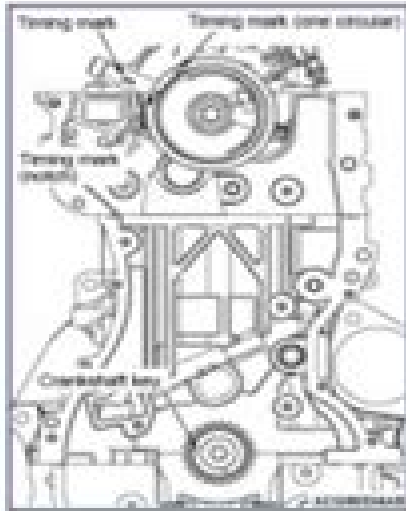
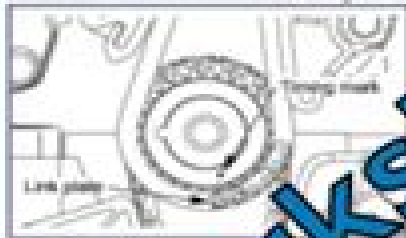


Mitsubishi RVR 2020-2024 Workshop Manual

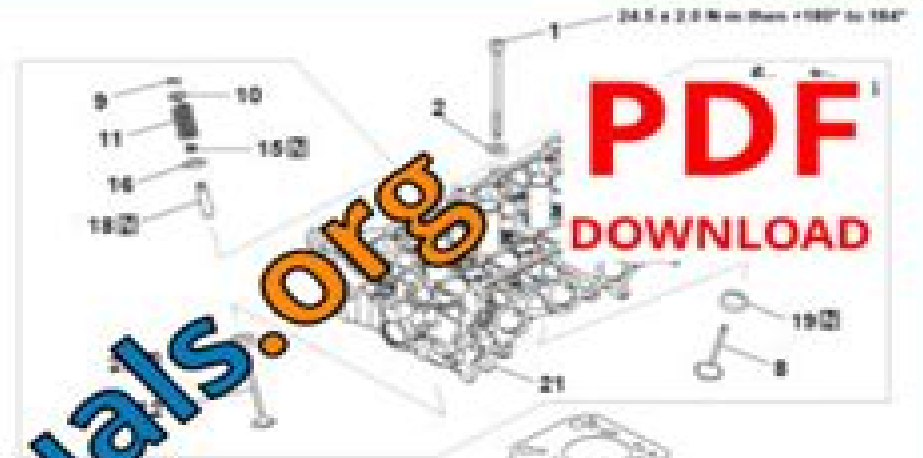
▶▶A◀◀ TIMING CHAIN / TIMING CHAIN GUIDE / TENSIONER LEVER INSTALLATION



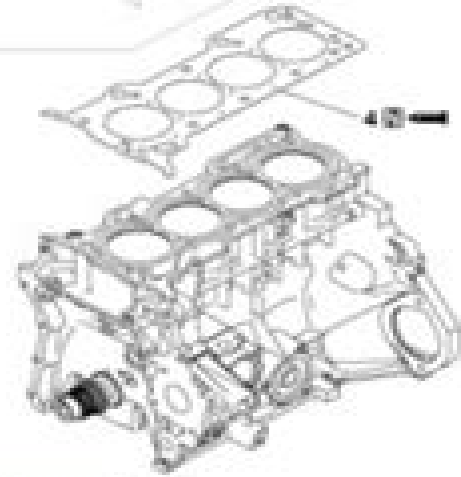
1. Align the timing mark of the rocker arm sprocket with the timing mark (notch) of the V.V.T. sprocket.
2. Align the crankshaft sprocket with the indicated positions.



1. Align the timing mark of the crankshaft sprocket with the link pin (blue) to loop the timing chain.



Apply engine oil to all moving parts before installation.



1. Install the special tool magnet base plate (M1992054) to the upper face of the cylinder head at the inlet side.

Workshopmanuals.org

Mitsubishi Rvr Owner Manual

Terry C. Jones



Mitsubishi Rvr Owner Manual:

2022 Mitsubishi Outlander Sport Owner Manual Compatible with OEM Owners Manual, Factory Glovebox Book Helming,2022-01-13 *2021 Mitsubishi Outlander Sport Owner Manual Compatible with OEM Owners Manual, Factory Glovebox Book* Helming,2021-04-11 **2020 Mitsubishi Outlander Sport Owner Manual Compatible with OEM Owners Manual, Factory Glovebox Book** Helming,2020-01-14 **2015 Mitsubishi Outlander Sport Owner Manual Compatible with OEM Owners Manual, Factory Glovebox Book** Helming,2015-01-27 **2018 Mitsubishi Outlander Sport Owner Manual Compatible with OEM Owners Manual, Factory Glovebox Book** Helming,2018-01-28 **2020 Mitsubishi Outlander Owner Manual Compatible with OEM Owners Manual, Factory Glovebox Book** Helming,2020-06-06 *2019 Mitsubishi Eclipse Cross Owner Manual Compatible with OEM Owners Manual, Factory Glovebox Book* Helming,2019-02-10 **2017 Mitsubishi Outlander Owner Manual Compatible with OEM Owners Manual, Factory Glovebox Book** Helming,2017-03-14 *Moody's International Manual* ,1997 *2021 Mitsubishi Outlander Owner Manual Compatible with OEM Owners Manual, Factory Glovebox Book* Helming,2021-07-23 *2018 Mitsubishi Outlander PHEV Owner Manual Compatible with OEM Owners Manual, Factory Glovebox Book* Helming,2018-03-10 *2020 Mitsubishi Outlander PHEV Owner Manual Compatible with OEM Owners Manual, Factory Glovebox Book* Helming,2020-01-07 **2019 Mitsubishi Outlander PHEV Owner Manual Compatible with OEM Owners Manual, Factory Glovebox Book** Helming,2019-10-10 **Owner Manual for 2018 Mitsubishi Outlander, Owner's Manual Factory Glovebox Book** Helming,2018-05-16 **2021 Mitsubishi Outlander PHEV Owner Manual Compatible with OEM Owner's Manual, Factory Glovebox Book** Helming,2021-01-29 **2016 Mitsubishi Outlander Owner Manual Compatible with OEM Owners Manual, Factory Glovebox Book** Helming,2016-05-04 *2022 Mitsubishi Outlander Owner Manual Compatible with OEM Owners Manual, Factory Glovebox Book* Helming,2022-05-11 **2019 Mitsubishi Outlander Owner Manual Compatible with OEM Owners Manual, Factory Glovebox Book** Helming,2019-08-15 **2014 Mitsubishi Outlander Owner Manual Compatible with OEM Owners Manual, Factory Glovebox Book** Helming,2014-04-05 **2015 Mitsubishi Outlander Owner Manual Compatible with OEM Owners Manual, Factory Glovebox Book** Helming,2015-08-03

Recognizing the showing off ways to get this ebook **Mitsubishi Rvr Owner Manual** is additionally useful. You have remained in right site to begin getting this info. get the Mitsubishi Rvr Owner Manual join that we have enough money here and check out the link.

You could buy guide Mitsubishi Rvr Owner Manual or acquire it as soon as feasible. You could quickly download this Mitsubishi Rvr Owner Manual after getting deal. So, next you require the ebook swiftly, you can straight get it. Its in view of that unquestionably easy and thus fats, isnt it? You have to favor to in this proclaim

https://www.splashdogs.com/data/detail/Download_PDFS/la%20nuit%20des%20loups.pdf

Table of Contents Mitsubishi Rvr Owner Manual

1. Understanding the eBook Mitsubishi Rvr Owner Manual
 - The Rise of Digital Reading Mitsubishi Rvr Owner Manual
 - Advantages of eBooks Over Traditional Books
2. Identifying Mitsubishi Rvr Owner Manual
 - Exploring Different Genres
 - Considering Fiction vs. Non-Fiction
 - Determining Your Reading Goals
3. Choosing the Right eBook Platform
 - Popular eBook Platforms
 - Features to Look for in an Mitsubishi Rvr Owner Manual
 - User-Friendly Interface
4. Exploring eBook Recommendations from Mitsubishi Rvr Owner Manual
 - Personalized Recommendations
 - Mitsubishi Rvr Owner Manual User Reviews and Ratings
 - Mitsubishi Rvr Owner Manual and Bestseller Lists
5. Accessing Mitsubishi Rvr Owner Manual Free and Paid eBooks

- Mitsubishi Rvr Owner Manual Public Domain eBooks
- Mitsubishi Rvr Owner Manual eBook Subscription Services
- Mitsubishi Rvr Owner Manual Budget-Friendly Options
- 6. Navigating Mitsubishi Rvr Owner Manual eBook Formats
 - ePub, PDF, MOBI, and More
 - Mitsubishi Rvr Owner Manual Compatibility with Devices
 - Mitsubishi Rvr Owner Manual Enhanced eBook Features
- 7. Enhancing Your Reading Experience
 - Adjustable Fonts and Text Sizes of Mitsubishi Rvr Owner Manual
 - Highlighting and Note-Taking Mitsubishi Rvr Owner Manual
 - Interactive Elements Mitsubishi Rvr Owner Manual
- 8. Staying Engaged with Mitsubishi Rvr Owner Manual
 - Joining Online Reading Communities
 - Participating in Virtual Book Clubs
 - Following Authors and Publishers Mitsubishi Rvr Owner Manual
- 9. Balancing eBooks and Physical Books Mitsubishi Rvr Owner Manual
 - Benefits of a Digital Library
 - Creating a Diverse Reading Collection Mitsubishi Rvr Owner Manual
- 10. Overcoming Reading Challenges
 - Dealing with Digital Eye Strain
 - Minimizing Distractions
 - Managing Screen Time
- 11. Cultivating a Reading Routine Mitsubishi Rvr Owner Manual
 - Setting Reading Goals Mitsubishi Rvr Owner Manual
 - Carving Out Dedicated Reading Time
- 12. Sourcing Reliable Information of Mitsubishi Rvr Owner Manual
 - Fact-Checking eBook Content of Mitsubishi Rvr Owner Manual
 - Distinguishing Credible Sources
- 13. Promoting Lifelong Learning
 - Utilizing eBooks for Skill Development

- Exploring Educational eBooks
- 14. Embracing eBook Trends
 - Integration of Multimedia Elements
 - Interactive and Gamified eBooks

Mitsubishi Rvr Owner Manual Introduction

In this digital age, the convenience of accessing information at our fingertips has become a necessity. Whether its research papers, eBooks, or user manuals, PDF files have become the preferred format for sharing and reading documents. However, the cost associated with purchasing PDF files can sometimes be a barrier for many individuals and organizations. Thankfully, there are numerous websites and platforms that allow users to download free PDF files legally. In this article, we will explore some of the best platforms to download free PDFs. One of the most popular platforms to download free PDF files is Project Gutenberg. This online library offers over 60,000 free eBooks that are in the public domain. From classic literature to historical documents, Project Gutenberg provides a wide range of PDF files that can be downloaded and enjoyed on various devices. The website is user-friendly and allows users to search for specific titles or browse through different categories. Another reliable platform for downloading Mitsubishi Rvr Owner Manual free PDF files is Open Library. With its vast collection of over 1 million eBooks, Open Library has something for every reader. The website offers a seamless experience by providing options to borrow or download PDF files. Users simply need to create a free account to access this treasure trove of knowledge. Open Library also allows users to contribute by uploading and sharing their own PDF files, making it a collaborative platform for book enthusiasts. For those interested in academic resources, there are websites dedicated to providing free PDFs of research papers and scientific articles. One such website is Academia.edu, which allows researchers and scholars to share their work with a global audience. Users can download PDF files of research papers, theses, and dissertations covering a wide range of subjects. Academia.edu also provides a platform for discussions and networking within the academic community. When it comes to downloading Mitsubishi Rvr Owner Manual free PDF files of magazines, brochures, and catalogs, Issuu is a popular choice. This digital publishing platform hosts a vast collection of publications from around the world. Users can search for specific titles or explore various categories and genres. Issuu offers a seamless reading experience with its user-friendly interface and allows users to download PDF files for offline reading. Apart from dedicated platforms, search engines also play a crucial role in finding free PDF files. Google, for instance, has an advanced search feature that allows users to filter results by file type. By specifying the file type as "PDF," users can find websites that offer free PDF downloads on a specific topic. While downloading Mitsubishi Rvr Owner Manual free PDF files is convenient, its important to note that copyright laws must be respected. Always ensure that the PDF files you download are legally

available for free. Many authors and publishers voluntarily provide free PDF versions of their work, but its essential to be cautious and verify the authenticity of the source before downloading Mitsubishi Rvr Owner Manual. In conclusion, the internet offers numerous platforms and websites that allow users to download free PDF files legally. Whether its classic literature, research papers, or magazines, there is something for everyone. The platforms mentioned in this article, such as Project Gutenberg, Open Library, Academia.edu, and Issuu, provide access to a vast collection of PDF files. However, users should always be cautious and verify the legality of the source before downloading Mitsubishi Rvr Owner Manual any PDF files. With these platforms, the world of PDF downloads is just a click away.

FAQs About Mitsubishi Rvr Owner Manual Books

How do I know which eBook platform is the best for me? Finding the best eBook platform depends on your reading preferences and device compatibility. Research different platforms, read user reviews, and explore their features before making a choice. Are free eBooks of good quality? Yes, many reputable platforms offer high-quality free eBooks, including classics and public domain works. However, make sure to verify the source to ensure the eBook credibility. Can I read eBooks without an eReader? Absolutely! Most eBook platforms offer webbased readers or mobile apps that allow you to read eBooks on your computer, tablet, or smartphone. How do I avoid digital eye strain while reading eBooks? To prevent digital eye strain, take regular breaks, adjust the font size and background color, and ensure proper lighting while reading eBooks. What the advantage of interactive eBooks? Interactive eBooks incorporate multimedia elements, quizzes, and activities, enhancing the reader engagement and providing a more immersive learning experience. Mitsubishi Rvr Owner Manual is one of the best book in our library for free trial. We provide copy of Mitsubishi Rvr Owner Manual in digital format, so the resources that you find are reliable. There are also many Ebooks of related with Mitsubishi Rvr Owner Manual. Where to download Mitsubishi Rvr Owner Manual online for free? Are you looking for Mitsubishi Rvr Owner Manual PDF? This is definitely going to save you time and cash in something you should think about. If you trying to find then search around for online. Without a doubt there are numerous these available and many of them have the freedom. However without doubt you receive whatever you purchase. An alternate way to get ideas is always to check another Mitsubishi Rvr Owner Manual. This method for see exactly what may be included and adopt these ideas to your book. This site will almost certainly help you save time and effort, money and stress. If you are looking for free books then you really should consider finding to assist you try this. Several of Mitsubishi Rvr Owner Manual are for sale to free while some are payable. If you arent sure if the books you would like to download works with for usage along with your computer, it is possible to download free trials. The free guides make it easy for someone to free access online library for download books to your device. You can get free download on free

trial for lots of books categories. Our library is the biggest of these that have literally hundreds of thousands of different products categories represented. You will also see that there are specific sites catered to different product types or categories, brands or niches related with Mitsubishi Rvr Owner Manual. So depending on what exactly you are searching, you will be able to choose e books to suit your own need. Need to access completely for Campbell Biology Seventh Edition book? Access Ebook without any digging. And by having access to our ebook online or by storing it on your computer, you have convenient answers with Mitsubishi Rvr Owner Manual To get started finding Mitsubishi Rvr Owner Manual, you are right to find our website which has a comprehensive collection of books online. Our library is the biggest of these that have literally hundreds of thousands of different products represented. You will also see that there are specific sites catered to different categories or niches related with Mitsubishi Rvr Owner Manual So depending on what exactly you are searching, you will be able to choose ebook to suit your own need. Thank you for reading Mitsubishi Rvr Owner Manual. Maybe you have knowledge that, people have search numerous times for their favorite readings like this Mitsubishi Rvr Owner Manual, but end up in harmful downloads. Rather than reading a good book with a cup of coffee in the afternoon, instead they juggled with some harmful bugs inside their laptop. Mitsubishi Rvr Owner Manual is available in our book collection an online access to it is set as public so you can download it instantly. Our digital library spans in multiple locations, allowing you to get the most less latency time to download any of our books like this one. Merely said, Mitsubishi Rvr Owner Manual is universally compatible with any devices to read.

Find Mitsubishi Rvr Owner Manual :

la nuit des loups

la rebelle et le viking les historiques t

la rose bleue

la uncion spanish edition by benny hinn

la maleacutediction du ratmonstre

la saga des montgomery un teint de velours

la naissance du mouvement syndical tunisien

la pute enchanteacutée

lab 34 probability and inheritance

la monteacutée du racisme et de la xeacutenophobie en europe

la traite des fous vers linvisible

la planegravete disneylandiseacutée pour un tourisme responsable

la princesse guenon

~~la premiegrave guerre de charles de gaulle~~

la sirenita spanish edition

Mitsubishi Rvr Owner Manual :

advance accounting 5th edition solutions manual hoyle - May 05 2023

web fundamentals of advanced accounting 5th edition is ideal for those schools wanting to cover 12 chapters in their advanced accounting course this brief yet concise text

advanced accounting 15th edition mcgraw hill - Feb 19 2022

web this advanced accounting 5th edition solutions manual hoyle as one of the most functioning sellers here will categorically be in the midst of the best options to review

advanced accounting solution manual chegg com - Aug 08 2023

web get instant access to our step by step advanced accounting solutions manual our solution manuals are written by chegg experts so you can be assured of the highest

[solution manual for advanced accounting 15th edition hoyle](#) - Jan 21 2022

solution manual for mcgraw hill connect resources for hoyle - Oct 30 2022

web chapter wise solutions of c a pcc group i advanced accounting 5th edition fundamentals of financial accounting with annual report connect plus core

advance accounting 5th edition solutions manual hoyle cie - Mar 23 2022

web may 20 2018 fundamentals of advanced accounting 5th edition hoyle solutions manual full file at testbankuniv eu fundamentals of advanced accounting 5th

advance accounting 5th edition solutions manual hoyle - Apr 23 2022

web solution manual for advanced accounting 15th edition joe ben hoyle thomas schaefer and timothy doupnik isbn10 1264798482 isbn13 9781264798483

advance accounting 5th edition solutions manual hoyle spc - Aug 28 2022

web advance accounting 5th edition solutions manual hoyle is available in our book collection an online access to it is set as public so you can download it instantly our

solutions manual for fundamentals of advanced accounting 5th - Feb 02 2023

web fundamentals of advanced accounting 8th edition hoyle solutions manual 55 00 29 99 solution manual for mcgraw hill

connect resources for jones acquiring

advanced accounting 5th edition solutions manual hoyle jeter - Nov 18 2021

advance accounting 5th edition solutions manual hoyle - Jul 27 2022

web of noise and distractions however nestled within the musical pages of advance accounting 5th edition solutions manual hoyle a fascinating function of fictional

solutions manual for fundamentals of advanced - Apr 04 2023

web instantly download solutions manual for fundamentals of advanced accounting 5th edition by hoyle from trusted source provides a thousand solutions manual and test

[fundamentals of advanced accounting 5th edition hoyle](#) - Sep 09 2023

web fundamentals of advanced accounting 5th edition hoyle solutions manual free download as pdf file pdf text file txt or read online for free solutions manual

advanced accounting joe ben hoyle thomas schaefer - Jun 25 2022

web advance accounting 5th edition solutions manual hoyle advance accounting 5th edition solutions manual hoyle 4 downloaded from cie advances asme org on 2020

advance accounting 5th edition solutions manual hoyle janice - May 25 2022

web get the 15e of advanced accounting by joe ben hoyle thomas schaefer and timothy doupnik textbook ebook and other options institutional solutions increase

fundamentals of advanced accounting 5th edition hoyle - Dec 20 2021

fundamentals of advanced accounting 5th edition hoyle - Oct 10 2023

web solution manual for fundamentals of advanced accounting 5th edition by hoyle schaefer and doupnik isbn 0078025397 9780078025396 full download link at

[solution manual for fundamentals of advanced accounting 5th](#) - Jun 06 2023

web may 26 2023 solution manual for fundamentals of advanced accounting 5th edition hoyle all chapters 1 12 full complete 2023 course fundamentals of advanced

fundamentals of advanced accounting 5th edition by hoyle test - Jan 01 2023

web advance accounting 5th edition solutions manual hoyle financial accounting 5th edition textbook solutions bartleby oct 18 2022 web chapter 1 a framework for

fundamentals of advanced accounting 5th edition - Nov 30 2022

web chapter wise solutions of c a pcc group i advanced accounting 5th edition advanced accounting advanced accounting advanced financial accounting

[advance accounting 5th edition solutions manual hoyle book](#) - Sep 28 2022

web mar 2 2010 mcgraw hill education mar 2 2010 business economics 928 pages the approach used by hoyle schaefer and doupnik in the new edition allows students

advanced accounting chapter 5 answer pdf - Mar 03 2023

web jun 10 2013 i have the test bank solution manual for fundamentals of advanced accounting 5th edition by hoyle email me at examhelpcenter at gmail com for the

[fundamentals of advanced accounting 5 e hoyle solution](#) - Jul 07 2023

web mar 14 2013 fundamentals of advanced accounting 5th edition by hoyle solution manual testbank by joe b hoyle thomas f schaefer timothy s doupnik instant

[la vanguardia](#) - Jun 22 2022

web we would like to show you a description here but the site won t allow us

las cuatro filípicas edición bilingüe by demóstenes amazon ae - Feb 28 2023

web buy las cuatro filípicas edición bilingüe by demóstenes online on amazon ae at best prices fast and free shipping free returns cash on delivery available on eligible purchase

[las cuatro filípicas edición bilingüe ebook](#) - May 02 2023

web el político y orador demóstenes 384 322 a c nos ha dejado en las cuatro filípicas una obra maestra de la oratoria de todos los tiempos fueron pronunciadas contra el poderoso rey filipo de macedonia padre de alejandro magno quien a los ojos de demóstenes representaba una fuerza bárbara y antidemocrática que amenazaba el marco de

descargar las cuatro filípicas edición bilingüe libros gratis - Sep 25 2022

web el político y orador demóstenes 384 322 a c nos ha dejado en las cuatro filípicas una obra maestra de la oratoria de todos los tiempos fueron pronunciadas contra el poderoso rey filipo de macedonia padre de alejandro magno quien a los ojos de demóstenes representaba una fuerza bárbara y antidemocrática que amenazaba el marco de

[las cuatro filípicas edición bilingüe demóstenes](#) - Jan 30 2023

web abebooks com las cuatro filípicas edición bilingüe 9788490857458 by demóstenes and a great selection of similar new used and collectible books available now at great prices las cuatro filípicas edición bilingüe demóstenes 9788490857458 abebooks

las cuatro filípicas edición bilingüe pennsylvania institute of - Jul 24 2022

web journal of orthopaedic and sports physical therapy jospt news gale nursing allied health gale

las cuatro filípicas edición bilingüe paperback amazon com au - Nov 27 2022

web select the department you want to search in

las cuatro filípicas edición bilingüe libro demóstenes pdf - Mar 20 2022

web aug 17 2018 educaciÓn ffsica en el aula 5 la 3er ciclo de pr libro sobre la pasi3n de cristo sntesis teol3gic la dama del lago philip marlowe 4 ebook raymon la visita del inspector n c 000001 aula de liter descargar caÑas y barro vicente blasco ibaÑez p trilogía diamante 1 deslumbrante bookshots pdf

las cuatro filípicas edición bilingüe pdf download demóstenes - Apr 20 2022

web sep 27 2018 academia edu comprar el libro las cuatro filípicas edición bilingüe de demóstenes editorial dykinson s l 9788490857458 con descuento en la librería online las cuatro filípicas edición bilingüe de demóstenes en iberlibro com isbn 10 8490857458 isbn 13 9788490857458 editorial dykinson s l 2016 comentario

las cuatro filípicas worldcat org - Jul 04 2023

web connect to electronic resource ebook central academic complete anz edition ebscohost show more information

las cuatro filípicas edición bilingüe paperback amazon com - Apr 01 2023

web jun 6 2016 las cuatro filípicas edición bilingüe demóstenes on amazon com free shipping on qualifying offers las cuatro filípicas edición bilingüe

las cuatro filipicas erasmo textos bilingues open library - Oct 27 2022

web las cuatro filipicas erasmo textos bilingues by demosthenes unknown edition unknown binding in spanish espaÑol it looks like you re offline donate Āestina cs deutsch de english en espaÑol es franĀais fr

las cuatro filípicas edición bilingüe on jstor - Aug 05 2023

web las cuatro filípicas edición bilingüe

demóstenes las cuatro filípicas edición bilingüe pdf - Oct 07 2023

web demóstenes las cuatro filípicas edición bilingüe pdf pdf demóstenes las cuatro filípicas edición bilingüe pdf fernando garcía romero academia edu academia edu no longer supports internet explorer

pdf demóstenes las cuatro filípicas edición bilingüe - Sep 06 2023

web demóstenes las cuatro filípicas edición bilingüe dykinson madrid 2016 isbn 978 84 9085 745 8 felipe g hernandez muÑoz see full pdf download pdf see full pdf download pdf related papers using support vector machines for time series prediction 2000 gunnar ratsch

las cuatro filipicas edicion bilingue ai classmonitor - Feb 16 2022

web las cuatro filipicas edicion bilingue 1 las cuatro filipicas edicion bilingue greek lyric poetry and its influence cuadernos de investigaci3n filol3gica discursos ante la asamblea the politics la lengua alemana vista desde dentro y desde fuera

estudios sobre su sistema su enseñanza y su recepción die deutsche sprache intern und

holdings las cuatro filípicas edición bilingüe library catalog - May 22 2022

web las cuatro vidas de steve jobs by ichbiah daniel published 2011 comprendiendo las cuentas nacionales segunda edición by françois lequiller published 2018 800 lancaster ave villanova pa 19085 610 519 4500

las cuatro filípicas jun 06 2016 edition open library - Jun 03 2023

web jun 6 2016 las cuatro filípicas by demóstenes jun 06 2016 editorial dykinson s l edition paperback

las cuatro filípicas edición bilingüe by demóstenes is available - Dec 29 2022

web el político y orador demóstenes 384 322 a c nos ha dejado en las cuatro filípicas una obra maestra de la oratoria de todos los tiempos fueron pronunciadas contra el poderoso rey filipo de macedonia padre de alejandro magno quien a los ojo d [las cuatro filipicas edicion bilingue demostenes](#) - Aug 25 2022

web jun 6 2016 el autor de las cuatro filípicas edición bilingüe con isbn 978 84 9085 745 8 es demóstenes esta publicación tiene doscientas treinta y seis páginas otros libros de demóstenes son discursos ante la asamblea las filípicas sobre la corona filípicas arengues vol ii sobre la pau

[i can t help falling in love sheet music for saxophone alto solo](#) - Mar 29 2022

web download and print in pdf or midi free sheet music for can t help falling in love by elvis presley arranged by ffkammer for saxophone alto solo i can t help falling in love sheet music for saxophone alto solo musescore com

falling in love with jesus alto sax cover youtube - Jul 13 2023

web backing track provided by fruition music performance tracksyoutu be orpacpbet9o

[chords for tenor saxophone cover falling in love with jesus](#) - Apr 29 2022

web em a f m d c m chords for tenor saxophone cover falling in love with jesus with key bpm and easy to follow letter notes in sheet play with guitar piano ukulele or any instrument you choose

[falling in love with jesus how to play kirk whalum sax solo](#) - Jun 12 2023

web jun 28 2013 by request a how to video for kirk whalum sax solo

[falling in love with jesus jonathan butler ft kirk whalum](#) - Sep 03 2022

web 0 00 0 00 for many years i have wanted to make this beautiful song written by jonathan butler however i heard it for the first time in gospel according to jazz by m

[falling in love with jesus how to play kirk whalum sax solo](#) - Oct 04 2022

web c e f m bm a chords for falling in love with jesus how to play kirk whalum sax solo with key bpm and easy to follow letter notes in sheet play with guitar piano ukulele or any instrument you choose

sax jonathan butler falling in love with jesus sax youtube - Apr 10 2023

web sax jonathan butler falling in love with jesus sax gk soulsax 319 subscribers subscribe 1k views 1 year ago jonathan butler falling in love with jesus by gk

falling in love with jesus sheet music yohan kim music - Jul 01 2022

web falling in love with jesus sheet music scoring instrumental solo instrument piano pages 10

cover sax falling in love with jesus youtube - Aug 14 2023

web nov 27 2019 falling in love with jesusfalling in love with jesusfalling in love with jesuswas the best thing i ve everever done oh yes oh yes oh yes bruno alef

stream falling in love with jesus cover jimmy k saxophone - Aug 02 2022

web falling in love with jesus cover alto saxophone jimmy k music jimmy k god bless us saxophone instrumental view all pianizzz semua baik jimmy k saxophone instrumental 26k 202 23 11 nonstop2k midi preview 21268 36 denyjo never let you go ir niko njotorahardjo bass cover 7 184 43

falling in love with jesus alto sax youtube - Mar 09 2023

web learned a song last night for easter sunday service sorry for not being that good lol

falling in love with jesus alto sax sheet music pdf praisecharts - Sep 15 2023

web download the altosax sheet music for falling in love with jesus by jonathan butler from the album the worship project this song was arranged by daniel galbraith in the key of a g

falling in love with jesus archives saxsolos - May 31 2022

web tenor sax kirk whalum falling in love with jesus key change to bb c 2 00 add to cart guitar tenor sax kirk whalum falling in love with jesus key change to db eb 2 00 add to cart alto sax kirk whalum falling in love with jesus key change to alto sax 2 00 add to cart tenor sax

falling in love with jesus sheet music musicnotes com - Feb 08 2023

web jonathan butler browse our 1 arrangement of falling in love with jesus sheet music is available for piano voice with 2 scorings in 7 genres find your perfect arrangement and access a variety of transpositions so you can print and play instantly anywhere

kirk whalum falling in love with jesus key change to alto sax - Dec 06 2022

web kirk whalum falling in love with jesus key change to alto sax 2 00 add to cart description reviews 0 artist kirk whalum tune falling in love with jesus album the gospel according to jazz instrument tenor sax transposed to alto sax

falling in love with jesus alto sax solo by mr gabriel - Oct 16 2023

web dec 2 2016 falling in love with jesus alto sax solo by mr gabriel timothy sealy 290 subscribers subscribe 2 2k views 6 years ago reflection nov 26 2016 at 4 00 pm

altosaxfallinginlovewithjesus - Feb 25 2022

web issues and trends saxophone journal jan 23 2023 schwann compact disc catalog feb 12 2022 billboard oct 08 2021 in its 114th year billboard remains the world s premier weekly music publication and a diverse digital events brand content and data licensing platform billboard publishes the most trusted charts and offers

falling in love with jesus reggie page alto saxophone - May 11 2023

web may 5 2013 falling in love with jesus reggie page alto saxophone youtube i was blessed to play and special guest with a group of anointed musicians in the group 496 west i pray that this song

jonathan butler falling in love with jesus sheet music in a - Nov 05 2022

web print and download falling in love with jesus sheet music by jonathan butler sheet music arranged for piano vocal chords and singer pro in a major transposable sku mn0100006

falling in love with jesus sheet music pdf jonathan butler - Jan 07 2023

web download the sheet music for falling in love with jesus by jonathan butler from the album the worship project this song was arranged by daniel galbraith in the key of a g songid