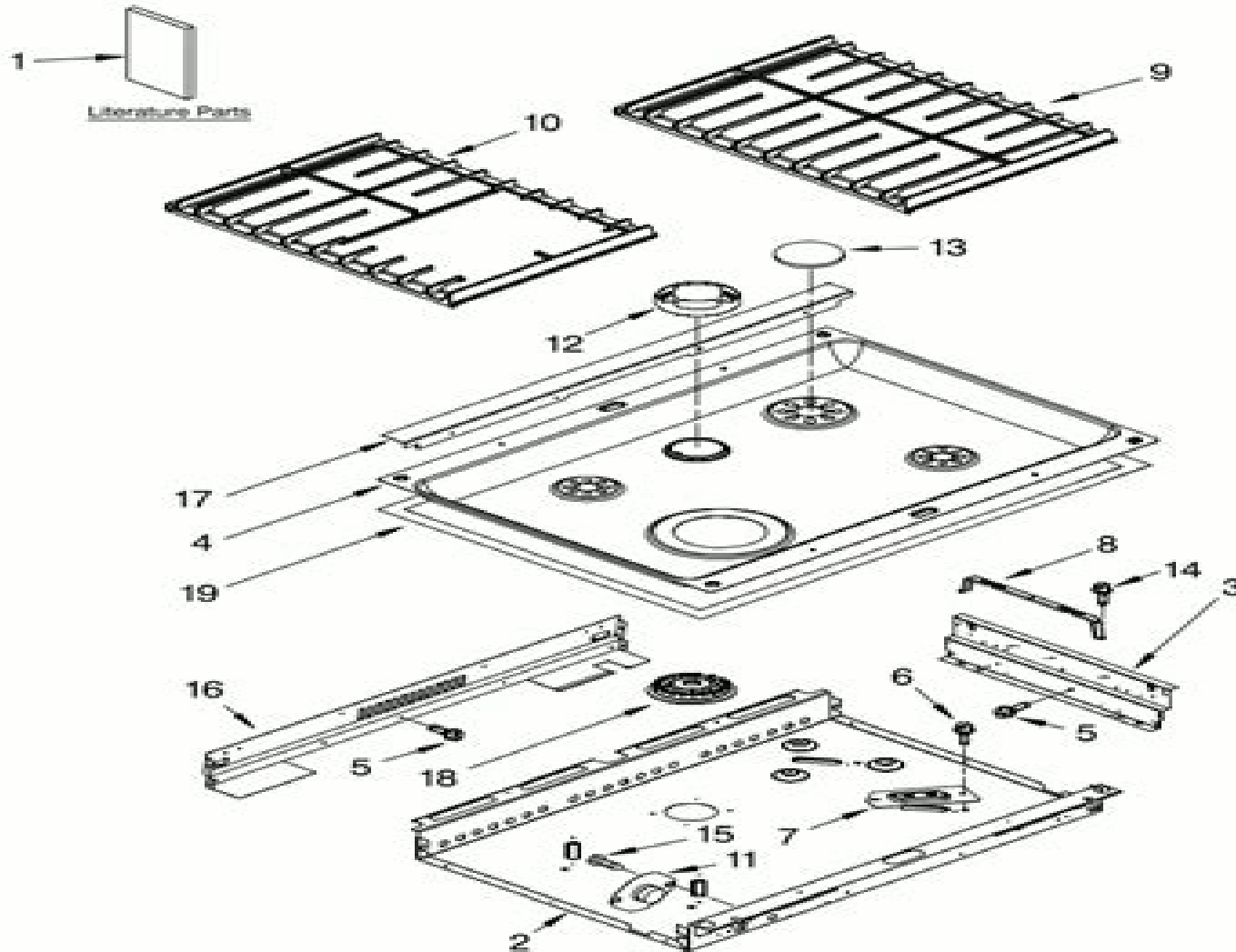


KitchenAid.

COOKTOP PARTS

For Models: KGSK901SBL02, KGSK901SWH02, KGSK901SSS02
(Black) (White) (Stainless)

30" Freestanding
GAS OVEN
CONVECTION



FOR ORDERING INFORMATION REFER TO PARTS PRICE LIST

Kitchenaid Cooktop Kgcp483kss03 Parts Manual

DP Hallahan



Kitchenaid Cooktop Kgcp483kss03 Parts Manual:

Enjoying the Beat of Phrase: An Mental Symphony within **Kitchenaid Cooktop Kgcp483kss03 Parts Manual**

In some sort of taken by displays and the ceaseless chatter of fast interaction, the melodic beauty and mental symphony developed by the prepared word often diminish into the background, eclipsed by the relentless noise and disruptions that permeate our lives. However, nestled within the pages of **Kitchenaid Cooktop Kgcp483kss03 Parts Manual** an enchanting fictional prize brimming with organic emotions, lies an immersive symphony waiting to be embraced. Crafted by an elegant musician of language, this fascinating masterpiece conducts viewers on a mental journey, skillfully unraveling the hidden tunes and profound affect resonating within each cautiously crafted phrase. Within the depths of this moving assessment, we can discover the book is main harmonies, analyze their enthralling publishing design, and surrender ourselves to the profound resonance that echoes in the depths of readers souls.

<https://www.splashdogs.com/data/uploaded-files/default.aspx/igcse%20economics%20past%20papers%20model%20answers.pdf>

Table of Contents Kitchenaid Cooktop Kgcp483kss03 Parts Manual

1. Understanding the eBook Kitchenaid Cooktop Kgcp483kss03 Parts Manual
 - The Rise of Digital Reading Kitchenaid Cooktop Kgcp483kss03 Parts Manual
 - Advantages of eBooks Over Traditional Books
2. Identifying Kitchenaid Cooktop Kgcp483kss03 Parts Manual
 - Exploring Different Genres
 - Considering Fiction vs. Non-Fiction
 - Determining Your Reading Goals
3. Choosing the Right eBook Platform
 - Popular eBook Platforms
 - Features to Look for in an Kitchenaid Cooktop Kgcp483kss03 Parts Manual
 - User-Friendly Interface
4. Exploring eBook Recommendations from Kitchenaid Cooktop Kgcp483kss03 Parts Manual

- Personalized Recommendations
 - Kitchenaid Cooktop Kgcp483kss03 Parts Manual User Reviews and Ratings
 - Kitchenaid Cooktop Kgcp483kss03 Parts Manual and Bestseller Lists
5. Accessing Kitchenaid Cooktop Kgcp483kss03 Parts Manual Free and Paid eBooks
 - Kitchenaid Cooktop Kgcp483kss03 Parts Manual Public Domain eBooks
 - Kitchenaid Cooktop Kgcp483kss03 Parts Manual eBook Subscription Services
 - Kitchenaid Cooktop Kgcp483kss03 Parts Manual Budget-Friendly Options
 6. Navigating Kitchenaid Cooktop Kgcp483kss03 Parts Manual eBook Formats
 - ePub, PDF, MOBI, and More
 - Kitchenaid Cooktop Kgcp483kss03 Parts Manual Compatibility with Devices
 - Kitchenaid Cooktop Kgcp483kss03 Parts Manual Enhanced eBook Features
 7. Enhancing Your Reading Experience
 - Adjustable Fonts and Text Sizes of Kitchenaid Cooktop Kgcp483kss03 Parts Manual
 - Highlighting and Note-Taking Kitchenaid Cooktop Kgcp483kss03 Parts Manual
 - Interactive Elements Kitchenaid Cooktop Kgcp483kss03 Parts Manual
 8. Staying Engaged with Kitchenaid Cooktop Kgcp483kss03 Parts Manual
 - Joining Online Reading Communities
 - Participating in Virtual Book Clubs
 - Following Authors and Publishers Kitchenaid Cooktop Kgcp483kss03 Parts Manual
 9. Balancing eBooks and Physical Books Kitchenaid Cooktop Kgcp483kss03 Parts Manual
 - Benefits of a Digital Library
 - Creating a Diverse Reading Collection Kitchenaid Cooktop Kgcp483kss03 Parts Manual
 10. Overcoming Reading Challenges
 - Dealing with Digital Eye Strain
 - Minimizing Distractions
 - Managing Screen Time
 11. Cultivating a Reading Routine Kitchenaid Cooktop Kgcp483kss03 Parts Manual
 - Setting Reading Goals Kitchenaid Cooktop Kgcp483kss03 Parts Manual
 - Carving Out Dedicated Reading Time
 12. Sourcing Reliable Information of Kitchenaid Cooktop Kgcp483kss03 Parts Manual

- Fact-Checking eBook Content of Kitchenaid Cooktop Kgcp483kss03 Parts Manual
 - Distinguishing Credible Sources
13. Promoting Lifelong Learning
- Utilizing eBooks for Skill Development
 - Exploring Educational eBooks
14. Embracing eBook Trends
- Integration of Multimedia Elements
 - Interactive and Gamified eBooks

Kitchenaid Cooktop Kgcp483kss03 Parts Manual Introduction

Kitchenaid Cooktop Kgcp483kss03 Parts Manual Offers over 60,000 free eBooks, including many classics that are in the public domain. Open Library: Provides access to over 1 million free eBooks, including classic literature and contemporary works. Kitchenaid Cooktop Kgcp483kss03 Parts Manual Offers a vast collection of books, some of which are available for free as PDF downloads, particularly older books in the public domain. Kitchenaid Cooktop Kgcp483kss03 Parts Manual : This website hosts a vast collection of scientific articles, books, and textbooks. While it operates in a legal gray area due to copyright issues, its a popular resource for finding various publications. Internet Archive for Kitchenaid Cooktop Kgcp483kss03 Parts Manual : Has an extensive collection of digital content, including books, articles, videos, and more. It has a massive library of free downloadable books. Free-eBooks Kitchenaid Cooktop Kgcp483kss03 Parts Manual Offers a diverse range of free eBooks across various genres. Kitchenaid Cooktop Kgcp483kss03 Parts Manual Focuses mainly on educational books, textbooks, and business books. It offers free PDF downloads for educational purposes. Kitchenaid Cooktop Kgcp483kss03 Parts Manual Provides a large selection of free eBooks in different genres, which are available for download in various formats, including PDF. Finding specific Kitchenaid Cooktop Kgcp483kss03 Parts Manual, especially related to Kitchenaid Cooktop Kgcp483kss03 Parts Manual, might be challenging as theyre often artistic creations rather than practical blueprints. However, you can explore the following steps to search for or create your own Online Searches: Look for websites, forums, or blogs dedicated to Kitchenaid Cooktop Kgcp483kss03 Parts Manual, Sometimes enthusiasts share their designs or concepts in PDF format. Books and Magazines Some Kitchenaid Cooktop Kgcp483kss03 Parts Manual books or magazines might include. Look for these in online stores or libraries. Remember that while Kitchenaid Cooktop Kgcp483kss03 Parts Manual, sharing copyrighted material without permission is not legal. Always ensure youre either creating your own or obtaining them from legitimate sources that allow sharing and downloading. Library Check if your local library offers eBook lending services. Many libraries have digital catalogs where you can borrow Kitchenaid Cooktop

Kgcp483kss03 Parts Manual eBooks for free, including popular titles. Online Retailers: Websites like Amazon, Google Books, or Apple Books often sell eBooks. Sometimes, authors or publishers offer promotions or free periods for certain books. Authors Website Occasionally, authors provide excerpts or short stories for free on their websites. While this might not be the Kitchenaid Cooktop Kgcp483kss03 Parts Manual full book, it can give you a taste of the authors writing style. Subscription Services Platforms like Kindle Unlimited or Scribd offer subscription-based access to a wide range of Kitchenaid Cooktop Kgcp483kss03 Parts Manual eBooks, including some popular titles.

FAQs About Kitchenaid Cooktop Kgcp483kss03 Parts Manual Books

How do I know which eBook platform is the best for me? Finding the best eBook platform depends on your reading preferences and device compatibility. Research different platforms, read user reviews, and explore their features before making a choice. Are free eBooks of good quality? Yes, many reputable platforms offer high-quality free eBooks, including classics and public domain works. However, make sure to verify the source to ensure the eBook credibility. Can I read eBooks without an eReader? Absolutely! Most eBook platforms offer web-based readers or mobile apps that allow you to read eBooks on your computer, tablet, or smartphone. How do I avoid digital eye strain while reading eBooks? To prevent digital eye strain, take regular breaks, adjust the font size and background color, and ensure proper lighting while reading eBooks. What the advantage of interactive eBooks? Interactive eBooks incorporate multimedia elements, quizzes, and activities, enhancing the reader engagement and providing a more immersive learning experience. Kitchenaid Cooktop Kgcp483kss03 Parts Manual is one of the best book in our library for free trial. We provide copy of Kitchenaid Cooktop Kgcp483kss03 Parts Manual in digital format, so the resources that you find are reliable. There are also many Ebooks of related with Kitchenaid Cooktop Kgcp483kss03 Parts Manual. Where to download Kitchenaid Cooktop Kgcp483kss03 Parts Manual online for free? Are you looking for Kitchenaid Cooktop Kgcp483kss03 Parts Manual PDF? This is definitely going to save you time and cash in something you should think about.

Find Kitchenaid Cooktop Kgcp483kss03 Parts Manual :

[igcse economics past papers model answers](#)

[igcse geography paper 4 revision](#)

[igcse o level january 2015 grade boundaries](#)

[igcse physics revision guide](#)

[igcse electrolysis past papers](#)

[ih international 666 686 tractor shop workshop service repair manual](#)

ikea framtid ov3 manual

[ih 276 manual](#)

igcse english language aunt pegg

[il villaggio turistico italian edition](#)

igcse ict year 7 past papers

[ii the book that started the 528 love revolution 212165](#)

ih 620 disc drill manual

ih 674 service manual

[ihg holiday inn brand standards manual](#)

Kitchenaid Cooktop Kgcp483kss03 Parts Manual :

eclinical trials planning implementation alibris - Feb 26 2022

web pmid 3528041 abstract the large scale collaborative clinical trial has become an

eclinical trials planning and implementation kush rebecca - May 12 2023

web oct 6 2022 this manuscript has two objectives 1 to introduce an implementation

planning and implementation of large clinical trials pubmed - Jan 28 2022

web background a gap exists between scientific discovery and implementation and adoption

planning and running the e clinical trial applied clinical trials - Jan 08 2023

web eclinical trials planning and implementation this new manual the first of its kind

clinical trials in turkey pmc national center for biotechnology - Jul 02 2022

web a clinical trial is an experiment aimed at testing an hypothesis regarding the efficacy of a

steps to a successful eclinical program applied clinical trials - Feb 09 2023

web jan 1 2003 figure 1 standardized framework for the implementation and operation of

[e clinical trials planning and implementation barbara tardiff](#) - Oct 25 2021

web feb 15 2022 e clinical trials planning and implementation barbara tardiff this

[facilitating future implementation and translation to clinical](#) - Apr 11 2023

web nov 25 2020 clinical researchers rarely specify all of the implementation strategies

[applied clinical trials 10 01 2003](#) - Mar 30 2022

web buy eclinical trials planning implementation by centerwatch rebecca daniels
[planning of clinical trials pubmed](#) - Jun 01 2022

web buy eclinical trials planning and implementation paperback book by rebecca d
eclinical trials planning implementation goodreads - Dec 07 2022

web oct 6 2022 this manuscript has two objectives 1 to introduce an implementation
e clinical trials planning and implementation barbara tardiff - Sep 23 2021

web eclinical trial a clinical trial in which information i e not human systems do the work
eclinical trials planning and implementation - Apr 30 2022

web sep 30 2003 eclinical trials planning implementation is a useful resource for
integrating implementation science in clinical research to - Mar 10 2023

web mar 2 2008 a central issue in most eclinical programs is the implementation use
[legislative amendments introduced in 2020 on clinical trials](#) - Nov 25 2021

web e clinical trials planning and implementation barbara tardiff wicked bite night
priority research opportunities in crisis response services - Jul 22 2021

designing and undertaking randomised implementation trials - Jun 13 2023

web english 194 pages 23 cm includes bibliographical references pages 137 38 1 setting
eclinical trials planning implementation - Aug 15 2023

web oct 1 2003 eclinical trials planning implementation is a useful resource for those
eclinical trials planning and implementation amazon com - Jul 14 2023

web may 1 2003 eclinical trials planning and implementation this new manual the
eclinical trial definition of eclinical trial by medical dictionary - Aug 23 2021

web sep 8 2023 presenter jennifer humensky ph d division of services and intervention
an eclinical trial system for cancer that integrates with clinical - Sep 04 2022

web jul 20 2023 the clinical trials regulation introduced substantial changes in how
planning an implementation science training program for jbi - Dec 27 2021

web jan 27 2021 as welcoming 2021 we would kindly like to share information on the
[clinical trials regulation progress on implementation](#) - Aug 03 2022

web jun 5 2013 turkey has had clinical trial legislation for a long time there are also
facilitating future implementation and translation to clinical - Nov 06 2022

web dec 16 2021 in 2021 our consortium has collectively decided to tackle the specific
towards data driven clinical trial planning and strategy - Oct 05 2022

web may 17 2012 we proposed and pilot tested a new eclinical trial model because our
quora a place to share knowledge and better understand the world - Apr 22 2022

web we would like to show you a description here but the site won t allow us
4 myths about how we live today psychology today - Mar 22 2022

web feb 23 2016 myth 1 the nuclear family the idea mom dad and two or two and a half kids in their own house with picket
fence seems as american as apple pie the thing is it was never true despite its
living myths how myth gives meaning to human expe pdf - Sep 27 2022

web myths we live by the life giving myth golden thread science of mythology the truth of myth the truth of myth indian
mythology the everything classical mythology book living myths african mythology a to z myths of the afterlife made easy
living myth climate change the mythic forest the green man and the spirit of nature llewellyn s
living myths how myth gives meaning to human expe 2022 - Jul 26 2022

web d aulares book of greek myths sumerian mythology living myths classical mythology living myths how myth gives
meaning to human expe downloaded from ftp kvoi com by guest delacruz cherry the life giving myth and other essays u of
nebraska press unusually accessible and useful an eye opener to readers into the
living myths how myth gives meaning to human experience goodreads - Aug 07 2023

web apr 6 1999 living myths how myth gives meaning to human experience j f bierlein 3 81 21 ratings1 review an intriguing
exploration of the enduring significance of the world s great myths from the dawn of time to the present day as ancient as
speech as essential as law myths are the stories we tell to find our identity in the cosmos
living myths how myth gives meaning to human experience - Jul 06 2023

web apr 6 1999 j f bierlein s living myths how myth gives meaning to human experience is an engaging and thoughtful
introduction to myth bierlein s approach is universalist and strongly influenced by paul ricoeur s dimensions of myth for
example 1 human finitude our limitation and mortality 2 human estrangement from god or the holy our struggle
living myths how myth gives meaning to human expe 2022 - Oct 29 2022

web living myths how myth gives meaning to human expe 3 3 to break through the masks of appearances steeped in wisdom
brimming with insights into human nature and behavior living myths is a luminous exploration of the meaning of mythology
through the ages and today in each of our lives the truth of myth routledge the series beihefte zur
living myths how myth gives meaning to human expe full pdf - Nov 29 2022

web living myths how myth gives meaning to human expe 3 3 passed the families of gods grew and included the trickster

maui who snared the sun and fiery pele of the volcano ancient hawaiians lived by the animistic philosophy that assigned living souls to animals trees stones stars and clouds as well as to humans religion and mythology were

living myths how myth gives meaning to human experience 2022 - Apr 03 2023

web living myths how myth gives meaning to human experience hawaiian mythology mythologies magic s in the bag paul artemis and the jews in ephesus 4 living myths how myth gives meaning to human experience 2023 03 03 today s world seek to make sense of and act upon it to the possible futures of climate however it may be governed

living myths how myth gives meaning to human experience - Feb 01 2023

web an intriguing exploration of the enduring significance of the world s great myths from the dawn of time to the present day as ancient as speech as essential as law myths are the stories we tell to find our identity in the cosmos it is through mythology that we attempt to unravel not only the meaning of our actions and impulses but the significance of

living myths how myth gives meaning to human experience - Sep 08 2023

web feb 10 2010 living myths how myth gives meaning to human experience j f bierlein random house publishing group feb 10 2010 literary criticism 256 pages an intriguing exploration of the

living myths how myth gives meaning to human experience - Oct 09 2023

web living myths how myth gives meaning to human experience bierlein j f amazon com tr kitap Çerez tercihlerinizi seçin Çerez bildirimimizde ayrıntılı şekilde açıklandığı üzere alışveriş yapmanızı sağlamak alışveriş deneyiminizi iyileştirmek ve hizmetlerimizi sunmak için gerekli olan çerezleri ve benzer araçları

living myths how myth gives meaning to human experience - Feb 18 2022

web the manner of this one merely said the living myths how myth gives meaning to human experience is universally compatible behind any devices to read worlds within women thelma j shinn 1986 focusing on the connection between metaphor and myth thelma shinn provides a metaphoric reading of fantastic literature by women that enables the

living myths how myth gives meaning to human experience - Dec 31 2022

web living myths how myth gives meaning to human experience philosophy of the human person aug 11 2022 in the rafters jan 24 2021 these are simple and enjoyable poems that will encourage thought for god s love and offer text for meditation they will be enjoyed from the youngest to the oldest members of the family one poem depicts a

living myths how myth gives meaning to human experience 2022 - Jun 24 2022

web living myths how myth gives meaning to human experience mythologies myths of the afterlife made easy paul artemis and the jews in ephesus mythology psychoanalysis and the occult in the late poetry of h d magic s in the bag classical myth classical mythology world mythology southern cultures thinking through myths parallel myths

living myths how myth gives meaning to human experience wendy - May 04 2023

web living myths how myth gives meaning to human experience below myth its meaning and functions in ancient and other cultures geoffrey stephen kirk 2023 03 11 this book developed out of the 1969 sather lectures at berkeley california confronts a wide range of problems concerning the nature meaning and functions of myths professor kirk s

[living myths how myth gives meaning to human experience](#) - May 24 2022

web 2 living myths how myth gives meaning to human experience 2023 03 04 living myths how myth gives meaning to human experience downloaded from store1 shops widebot net by guest michael neal the everything classical mythology book psychology press this structural analysis of myth first published in 1985 focuses on social and political

how do myths provide life with meaning brainly in - Aug 27 2022

web may 2 2020 2 people found it helpful ranjiths1962 report flag outlined myths provide life with meaning because humans seek to understand our existence myths make humans feel like there is a purpose to our existence myths and legends do establish moral guidelines for living they tell of rewards and punishments for the behavior or choices of

myth and human experience jstor - Mar 02 2023

web myth and human experience a myth so long as it is known by anyone remains a living thing this is because myths in one way or another comprise all of the most fundamental of man's experiences and so stand as a constant challenge to us suggesting human meanings but never fully revealing them we may use the classical myths for instance

living myths how myth gives meaning to human experience - Jun 05 2023

web download for offline reading highlight bookmark or take notes while you read living myths how myth gives meaning to human experience living myths how myth gives meaning to human experience ebook written by j f bierlein read this book using google play books app on your pc android ios devices download for offline reading

[amazon com smarty pants](#) - Jun 13 2023

web find many great new used options and get the best deals for melissa doug smarty pants kindergarten k genius 120 educational card set at the best online prices at

[melissa doug smarty pants kindergarten card set](#) - Aug 15 2023

web melissa doug smarty pants kindergarten card set 120 educational brain building questions puzzles and games 4 6 out of 5 stars 2 555 50 bought in past month

smarty pants kindergarten card set the toy maven - Mar 30 2022

web feb 2 2022 smarty pants kindergarten cards let young kids test their smarts and load up on new facts and funny trivia the cards are colorful creative and packed with

melissa doug smarty pants kindergarten card set youtube - Oct 25 2021

smarty pants kindergarten card set fat brain toys - Apr 30 2022

web smarty pants kindergarten cards let young kids test their smarts and load up on new facts and funny trivia the cards are colorful creative and packed with illustrated

amazon com smarty pants melissa and doug - May 12 2023

web amazon co uk smarty pants card continue without accepting select your cookie preferences you can change your choices at any time by visiting cookie

amazon ca smarty pants kids - Aug 03 2022

web smarty pants kindergarten cards let young kids test their smarts and load up on new facts and funny trivia the cards are colorful creative and packed with illustrated activities including picture puzzles math challenges tongue twisters mazes vocabulary builders and much more each educational card set is thought

melissa doug smarty pants kindergarten card set - Dec 27 2021

smarty pants kindergarten card set booktopia - Nov 06 2022

web melissa doug smarty pants kindergarten card set 120 educational brain building questions puzzles and games 2 521 600 bought in past month 1699 free delivery

melissa doug smarty pants preschool flash card set target - Sep 23 2021

melissa doug smarty pants kindergarten card set - Sep 04 2022

web smarty pants kindergarten cards let young kids test their smarts and load up on new facts and funny trivia the cards are colorful creative and packed with illustrated

melissa doug smarty pants preschool card set - Jul 14 2023

web dec 7 2017 melissa doug smarty pants kindergarten card set trivia games educational card set for kids developed with educators 120 cards 15 875 cm h x

melissa doug smarty pants 1st grade card set amazon com - Jan 08 2023

web melissa doug smarty pants kindergarten card set trivia games educational card set for kids developed with educators 120 cards 15 875 cm h x 17 78 cm w x 3 175

melissa doug smarty pants deluxe brain building - Dec 07 2022

web congrats smarty pants card graduation exam results pass card congratulations you passed well done passing driving test new job card 1 6k 4 99 congrats you

buy kindergarten smarty pants card game set bundle with 1 - Jan 28 2022

melissa doug smarty pants kindergarten card set - Apr 11 2023

web jan 1 2013 shop amazon for melissa doug smarty pants 1st grade card set 120 educational brain building questions puzzles and games and find millions of items delivered faster than ever

smarty pants kindergarten boardlandia - Feb 26 2022

web read reviews and buy melissa doug smarty pants preschool flash card set educational activity with 120 brain building questions puzzles and games at target

kindergarten card set smarty pants kindergarten card set - Oct 05 2022

web smarty pants kindergarten card set set of 120 puzzle cards designed just right for kindergarteners encourages comprehension problem solving critical thinking math

amazon co uk smarty pants card - Feb 09 2023

web mar 13 2013 smarty pants kindergarten cards let young kids test their smarts and load up on new facts and funny trivia the cards are colorful creative and packed with

smarty pants grade k hungrycutter - Nov 25 2021

melissa doug smarty pants kindergarten k genius 120 - Mar 10 2023

web shop amazon for melissa doug smarty pants deluxe brain building card set preschool kindergarten games activities and find millions of items delivered

amazon com smarty pants game - Jun 01 2022

web melissa doug smarty pants kindergarten card set sold by zabiva a kmart marketplace seller 37 65 22 59

smarty pants cards etsy - Jul 02 2022

web amazon in buy kindergarten smarty pants card game set bundle with 1 theme compatible m d scratch art mini pad 05071 online at low price in india on amazon in