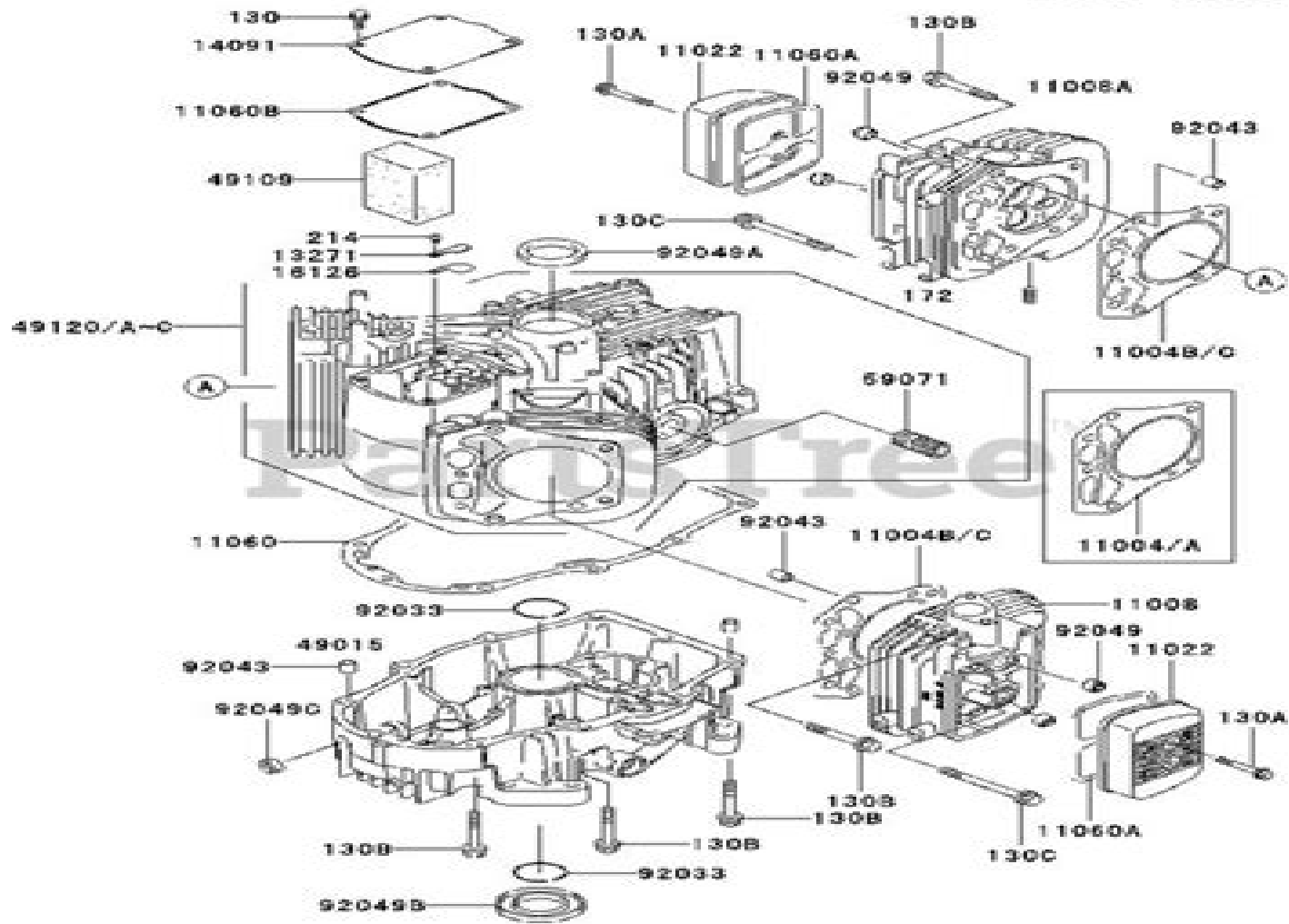


E0110-A390G



Kawasaki 19 Hp Engine Diagram

R Pring



Kawasaki 19 Hp Engine Diagram:

Public Works Manual ,2002 Small Air-cooled Engine Service Manual, 1990-1994 ,1995 Previously published as one volume under same title Rea's Far Eastern Manual ... ,1923 **Small Engines Service Manual** Intertec Publishing Corporation,1985-10 *WALNECK'S CLASSIC CYCLE TRADER, OCTOBER 2008* Causey Enterprises, LLC, *WALNECK'S CLASSIC CYCLE TRADER, APRIL 2001* Causey Enterprises, LLC, Power Farming in Australia and New Zealand Technical Manual ,1975 *WALNECK'S CLASSIC CYCLE TRADER, NOVEMBER 2000* Causey Enterprises, LLC, Aerosphere ,1943 Includes advertising matter *Aviation Week & Space Technology* ,1941 Popular Mechanics ,1991-03 Popular Mechanics inspires instructs and influences readers to help them master the modern world Whether it s practical DIY home improvement tips gadgets and digital technology information on the newest cars or the latest breakthroughs in science PM is the ultimate guide to our high tech lifestyle **Consumers Index to Product Evaluations and Information Sources** ,1985 **Jane's World Railways** Jane's,Ken Harris,2002-06 Contents include Over 450 railway systems Organisational structures Locomotives and powered non powered passenger vehicles Statistics Traction and rolling stock manufacturers and suppliers of component systems Signalling and communications systems suppliers Permanent way equipment and services companies Workshop repair and maintenance equipment Suppliers manufacturers and service companies Information technology systems for rail applications Station equipment Consultancy services Leasing companies *Agricultural Engineering* ,1984 Engineering ,1930 Farmers and Consumers Market Bulletin ,2010 **Jane's All the World's Aircraft** Frederick Thomas Jane,1985 **Lloyd's Register Technical Association Session 1971-1972** Lloyd's Register Foundation,1971-01-01 The Lloyd s Register Technical Association LRTA was established in 1920 with the primary objective of sharing technical expertise and knowledge within Lloyd s Register Publications have consistently been released on a yearly basis with a brief interruption between 1938 and 1946 These publications serve as a key reference point for best practices and were initially reserved for internal use to maximise LR s competitive advantage Today the LRTA takes a fresh approach focusing on collaboration by combining professional expertise from across LRF Group to ensure a frequent output of fresh perspectives and relevant content The LRTA has evolved into a Group wide initiative that identifies captures and shares knowledge spanning various business streams and functions To support this modern approach the LRTA has adopted a new structure featuring representatives and senior governance across the business streams and the LR Foundation The Lloyd s Register Technical Association Papers should be seen as historical documents representing earlier viewpoints and are not reflective of current thinking and perspectives by the current LR Technical Association The Lloyd s Register Staff Association LRSA changed its name to the Lloyd s Register Technical Association LRTA in 1973 **AMJ, Agricultural Machinery Journal** ,1975 *The Log* ,1935

Enjoying the Track of Phrase: An Emotional Symphony within **Kawasaki 19 Hp Engine Diagram**

In some sort of taken by displays and the ceaseless chatter of quick communication, the melodic splendor and mental symphony created by the prepared word frequently diminish in to the backdrop, eclipsed by the constant sound and distractions that permeate our lives. Nevertheless, nestled within the pages of **Kawasaki 19 Hp Engine Diagram** a wonderful literary prize overflowing with fresh feelings, lies an immersive symphony waiting to be embraced. Crafted by an elegant composer of language, that fascinating masterpiece conducts visitors on a psychological journey, well unraveling the concealed melodies and profound impact resonating within each cautiously crafted phrase. Within the depths of the touching analysis, we shall examine the book is central harmonies, analyze its enthralling publishing style, and surrender ourselves to the profound resonance that echoes in the depths of readers souls.

https://www.splashdogs.com/public/browse/HomePages/Giancoli_6th_Edition.pdf

Table of Contents Kawasaki 19 Hp Engine Diagram

1. Understanding the eBook Kawasaki 19 Hp Engine Diagram
 - The Rise of Digital Reading Kawasaki 19 Hp Engine Diagram
 - Advantages of eBooks Over Traditional Books
2. Identifying Kawasaki 19 Hp Engine Diagram
 - Exploring Different Genres
 - Considering Fiction vs. Non-Fiction
 - Determining Your Reading Goals
3. Choosing the Right eBook Platform
 - Popular eBook Platforms
 - Features to Look for in an Kawasaki 19 Hp Engine Diagram
 - User-Friendly Interface
4. Exploring eBook Recommendations from Kawasaki 19 Hp Engine Diagram
 - Personalized Recommendations

- Kawasaki 19 Hp Engine Diagram User Reviews and Ratings
- Kawasaki 19 Hp Engine Diagram and Bestseller Lists
- 5. Accessing Kawasaki 19 Hp Engine Diagram Free and Paid eBooks
 - Kawasaki 19 Hp Engine Diagram Public Domain eBooks
 - Kawasaki 19 Hp Engine Diagram eBook Subscription Services
 - Kawasaki 19 Hp Engine Diagram Budget-Friendly Options
- 6. Navigating Kawasaki 19 Hp Engine Diagram eBook Formats
 - ePub, PDF, MOBI, and More
 - Kawasaki 19 Hp Engine Diagram Compatibility with Devices
 - Kawasaki 19 Hp Engine Diagram Enhanced eBook Features
- 7. Enhancing Your Reading Experience
 - Adjustable Fonts and Text Sizes of Kawasaki 19 Hp Engine Diagram
 - Highlighting and Note-Taking Kawasaki 19 Hp Engine Diagram
 - Interactive Elements Kawasaki 19 Hp Engine Diagram
- 8. Staying Engaged with Kawasaki 19 Hp Engine Diagram
 - Joining Online Reading Communities
 - Participating in Virtual Book Clubs
 - Following Authors and Publishers Kawasaki 19 Hp Engine Diagram
- 9. Balancing eBooks and Physical Books Kawasaki 19 Hp Engine Diagram
 - Benefits of a Digital Library
 - Creating a Diverse Reading Collection Kawasaki 19 Hp Engine Diagram
- 10. Overcoming Reading Challenges
 - Dealing with Digital Eye Strain
 - Minimizing Distractions
 - Managing Screen Time
- 11. Cultivating a Reading Routine Kawasaki 19 Hp Engine Diagram
 - Setting Reading Goals Kawasaki 19 Hp Engine Diagram
 - Carving Out Dedicated Reading Time
- 12. Sourcing Reliable Information of Kawasaki 19 Hp Engine Diagram
 - Fact-Checking eBook Content of Kawasaki 19 Hp Engine Diagram

- Distinguishing Credible Sources
13. Promoting Lifelong Learning
- Utilizing eBooks for Skill Development
 - Exploring Educational eBooks
14. Embracing eBook Trends
- Integration of Multimedia Elements
 - Interactive and Gamified eBooks

Kawasaki 19 Hp Engine Diagram Introduction

Kawasaki 19 Hp Engine Diagram Offers over 60,000 free eBooks, including many classics that are in the public domain. Open Library: Provides access to over 1 million free eBooks, including classic literature and contemporary works. Kawasaki 19 Hp Engine Diagram Offers a vast collection of books, some of which are available for free as PDF downloads, particularly older books in the public domain. Kawasaki 19 Hp Engine Diagram : This website hosts a vast collection of scientific articles, books, and textbooks. While it operates in a legal gray area due to copyright issues, its a popular resource for finding various publications. Internet Archive for Kawasaki 19 Hp Engine Diagram : Has an extensive collection of digital content, including books, articles, videos, and more. It has a massive library of free downloadable books. Free-eBooks Kawasaki 19 Hp Engine Diagram Offers a diverse range of free eBooks across various genres. Kawasaki 19 Hp Engine Diagram Focuses mainly on educational books, textbooks, and business books. It offers free PDF downloads for educational purposes. Kawasaki 19 Hp Engine Diagram Provides a large selection of free eBooks in different genres, which are available for download in various formats, including PDF. Finding specific Kawasaki 19 Hp Engine Diagram, especially related to Kawasaki 19 Hp Engine Diagram, might be challenging as theyre often artistic creations rather than practical blueprints. However, you can explore the following steps to search for or create your own Online Searches: Look for websites, forums, or blogs dedicated to Kawasaki 19 Hp Engine Diagram, Sometimes enthusiasts share their designs or concepts in PDF format. Books and Magazines Some Kawasaki 19 Hp Engine Diagram books or magazines might include. Look for these in online stores or libraries. Remember that while Kawasaki 19 Hp Engine Diagram, sharing copyrighted material without permission is not legal. Always ensure youre either creating your own or obtaining them from legitimate sources that allow sharing and downloading. Library Check if your local library offers eBook lending services. Many libraries have digital catalogs where you can borrow Kawasaki 19 Hp Engine Diagram eBooks for free, including popular titles. Online Retailers: Websites like Amazon, Google Books, or Apple Books often sell eBooks. Sometimes, authors or publishers offer promotions or free periods for certain books. Authors Website Occasionally, authors provide excerpts or short stories for free on their websites. While this

might not be the Kawasaki 19 Hp Engine Diagram full book , it can give you a taste of the authors writing style. Subscription Services Platforms like Kindle Unlimited or Scribd offer subscription-based access to a wide range of Kawasaki 19 Hp Engine Diagram eBooks, including some popular titles.

FAQs About Kawasaki 19 Hp Engine Diagram Books

1. Where can I buy Kawasaki 19 Hp Engine Diagram books? Bookstores: Physical bookstores like Barnes & Noble, Waterstones, and independent local stores. Online Retailers: Amazon, Book Depository, and various online bookstores offer a wide range of books in physical and digital formats.
2. What are the different book formats available? Hardcover: Sturdy and durable, usually more expensive. Paperback: Cheaper, lighter, and more portable than hardcovers. E-books: Digital books available for e-readers like Kindle or software like Apple Books, Kindle, and Google Play Books.
3. How do I choose a Kawasaki 19 Hp Engine Diagram book to read? Genres: Consider the genre you enjoy (fiction, non-fiction, mystery, sci-fi, etc.). Recommendations: Ask friends, join book clubs, or explore online reviews and recommendations. Author: If you like a particular author, you might enjoy more of their work.
4. How do I take care of Kawasaki 19 Hp Engine Diagram books? Storage: Keep them away from direct sunlight and in a dry environment. Handling: Avoid folding pages, use bookmarks, and handle them with clean hands. Cleaning: Gently dust the covers and pages occasionally.
5. Can I borrow books without buying them? Public Libraries: Local libraries offer a wide range of books for borrowing. Book Swaps: Community book exchanges or online platforms where people exchange books.
6. How can I track my reading progress or manage my book collection? Book Tracking Apps: Goodreads, LibraryThing, and Book Catalogue are popular apps for tracking your reading progress and managing book collections. Spreadsheets: You can create your own spreadsheet to track books read, ratings, and other details.
7. What are Kawasaki 19 Hp Engine Diagram audiobooks, and where can I find them? Audiobooks: Audio recordings of books, perfect for listening while commuting or multitasking. Platforms: Audible, LibriVox, and Google Play Books offer a wide selection of audiobooks.
8. How do I support authors or the book industry? Buy Books: Purchase books from authors or independent bookstores. Reviews: Leave reviews on platforms like Goodreads or Amazon. Promotion: Share your favorite books on social media or recommend them to friends.

9. Are there book clubs or reading communities I can join? Local Clubs: Check for local book clubs in libraries or community centers. Online Communities: Platforms like Goodreads have virtual book clubs and discussion groups.
10. Can I read Kawasaki 19 Hp Engine Diagram books for free? Public Domain Books: Many classic books are available for free as they're in the public domain. Free E-books: Some websites offer free e-books legally, like Project Gutenberg or Open Library.

Find Kawasaki 19 Hp Engine Diagram :

[giancoli 6th edition](#)

[*getting started with cubieboard*](#)

gilera nexus workshop manual

[gilt and midnight mills boon spice briefs](#)

[*getting started with memcached soliman ahmed*](#)

[giggly guide to grammar answer key](#)

[gifted hands study guide for kids](#)

[get my annual credit report](#)

[giancoli physics for scientists and engineers 4th edition solutions manual](#)

[gina wilson 2013 worksheets](#)

[getting to know arcgis book](#)

ghs honors chemistry the molarity worksheet answers

[*girl in blue english edition*](#)

[*gifted hands study guide questions*](#)

german as level aqa 2015

Kawasaki 19 Hp Engine Diagram :

mark scheme for the may june 2009 question paper for the - Oct 03 2022

web 9709 mathematics 9709 06 paper 6 maximum raw mark 50 this mark scheme is published as an aid to teachers and candidates to indicate the requirements of cie is publishing the mark schemes for the may june 2009 question papers for most igcse gce advanced level and advanced subsidiary level syllabuses and some ordinary

past papers papers a levels mathematics 9709 gce guide - Jul 12 2023

web aug 13 2023 past papers of papers a levels mathematics 9709 cambridge o levels cambridge igcse cambridge int l as a levels caie past papers for cambridge o level cambridge int l as and a level and cambridge igcse subjects

cambridge international as a level mathematics 9709 - Jun 11 2023

web 2020 specimen paper 5 mark scheme pdf 1mb 2020 specimen paper 6 pdf 1mb 2020 specimen paper 6 mark scheme pdf 1mb sign up for updates about changes to the syllabuses you teach cambridge international as a level mathematics 9709 syllabus information and updates find out more on our website

9709 s13 ms 61 gce guide - Aug 13 2023

web mark scheme for the may june 2013 series 9709 mathematics 9709 61 paper 6 maximum raw mark 50 this mark scheme is published as an aid to teachers and candidates to indicate the requirements of the examination it shows the basis on which examiners were instructed to award marks it does not

mathematics gce guide - Apr 09 2023

web answers to questions 4 i 6 and 9 ii also suffered from poor or unclear setting out in previous reports comments were made that candidates were losing many marks on routine procedures although some improvement in this respect has been noted there is still room for further improvement

past papers papers a levels mathematics 9709 2013 - Oct 15 2023

web aug 13 2023 past papers of papers a levels mathematics 9709 2013 13 08 2023 new as a level latest papers added if any paper is still missing please report using the contact us tab

mathematics paper 6 june 9709 2013 question - Apr 28 2022

web mathematics paper 6 june 9709 2013 question author online kptm edu my 2023 11 09 13 18 18 subject mathematics paper 6 june 9709 2013 question keywords mathematics paper 6 june 9709 2013 question created date 11 9 2023 1 18 18 pm *mathematics paper 6 june 9709 2013 question copy* - Sep 02 2022

web mathematics paper 6 june 9709 2013 question after getting deal so in the same way as you require the ebook swiftly you can straight acquire it its fittingly utterly simple and fittingly fats isnt it you have to favor to in this vent mathematics paper 6 june 9709 2013 question 2020 08 04 paola deandre mathematics paper 6 june 9709past *cie a level mathematics paper 6 9709 justpastpapers com* - May 10 2023

web jul 14 2014 cie a level mathematics paper 6 9709 statistics 1 past papers may june 2016 question paper 61 marking scheme worked solution question paper 62 marking scheme worked solution question paper 63 marking scheme worked solution october november 2015 question paper 61 marking scheme worked solution *mathematics paper 6 june 9709 2013 question book* - Jun 30 2022

web mathematics paper 6 june 9709 2013 question big open and linked data aug 04 2020 this book examines the recent

evolution of the concept of data as an economic and managerial phenomenon the author first describes and discusses open data and then introduces the concept of linked data with a focus on assets for reuse

mathematics paper 6 june 9709 2013 question pdf full pdf - Nov 04 2022

web october november 2013 series 9709 mathematics 9709 63 paper 6 maximum 2 2 mathematics paper 63 2013 9709 mark scheme 2023 04 05 raw mark 50 this mark scheme is published as an aid to teachers and candidates to indicate the requirements lwn net webmark scheme for the may june 2013 series 9709 mathematics

downloadable free pdfs mathematics paper 6 june 9709 2013 question - Feb 07 2023

web mathematics paper 6 june 9709 2013 question advances in bioanalytical methods for probing ligand target interactions apr 16 2022 cambridge international as a level mathematics probability statistics 2 oct 23 2022 exam board cambridge assessment international education level a level

cambridge as a level math 9709 62 mark scheme may jun 2013 - Sep 14 2023

web mathematics 9709 june 2013 question papers question paper 11 question paper 12 question paper 13 question paper 21 question paper 22 question paper 23 question paper 31 question paper 32 mathematics 9709 62 paper 6 probability statistics 1 s1 mark scheme may june 2013

cambridge international a level - Mar 08 2023

web mathematics 9709 61 paper 6 probability statistics 2 may june 2021 mark scheme maximum mark 50 published this mark scheme is published as an aid to teachers and candidates to indicate the requirements of the examination it shows the basis on which examiners were instructed to award marks it does not indicate the

mathematics paper 6 june 9709 2013 question e - Feb 24 2022

web recognizing the habit ways to get this ebook mathematics paper 6 june 9709 2013 question is additionally useful you have remained in right site to begin getting this info acquire the mathematics paper 6 june 9709 2013 question member that we find the money for here and check out the link you could buy guide mathematics paper 6 june

mathematics paper 6 june 9709 2013 question - Jan 06 2023

web this mathematics paper 6 june 9709 2013 question as one of the most working sellers here will unquestionably be in the middle of the best options to review gmat all the quant manhattan prep 2019 09 03 manhattan prep s all the quant guide is an updated and expanded version of

mathematics paper 6 june 9709 2013 question 2023 wiki lwn - May 30 2022

web mathematics paper 6 june 9709 2013 question ebook download or read online in today digital age ebooks have become a staple for both leisure and learning the convenience of accessing mathematics paper 6 june 9709 2013 question and various genres has transformed the way we consume literature

[9709 s13 ms 61 physics maths tutor](#) - Mar 28 2022

web mark scheme for the may june 2013 series 9709 mathematics 9709 61 paper 6 maximum raw mark 50 this mark scheme is published as an aid to teachers and candidates to indicate the requirements of the examination it shows the basis on which examiners were instructed to award marks it does not

[mathematics paper 6 june 9709 2013 question pdf 2023](#) - Dec 05 2022

web introduction mathematics paper 6 june 9709 2013 question pdf 2023 cambridge hsc mathematics general 2 greg powers 2013 06 19 designed to cater fo a wide range of learning styles and abilities this student friendly text prepares every student for their hsc exams and reinforces the skills you need to manage your personal fianances and to

[mathematics paper 6 2013 9709 mark scheme](#) - Aug 01 2022

web mathematics paper 6 2013 9709 mark scheme 9709 mathematics a amp as level past papers 2013 online mathematics paper 6 june 9709 answer pdf download 9709 w13 ms 62 international as and a level mathematics 9709 paper 1 question 9 mark scheme 6001 01 que 2013 mathematics paper 6 2013 9709 mark scheme zhufu cx

ap microeconomics practice test study com - Oct 25 2021

web jul 10 2023 our 5 steps to a 5 guides explain the tough stuff offer tons of practice and explanations and help you make the most efficient use of your study time 5 steps to a

[ap microeconomics exam review 2023 study guides trivia](#) - Jun 01 2022

web online ap microeconomics practice exams hundreds of challengingt test questions with explanations includes ap micro multiple choice and free response

[ap microeconomics exam tips ap students college](#) - Jan 08 2023

web 1 a firm has a patent on a new carbon capture technology making it the only producer of that device the firm is curenly earning a positive economic profit and is producing the

ap microeconomics course ap central college board - Jun 13 2023

web ap microeconomics course at a glance excerpted from the ap microeconomics course and exam description the course at a glance document outlines the topics and skills

ap microeconomics home - Apr 30 2022

web the ap microeconomics exam includes 60 multiple choice questions and 3 free response questions see the table below if you are a mobile user click here do ap

[ap microeconomics 2023 free response questions set 1 ap](#) - Aug 03 2022

web may 5 2023 this is all you need to know about the ap microeconomics exam we ll cover how to manage the multiple choice questions mcqs and how to write great

5 steps to a 5 ap microeconomics 2024 elite student edition - Aug 23 2021

microeconomics practice exam ap central - Jan 28 2022

web the ap microeconomics exam is designed to test the knowledge of high school students seeking college credit this ap microeconomics study guide covers the exam content

ap microeconomics practice tests crackap com - Feb 26 2022

web mar 23 2023 collegeboard reported that 73 461 students took the ap microeconomics exam in 2021 with 20 receiving a perfect score of five and a combined 60 scored a

ap macroeconomics exam ap central college board - Jul 22 2021

guide to the ap microeconomics exam the princeton - Mar 10 2023

web ap microeconomics exam tips the following strategies for answering the free response questions will help you on exam day take advantage of the 10 minute planning time

ap microeconomics ap students college board - Apr 11 2023

web microeconomics is all about how individual actors make decisions learn how supply and demand determine prices how companies think about competition and more we hit the

ap microeconomics practice exams free online practice tests - Mar 30 2022

web ap microeconomics exam regularly scheduled exam date thursday afternoon may 17 2012 late testing exam date wednesday afternoon may 23 2012 total time 1

ap microeconomics exam ap students college board - May 12 2023

web about the exam the ap microeconomics exam will test your understanding of the economic concepts covered in the course as well as your ability to define economic

ap microeconomics stanford online high school - Sep 23 2021

web the ap macroeconomics exam includes two sections the first section contains 60 multiple choice questions the second section is the free response section which includes one

ap micro 2024 ap microeconomics exam guide fiveable - Jul 02 2022

web the world s best ap microeconomics teaching and learning resource has a wide variety of teaching and learning resources which include classroom games topic tests and

ap microeconomics exam date ap students college board - Sep 04 2022

web aug 18 2023 section 1 multiple choice 66 of score 60 questions in 1 hour and 10 minutes section 2 free response 33 of

score 3 questions in 1 hour 1 long frq

ap microeconomics past exam questions - Jul 14 2023

web download free response questions from past ap microeconomics exams along with scoring guidelines sample responses from exam takers and scoring distributions

ap microeconomics 2022 free response questions set 1 - Nov 06 2022

web tuesday may 7 2024 8 am local ap microeconomics exam this is the regularly scheduled date for the ap microeconomics exam this is the regularly scheduled date

ap microeconomics college microeconomics khan academy - Feb 09 2023

web about the advanced placement program ap the both dvanced placement prog am has while still in microeconomics nabled millions of students to take college level

ap microeconomics study guide study com - Nov 25 2021

web the class centers around the basic supply and demand structure of the economy with emphasis on the nature and functions of product markets and includes the study of factor

ap microeconomics course overview - Dec 07 2022

web may 11 2022 summary ap microeconomics exam the ap microeconomics exam has two sections multiple choice worth 66 of your final score and free response worth

the expert s guide to the ap microeconomics exam prepscholar - Oct 05 2022

web 2023 college board visit college board on the web collegeboard org rkb is a profit maximizing monopoly that produces a new patented electronic device rkb is earning

is ap microeconomics hard a complete guide bestcolleges - Dec 27 2021

web the ap microeconomics exam has a total of 63 questions section i consists of 60 multiple choice questions and counts for 66 percent of your exam sore section ii includes 1

ap microeconomics exam ap central college board - Aug 15 2023

web exam format the ap microeconomics exam includes two sections the first section contains 60 multiple choice questions the second section is the free response section

rosetta stone penguin random house - Apr 30 2022

web theodor suess geisel aka dr seuss aka rosetta stone the name he used when writing with michael frith aka theo lesieg is one of the most beloved children s book authors of all time from the cat in the hat to oh the places you ll go his iconic characters stories and art style have been a lasting influence on generations of

ebooks rosetta stone - Feb 09 2023

web trusted for 25 years by schools nationwide rosetta stone english meets my students needs by allowing them to practice and get immediate feedback in a safe setting when students are struggling the lessons are terrific students were surprised to see such a diversity of characters they could select they can relate to the characters yet

books by rosetta stone author of rosetta stone italian v4 - Oct 05 2022

web rosetta stone has 368 books on goodreads with 244 ratings rosetta stone s most popular book is rosetta stone italian v4 totale level 1

official rosetta stone language learning learn a language - Mar 10 2023

web rosetta stone is the best way to learn a foreign language the award winning language solution combines proven learning methods with the world s best speech recognition technology the experts in language learning

amazon com rosetta stone books - Apr 11 2023

web oct 29 2022 rosetta stone spanish english picture dictionary learn español for kids and beginners with 500 bilingual words and useful phrases basic spanish vocabulary numbers colors animals foods more by rosetta stone oct 29 2022

rosetta stone background quiz worksheet for kids study com - Nov 06 2022

web the rosetta stone was one of the most important archeological discoveries in history use this multiple choice quiz and worksheet to find out what

hard the rosetta stone quiz test humanities 10 questions fun trivia - Jul 14 2023

web sep 14 2023 answer 3 the writing on the rosetta stone was greek and two forms of egyptian hieroglyphs and demotic demotic was a simplified form of writing that was used in everyday life

learn german rosetta stone - Mar 30 2022

web between rosetta stone practise sessions you ll want to immerse yourself in the german language with 1 of every 10 books published written in german you have plenty of opportunity to get lost in a good book if books aren t your thing enhance your german learning with these german shows movies and songs speak and practise german daily

pupil workbook rosetta stone - Jun 13 2023

web the rosetta stone software worksheet pages and quizzes in this workbook are ordered by unit lesson and exercise and correspond directly to the units and lessons covered in the rosetta stone software additional learning resources are available as adobe pdf files on the rosetta stone supplemental education materials cd rom including

the riddle of the rosetta stone unit test quizizz - Jul 02 2022

web james cross giblin in the riddle of the rosetta stone effectively explains the struggle to understand the rosetta stone using multiple examples of scholars who attempted to decipher it giblin details the failed attempts of kircher who let his imagination run wild as well as the successes of champollion who was proven to be correct

everything you ever wanted to know about the rosetta stone - Jan 28 2022

web jul 14 2017 between 13 october 2022 and 19 february 2023 you can see the rosetta stone alongside other objects that helped scholars decipher hieroglyphs in our special exhibition hieroglyphs unlocking ancient egypt you can also touch a replica of the rosetta stone in room 1 the enlightenment gallery and remotely visit it on google

student workbook rosetta stone - May 12 2023

web rosetta stone classroom unit 1 lesson 1 test section 1 circle the answer which best completes the sentence 1 men are running a he b the c a she do not have reading a book the men does not have sleeping unit 1 lesson 2 test section 1 choose a word or phrase from each column to make a complete sentence

teacher resources rosetta stone support - Aug 15 2023

web rosetta stone storybooks include 20 guided stories that are tied to the skill level of each of the 20 english units and include writing prompts comprehension quizzes corresponding audio files and answer keys

rosetta stone egitimsetleri com - Jan 08 2023

web eğitim setleri aÖf kpss dgs yds okul Öncesi yabancı dil rosetta stone rosetta stone

the 20 year contest to crack the code of the rosetta stone - Jun 01 2022

web oct 19 2021 edward dolnick s the writing of the gods the race to decode the rosetta stone is an engrossing account of the 20 year competition that followed a former science writer for the boston

rosetta stone language learning review pcmag - Feb 26 2022

web jun 4 2020 it s well structured clear and moves at a deliberate pace use rosetta stone faithfully for a few months and you ll learn to speak read write and understand basic words and phrases rosetta

rosetta stone language software quiz can you guess this - Dec 27 2021

web aug 16 2023 with rosetta stone you ll be speaking confidently from your very first session with engaging lessons pronunciation feedback and more plus rosetta stone unlimited gives you never ending lifetime access to courses in 25 languages

questionnaire language test rosetta stone - Sep 04 2022

web 1 the rosetta stone english pre test is a tool designed to evaluate learners english language needs and proficiency for the purpose of placing them into the appropriate rosetta stone english training solution the tool has two parts a questionnaire and a proficiency test that measures ability from levels a1 beginner to c1 advanced according to the

how well do you know rosetta stone proprofs quiz - Aug 03 2022

web mar 21 2023 a rosetta stone is an ancient stone upon which certain decrees were inscribed found in centuries ago how good are you in history how much do you know about the rosetta stone try out this quiz questions and answers 1 what is the

rosetta stone made of a quartz monzonite b diorite c granodiorite stele d feldspar granite

rosetta stone quizzes tests abebooks - Dec 07 2022

web the rosetta stone language library quizzes tests spanish i answer key by fairfield language technologies and a great selection of related books art and collectibles available now at abebooks com