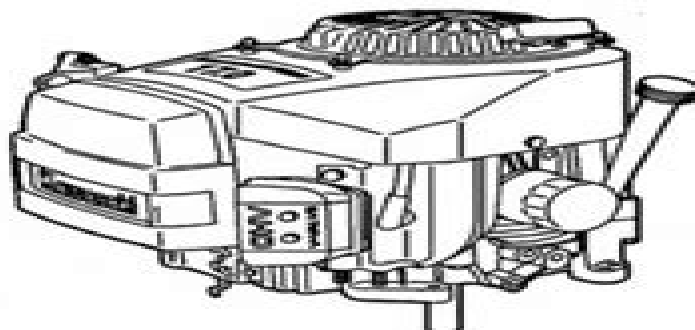




FH451V, FH500V, FH531V  
FH541V, FH580V, FH601V  
FH641V, FH661V, FH680V  
FH721V



## 4-Stroke Air-Cooled V-Twin Gasoline Engine **Service Manual**

# Kawasaki Fh 500 Manual

**Clifford Lane**



## **Kawasaki Fh 500 Manual:**

Thank you very much for downloading **Kawasaki Fh 500 Manual**. Most likely you have knowledge that, people have look numerous period for their favorite books bearing in mind this Kawasaki Fh 500 Manual, but end going on in harmful downloads.

Rather than enjoying a good ebook once a mug of coffee in the afternoon, on the other hand they juggled subsequent to some harmful virus inside their computer. **Kawasaki Fh 500 Manual** is comprehensible in our digital library an online entry to it is set as public suitably you can download it instantly. Our digital library saves in multiple countries, allowing you to get the most less latency time to download any of our books taking into consideration this one. Merely said, the Kawasaki Fh 500 Manual is universally compatible bearing in mind any devices to read.

[https://www.splashdogs.com/results/scholarship/Documents/Manual\\_For\\_Jd\\_180\\_Mower.pdf](https://www.splashdogs.com/results/scholarship/Documents/Manual_For_Jd_180_Mower.pdf)

## **Table of Contents Kawasaki Fh 500 Manual**

1. Understanding the eBook Kawasaki Fh 500 Manual
  - The Rise of Digital Reading Kawasaki Fh 500 Manual
  - Advantages of eBooks Over Traditional Books
2. Identifying Kawasaki Fh 500 Manual
  - Exploring Different Genres
  - Considering Fiction vs. Non-Fiction
  - Determining Your Reading Goals
3. Choosing the Right eBook Platform
  - Popular eBook Platforms
  - Features to Look for in an Kawasaki Fh 500 Manual
  - User-Friendly Interface
4. Exploring eBook Recommendations from Kawasaki Fh 500 Manual
  - Personalized Recommendations
  - Kawasaki Fh 500 Manual User Reviews and Ratings

- Kawasaki Fh 500 Manual and Bestseller Lists
- 5. Accessing Kawasaki Fh 500 Manual Free and Paid eBooks
  - Kawasaki Fh 500 Manual Public Domain eBooks
  - Kawasaki Fh 500 Manual eBook Subscription Services
  - Kawasaki Fh 500 Manual Budget-Friendly Options
- 6. Navigating Kawasaki Fh 500 Manual eBook Formats
  - ePub, PDF, MOBI, and More
  - Kawasaki Fh 500 Manual Compatibility with Devices
  - Kawasaki Fh 500 Manual Enhanced eBook Features
- 7. Enhancing Your Reading Experience
  - Adjustable Fonts and Text Sizes of Kawasaki Fh 500 Manual
  - Highlighting and Note-Taking Kawasaki Fh 500 Manual
  - Interactive Elements Kawasaki Fh 500 Manual
- 8. Staying Engaged with Kawasaki Fh 500 Manual
  - Joining Online Reading Communities
  - Participating in Virtual Book Clubs
  - Following Authors and Publishers Kawasaki Fh 500 Manual
- 9. Balancing eBooks and Physical Books Kawasaki Fh 500 Manual
  - Benefits of a Digital Library
  - Creating a Diverse Reading Collection Kawasaki Fh 500 Manual
- 10. Overcoming Reading Challenges
  - Dealing with Digital Eye Strain
  - Minimizing Distractions
  - Managing Screen Time
- 11. Cultivating a Reading Routine Kawasaki Fh 500 Manual
  - Setting Reading Goals Kawasaki Fh 500 Manual
  - Carving Out Dedicated Reading Time
- 12. Sourcing Reliable Information of Kawasaki Fh 500 Manual
  - Fact-Checking eBook Content of Kawasaki Fh 500 Manual
  - Distinguishing Credible Sources

13. Promoting Lifelong Learning
  - Utilizing eBooks for Skill Development
  - Exploring Educational eBooks
14. Embracing eBook Trends
  - Integration of Multimedia Elements
  - Interactive and Gamified eBooks

### **Kawasaki Fh 500 Manual Introduction**

Kawasaki Fh 500 Manual Offers over 60,000 free eBooks, including many classics that are in the public domain. Open Library: Provides access to over 1 million free eBooks, including classic literature and contemporary works. Kawasaki Fh 500 Manual Offers a vast collection of books, some of which are available for free as PDF downloads, particularly older books in the public domain. Kawasaki Fh 500 Manual : This website hosts a vast collection of scientific articles, books, and textbooks. While it operates in a legal gray area due to copyright issues, its a popular resource for finding various publications. Internet Archive for Kawasaki Fh 500 Manual : Has an extensive collection of digital content, including books, articles, videos, and more. It has a massive library of free downloadable books. Free-eBooks Kawasaki Fh 500 Manual Offers a diverse range of free eBooks across various genres. Kawasaki Fh 500 Manual Focuses mainly on educational books, textbooks, and business books. It offers free PDF downloads for educational purposes. Kawasaki Fh 500 Manual Provides a large selection of free eBooks in different genres, which are available for download in various formats, including PDF. Finding specific Kawasaki Fh 500 Manual, especially related to Kawasaki Fh 500 Manual, might be challenging as theyre often artistic creations rather than practical blueprints. However, you can explore the following steps to search for or create your own Online Searches: Look for websites, forums, or blogs dedicated to Kawasaki Fh 500 Manual, Sometimes enthusiasts share their designs or concepts in PDF format. Books and Magazines Some Kawasaki Fh 500 Manual books or magazines might include. Look for these in online stores or libraries. Remember that while Kawasaki Fh 500 Manual, sharing copyrighted material without permission is not legal. Always ensure youre either creating your own or obtaining them from legitimate sources that allow sharing and downloading. Library Check if your local library offers eBook lending services. Many libraries have digital catalogs where you can borrow Kawasaki Fh 500 Manual eBooks for free, including popular titles. Online Retailers: Websites like Amazon, Google Books, or Apple Books often sell eBooks. Sometimes, authors or publishers offer promotions or free periods for certain books. Authors Website Occasionally, authors provide excerpts or short stories for free on their websites. While this might not be the Kawasaki Fh 500 Manual full book , it can give you a taste of the authors writing style. Subscription Services Platforms like Kindle Unlimited or Scribd offer subscription-based access to a wide range of

---

Kawasaki Fh 500 Manual eBooks, including some popular titles.

## FAQs About Kawasaki Fh 500 Manual Books

**What is a Kawasaki Fh 500 Manual PDF?** A PDF (Portable Document Format) is a file format developed by Adobe that preserves the layout and formatting of a document, regardless of the software, hardware, or operating system used to view or print it. **How do I create a Kawasaki Fh 500 Manual PDF?** There are several ways to create a PDF: Use software like Adobe Acrobat, Microsoft Word, or Google Docs, which often have built-in PDF creation tools. Print to PDF: Many applications and operating systems have a "Print to PDF" option that allows you to save a document as a PDF file instead of printing it on paper. Online converters: There are various online tools that can convert different file types to PDF. **How do I edit a Kawasaki Fh 500 Manual PDF?** Editing a PDF can be done with software like Adobe Acrobat, which allows direct editing of text, images, and other elements within the PDF. Some free tools, like PDFescape or Smallpdf, also offer basic editing capabilities. **How do I convert a Kawasaki Fh 500 Manual PDF to another file format?** There are multiple ways to convert a PDF to another format: Use online converters like Smallpdf, Zamzar, or Adobe Acrobats export feature to convert PDFs to formats like Word, Excel, JPEG, etc. Software like Adobe Acrobat, Microsoft Word, or other PDF editors may have options to export or save PDFs in different formats. **How do I password-protect a Kawasaki Fh 500 Manual PDF?** Most PDF editing software allows you to add password protection. In Adobe Acrobat, for instance, you can go to "File" -> "Properties" -> "Security" to set a password to restrict access or editing capabilities. Are there any free alternatives to Adobe Acrobat for working with PDFs? Yes, there are many free alternatives for working with PDFs, such as: LibreOffice: Offers PDF editing features. PDFsam: Allows splitting, merging, and editing PDFs. Foxit Reader: Provides basic PDF viewing and editing capabilities. How do I compress a PDF file? You can use online tools like Smallpdf, ILovePDF, or desktop software like Adobe Acrobat to compress PDF files without significant quality loss. Compression reduces the file size, making it easier to share and download. Can I fill out forms in a PDF file? Yes, most PDF viewers/editors like Adobe Acrobat, Preview (on Mac), or various online tools allow you to fill out forms in PDF files by selecting text fields and entering information. Are there any restrictions when working with PDFs? Some PDFs might have restrictions set by their creator, such as password protection, editing restrictions, or print restrictions. Breaking these restrictions might require specific software or tools, which may or may not be legal depending on the circumstances and local laws.

**Find Kawasaki Fh 500 Manual :**

**manual for jd 180 mower**

~~manual for honda shadow vt700~~

~~manual for brother mfc 7220 fax machine~~

manual for suzuki ignis

*manual for titan 8 welder*

manual for nikon d70s camera

**manual for case 580m backhoe**

**manual for thinking particles**

*manual for simplicity bassinet*

manual for car repair

*manual for cgc25*

manual for sears router lathe

**manual for john deere d105**

*manual for hp deskjet 6988*

**manual for star trek legacy**

**Kawasaki Fh 500 Manual :**

**amazon com the rival queens catherine de medici her** - Oct 22 2021

**rival queens elizabeth i and catherine de medici podcast** - Dec 24 2021

the rival queens catherine de medici her daughter - Apr 27 2022

web rival queens elizabeth i and catherine de medici podcast episode 2021 on imdb plot summary synopsis and more menu  
movies rival queens elizabeth i and

**decadence and trauma delving into the emotional and political** - Dec 04 2022

web jun 23 2015 the rival queens catherine de medici her daughter marguerite de valois and the betrayal that ignited a  
kingdom by nancy goldstone publication date

*the rival queens catherine de medici her daughter marguerite* - Mar 27 2022



web her youngest daughter marguerite the glamorous queen margot was a passionate free spirit the only adversary whom her mother could neither intimidate nor control when

**the rival queens catherine de medici her daughter** - Aug 12 2023

web the rival queens catherine de medici her daughter marguerite de valois and the betrayal that ignited a kingdom goldstone nancy bazelon author free download

*the rival queens catherine de medici her daughter* - Mar 07 2023

web oct 10 2023 a new book evokes the tumultuous nature of 16th century europe through the eyes of three queens catherine de medici her daughter elisabeth and her daughter

*the rival queens catherine de medici her daughter* - Nov 03 2022

web jun 23 2015 the rival queens catherine de medici her daughter marguerite de valois and the betrayal that ignited a kingdom ebook goldstone nancy amazon ca

the rival queens catherine de medici her - Oct 02 2022

web nancy goldstone the rival queens catherine de medici her daughter marguerite de valois and the betrayal that ignited a kingdom kindle edition by nancy goldstone

the rival queens catherine de medici her daughter - May 09 2023

web the rival queens catherine de medici her daughter marguerite de valois and the betrayal that ignited a kingdom author nancy goldstone author summary

*the rival queens catherine de medici her daughter marguerite* - Feb 06 2023

web catherine de medici the infamous queen mother of france was a consummate pragmatist and powerbroker who dominated the throne for 30 years her youngest

the rival queens catherine de medici her daughter - Nov 22 2021

**the rival queens catherine de medici her daughter** - Feb 23 2022

web jun 23 2015 the rival queens catherine de medici her daughter marguerite de valois and the betrayal that ignited a kingdom kindle edition by goldstone nancy

*the rival queens catherine de medici her daughter marguerite* - Jan 05 2023

web as a catholic power broker de medici manipulated friends and rivals in her meticulous plan to ensure the marriage of her reluctant daughter marguerite marriage to a french

*the rival queens catherine de medici her daughter* - Jul 31 2022

web jun 18 2015 the rival queens catherine de medici her daughter marguerite de valois and the betrayal that ignited a

kingdom kindle edition by nancy goldstone

*the rival queens catherine de medici her daughter* - Apr 08 2023

web her youngest daughter marguerite the glamorous queen margot is a passionate free spirit the only adversary whom her mother can neither intimidate nor fully control when

*the rival queens catherine de medici her daughter* - Sep 13 2023

web jun 18 2015 nancy goldstone presents a dual biography of this mother daughter force in the rival queens catherine de medici her daughter marquerite de valois and the

**the rival queens catherine de medici her daughter marguerite** - May 29 2022

web the rival queens catherine de medici her daughter marguerite de valois and the betrayal that ignited a kingdom set in magnificent renaissance france this is the

*the rival queens catherine de medici her daughter* - Jan 25 2022

**the rival queens catherine de medici her daughter marguerite** - Jun 10 2023

web buy the rival queens catherine de medici her daughter marguerite de valois and the betrayal that ignited a kingdom by goldstone nancy isbn 9780297868637 from

*the rival queens catherine de medici her daughter* - Jun 29 2022

web the rival queens catherine de medici her daughter marguerite de valois and the betrayal that ignited a kingdom audiobook written by nancy goldstone narrated by

**the rival queens by nancy goldstone catherine de** - Jul 11 2023

web jun 23 2015 the riveting true story of mother and daughter queens catherine de medici and marguerite de valois whose wildly divergent personalities and turbulent

**the rival queens catherine de medici her daughter** - Sep 01 2022

web amazon com the rival queens catherine de medici her daughter marguerite de valois and the betrayal that ignited a kingdom audible audio edition nancy

practice exams acs exams university of wisconsin milwaukee - Jun 13 2023

web to order a tutorial or practice exam click here bundles of our practice exams with our study guides is also available and offers a savings when purchased together we have two major types of products available tutorial exams and practice exams tutorial exams providing feedback throughout the test taking process

*acs division of chemical education examinations institute* - Sep 04 2022

web analytical chemistry practice exam physical chemistry study guide both thermodynamics and quantum chemistry are

included acs exams study materials are available year round with study guides shipped directly to your home or campus and online practice exams available immediately after purchase these include study guides with many items

**is there an acs study guide for the analytical exam r chemistry reddit** - Apr 30 2022

web nov 25 2014 is there an acs study guide for the analytical exam i m going to use the acs test as the final for my analytical chemistry class i was 95 sure that i used an acs study guide to review for my grad school comp but now i can t find it for my students to buy does anyone know anything about it 0 science 4 comments best add a comment

**student study materials acs exams university of** - Feb 09 2023

web students who are going to be taking an acs examinations institute exam have study materials available in some areas the institute is always working to expand this array of study materials right now there are three printed study guides we also have a variety of practice tests for students

**acs practice exam for acs chemistry final practice exams** - Nov 06 2022

web online acs practice exam 29 90 days general chemistry 1 acs practice exam video solution for every question online instant access practice exam and solutions unlimited access for 90 days tips video for the chemistry acs exam

**acs exams institute** - Oct 05 2022

web acs exams news acs exams institute will be closed in observance of labor day monday september 4 2023 all orders made after 1 30 pm mst on friday september 1st through monday will not be processed until tuesday september 5 2023 orders for overnight delivery made on friday september 1st before 1 30pm mst will be delivered

**quantitative analysis practice test questions final exam** - Feb 26 2022

web test and improve your knowledge of quantitative analysis with fun multiple choice exams you can take online with study com

**acs quantitative analysis exam study guide educacion cc** - Jan 28 2022

web jul 7 2023 welcome to my comprehensive study guide for the acs quantitative analysis exam as an experienced educator i understand the challenges students face when preparing for this exam and i m here to help you navigate through it with ease

*analytical chemistry supplement american chemical society* - Dec 07 2022

web what is the analyte what is the nature of the sample what information is needed qualitative quantitative what level s of analyte s is are expected for quantitative analysis what is the detection threshold and what is the required precision and accuracy selection of analytical method

acs quantitative analysis exam flashcards quizlet - Jul 14 2023

web interference by other species in the sample traces of analyte in reagents what is a method blank all components except

for the analyte taken through all steps of the analytical procedure subtract response of method blank from response of sample before calculating the quantity of analyte

[analytical chemistry standardized national acs exam r chemistry reddit](#) - Mar 10 2023

web nov 25 2017 acs has no guide for either quantitative analysis or instrumental analysis they make different tests for both you can purchase a practice exam to take online from here but that is geared towards quant there s also a

**acs quantitative analysis study guide university of utah** - Mar 30 2022

web improved practice test questions with complete answer explanations this includes all of the questions from the book plus four additional online only practice exams each with 125 unique questions you can use the online only practice exams as full exam simulations our questions will help you identify where you need to study more

**quantitative chemical analysis exam 1 practice problems quizlet** - May 12 2023

web qualitative analysis tells us what is present and quantitative tells us how much is present list the steps in a chemical analysis formulate the question select an analytical procedure obtain samples sample preparation analysis reporting and interpretation drawing conclusions

[exams acs exams university of wisconsin milwaukee](#) - Apr 11 2023

web exams acs exams exams we are currently only trial testing one exam this academic year 2022 2023 pl23 2023 polymer exam we expect to trial test new exams starting fall 2023 new editions of acs exams have been released recently in late 2022 with more exams planned for 2023

**analytical chemistry practice exams** - Aug 03 2022

web acs exams study materials company policies shopping cart checkout my account faq about us acs exams study materials analytical chemistry practice exams cart summary your cart is empty view cart search search navigation acs exams study materials general chemistry organic chemistry physical chemistry

**quantitative analysis acs exam** - Dec 27 2021

web acs quantitative analysis practice exam internal loss data 2 high performance liquid chromatography hplc facilitates the rapid quantitative we recommend that you read the textbook chapter first then complete the study guide activities for that chapter complete each study guide chapter in order study notes wordpress

[acs practice test 1 pdf chemical equilibrium scribd](#) - Jun 01 2022

web 35 a sample of nitrogen at pressure  $p$  is contained in a sealed syringe with a movable piston if the volume of the sample were doubled and the absolute temperature tripled the new pressure of the gas would be a 6 0 p b 5 0 p

**acs general chemistry practice test 2023 mometrix test** - Jul 02 2022

web jul 19 2023 the acs general chemistry exam contains 70 multiple choice questions and has a time limit of 110 minutes

there are ten main content categories on the exam atomic structure molecular structure and bonding stoichiometry states of matter or solutions energetics thermochemistry of thermodynamics dynamics equilibrium

**acs quantitative chemical analysis final exam flashcards** - Aug 15 2023

web study with quizlet and memorize flashcards containing terms like a portion of a sample a solution whose composition is known accurately the substance of interest in a chemical analysis the substance being measured and more

exams acs exams acs quantitative analysis practice exam - Jan 08 2023

web are are currently only trial testing one exam this academic year 2022 2023 pl23 2023 polymer review we expect to trial examine new exams starting fall 2023 new editions of acs trials hold been released recently in tardy 2022 with more examinations designed for

**sewing books palmer pletsch teaching sewing since 1973** - Mar 31 2022

web the palmer pletsch complete guide to fitting sewing book 34 95 39 95 rated 5 00 out of 5 select options quick view pants for real people pants book on fitting and sewing 27 95 32 95 rated 5 00 out of 5 select options quick view fit and sew custom jeans sewing book 32 95 37 95 0 select options quick view

*amazon com customer reviews the palmer pletsch complete guide* - Jun 02 2022

web find helpful customer reviews and review ratings for the palmer pletsch complete guide to fitting sew great clothes for every body fit any fashion pattern sewing for real people series at amazon com read honest and unbiased product reviews from our users

**palmer pletsch complete guide to fitting paperback** - Dec 08 2022

web sep 1 2018 synopsis from tissue fitting pioneers pati palmer and marta alto comes a new book whose title says it all the palmer pletsch complete guide to fitting sew great clothes for every body fit any fashion pattern it s been 20 years since their last book about fitting and altering sewing patterns fit for real people

**the palmer pletsch complete guide to fitting sew great** - Sep 17 2023

web sep 1 2018 from tissue fitting pioneers pati palmer and marta alto comes a new book whose title says it the palmer pletsch complete guide to sew great clothes for every body fit any fashion pattern it s been 20 years since their last book about fitting and altering sewing patterns fit for real people

*the palmer pletsch complete guide to fitting open library* - Sep 05 2022

web sep 1 2018 source title the palmer pletsch complete guide to fitting sew great clothes for every body fit any fashion pattern sewing for real people series

*the palmer pletsch complete guide to fitting sew great* - Aug 16 2023

web sep 1 2018 the palmer pletsch complete guide to fitting sew great clothes for every body fit any fashion pattern sewing

for real people series palmer pati alto marta 9781618471017 amazon com books books

[the palmer pletsch complete guide to fitting sew great](#) - Jan 09 2023

web sep 1 2018 overview from tissue fitting pioneers pati palmer and marta alto comes a new book whose title says it all the palmer pletsch complete guide to fitting sew great clothes for every body fit any fashion pattern it s been 20 years since their last book about fitting and altering sewing patterns fit for real people

[palmer pletsch complete guide to fitting angus robertson](#) - Feb 10 2023

web sep 1 2018 product details delivery from tissue fitting pioneers pati palmer and marta alto comes a new book whose title says it all the palmer pletsch complete guide to fitting sew great clothes for every body fit any fashion pattern it s been 20 years since their last book about fitting and altering sewing patterns fit for real people

*the palmer pletsch complete guide to fitting booktopia* - May 13 2023

web sep 1 2018 booktopia has the palmer pletsch complete guide to fitting sew great clothes for every body fit any fashion pattern by pati palmer buy a discounted paperback of the palmer pletsch complete guide to fitting online from australia s leading online bookstore

**the palmer pletsch complete guide to fitting google books** - Nov 07 2022

web the palmer pletsch complete guide to fitting sew great clothes for every pati palmer marta alto google books from tissue fitting pioneers pati palmer and marta alto

**complete guide to fitting spiral book plus pattern paper palmer pletsch** - May 01 2022

web with our complete guide to fitting book by pati palmer and marta alto you ll learn all facets of pattern fitting and alteration to give you the background and guidance needed to achieve a custom fit on any pattern from any company the spiral binding makes it

**the palmer pletsch complete guide to fitting pati palmer** - Jul 03 2022

web with the palmer pletsch complete guide to fitting you ll learn all facets of bodice and skirt pattern fitting and alteration to give you the background and guidance needed to achieve a custom fit on any pattern from any company

**palmer pletsch complete guide to fitting sew grea 2023** - Feb 27 2022

web palmer pletsch complete guide to fitting sew grea understanding and adjusting sewing patterns nov 16 2021 everyone feels good and looks better in well fitted clothes this practical book explains how to make garments that really fit you and flatter your shape it is a step by step guide to understanding fully what

**the palmer pletsch complete guide to fitting sewing studio** - Mar 11 2023

web fit any fashion pattern by pati palmer and marta alto with this new complete guide to fitting you ll learn all facets of pattern fitting and alteration to give you the background and guidance needed to achieve a custom fit on any pattern from

any company

[the palmer pletsch complete guide to fitting blackwell s](#) - Aug 04 2022

web sep 1 2018 the palmer pletsch complete guide to fitting sew great clothes for every body fit any fashion pattern pati palmer marta alto paperback 01 sep 2018 save 3 53 i rrp 38 17 34 64 add to basket includes delivery to the united states 10 copies available online usually dispatched within 72 hours publisher s synopsis

[the palmer pletsch complete guide to fitting sewing book](#) - Oct 18 2023

web the palmer pletsch complete guide to fitting sewing book rated 5 00 out of 5 based on 1 customer rating 1 customer review 34 95 39 95 sew great clothes for every body fit any fashion pattern by pati palmer and marta alto

**the palmer pletsch complete guide to fitting sew great** - Jul 15 2023

web the palmer pletsch complete guide to fitting sew great clothes for every body fit any fashion pattern palmer pati alto marta amazon com au books

**the palmer pletsch complete guide to fitting** - Oct 06 2022

web dec 9 2018 books online the palmer pletsch complete guide to fitting sew great clothes for every body fit any fashion pattern sewing for real people 2018 fishpond com au the palmer pletsch complete guide to fitting pati alto palmer shop online for books in australia

**the palmer pletsch complete guide to fitting sew great** - Jun 14 2023

web buy the palmer pletsch complete guide to fitting sew great clothes for every body fit any fashion pattern sewing for real people illustrated by palmer pati alto marta isbn 9781618471017 from amazon s book store everyday low prices and free delivery on eligible orders

**the palmer pletsch complete guide to fitting sew great** - Apr 12 2023

web condition new paperback a beautifully illustrated and technically authoritative guide from tissue fitting pioneers pati palmer and marta alto comes a new book whose title says it all the palmer pletsch complete guide to fitting sew great clothes for every body fit any fashion pattern