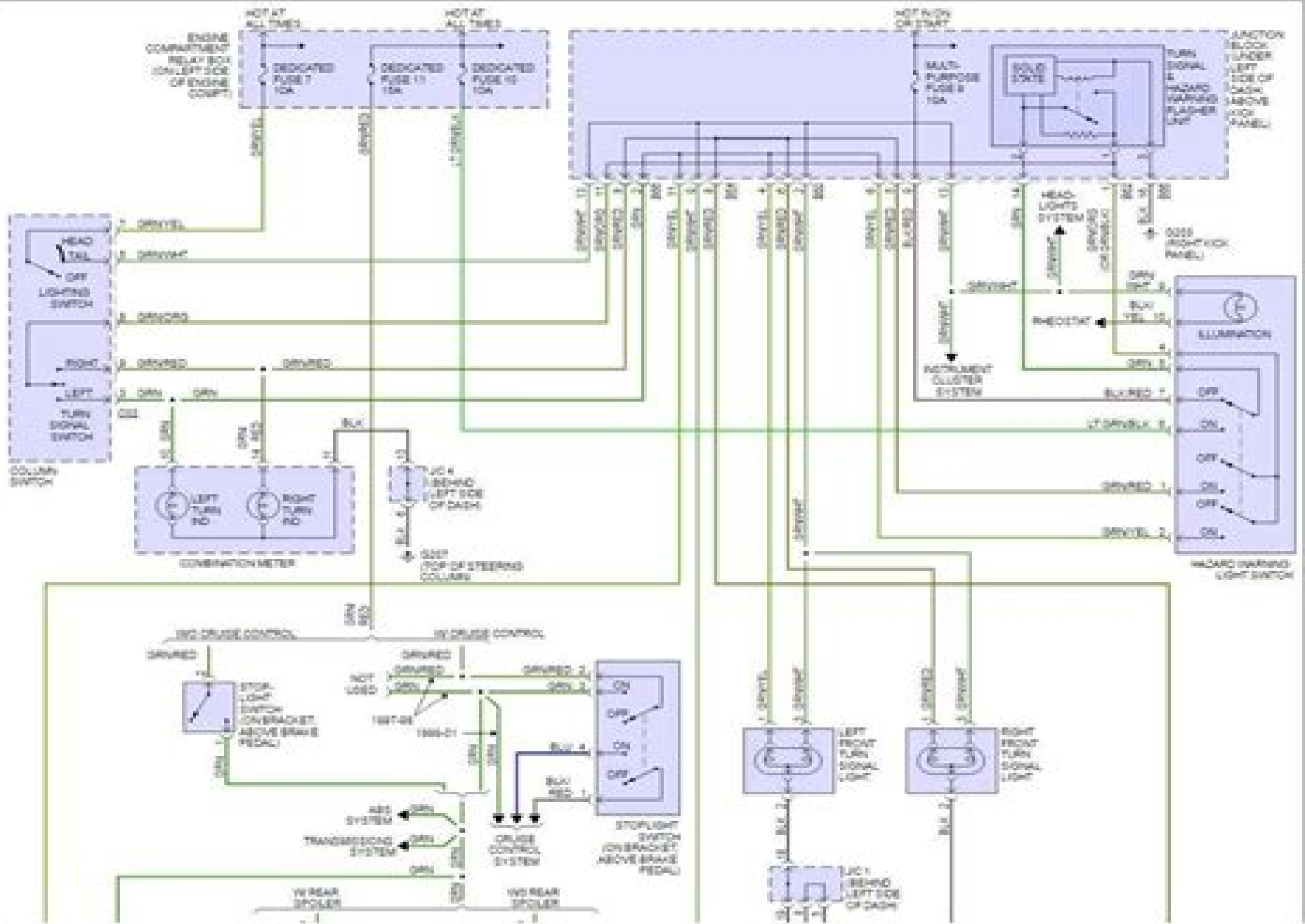


Fig 2: Exterior Lamps Circuit



Mitsubishi Mirage 1989 Wiring Diagram

Xiang Xie



Mitsubishi Mirage 1989 Wiring Diagram:

Eventually, you will entirely discover a supplementary experience and skill by spending more cash. nevertheless when? accomplish you take on that you require to acquire those every needs in imitation of having significantly cash? Why dont you try to acquire something basic in the beginning? Thats something that will guide you to understand even more re the globe, experience, some places, past history, amusement, and a lot more?

It is your utterly own become old to acquit yourself reviewing habit. among guides you could enjoy now is **Mitsubishi Mirage 1989 Wiring Diagram** below.

https://www.splashdogs.com/About/uploaded-files/default.aspx/Guide_Maintenance_Pool_Repair_Rookies_Table.pdf

Table of Contents Mitsubishi Mirage 1989 Wiring Diagram

1. Understanding the eBook Mitsubishi Mirage 1989 Wiring Diagram
 - The Rise of Digital Reading Mitsubishi Mirage 1989 Wiring Diagram
 - Advantages of eBooks Over Traditional Books
2. Identifying Mitsubishi Mirage 1989 Wiring Diagram
 - Exploring Different Genres
 - Considering Fiction vs. Non-Fiction
 - Determining Your Reading Goals
3. Choosing the Right eBook Platform
 - Popular eBook Platforms
 - Features to Look for in an Mitsubishi Mirage 1989 Wiring Diagram
 - User-Friendly Interface
4. Exploring eBook Recommendations from Mitsubishi Mirage 1989 Wiring Diagram
 - Personalized Recommendations
 - Mitsubishi Mirage 1989 Wiring Diagram User Reviews and Ratings
 - Mitsubishi Mirage 1989 Wiring Diagram and Bestseller Lists
5. Accessing Mitsubishi Mirage 1989 Wiring Diagram Free and Paid eBooks

- Mitsubishi Mirage 1989 Wiring Diagram Public Domain eBooks
 - Mitsubishi Mirage 1989 Wiring Diagram eBook Subscription Services
 - Mitsubishi Mirage 1989 Wiring Diagram Budget-Friendly Options
6. Navigating Mitsubishi Mirage 1989 Wiring Diagram eBook Formats
 - ePub, PDF, MOBI, and More
 - Mitsubishi Mirage 1989 Wiring Diagram Compatibility with Devices
 - Mitsubishi Mirage 1989 Wiring Diagram Enhanced eBook Features
 7. Enhancing Your Reading Experience
 - Adjustable Fonts and Text Sizes of Mitsubishi Mirage 1989 Wiring Diagram
 - Highlighting and Note-Taking Mitsubishi Mirage 1989 Wiring Diagram
 - Interactive Elements Mitsubishi Mirage 1989 Wiring Diagram
 8. Staying Engaged with Mitsubishi Mirage 1989 Wiring Diagram
 - Joining Online Reading Communities
 - Participating in Virtual Book Clubs
 - Following Authors and Publishers Mitsubishi Mirage 1989 Wiring Diagram
 9. Balancing eBooks and Physical Books Mitsubishi Mirage 1989 Wiring Diagram
 - Benefits of a Digital Library
 - Creating a Diverse Reading Collection Mitsubishi Mirage 1989 Wiring Diagram
 10. Overcoming Reading Challenges
 - Dealing with Digital Eye Strain
 - Minimizing Distractions
 - Managing Screen Time
 11. Cultivating a Reading Routine Mitsubishi Mirage 1989 Wiring Diagram
 - Setting Reading Goals Mitsubishi Mirage 1989 Wiring Diagram
 - Carving Out Dedicated Reading Time
 12. Sourcing Reliable Information of Mitsubishi Mirage 1989 Wiring Diagram
 - Fact-Checking eBook Content of Mitsubishi Mirage 1989 Wiring Diagram
 - Distinguishing Credible Sources
 13. Promoting Lifelong Learning
 - Utilizing eBooks for Skill Development

- Exploring Educational eBooks
- 14. Embracing eBook Trends
 - Integration of Multimedia Elements
 - Interactive and Gamified eBooks

Mitsubishi Mirage 1989 Wiring Diagram Introduction

Free PDF Books and Manuals for Download: Unlocking Knowledge at Your Fingertips In today's fast-paced digital age, obtaining valuable knowledge has become easier than ever. Thanks to the internet, a vast array of books and manuals are now available for free download in PDF format. Whether you are a student, professional, or simply an avid reader, this treasure trove of downloadable resources offers a wealth of information, conveniently accessible anytime, anywhere. The advent of online libraries and platforms dedicated to sharing knowledge has revolutionized the way we consume information. No longer confined to physical libraries or bookstores, readers can now access an extensive collection of digital books and manuals with just a few clicks. These resources, available in PDF, Microsoft Word, and PowerPoint formats, cater to a wide range of interests, including literature, technology, science, history, and much more. One notable platform where you can explore and download free Mitsubishi Mirage 1989 Wiring Diagram PDF books and manuals is the internet's largest free library. Hosted online, this catalog compiles a vast assortment of documents, making it a veritable goldmine of knowledge. With its easy-to-use website interface and customizable PDF generator, this platform offers a user-friendly experience, allowing individuals to effortlessly navigate and access the information they seek. The availability of free PDF books and manuals on this platform demonstrates its commitment to democratizing education and empowering individuals with the tools needed to succeed in their chosen fields. It allows anyone, regardless of their background or financial limitations, to expand their horizons and gain insights from experts in various disciplines. One of the most significant advantages of downloading PDF books and manuals lies in their portability. Unlike physical copies, digital books can be stored and carried on a single device, such as a tablet or smartphone, saving valuable space and weight. This convenience makes it possible for readers to have their entire library at their fingertips, whether they are commuting, traveling, or simply enjoying a lazy afternoon at home. Additionally, digital files are easily searchable, enabling readers to locate specific information within seconds. With a few keystrokes, users can search for keywords, topics, or phrases, making research and finding relevant information a breeze. This efficiency saves time and effort, streamlining the learning process and allowing individuals to focus on extracting the information they need. Furthermore, the availability of free PDF books and manuals fosters a culture of continuous learning. By removing financial barriers, more people can access educational resources and pursue lifelong learning, contributing to personal growth and professional development. This democratization of knowledge promotes

intellectual curiosity and empowers individuals to become lifelong learners, promoting progress and innovation in various fields. It is worth noting that while accessing free Mitsubishi Mirage 1989 Wiring Diagram PDF books and manuals is convenient and cost-effective, it is vital to respect copyright laws and intellectual property rights. Platforms offering free downloads often operate within legal boundaries, ensuring that the materials they provide are either in the public domain or authorized for distribution. By adhering to copyright laws, users can enjoy the benefits of free access to knowledge while supporting the authors and publishers who make these resources available. In conclusion, the availability of Mitsubishi Mirage 1989 Wiring Diagram free PDF books and manuals for download has revolutionized the way we access and consume knowledge. With just a few clicks, individuals can explore a vast collection of resources across different disciplines, all free of charge. This accessibility empowers individuals to become lifelong learners, contributing to personal growth, professional development, and the advancement of society as a whole. So why not unlock a world of knowledge today? Start exploring the vast sea of free PDF books and manuals waiting to be discovered right at your fingertips.

FAQs About Mitsubishi Mirage 1989 Wiring Diagram Books

How do I know which eBook platform is the best for me? Finding the best eBook platform depends on your reading preferences and device compatibility. Research different platforms, read user reviews, and explore their features before making a choice. Are free eBooks of good quality? Yes, many reputable platforms offer high-quality free eBooks, including classics and public domain works. However, make sure to verify the source to ensure the eBook credibility. Can I read eBooks without an eReader? Absolutely! Most eBook platforms offer webbased readers or mobile apps that allow you to read eBooks on your computer, tablet, or smartphone. How do I avoid digital eye strain while reading eBooks? To prevent digital eye strain, take regular breaks, adjust the font size and background color, and ensure proper lighting while reading eBooks. What the advantage of interactive eBooks? Interactive eBooks incorporate multimedia elements, quizzes, and activities, enhancing the reader engagement and providing a more immersive learning experience. Mitsubishi Mirage 1989 Wiring Diagram is one of the best book in our library for free trial. We provide copy of Mitsubishi Mirage 1989 Wiring Diagram in digital format, so the resources that you find are reliable. There are also many Ebooks of related with Mitsubishi Mirage 1989 Wiring Diagram. Where to download Mitsubishi Mirage 1989 Wiring Diagram online for free? Are you looking for Mitsubishi Mirage 1989 Wiring Diagram PDF? This is definitely going to save you time and cash in something you should think about. If you trying to find then search around for online. Without a doubt there are numerous these available and many of them have the freedom. However without doubt you receive whatever you purchase. An alternate way to get ideas is always to check another Mitsubishi Mirage 1989 Wiring Diagram. This method for see exactly what may be included and

adopt these ideas to your book. This site will almost certainly help you save time and effort, money and stress. If you are looking for free books then you really should consider finding to assist you try this. Several of Mitsubishi Mirage 1989 Wiring Diagram are for sale to free while some are payable. If you arent sure if the books you would like to download works with for usage along with your computer, it is possible to download free trials. The free guides make it easy for someone to free access online library for download books to your device. You can get free download on free trial for lots of books categories. Our library is the biggest of these that have literally hundreds of thousands of different products categories represented. You will also see that there are specific sites catered to different product types or categories, brands or niches related with Mitsubishi Mirage 1989 Wiring Diagram. So depending on what exactly you are searching, you will be able to choose e books to suit your own need. Need to access completely for Campbell Biology Seventh Edition book? Access Ebook without any digging. And by having access to our ebook online or by storing it on your computer, you have convenient answers with Mitsubishi Mirage 1989 Wiring Diagram To get started finding Mitsubishi Mirage 1989 Wiring Diagram, you are right to find our website which has a comprehensive collection of books online. Our library is the biggest of these that have literally hundreds of thousands of different products represented. You will also see that there are specific sites catered to different categories or niches related with Mitsubishi Mirage 1989 Wiring Diagram So depending on what exactly you are searching, you will be able to choose ebook to suit your own need. Thank you for reading Mitsubishi Mirage 1989 Wiring Diagram. Maybe you have knowledge that, people have search numerous times for their favorite readings like this Mitsubishi Mirage 1989 Wiring Diagram, but end up in harmful downloads. Rather than reading a good book with a cup of coffee in the afternoon, instead they juggled with some harmful bugs inside their laptop. Mitsubishi Mirage 1989 Wiring Diagram is available in our book collection an online access to it is set as public so you can download it instantly. Our digital library spans in multiple locations, allowing you to get the most less latency time to download any of our books like this one. Merely said, Mitsubishi Mirage 1989 Wiring Diagram is universally compatible with any devices to read.

Find Mitsubishi Mirage 1989 Wiring Diagram :

guide maintenance pool repair rookies table

guide hornbill poem a photograph

guide to chicken meat cuts

guide planning planning strategic success

guide to over 60 oral sex

guide to learning languages fast

guide series shirts

guide to car detailing

guide to grammar and writing

guide rb26dett valve

guide to advancement

guide to male chastity

guide to essentials american government answer key

guide jobs in california

guide to prolonged sexual experience

Mitsubishi Mirage 1989 Wiring Diagram :

[abrsm music theory grade 8](#) - May 12 2023

web what does music theory grade 8 include increased harmonic vocabulary modulation completion of an outline from a trio sonata and a piano piece completion of a melody using a given opening score reading and music in context

abrsm model answers grade 8 musicroom com - Aug 03 2022

web music theory past papers 2016 model answers gr 8 item no 9781848498204 abrsm theory workbook book softcover practice papers

music theory past papers 2016 model answers abrsm grade 8 gr 8 - Dec 07 2022

web music theory past papers 2016 model answers abrsm grade 8 gr 8 music theory model answers abrsm sheet music 5 jan 2017 by abrsm arranger 4 8 159 ratings see all formats and editions sheet music 12 95 1 used from 12 95 essential practice material for all abrsm theory exam candidates contains four separate

abrsm exam preparation resources - Jul 14 2023

web a new series of graded workbooks and corresponding answer books that offer all round preparation for our new online music theory exams at grades 1 to 5 these full colour workbooks contain progressive exercises interspersed with timely explanations tips and reminders enabling learners to build up knowledge and understanding of music theory

music theory practice papers 2020 model answers abrsm grade 8 - Jun 13 2023

web abrsm abrsm s official model answers are a useful resource for students and teachers preparing for abrsm music theory exams this grade 8 collection contains answers for the four practice papers published in abrsm s music theory practice papers 2020 grade 8 and should be used alongside them

abrsm music theory practice papers 2020 abrsm grade 8 - Feb 26 2022

web abrsm s official music theory practice papers are essential resources for candidates preparing for abrsm music theory

exams this grade 8 collection contains answers for the four practice papers published in abrsm s music theory practice papers 2020 grade 8 and should be used alongside them

music theory practice papers 2019 model answers abrsm grade 8 music - Jun 01 2022

web buy music theory practice papers 2019 model answers abrsm grade 8 music theory model answers abrsm by abrsm isbn 9781786013804 from amazon s book store everyday low prices and free delivery on eligible orders

music theory practice papers 2018 model answers abrsm grade 8 - Dec 27 2021

web music theory practice papers 2018 model answers abrsm grade 8 the new papers are selected from the 2018 music theory exam papers and reflect the new question types that have been in use for the first time this year and are essential resources for candidates preparing for music theory exams

music theory practice papers model answers 2021 grade 8 abrsm - Aug 15 2023

web model answers for four practice papers from abrsm s 2021 music theory exams for grade 8 key features a list of correct answers where appropriate a selection of likely options where the answer can be expressed in a variety of ways a single exemplar where a composition style answer is required

music theory practice papers 2017 answers grade 8 abrsm - Mar 10 2023

web abrsm s official model answers are a useful resource for students and teachers preparing for abrsm music theory exams this grade 8 collection contains answers for the four practice papers published in abrsm s music theory practice papers 2017 grade 8 and should be used alongside them

abrsm grade 8 music theory complete course udemy - Apr 11 2023

web complete a romantic style piano piece learn how to compose a 12 bar composition for a solo orchestral instrument with modulation all general knowledge needed to answer the score based music theory questions in the exam pdf included with detailed explanations exercises and model answers

music theory practice papers 2019 abrsm grade 8 music theory - Jul 02 2022

web these grade 8 practice papers have been adapted from the 2019 music theory exam papers and contain four grade 8 papers to work through a set of corresponding model answers is available separately read more

music theory practice papers 2021 abrsm grade 8 theory of music - Nov 06 2022

web jan 6 2022 music theory practice papers 2021 abrsm grade 8 theory of music exam papers answers abrsm abrsm on amazon com free shipping on qualifying offers music theory practice papers 2021 abrsm grade 8 theory of music exam papers answers abrsm

grade eight music theory for abrsm candidates volume 8 - Apr 30 2022

web grade eight music theory for abrsm candidates volume 8 mymusictheory complete courses williams victoria amazon com

tr kitap

grade 8 abrsm theory music practice theory stack exchange - Mar 30 2022

web jan 17 2019 grade 8 abrsm theory weaknesses ask question asked 4 years 7 months ago modified 4 years 7 months ago viewed 478 times 0 i have taken the grade 8 abrsm theory exam twice now and have failed by a couple of marks my main weakness is question 2 completing the piano extract

abrsm grade 8 music theory exam essentials the monument - Jan 08 2023

web abrsm grade 8 music theory exam essentials the exam essentials that help music students learn how to answer abrsm grade 8 music theory questions so they can pass the exam with the best results in the shortest amount of time

abrsm music theory practice papers 2021 abrsm grade 8 theory - Oct 05 2022

web jan 6 2022 top ranking on trustpilot music theory practice papers 2021 abrsm grade 8 theory of music exam papers answers abrsm abrsm four separate papers from abrsm s 2021 music theory exams for grade 8 36 pages show all more by abrsm sheet music brass mix book 1 piano accompa 2022 abrsm 13 99 sheet

abrsm g8 2013 grade 8 theory answer pdf pdf scribd - Feb 09 2023

web for more information on how theory papers are marked and some general advice on taking theory exams please refer to the music theory grade 8 web page abrsm org theory8 using these answers answers are given in the same order and where possible in the same layout as in the exam papers making it easy to match

music theory practice papers 2021 grade 8 abrsm - Jan 28 2022

web in stock usually despatched within 24 48 hours estimated price converted from uk retail price four separate papers from abrsm s 2021 music theory exams for grade 8 essential practice material for all abrsm music theory exam candidates model answers also available

music theory practice papers 2021 abrsm grade 8 theory of music - Sep 04 2022

web buy music theory practice papers 2021 abrsm grade 8 theory of music exam papers answers abrsm by abrsm isbn 9781786014740 from amazon s book store everyday low prices and free delivery on eligible orders

solution enzymes lab worksheet studypool - Mar 15 2023

web explanation enzyme activity can be affected by a variety of factors such as temperature ph and concentration of the substrate and inhibitors ph affects the rate of reaction temperature affects the activity if it denatures the enzyme and concentration is the

mb lab 9 this is the lab manual from medical microbiology - Jul 19 2023

web which bacterial samples have cytochrome c oxidase as the terminal enzyme of their etc science labs 2018 differential and biochemical tests document continues below these are the answers to the lab manual for

ib lab 06 enzymes introductory biology lab activity 6 studocu - May 17 2023

web escience lab 8 enzymes experiment 1 optional review the information about enzymes provided in the escience labs menu 2 required under assignments procedures go to experiment 1 enzymes in food and read the procedure and these instructions a collect your supplies i

adamjee coaching enzymes short question answers biology - Nov 30 2021

web mar 28 2022 biology 9th class notes short question answers from chapter 6 enzymes science group sindh board ix class ninth biology notes 9th adamjee coaching at monday march 28 2022

enzymes questions practice enzymes khan academy - Jun 06 2022

web if an enzyme functions to enable the following reaction which type of catalytic strategy is most likely given the chemical reaction shown choose 1 answer choice a

escience answers to lab 9 enzymes muthukumarasamy - Nov 11 2022

web similar to this one merely said the escience answers to lab 9 enzymes is universally compatible like any devices to read biology 2e mary ann clark 2018 04 heritable human genome editing the royal society 2021 01 16 heritable human genome editing making changes to the genetic material of eggs sperm or any cells that lead

ap biology name enzyme catalysis lab livingston public schools - Jul 07 2022

web enzyme catalysis lab directions for lab questions and information you need to know for the quiz on the enzyme lab you do not have to write out any answers for questions 1 2 or 6 but you should know the information and be able to answer questions about the information on a quiz 1 you must know a the reaction being studied

downloadable free pdfs escience answers to lab 9 enzymes - Apr 04 2022

web escience answers to lab 9 enzymes problems of linear electron polaron transport theory in semiconductors apr 25 2023 problems of linear electron polaron transport theory in semiconductors summarizes and discusses the development of areas in electron transport theory in semiconductors with emphasis on the

lab 9 enzymes flashcards quizlet - Apr 16 2023

web what are the 3 functions of an enzyme orients substrate for reaction weakens chemical bonds of substrate by bending them creates optimum chemical environment for reactions to occur enzymes bond to the substrate in an fit induced when the enzyme and substrate combine it is refered to as the

lab 9 cellular respiration flashcards quizlet - Aug 08 2022

web lab 8 action of enzymes 15 terms thomas coll lab 7 membrane transport 17 terms thomas coll verified answer chemistry draw the structural formula for each of the following 2 tert butylpentane verified answer chemistry write the formulas of the products expected to form in the following situations

escience answers to lab 9 enzymes - Dec 12 2022

web escience answers to lab 9 enzymes this is likewise one of the factors by obtaining the soft documents of this escience answers to lab 9 enzymes by online you might not require more era to spend to go to the book introduction as with ease as search for them in some cases you likewise reach not discover the revelation escience answers to lab 9

escience answers to lab 9 enzymes pdf smcapproved - Mar 03 2022

web escience answers to lab 9 enzymes a framework for k 12 science education national research council 2012 02 28 science engineering and technology permeate nearly every facet of modern life and hold the key to solving many of humanity s most pressing current and future challenges the united states position

enzymes enzymes edexcel gcse biology single science - May 05 2022

web enzymes edexcel enzymes enzymes are biological catalysts which speed up reactions they are specific for their substrate the lock and key hypothesis models this

██████████ ██████████ - Jan 01 2022

web the ase ending is used to designate enzymes ██████████ rhizopus secrets this enzyme into the bread ██████████ these enzyme aggregates provide a mechanism ██████████ B glucuronidase is a notable exception ██████████

enzyme████ *enzyme*████████████████████ - Feb 02 2022

web enzymes are large molecular weight compounds ██████████ nitrate reductase is a short lived enzyme ██████████ the ase ending is used to designate enzymes ██████████

09 lab report 9 enzymes lab report 9 1 lab report 9 - Jun 18 2023

web substan ce tested iodinetest benedict s test 1 potato chips 2 glucose 3 saliva potato chips 4 boiled saliva potato chips 5 saliva acid potato chips startch and glucose must not be present it will alleur results because we will not know if salivary amylase caused or raised in sugar or

escience answers to lab 9 enzymes full pdf wiki lwn - Oct 10 2022

web continuous assault of sound and distractions however located within the lyrical pages of escience answers to lab 9 enzymes a interesting function of fictional brilliance that pulses with raw feelings lies an wonderful trip waiting to be embarked upon written with a virtuoso wordsmith this

e science enzyme lab studocu - Sep 21 2023

web how could you test to see if an enzyme was completely saturated during an experiment by increasing the substrate concentration and if the rate of the reaction increases the enzyme was not completely saturated if the rate of the reaction doesn t change then the

escience labs biology enzyme lab answers - Sep 09 2022

web escience labs biology enzyme lab answers we offer the book qualified escience labs biology enzyme lab answers created by escience labs enzymes experiment 1 enzymes in food april 27th 2018 escience labs enzymes is downloadable immediately after purchase and contains all of the answers to the

[i am doing an enzyme experiment regarding the effects of enzyme](#) - Feb 14 2023

web escience lab 9 experiments 1 and 2 tips and questions to answer tip 1 there is a lab demonstration video for this procedure you should watch it before starting tip 2 be sure you practice the balloon method shown on the demonstration video for capturing gasses before you actually begin the experiment

lab report 9 enzymes with data pdf course hero - Jan 13 2023

web 86 lab 9 enzymes data for enzyme concentration graph in part 1 of the lab report create a graph of the rate of enzyme activity versus enzyme concentration the rate values should be plotted on the y axis and the volume of enzyme solution on the x axis

e science lab 2 1 enzymes c biol 101 general biology - Oct 22 2023

web temperature o too cold enzyme will work slowly o too hot more reactions due to increased kinetic energy of molecules causing more interactions between enzymes ph o different enzymes work better in different ph s ph can affect the shape of the site where the enzyme bonds with the substrate causing it to lose ability to function properly

ib 1108 108 enzymes answer sheet p re l ab q uestions studocu - Aug 20 2023

web oct 9 2019 how could you test to see if an enzyme was completely saturated during an experiment by increasing the substrate concentration list three conditions that would alter the activity of an enzyme be specific with your explanation temperature ph and concentration can alter the activity of an enzyme

release of the government s white paper on the review of - Dec 04 2022

web the constitutional commission to review specific aspects of the elected presidency submitted their report to prime minister lee hsien loong on 17 august 2016 the government has studied the commission s recommendations and issued its response via a white paper which is attached and can be found here go gov sg v27ibz

[presidential approval a sourcebook edwards george c free](#) - Sep 13 2023

web an icon used to represent a menu that can be toggled by interacting with this icon

presidential approval a sourcebook google books - Oct 14 2023

web presidential approval a sourcebook presidential approval george c edwards alec gallup

presidential approval a sourcebook edwards professor - Oct 02 2022

web presidential approval a sourcebook by edwards professor george isbn 10 0801840856 isbn 13 9780801840852 the johns hopkins university press 1990 hardcover

presidential approval a sourcebook by george c edwards - Apr 27 2022

web presidential approval a sourcebook by george c edwards simple yet powerful measure of the public s view of the u s president s job performance at a particular point in time the approval ratings reported here are based on periodic multiday gallup polls for presidents harry truman through gee w bush weekly gallup

elections offer respite for biden but show disparity between - Feb 23 2022

web nov 8 2023 jon cherry for the new york times the election gains were well timed for mr biden coming after polling by the new york times and siena college that found him losing to former president donald j

presidentialapprovalsourcebook - May 09 2023

web presidential approval aug 04 2023 this provides incredibly convenient access to most of the results of the most asked of all survey research questions wilson library bulletin terrorism and the media jan 29 2023 exploring the recent increase in anti american terrorism this updated study argues that terrorist

presidential approval a sourcebook by edwards george c - May 29 2022

web nov 12 1999 title presidential approval a sourcebook publisher john hopkins university press 1990 binding hardcover dust jacket condition

presidential approval sourcebook first edition abebooks - Jul 31 2022

web presidential approval a sourcebook by edwards professor george and a great selection of related books art and collectibles available now at abebooks com

presidential approval a sourcebook worldcat org - Feb 06 2023

web worldcat is the world s largest library catalog helping you find library materials online

presidential approval a sourcebook macquarie university - Jul 11 2023

web presidential approval a sourcebook goot murray in australian journal of political science vol 26 no 1 03 1991 p 149 149 research output contribution to journal book film article exhibition review

presidential elections in singapore wikipedia - Sep 01 2022

web the istana the official residence of the president of singapore photographed in january 2006 presidential elections in singapore in which the president of singapore is directly elected by a popular vote were introduced after a constitutional amendment made in 1991 potential candidates for office must meet stringent qualifications set out in the constitution

presidential approval a sourcebook semantic scholar - Apr 08 2023

web the presidential approval a sourcebook is universally compatible with any devices to read and is available in the digital library an online access to it is set as public so you can get it instantly thank you for downloading presidential approval a sourcebook

presidential approval a sourcebook in searchworks catalog - Mar 07 2023

web select search scope currently catalog all catalog articles website more in one search catalog books media more in the stanford libraries collections articles journal articles other e resources

presidential approval 1990 edition open library - Jan 05 2023

web presidential approval by george c edwards iii 1990 johns hopkins university press edition in english an edition of presidential approval a sourcebook 1990 presidential approval a sourcebook by george c edwards iii 0 ratings 0 want to read 0 currently reading

presidential approval a sourcebook semantic scholar - Aug 12 2023

web this study empirically investigates the hypothesis that the lower the public s job approval rating of the u s president the higher the degree of aggregate federal personal income tax evasion in the

presidential approval sourcebook by edwards professor - Jun 29 2022

web presidential approval a sourcebook by edwards professor george and a great selection of related books art and collectibles available now at abebooks com

presidential approval a sourcebook by edwards professor - Mar 27 2022

web abebooks com presidential approval a sourcebook first edition copy good dust jacket writing inside

presidential approval a sourcebook amazon com - Jun 10 2023

web jun 1 1990 presidential approval a sourcebook edwards professor george on amazon com free shipping on qualifying offers presidential approval a sourcebook

presidential approval sourcebook abebooks - Nov 03 2022

web presidential approval a sourcebook by professor george edwards and a great selection of related books art and collectibles available now at abebooks com