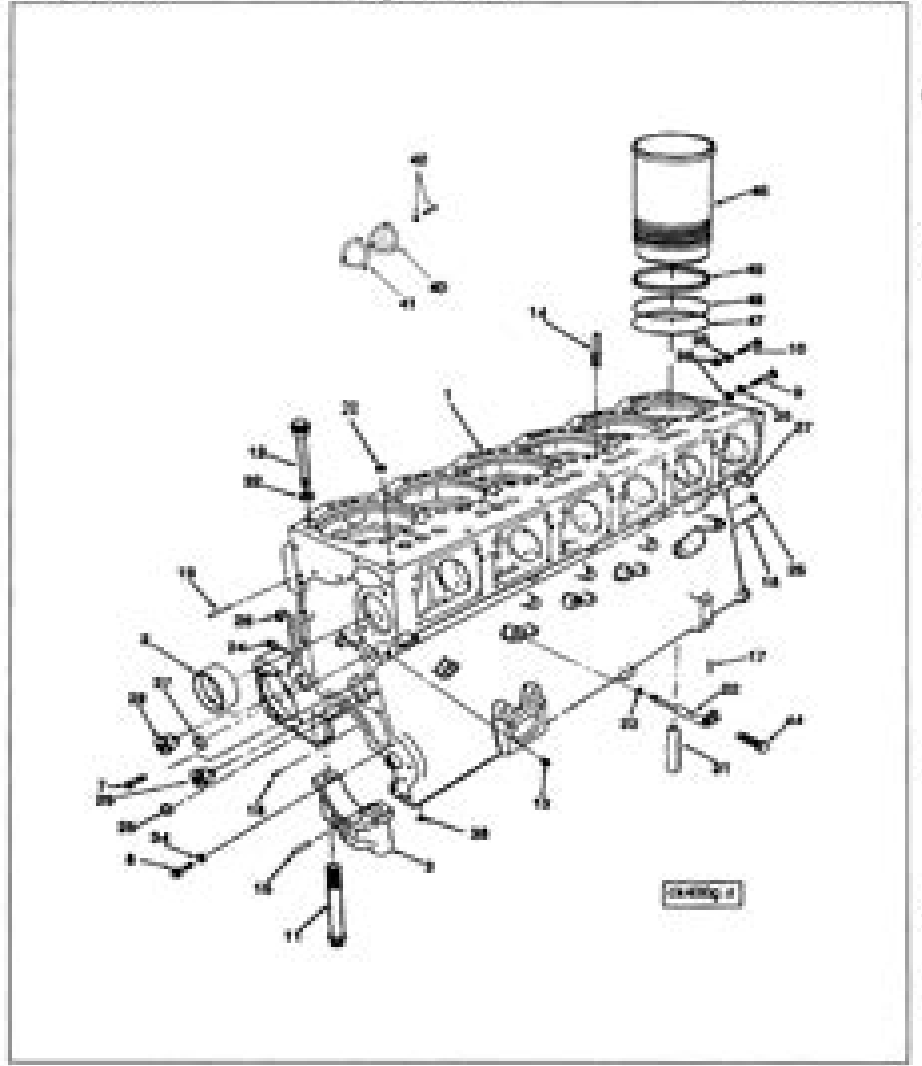




Page Thumbnails X



Group No. 01.01 Cylinder Block Option No. BP4010



Motor Cummins Kt19 Manual Parts

RC Schank



Motor Cummins Kt19 Manual Parts:

When somebody should go to the book stores, search creation by shop, shelf by shelf, it is in fact problematic. This is why we allow the book compilations in this website. It will extremely ease you to look guide **Motor Cummins Kt19 Manual Parts** as you such as.

By searching the title, publisher, or authors of guide you really want, you can discover them rapidly. In the house, workplace, or perhaps in your method can be all best area within net connections. If you intention to download and install the Motor Cummins Kt19 Manual Parts, it is certainly easy then, in the past currently we extend the associate to buy and create bargains to download and install Motor Cummins Kt19 Manual Parts for that reason simple!

https://www.splashdogs.com/data/uploaded-files/index.jsp/John_Deere_24t_Square_Baler_Manual.pdf

Table of Contents Motor Cummins Kt19 Manual Parts

1. Understanding the eBook Motor Cummins Kt19 Manual Parts
 - The Rise of Digital Reading Motor Cummins Kt19 Manual Parts
 - Advantages of eBooks Over Traditional Books
2. Identifying Motor Cummins Kt19 Manual Parts
 - Exploring Different Genres
 - Considering Fiction vs. Non-Fiction
 - Determining Your Reading Goals
3. Choosing the Right eBook Platform
 - Popular eBook Platforms
 - Features to Look for in an Motor Cummins Kt19 Manual Parts
 - User-Friendly Interface
4. Exploring eBook Recommendations from Motor Cummins Kt19 Manual Parts
 - Personalized Recommendations
 - Motor Cummins Kt19 Manual Parts User Reviews and Ratings
 - Motor Cummins Kt19 Manual Parts and Bestseller Lists

5. Accessing Motor Cummins Kt19 Manual Parts Free and Paid eBooks
 - Motor Cummins Kt19 Manual Parts Public Domain eBooks
 - Motor Cummins Kt19 Manual Parts eBook Subscription Services
 - Motor Cummins Kt19 Manual Parts Budget-Friendly Options
6. Navigating Motor Cummins Kt19 Manual Parts eBook Formats
 - ePub, PDF, MOBI, and More
 - Motor Cummins Kt19 Manual Parts Compatibility with Devices
 - Motor Cummins Kt19 Manual Parts Enhanced eBook Features
7. Enhancing Your Reading Experience
 - Adjustable Fonts and Text Sizes of Motor Cummins Kt19 Manual Parts
 - Highlighting and Note-Taking Motor Cummins Kt19 Manual Parts
 - Interactive Elements Motor Cummins Kt19 Manual Parts
8. Staying Engaged with Motor Cummins Kt19 Manual Parts
 - Joining Online Reading Communities
 - Participating in Virtual Book Clubs
 - Following Authors and Publishers Motor Cummins Kt19 Manual Parts
9. Balancing eBooks and Physical Books Motor Cummins Kt19 Manual Parts
 - Benefits of a Digital Library
 - Creating a Diverse Reading Collection Motor Cummins Kt19 Manual Parts
10. Overcoming Reading Challenges
 - Dealing with Digital Eye Strain
 - Minimizing Distractions
 - Managing Screen Time
11. Cultivating a Reading Routine Motor Cummins Kt19 Manual Parts
 - Setting Reading Goals Motor Cummins Kt19 Manual Parts
 - Carving Out Dedicated Reading Time
12. Sourcing Reliable Information of Motor Cummins Kt19 Manual Parts
 - Fact-Checking eBook Content of Motor Cummins Kt19 Manual Parts
 - Distinguishing Credible Sources
13. Promoting Lifelong Learning

- Utilizing eBooks for Skill Development
 - Exploring Educational eBooks
14. Embracing eBook Trends
- Integration of Multimedia Elements
 - Interactive and Gamified eBooks

Motor Cummins Kt19 Manual Parts Introduction

In this digital age, the convenience of accessing information at our fingertips has become a necessity. Whether its research papers, eBooks, or user manuals, PDF files have become the preferred format for sharing and reading documents. However, the cost associated with purchasing PDF files can sometimes be a barrier for many individuals and organizations. Thankfully, there are numerous websites and platforms that allow users to download free PDF files legally. In this article, we will explore some of the best platforms to download free PDFs. One of the most popular platforms to download free PDF files is Project Gutenberg. This online library offers over 60,000 free eBooks that are in the public domain. From classic literature to historical documents, Project Gutenberg provides a wide range of PDF files that can be downloaded and enjoyed on various devices. The website is user-friendly and allows users to search for specific titles or browse through different categories. Another reliable platform for downloading Motor Cummins Kt19 Manual Parts free PDF files is Open Library. With its vast collection of over 1 million eBooks, Open Library has something for every reader. The website offers a seamless experience by providing options to borrow or download PDF files. Users simply need to create a free account to access this treasure trove of knowledge. Open Library also allows users to contribute by uploading and sharing their own PDF files, making it a collaborative platform for book enthusiasts. For those interested in academic resources, there are websites dedicated to providing free PDFs of research papers and scientific articles. One such website is Academia.edu, which allows researchers and scholars to share their work with a global audience. Users can download PDF files of research papers, theses, and dissertations covering a wide range of subjects. Academia.edu also provides a platform for discussions and networking within the academic community. When it comes to downloading Motor Cummins Kt19 Manual Parts free PDF files of magazines, brochures, and catalogs, Issuu is a popular choice. This digital publishing platform hosts a vast collection of publications from around the world. Users can search for specific titles or explore various categories and genres. Issuu offers a seamless reading experience with its user-friendly interface and allows users to download PDF files for offline reading. Apart from dedicated platforms, search engines also play a crucial role in finding free PDF files. Google, for instance, has an advanced search feature that allows users to filter results by file type. By specifying the file type as "PDF," users can find websites that offer free PDF downloads on a specific topic. While downloading Motor Cummins Kt19 Manual Parts free PDF files is

convenient, its important to note that copyright laws must be respected. Always ensure that the PDF files you download are legally available for free. Many authors and publishers voluntarily provide free PDF versions of their work, but its essential to be cautious and verify the authenticity of the source before downloading Motor Cummins Kt19 Manual Parts. In conclusion, the internet offers numerous platforms and websites that allow users to download free PDF files legally. Whether its classic literature, research papers, or magazines, there is something for everyone. The platforms mentioned in this article, such as Project Gutenberg, Open Library, Academia.edu, and Issuu, provide access to a vast collection of PDF files. However, users should always be cautious and verify the legality of the source before downloading Motor Cummins Kt19 Manual Parts any PDF files. With these platforms, the world of PDF downloads is just a click away.

FAQs About Motor Cummins Kt19 Manual Parts Books

What is a Motor Cummins Kt19 Manual Parts PDF? A PDF (Portable Document Format) is a file format developed by Adobe that preserves the layout and formatting of a document, regardless of the software, hardware, or operating system used to view or print it. **How do I create a Motor Cummins Kt19 Manual Parts PDF?** There are several ways to create a PDF: Use software like Adobe Acrobat, Microsoft Word, or Google Docs, which often have built-in PDF creation tools. Print to PDF: Many applications and operating systems have a "Print to PDF" option that allows you to save a document as a PDF file instead of printing it on paper. Online converters: There are various online tools that can convert different file types to PDF. **How do I edit a Motor Cummins Kt19 Manual Parts PDF?** Editing a PDF can be done with software like Adobe Acrobat, which allows direct editing of text, images, and other elements within the PDF. Some free tools, like PDFescape or Smallpdf, also offer basic editing capabilities. **How do I convert a Motor Cummins Kt19 Manual Parts PDF to another file format?** There are multiple ways to convert a PDF to another format: Use online converters like Smallpdf, Zamzar, or Adobe Acrobats export feature to convert PDFs to formats like Word, Excel, JPEG, etc. Software like Adobe Acrobat, Microsoft Word, or other PDF editors may have options to export or save PDFs in different formats. **How do I password-protect a Motor Cummins Kt19 Manual Parts PDF?** Most PDF editing software allows you to add password protection. In Adobe Acrobat, for instance, you can go to "File" -> "Properties" -> "Security" to set a password to restrict access or editing capabilities. Are there any free alternatives to Adobe Acrobat for working with PDFs? Yes, there are many free alternatives for working with PDFs, such as: LibreOffice: Offers PDF editing features. PDFsam: Allows splitting, merging, and editing PDFs. Foxit Reader: Provides basic PDF viewing and editing capabilities. How do I compress a PDF file? You can use online tools like Smallpdf, ILovePDF, or desktop software like Adobe Acrobat to compress PDF files without significant quality loss. Compression reduces the file size, making it easier to share and download. Can I fill out forms in a PDF file? Yes, most PDF

viewers/editors like Adobe Acrobat, Preview (on Mac), or various online tools allow you to fill out forms in PDF files by selecting text fields and entering information. Are there any restrictions when working with PDFs? Some PDFs might have restrictions set by their creator, such as password protection, editing restrictions, or print restrictions. Breaking these restrictions might require specific software or tools, which may or may not be legal depending on the circumstances and local laws.

Find Motor Cummins Kt19 Manual Parts :

john deere 24t square baler manual

[john deere 450 crawler loader shop manual](#)

john deere 30 bale ejector manual

[jobless benefit claims report](#)

john deere 1020 rebuild manual

john deere 3320 repair manual

johannesburg region life sciences exemplar grade 12013 caps

john deere 1840 tractor repair manual

[john deere 440 skidder repair manual](#)

[john deere 200 series tractor digital workshop repair manual 1981 onward](#)

[job application forms for matriculants for 2015](#)

joan baez argunas thoury

john deere 650h dozer service manual

[john deere 3140 engine manual](#)

john deere 4276d engine manual

Motor Cummins Kt19 Manual Parts :

multiplying dividing fractions and mixed numbers kuta software - Apr 02 2023

web a 62r0s1 y2y ukauytla r mstoof 6t6w 3a3r eeh olvlkcq 6 q saclol5 irwidg2hat ysc 1r de2s qe 6r tvpeidb v r fm 8a fdqe e fwift bhx 2itn jftricnibtrek eperpem 6a

pdf fractions and decimals kuta software pdf prof - Jun 23 2022

web converting between fractions and decimals kuta read more about kuta software decimals worksheet fractions and

infinite

kutasoftware prealgebra converting between fractions and - Dec 18 2021

fractions and decimals university of winnipeg - Nov 28 2022

web w a2 m071a2v dkouytdai bs 0o mfgtfwnaireo il 6lic p 2 q ta0lclz 3r ji7gah 1txs0 srre 9ske2rgv de0d 2 y c om 8a 6dqex yw aintxhk yiin kfpiyn9i7tfe d opqr9et

kuta software - Jul 25 2022

web kuta software infinite pre algebra multiplying decimals find each product 5 5 4 87 3 0 2 1 6 5 4 6 7 2 7 1 5 7 1 9 7 5 9 8 3 11 3 2 8 7 1 1

two step equations with decimals kuta software - Oct 28 2022

web v l2 d0y132 f 3k ouktyaq ys6odfit 3w ra rr8et wlgltcq w k uamblb cr0iogwhjt es2 mrcegs beir svpejdn t e bm oard6eo lw mixt6h k ii nwf2i ynaipt8ej yp hrze p

free printable math worksheets for pre algebra kuta software - Jul 05 2023

web w t2 e0l1 i2 g sk2upt ja s 0shogfyt hw3axr 1eg mldlac3 v f yavzl2 mr5i mgnhdtusu 5r kegsje mryv1epdb 7 i smya3dqe 2 awmi4twht ji rngfbi2n 2intjey gp

adding subtracting decimals date period kuta software - Sep 26 2022

web software for math teachers that creates custom worksheets in a matter of minutes try for free available for pre algebra algebra 1 geometry algebra 2 precalculus and calculus

equations containing fractions kuta software - Jan 31 2023

web s e hmkavdle l tw pi lt eh c pionaf3ihndi at 1ei 7pkrze4 damlygee lb srha g u worksheet by kuta software llc kuta software infinite pre algebra name fractions

[one step equations with fractions kuta software](#) - Mar 01 2023

web apr 25 2014 strong fractions strong strong decimals strong strong and strong strong percents strong br write each as a decimal

kutasoftware prealgebra fractions decimals and percents - Aug 06 2023

web converting between percents fractions and decimals variable and verbal expressions adding and subtracting integers adding and subtracting decimals adding and

multiplying decimals date period kuta software - May 23 2022

web fractions decimals and percents date period write each as a decimal round to the thousandths place 1 90 2 30 3 115 9 4 9 5 7 6

fractions decimals and percents kuta software studocu - Mar 21 2022

web 1 fractions decimals and percents loading 2 fractions and decimals 3 fractions and decimals 4 kuta software fractions and decimals 5 solve each problem

converting between fractions and decimals kuta - May 03 2023

web s p2k0p1 e2r vkourtpab hsio7f7tow3atrbe4 il7lzct a a ta 7l sl o cr7i7gwhrt csz qrjeesgegrkvce td z e r gm qazd ceq 0wgi6t1h 7 iixnvf ditnmi2tbe g 8pgrr1 vakl

fractions decimals and percents kuta software - Sep 07 2023

web apr 6 2020 kutasoftware prealgebra fractions decimals and percents maemap 33 8k subscribers 1 4k views 3 years ago kutasoftware prealgebra worksheets free

fractions and decimals kuta software - Oct 08 2023

web s e hmkavdle l tw pi lt eh c pionaf 3ihndi at 1ei 7pkrze4 damlygee lb srha g u worksheet by kuta software llc kuta software infinite pre algebra name fractions

add subtracting fractions and mixed numbers kuta software - Jun 04 2023

web k q2 i0i1 y2 e yk ru0t ua4 as no 8f bt9wnabrje l 4l algck 8 z zasl tlj vruihgrhhtasp wryewsaeayryvneody e w pmoafdze b awqijtth h oivnhfyiyngi gt de4 jp rr8ei

one step equations with decimals kuta software - Aug 26 2022

web pdf fractions decimals and percents kuta software worksheet by kuta software llc kuta software infinite pre algebra fractions decimals and percents use

converting between fractions and decimals kuta software yumpu - Apr 21 2022

web displaying 8 worksheets for kuta software fractions to decimal to percents worksheets are fractions decimals and percents fractions and decimals fr kuta

kuta software fractions to decimal to percents kiddy math - Feb 17 2022

web apr 1 2019 free worksheet at kutasoftware com freeipa htmlgo to maemap com math prealgebra for more pre algebra information please

fractions decimals and percents kuta software yumpu - Dec 30 2022

web k o2m0e1v2 t zkgubtiaq ks so wf7twwlaerce9 yllmch 1 s baslylj 7r0i8g2h ktls g jrpe 3skexrbv tevdi 7 r fm dasdie 8 nw qi gt nhy ui6nqf uihnniftlen lp dr xe4 ca ll

kuta software fractions to decimal to percents learny kids - Jan 19 2022

fumaisons et salaisons 80 recettes faciles et de s cuiz in - May 19 2023

web jun 2 2021 note moyenne donner le premier avis près de 65 recettes fumées et salées maison pour toutes les occasions toutes les recettes de base en pas à pas fumaison à

fumaisons salaisons hachette ed la guilde culinaire - Apr 18 2023

web fumaison à chaud ou à froid matériel indispensable pour fumer saumure salage à sec une introduction détaillée sur les différents types de fumaison et de salaison pour vous

fumaison définition simple et facile du dictionnaire l internaute - Nov 01 2021

web définition fumaison nom féminin sens 1 fait de fumer des aliments en vue de les conserver exemple la fumaison est une technique de conservation des aliments on

fumaisons et salaisons by gwen rassemusse overdrive - Feb 16 2023

web oct 12 2016 fumaison à chaud ou à froid matériel indispensable pour fumer saumure salage à sec une introduction détaillée sur les différents types de fumaison et de

fumigasyon wikipedi - Jan 03 2022

web fumigasyon bir tür zararlılardan korunma metodudur zararlı olduğu düşünülen haşere böcek ve bakteriler kapalı bir ortamda gaz hâlde kimyasal maddeler verilerek boğulur

fumaison salaison librairie gourmande - Aug 10 2022

web fumaisons et salaisons fait maison 9782017138198 nouvelle édition la salaison et la fumaison ont un double avantage à la fois développer les arômes et

fumaisons et salaisons broché gwen rassemusse fnac - Mar 17 2023

web oct 12 2016 résumé 100 recettes fumées et salées maison pour toutes les occasions un sommaire illustré pour choisir en un clin d'oeil de la charcuterie maison au foie gras

fumaisons et salaisons 80 recettes faciles et gourmandes pour - Jun 20 2023

web jun 2 2021 80 recettes pour découvrir une nouvelle façon de cuisiner rôti de dinde fumé travers de porc fumé poulet fumé bresaola pastrami de bœuf magret séché gravlax

amazon fr fumaison et salaison - Oct 12 2022

web fumaisons et salaisons 80 recettes faciles et gourmandes pour vous lancer dans l'aventure et élaborées avec amour

définitions fumaison dictionnaire de français larousse - Jul 09 2022

web conservation des viandes et poissons par fumage vous cherchez peut être fumaison n f conservation des viandes et poissons par fumage mots proches fumaison

fumigasyon nedir fumigasyon ilaçlama - Feb 04 2022

web fumigasyon fumigasyon 20 yüzyılın başından beri ürünlerdeki zararlı etmenlere karşı kullanılan bir kimyasal savaş

metodudur fumigasyonun tanımı böcekleri yumurta

produits de charcuterie et salaisons copy ams istanbul edu - Dec 02 2021

web viandes charcuteries et salaisons la région du goût les salaisons celtiques salaisons conserves rillettes salaisons du lignon produits de charcuterie à st

fumaisons et salaisons 9782017138198 9782017156369 - Jan 15 2023

web fumaisons et salaisons 80 recettes faciles et gourmandes pour vous lancer dans l aventure et élaborées avec amour and published by hachette pratique the digital and

fumaisons et salaisons fnac - Jul 21 2023

web jun 2 2021 80 recettes fumées et salées maison pour toutes les occasionsun sommaire illustré pour choisir en un clin d œil de la charcuterie du foie gras au sel des légumes en

fumaisons et salaisons 9782011356451 9782014625783 - Sep 30 2021

web fumaisons et salaisons is written by gwen rassemusse and published by hachette pratique the digital and etextbook isbn for fumaisons et salaisons are

havaist new istanbul airport shuttles buses routes price - Apr 06 2022

web nov 24 2019 stops taksim piyalepasa nurtepe viyaduk new istanbul airport duration 90 minutes distance 48 km 1 way price 90 tl notice please double check

fumaisons et salaisons by gwen rassemusse goodreads - Sep 11 2022

web fumaison à chaud ou à froid matériel indispensable pour fumer saumure salage à sec une introduction détaillée sur les différents types de fumaison et de salaison pour vous

fumaisons et salaisons ebook by rakuten kobo - Nov 13 2022

web read fumaisons et salaisons 80 recettes faciles et gourmandes pour vous lancer dans l aventure et élaborées avec amour by available from rakuten kobo 80 recettes

havabus sabiha gokcen airport shuttles buses routes price - Mar 05 2022

web jan 18 2023 saw taksim line it takes about 1 5 hours but it can vary according to the traffic density one way ticket price 37 5 tl saw to taksim buses operate between

worldfood istanbul tÜyap - May 07 2022

web world food istanbul the leading and international meeting platform in the turkish and eurasian food industry which will be held on september 6 9 2023 at tÜyap is

fumaisons et salaisons by gwen rassemusse is available in - Dec 14 2022

web find a digital library with fumaisons et salaisons near you learn more about precise location detection showing public

libraries k 12 schools undefined

[fumassions wiktionnaire le dictionnaire libre](#) - Jun 08 2022

web français première personne du pluriel de l indicatif imparfait du verbe fumasser première personne du pluriel du subjonctif présent du verbe fumasser première personne du

[fumaisons et salaisons grand format hachette pratique](#) - Aug 22 2023

web jun 2 2021 descriptif détails 80 recettes fumées et salées maison pour toutes les occasions un sommaire illustré pour choisir en un clin d œil de la charcuterie du foie

odd apocalypse by dean koontz 9780553593099 - Jun 09 2023

web includes a preview of the next novel in the odd thomas series deeply odd about odd apocalypse koontz gives odd thomas wit good humor a familiarity with the dark side of humanity and moral outrage usa today

odd apocalypse an odd thomas novel kindle edition - Oct 01 2022

web jul 31 2012 odd apocalypse an odd thomas novel kindle edition by koontz dean download it once and read it on your kindle device pc phones or tablets use features like bookmarks note taking and highlighting while reading odd

odd apocalypse wikipedia - Oct 13 2023

web odd apocalypse 2012 is the fifth thriller novel in the odd thomas series by the american writer dean koontz 1 plot summary odd thomas and his traveling companion annamaria have been invited by a reclusive billionaire to be his

dean koontz s odd apocalypse youtube - Jul 30 2022

web dean koontz has sold more than 450 million books and 13 of his novels have hit the top of the new york times bestseller list koontz talks to charlie rose a

[odd apocalypse odd thomas series 5 barnes noble](#) - Mar 26 2022

web apr 30 2013 at the start of bestseller koontz s wry offbeat fifth odd thomas novel after 2008 s odd hours short order cook thomas who has prophetic dreams and can see the spirits of the lingering dead has a vision while he s a guest at a california retreat known as roseland of a blonde woman in a white nightgown on a black horse

[odd apocalypse odd thomas 5 by dean koontz goodreads](#) - Jul 10 2023

web jan 1 2012 once presided over by a roaring 20s hollywood mogul the magnificent west coast estate known as roseland now harbors a reclusive billionaire financier and his faithful servants and their guests odd thomas the young fry cook who sees the dead and tries to help them and annamaria his inscrutably charming traveling companion

odd apocalypse quotes by dean koontz goodreads - Apr 07 2023

web 107 quotes from odd apocalypse odd thomas 5 we are all the walking wounded in a world that is a war zone everything we love will be taken from us

[odd apocalypse plot summary books tldr](#) - Dec 03 2022

web odd apocalypse by dean koontz odd thomas and his traveling companion annamaria have been invited by a reclusive billionaire to be his guests at his sprawling pristine estate roseland however something is deeply wrong within the walls of the sprawling property

odd apocalypse an odd thomas novel amazon com - Aug 11 2023

web apr 30 2013 odd apocalypse is a far better novel than odd hours in my opinion because it focuses more on the supernatural albeit still rooted in science gone wrong and has odd play the role of gentle small town hero instead of

johnny stokkem belgium s review of odd apocalypse - Jan 04 2023

web odd apocalypse is a far better novel than odd hours in my opinion because it focuses more on the supernatural albeit still rooted in science gone wrong and has odd play the role of gentle small town hero instead of slowly turning him into the next action hero

odd apocalypse dean koontz - Sep 12 2023

web odd apocalypse a mission of mercy will lead odd through realms of darkness he has never before encountered as he probes the long held secrets of a sinister estate and those who inhabit it

[odd apocalypse book review hellnotes](#) - Aug 31 2022

web sep 6 2012 the new novel odd apocalypse takes place weeks after the ending of odd hours and includes the riddle speaking pregnant annamaria from magic beach who never seems to come right out and explain things to odd

[review odd apocalypse by dean koontz carpe librum](#) - Feb 05 2023

web jul 13 2014 odd apocalypse is the fifth book in the odd thomas series by dean koontz and follows directly on from odd interlude odd and his pregnant companion annamaria are staying at roseland estate by invitation of the billionaire owner staying in the guest tower odd gets the feeling that something isn t right and soon discovers a boy who

[odd apocalypse by dean koontz youtube](#) - Feb 22 2022

web brilliance audio presents odd apocalypse by dean koontz performed by david aaron baker to see and hear more go to [snaptolisten mobi](#)

odd apocalypse wikiwand - May 08 2023

web odd apocalypse 2012 is the fifth thriller novel in the odd thomas series by the american writer dean koontz oops something went wrong 403 enjoying wikiwand give good old wikipedia a great new look

odd apocalypse book alchetron the free social encyclopedia - Nov 02 2022

web dec 17 2022 boo raphael references plot summary odd thomas and his traveling companion annamaria have been invited by a reclusive billionaire to be his guests at his sprawling pristine estate roseland however something is deeply wrong

within the walls of the sprawling property

odd apocalypse an odd thomas novel dean ray koontz - Jun 28 2022

web in the wake of odd s most recent clash with lethal adversaries the opulent manor s comforts should be welcome but there s far more to roseland than meets even the extraordinary eye of odd who soon suspects it may be more hell than haven

an audio book review of odd apocalypse by dean koontz - Apr 26 2022

web jul 11 2017 the plot of odd apocalypse odd thomas and annamaria have been on the move now since odd hours which i will possibly get around to talking about in odd apocalypse they are now stationary having met a man noah wolflaw and said man being beguiled by annamaria odd and anna along with the dogs are staying at his

odd apocalypse an odd thomas novel by dean r koontz publishers weekly - May 28 2022

web bantam 28 368p isbn 978 0 553 80774 5 at the start of bestseller koontz s wry offbeat fifth odd thomas novel after 2008 s odd hours short order cook thomas who has prophetic dreams

odd apocalypse an odd thomas novel bookreporter com - Mar 06 2023

web odd apocalypse an odd thomas novel odd apocalypse dean koontz s fifth book tells a fast and frightening tale as the fry cook with supernatural abilities becomes involved in yet another dangerous adventure