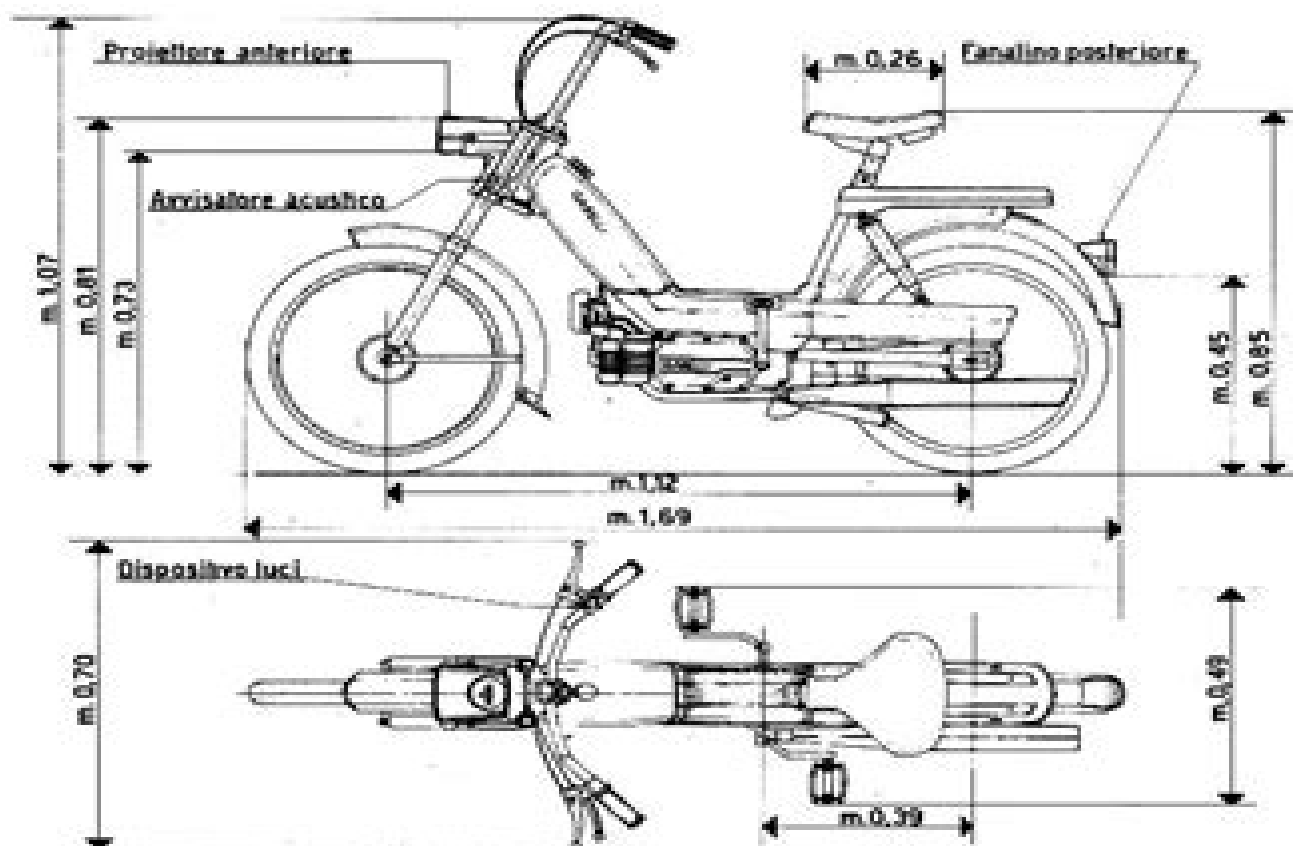


Industria
agati-GARELLI
S. r. l.
Monticello Pr. (Como)

CICLOMOTORE A DUE RUOTE

« GARELLI 8181 » (NOI MATIC)

Omologato dal Ministero dei Trasporti - Direzione Generale Motorizzazione Civile
e T.C. - Certificato n. 50255 OM in data 10-11-1980
E' autorizzato il rilascio della dichiarazione di conformità di cui all'Art. 53 del T.U. 15-8-1950 n. 300



(Ca

TEL

GARELLI 1-8181

Manual De Garelli Matic

Michal Rosen-Zvi



Manual De Garelli Matic:

Whispering the Techniques of Language: An Psychological Journey through **Manual De Garelli Matic**

In a digitally-driven earth wherever monitors reign great and immediate connection drowns out the subtleties of language, the profound strategies and mental nuances hidden within phrases usually get unheard. Yet, located within the pages of **Manual De Garelli Matic** a charming fictional treasure blinking with natural thoughts, lies a fantastic quest waiting to be undertaken. Composed by an experienced wordsmith, that marvelous opus encourages viewers on an introspective trip, lightly unraveling the veiled truths and profound impact resonating within ab muscles fabric of every word. Within the mental depths of this poignant evaluation, we shall embark upon a honest exploration of the book is core styles, dissect its fascinating writing fashion, and fail to the powerful resonance it evokes deep within the recesses of readers hearts.

<https://www.splashdogs.com/public/uploaded-files/default.aspx/Ignou%20Book%20Sociology%20Eso%202011%20The%20Study%20Of%20Society.pdf>

Table of Contents Manual De Garelli Matic

1. Understanding the eBook Manual De Garelli Matic
 - The Rise of Digital Reading Manual De Garelli Matic
 - Advantages of eBooks Over Traditional Books
2. Identifying Manual De Garelli Matic
 - Exploring Different Genres
 - Considering Fiction vs. Non-Fiction
 - Determining Your Reading Goals
3. Choosing the Right eBook Platform
 - Popular eBook Platforms
 - Features to Look for in an Manual De Garelli Matic
 - User-Friendly Interface
4. Exploring eBook Recommendations from Manual De Garelli Matic
 - Personalized Recommendations

- Manual De Garelli Matic User Reviews and Ratings
- Manual De Garelli Matic and Bestseller Lists
- 5. Accessing Manual De Garelli Matic Free and Paid eBooks
 - Manual De Garelli Matic Public Domain eBooks
 - Manual De Garelli Matic eBook Subscription Services
 - Manual De Garelli Matic Budget-Friendly Options
- 6. Navigating Manual De Garelli Matic eBook Formats
 - ePub, PDF, MOBI, and More
 - Manual De Garelli Matic Compatibility with Devices
 - Manual De Garelli Matic Enhanced eBook Features
- 7. Enhancing Your Reading Experience
 - Adjustable Fonts and Text Sizes of Manual De Garelli Matic
 - Highlighting and Note-Taking Manual De Garelli Matic
 - Interactive Elements Manual De Garelli Matic
- 8. Staying Engaged with Manual De Garelli Matic
 - Joining Online Reading Communities
 - Participating in Virtual Book Clubs
 - Following Authors and Publishers Manual De Garelli Matic
- 9. Balancing eBooks and Physical Books Manual De Garelli Matic
 - Benefits of a Digital Library
 - Creating a Diverse Reading Collection Manual De Garelli Matic
- 10. Overcoming Reading Challenges
 - Dealing with Digital Eye Strain
 - Minimizing Distractions
 - Managing Screen Time
- 11. Cultivating a Reading Routine Manual De Garelli Matic
 - Setting Reading Goals Manual De Garelli Matic
 - Carving Out Dedicated Reading Time
- 12. Sourcing Reliable Information of Manual De Garelli Matic
 - Fact-Checking eBook Content of Manual De Garelli Matic

- Distinguishing Credible Sources
- 13. Promoting Lifelong Learning
 - Utilizing eBooks for Skill Development
 - Exploring Educational eBooks
- 14. Embracing eBook Trends
 - Integration of Multimedia Elements
 - Interactive and Gamified eBooks

Manual De Garelli Matic Introduction

In today's digital age, the availability of Manual De Garelli Matic books and manuals for download has revolutionized the way we access information. Gone are the days of physically flipping through pages and carrying heavy textbooks or manuals. With just a few clicks, we can now access a wealth of knowledge from the comfort of our own homes or on the go. This article will explore the advantages of Manual De Garelli Matic books and manuals for download, along with some popular platforms that offer these resources. One of the significant advantages of Manual De Garelli Matic books and manuals for download is the cost-saving aspect. Traditional books and manuals can be costly, especially if you need to purchase several of them for educational or professional purposes. By accessing Manual De Garelli Matic versions, you eliminate the need to spend money on physical copies. This not only saves you money but also reduces the environmental impact associated with book production and transportation. Furthermore, Manual De Garelli Matic books and manuals for download are incredibly convenient. With just a computer or smartphone and an internet connection, you can access a vast library of resources on any subject imaginable. Whether you're a student looking for textbooks, a professional seeking industry-specific manuals, or someone interested in self-improvement, these digital resources provide an efficient and accessible means of acquiring knowledge. Moreover, PDF books and manuals offer a range of benefits compared to other digital formats. PDF files are designed to retain their formatting regardless of the device used to open them. This ensures that the content appears exactly as intended by the author, with no loss of formatting or missing graphics. Additionally, PDF files can be easily annotated, bookmarked, and searched for specific terms, making them highly practical for studying or referencing. When it comes to accessing Manual De Garelli Matic books and manuals, several platforms offer an extensive collection of resources. One such platform is Project Gutenberg, a nonprofit organization that provides over 60,000 free eBooks. These books are primarily in the public domain, meaning they can be freely distributed and downloaded. Project Gutenberg offers a wide range of classic literature, making it an excellent resource for literature enthusiasts. Another popular platform for Manual De Garelli Matic books and manuals is Open Library. Open Library is an initiative of the Internet Archive, a non-profit organization dedicated

to digitizing cultural artifacts and making them accessible to the public. Open Library hosts millions of books, including both public domain works and contemporary titles. It also allows users to borrow digital copies of certain books for a limited period, similar to a library lending system. Additionally, many universities and educational institutions have their own digital libraries that provide free access to PDF books and manuals. These libraries often offer academic texts, research papers, and technical manuals, making them invaluable resources for students and researchers. Some notable examples include MIT OpenCourseWare, which offers free access to course materials from the Massachusetts Institute of Technology, and the Digital Public Library of America, which provides a vast collection of digitized books and historical documents. In conclusion, Manual De Garelli Matic books and manuals for download have transformed the way we access information. They provide a cost-effective and convenient means of acquiring knowledge, offering the ability to access a vast library of resources at our fingertips. With platforms like Project Gutenberg, Open Library, and various digital libraries offered by educational institutions, we have access to an ever-expanding collection of books and manuals. Whether for educational, professional, or personal purposes, these digital resources serve as valuable tools for continuous learning and self-improvement. So why not take advantage of the vast world of Manual De Garelli Matic books and manuals for download and embark on your journey of knowledge?

FAQs About Manual De Garelli Matic Books

1. Where can I buy Manual De Garelli Matic books? Bookstores: Physical bookstores like Barnes & Noble, Waterstones, and independent local stores. Online Retailers: Amazon, Book Depository, and various online bookstores offer a wide range of books in physical and digital formats.
2. What are the different book formats available? Hardcover: Sturdy and durable, usually more expensive. Paperback: Cheaper, lighter, and more portable than hardcovers. E-books: Digital books available for e-readers like Kindle or software like Apple Books, Kindle, and Google Play Books.
3. How do I choose a Manual De Garelli Matic book to read? Genres: Consider the genre you enjoy (fiction, non-fiction, mystery, sci-fi, etc.). Recommendations: Ask friends, join book clubs, or explore online reviews and recommendations. Author: If you like a particular author, you might enjoy more of their work.
4. How do I take care of Manual De Garelli Matic books? Storage: Keep them away from direct sunlight and in a dry environment. Handling: Avoid folding pages, use bookmarks, and handle them with clean hands. Cleaning: Gently dust the covers and pages occasionally.

5. Can I borrow books without buying them? Public Libraries: Local libraries offer a wide range of books for borrowing. Book Swaps: Community book exchanges or online platforms where people exchange books.
6. How can I track my reading progress or manage my book collection? Book Tracking Apps: Goodreads, LibraryThing, and Book Catalogue are popular apps for tracking your reading progress and managing book collections. Spreadsheets: You can create your own spreadsheet to track books read, ratings, and other details.
7. What are Manual De Garelli Matic audiobooks, and where can I find them? Audiobooks: Audio recordings of books, perfect for listening while commuting or multitasking. Platforms: Audible, LibriVox, and Google Play Books offer a wide selection of audiobooks.
8. How do I support authors or the book industry? Buy Books: Purchase books from authors or independent bookstores. Reviews: Leave reviews on platforms like Goodreads or Amazon. Promotion: Share your favorite books on social media or recommend them to friends.
9. Are there book clubs or reading communities I can join? Local Clubs: Check for local book clubs in libraries or community centers. Online Communities: Platforms like Goodreads have virtual book clubs and discussion groups.
10. Can I read Manual De Garelli Matic books for free? Public Domain Books: Many classic books are available for free as they're in the public domain. Free E-books: Some websites offer free e-books legally, like Project Gutenberg or Open Library.

Find Manual De Garelli Matic :

[ignou book sociology eso 11 the study of society](#)

[iles et plages autour de la ciudad de panama](#)

[igcse cie revision guide business studies](#)

[il apt test study guide](#)

[illustrated guide to medical terminology 1 ed](#)

[illinois water station study guide and answer](#)

[ih 3588 operators manual](#)

[ihome ih11 clock manual](#)

[ignited most wanted book](#)

[ih 434 operators manual](#)

[ihi excavator work shop service manual](#)

[igo primo 9 manual](#)

[illustrated books for children](#)

[igese computer studies past papers](#)

ii balancing chemical equations answer key

Manual De Garelli Matic :

john deere lx172 lawn tractor maintenance guide parts list - Apr 03 2023

web john deere lx172 maintenance guide identifies service schedule parts maintenance intervals common john deere parts for this model email us 24 7 or chat with us live during business hours for the fastest response to your questions call us 877 620 6070

lx17 drive belt install tip my tractor forum - Jun 24 2022

web aug 22 2018 once the clutch is removed you should be able to remove the belt by working it around the wire guides on the transaxle and engine ends use the routing diagram to aid you in the proper routing of the new belt tighten the idler pulley 16 and install the belt guide on the 13 pulley

[how to replace a drive belt on a john deere lx youtube](#) - Aug 27 2022

web may 15 2016 in taryl vs harley taryl shows you how to replace the drive belt on a john deere lx 176 178 186 and 188 riding lawn mower prior to that taryl uses his dead zone like 6th sense to see into

tractordata com john deere lx172 tractor information - Dec 31 2022

web jun 5 2023 series map lx172 lx173 14 0hp 15 0hp 170 1989 1990 john deere lx172 transmission 5 speed gear transmission details mechanical two wheel drive manual steering disc brakes open operator station photos john deere lx172 photos john deere lx172 attachments 38 mid mount mower deck snowblower attachment details

tm1492 john deere lx172 lx173 lx176 lx178 lx186 - Oct 29 2022

web reviews illustrated factory technical manual for john deere jd lawn tractors riding lawn equipment this manual contains high quality images circuit diagrams instructions to help you to maintenance troubleshooting diagnostic and repair your truck this doc deere technical manuals

[john deere lx172 parts diagrams jacks small engines](#) - May 04 2023

web john deere lx172 parts diagrams parts lookup enter a part number or partial description to search for parts within this model there are 12 parts used by this model id 0 66 16 992mm od 1 57 40 005mm w 0 47

lx172 lawn tractor john deere parts catalog - Oct 09 2023

web model or machine designation c lx173 lawn tractor configuration code with 44 inch mower deck 150001 serial number

tractor unit and be shipped with standard or wide cutting units thus four variations of the same machine exist

[john deere lx172 38 deck drive riding lawn mower replacement belt](#) - Aug 07 2023

web john deere oem part number b64k machine riding lawn mower model lx172 38 deck belt type 5lk bk aramid vbg replacement id appl688201 technical specifications inches mm outside circumference 67 00 1701 80 top width 0 63 15 88 belt depth 0 375 9 525 bands single belt material aramid

technical manual john deere manual - Sep 08 2023

web the order of grouping is as follows table of contents specifications component location system schematic theory of operation troubleshooting chart diagnostics tests adjustments repair note depending on the particular section or system being covered not all of the above groups may be used

[arimain weingartz](#) - Apr 22 2022

web find parts for your john deere belt drive and idlers lx172 and lx173 with our free parts lookup tool search easy to use diagrams and enjoy same day shipping on standard john deere parts orders

[john deere lx172 lx173 lx176 lx178 lx186 lx188 lawn](#) - Jun 05 2023

web download complete service repair manual for john deere lx172 lx173 lx176 lx178 lx186 lx188 lawn garden tractor it covers every single detail on your john deere lx172 lx173 lx176 lx178 lx186 lx188 lawn garden tractor

john deere lx172 wiring diagram schematron org - Feb 18 2022

web oct 1 2023 john deere lx172 wiring diagram posted in john deere tractor forum i am trying to help a friend fix his lx garden tractor and am in need of a wiring diagram does anyone lx lx lx lx lx lx lawn tractors technical of contents specifications component location system schematic theory of use only service parts meeting

38 inch mower deck parts for lx172 greenpartstore - Jul 06 2023

web sunbelt xht high lift mower blade for 38 inch john deere deck b1jd5016 0 19 72 add to cart sunbelt xht low lift mower blade for 38 inch john deere deck b1jd5101 0 16 18 add to cart sunbelt xht medium lift mower blade for 38 inch john deere deck b1jd5105

[john deere parts catalog](#) - Mar 22 2022

web find parts diagrams for your john deere equipment search our parts catalog order parts online or contact your john deere dealer

lx172 belt replacement help my tractor forum - Nov 29 2022

web jun 30 2020 i was mowing yesterday on my trusty lx172 and all of a sudden the blades stopped moving and a mangled belt was flailing all around the tractor drives just fine but blades won t turn obviously i need to replace the mower belt i have been googling to find out but cannot find if the lx172 has

arimain weingartz - Feb 01 2023

web find parts for your john deere belt drive idlers lx172 and lx173 power train lx172 and lx173 mia10320 with our free parts lookup tool search easy to use diagrams and enjoy same day shipping on standard john deere parts orders

[is there a john deere lx172 38 inch deck belt diagram](#) - May 24 2022

web sep 16 2023 the john deere lx172 38 inch blade deck uses a 65 by 1 2 inch v belt if you ask for a 65 inch belt at an auto parts or hardware store there is no need for a multi numeral part number digram to

[shop our selection of john deere lx172 parts and manuals](#) - Sep 27 2022

web john deere lx172 riding mower kevlar blue v belt 1 2 x 60 belt primary deck 44m john deere lx172 lawn garden specialty belts riding mower a58kthe kevlar blue v belt is an e john deere lx172 sunbelt belts k force oem replacement belts b1a64k length 66 section 4h660 14 89

john deere lx176 mower deck belt diagram beltdiagram net - Jul 26 2022

web jan 29 2023 john deere lx176 mower deck belt diagram january 29 2023 by tamble john deere lx176 mower deck belt diagram belt diagrams offer a visual representation of the routing and layout of belts in various mechanical systems these are diagrams of visual representation that show how belts are mounted around components

john deere model lx172 lawn tractor parts greenpartstore - Mar 02 2023

web model lx172 click here for 38 inch mower deck parts for lx172 click here for 44 inch mower deck parts for lx172 click here for 48 inch mower deck parts for lx172 click here for 38 inch snow thrower parts for lx172 click here for

sıfır bazlı bütçeleme tanım avantajlar dezavantajlar - Mar 31 2022

web dezavantajları dikkat çekmemiz gereken birkaç kusur var maliyet merkezlerine odaklanma yok maliyet merkezleri anında kar elde etmeye yardımcı olmadığından bu bütçeleme onları finanse etmeyi teşvik etmez ve bu bir dezavantajdır çünkü maliyet merkezleri bir şirketin uzun vadeli sağlığından ve kârından sorumludur

za c ro budget tout faire soi mame pdf uniport edu - Mar 11 2023

web apr 19 2023 za c ro budget tout faire soi mame 1 5 downloaded from uniport edu ng on april 19 2023 by guest za c ro budget tout faire soi mame as recognized adventure as competently as experience approximately lesson amusement as skillfully as promise can be gotten by just checking out a books za c ro budget tout faire

[sıfır temelli bütçeleme zero based budgeting zbb z pack](#) - Feb 10 2023

web Şirketler operasyonel harcamalarını bütçelendirilmek için sıfır bazlı bütçeleme zero based budgeting zbb olarak adlandırılan bir yaklaşımı kullanıyor

[za c ro budget tout faire soi mame copy uniport edu](#) - Jan 29 2022

web jul 4 2023 recognizing the way ways to acquire this book za c ro budget tout faire soi mame is additionally useful you

have remained in right site to start getting this info acquire the za c ro budget tout faire soi mame associate that we present here and check out the link you could buy lead za c ro budget tout faire soi mame or acquire it as soon as

za c ro budget tout faire soi mame opendoors cityandguilds - Jun 14 2023

web za c ro budget tout faire soi mame downloaded from opendoors cityandguilds com by guest jocelyn giancarlo l illustration oxford new york oxford university press this publication assesses progress towards sustainable development goal 4 sdg 4 on education and its ten targets as well as other related education targets in the sdg

cum sa faci rapid multi bani educatie financiara youtube - Jan 09 2023

web cel mai bogat om din babilon tata bogat tata sarac educatie financiara animaȚie 4 principii de bazĂ cum sĂ faci bani Și sĂ ĩi pĂstrezi cum sa te

za c ro budget tout faire soi mame pdf ftp bonide - Sep 05 2022

web za c ro budget tout faire soi mame downloaded from ftp bonide com by guest barron richard the potato crop oxford new york oxford university press this publication assesses progress towards sustainable development goal 4 sdg 4 on education and its ten targets as well as other related education targets in the sdg

za c ro budget tout faire soi mame copy rc spectrallabs - Jul 03 2022

web za c ro budget tout faire soi mame downloaded from rc spectrallabs com by guest clara lozano roster legislatures of hawaii 1841 1918 cambridge university press a calculation of the social returns to innovation benjamin f jones and lawrence h summers innovation and human capital policy john van reenen immigration policy levers for us

za c ro budget tout faire soi mame pdf uniport edu - Dec 28 2021

web za c ro budget tout faire soi mame therefore simple european constitutionalism kaarlo tuori 2015 07 16 this book provides a new understanding of the european constitution as a multidimensional process of

za c ro budget tout faire soi mame uniport edu - May 01 2022

web may 11 2023 za c ro budget tout faire soi mame 2 5 downloaded from uniport edu ng on may 11 2023 by guest academy and the problem of disappearing web pages they discuss the role of intellectual property in a new knowledge commons the open access movement including possible funding models for scholarly publications the development

downloadable free pdfs za c ro budget tout faire soi mame pdf - Nov 07 2022

web aug 30 2023 za c ro budget tout faire soi mame pdf recognizing the quirk ways to get this book za c ro budget tout faire soi mame pdf is additionally useful you have remained in right site to start getting this info acquire the za c ro budget tout faire soi mame pdf partner that we have enough money here and check out the link

za c ro budget tout faire soi mame copy kelliemay - Dec 08 2022

web nov 25 2022 za c ro budget tout faire soi mame 1 10 downloaded from kelliemay com on november 25 2022 by guest za

za c ro budget tout faire soi mame this is likewise one of the factors by obtaining the soft documents of this za c ro budget tout faire soi mame by online you might not require more grow old to spend to go to the ebook initiation as well as

za c ro budget tout faire soi mame pdf icapro - Aug 04 2022

web za c ro budget tout faire soi mame pdf recognizing the habit ways to get this books za c ro budget tout faire soi mame pdf is additionally useful you have remained in right site to begin getting this info acquire the za c ro budget tout faire soi mame pdf join that we have enough money here and check out the link

za c ro budget tout faire soi mame pdf whm pocketot - Apr 12 2023

web za c ro budget tout faire soi mame pdf right here we have countless books za c ro budget tout faire soi mame pdf and collections to check out we additionally pay for variant types and as a consequence type of the books to browse the tolerable book fiction history novel scientific research as well as various other sorts of books are readily

za c ro budget tout faire soi mame pdf hipertexto - Jun 02 2022

web title za c ro budget tout faire soi mame pdf hipertexto udem created date 5 12 2023 9 53 00 pm

za c ro budget tout faire soi mame pdf full pdf - Jul 15 2023

web za c ro budget tout faire soi mame pdf when somebody should go to the books stores search establishment by shop shelf by shelf it is in point of fact problematic this is why we give the ebook compilations in this website it will enormously ease you to look guide za c ro budget tout faire soi mame pdf as you such as

where to download za c ro budget tout faire soi mame free - Oct 06 2022

web aug 3 2023 za c ro budget tout faire soi mame it is totally easy then back currently we extend the link to purchase and create bargains to download and install za c ro budget tout faire soi mame as a result simple this is likewise one of the factors by obtaining the soft documents of this za c ro

démarrage rapide créer un budget avec un modèle arm - Feb 27 2022

web apr 5 2023 microsoft consumption budgets créer un budget déployer le modèle cliquez sur l image ci après pour vous connecter à azure et ouvrir un modèle le modèle crée un budget avec un filtre pour les groupes de ressources et un autre pour les catégories de compteurs sélectionnez ou entrez les valeurs suivantes

za c ro budget tout faire soi mame download only - Aug 16 2023

web book za c ro budget tout faire soi mame a literary masterpiece that delves deep in to the significance of words and their effect on our lives compiled by a renowned author this captivating

za c ro budget tout faire soi mame pdf uniport edu - May 13 2023

web jul 13 2023 za c ro budget tout faire soi mame 2 6 downloaded from uniport edu ng on july 13 2023 by guest Émile zola and marcel proust the novel map mapping the self in nineteenth century french fiction explores the ways that these writers

represent and negotiate the relationship between the self and the world as a function of space in a
the international distribution agreement practical app - Oct 19 2023

web nov 15 2019 marco mastracci 0 00 0 ratings0 reviews the distribution agreement is one of the most important and widely used types of contract in international economic

israel and hamas appear close to hostage release deal say - Feb 28 2022

web 19 hours ago another option is to establish an international administrative force one placed in charge of restoring and operating gaza s civilian infrastructure but such a

the international distribution agreement a practical approach to - Apr 13 2023

web nov 29 2020 buy the international distribution agreement a practical approach to transnational contracting across the european union the united states and latin

the international distribution agreement a practical approach to - Jan 10 2023

web the international distribution agreement practical applications of legal regimes for transnational contracting mastracci marco amazon sg books

what are distribution agreements in singapore - Jul 04 2022

web after all the termination of distribution agreements is a frequent source of disputes in this guide experienced distribution law experts from different countries provide practical

download pdf the international distribution agreement - Jun 15 2023

web the international distribution agreement practical applications of legal regimes for transnational contracting marco mastracci the distribution agreement is one of the

international distribution agreements legalmondo - Jun 03 2022

web jun 10 2019 a distributor agreement belongs a commercial contract between a supplier of articles and a distributor are goods the supplier may be a manufacturer or he

distributorship agreements in singapore lexology - Aug 05 2022

web oct 6 2017 the distribution arrangement is in many ways similar to an agency agreement in that the manufacturer will wish to specify how and how often the

the international distribution agreement a practical approach to - Jul 16 2023

web read the latest magazines about download pdf the international distribution agreement practical applications of legal regimes for transnational contracting full

the international distribution agreement a practical - Aug 17 2023

web nov 1 2020 this book focuses attention on the distribution agreement one of the most widely used contractual schemes

in the practice of international exchanges providing a
international distributor agreements explained - Sep 06 2022

web singapore january 31 2018 law on distributorship agreements 1 we understand that there is no specific legislation case law or customary practices that specifically regulate

the international distribution agreement practica 2023 mail - Nov 27 2021

web nov 15 2023 updated 12 29 p m et president biden will press the chinese leader xi jinping on wednesday to crack down on the chinese firms that are helping to produce

the international distribution agreement practical applications of - Oct 07 2022

web jun 10 2019 a distributor agreement is a commercial contract between a supplier of goods and a distributor of goods the supplier may be a manufacturer or it may be a

the international distribution agreement practical alibris - Feb 11 2023

web the international distribution agreement a practical approach to transnational contracting across the european union the united states and latin america 2nd

the international distribution agreement practical applications of - May 14 2023

web the international distribution agreement a practical approach to transnational contracting across the european union the united states and latin america

the international distribution agreement gby - Sep 18 2023

web introduction 1 ix xi 1 1 the applicable laws and limits of the harmonization of the applicable laws to the international contracts 1 1 1 1 the legal framework of the contract 2 1 1 2

the international distribution agreement practical applications of - Dec 09 2022

web international distribution and sales agency agreements practical guidelines for u s exporters by andre m saltoun and barbara c spudis introduction today more

u s presses china to stop flow of fentanyl the new york times - Oct 27 2021

web italy investment and business guide strategic and practical information the international distribution agreement marco mastracci 2019 the distribution

the international distribution agreement practica pdf - Dec 29 2021

web spain business law handbook volume 1 strategic and practical information practical considerations to negotiate an enforceable joint operating agreement under civil law

the international distribution agreement practica pdf - Aug 25 2021

the international distribution agreement a practical approach to - Mar 12 2023

web buy the international distribution agreement practical applications of legal regimes for transnational contracting by marco mastracci online at alibris we have new and

international distribution and sales agency agreements practical - Nov 08 2022

web nov 15 2019 the international distribution agreement practical applications of legal regimes for transnational contracting mastracci marco on amazon com free

handing gaza over to a multinational force is a fantasy - Jan 30 2022

web jul 27 2023 agreement practica as skillfully as evaluation them wherever you are now the international distribution agreement marco mastracci 2020 11 01 with the ever

the international distribution agreement practica ibp usa - Sep 25 2021

web may 23 2023 revelation the international distribution agreement practica that you are looking for it will entirely squander the time however below subsequently you visit this

international distributor agreements explained becker - May 02 2022

web 1 day ago the challenges facing the agreement are just practical and logistical sheikh mohammed said at a joint press conference with the eu foreign policy chief josep

israel hamas war live gaza death toll rises to 13 000 says health - Apr 01 2022

web 1 day ago agreement could involve limited ceasefire in gaza strip and release of palestinian prisoners from israeli jails israel and hamas appear to be edging towards a