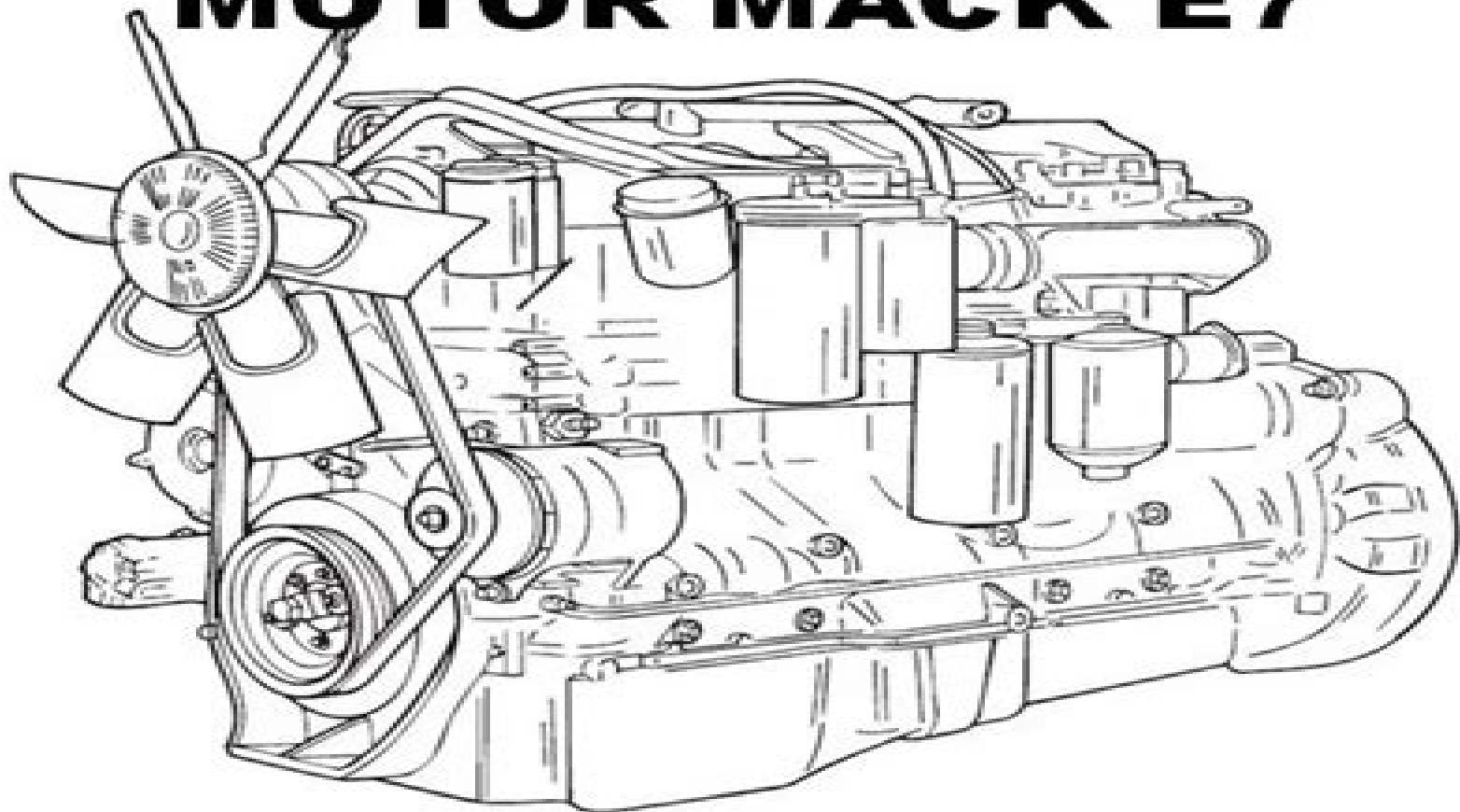


MANUAL TALLER MOTOR MACK E7



LUCHOSTORE[®]

Calidad y Servicio Garantizado

Motor Mack E7 Manual

RJ Alexander



Motor Mack E7 Manual:

The Enigmatic Realm of **Motor Mack E7 Manual**: Unleashing the Language is Inner Magic

In a fast-paced digital era where connections and knowledge intertwine, the enigmatic realm of language reveals its inherent magic. Its capacity to stir emotions, ignite contemplation, and catalyze profound transformations is nothing short of extraordinary. Within the captivating pages of **Motor Mack E7 Manual** a literary masterpiece penned with a renowned author, readers set about a transformative journey, unlocking the secrets and untapped potential embedded within each word. In this evaluation, we shall explore the book's core themes, assess its distinct writing style, and delve into its lasting affect the hearts and minds of those who partake in its reading experience.

<https://www.splashdogs.com/public/scholarship/default.aspx/holt%20geometry%20inscribed%20angle.pdf>

Table of Contents Motor Mack E7 Manual

1. Understanding the eBook Motor Mack E7 Manual
 - The Rise of Digital Reading Motor Mack E7 Manual
 - Advantages of eBooks Over Traditional Books
2. Identifying Motor Mack E7 Manual
 - Exploring Different Genres
 - Considering Fiction vs. Non-Fiction
 - Determining Your Reading Goals
3. Choosing the Right eBook Platform
 - Popular eBook Platforms
 - Features to Look for in an Motor Mack E7 Manual
 - User-Friendly Interface
4. Exploring eBook Recommendations from Motor Mack E7 Manual
 - Personalized Recommendations
 - Motor Mack E7 Manual User Reviews and Ratings
 - Motor Mack E7 Manual and Bestseller Lists

5. Accessing Motor Mack E7 Manual Free and Paid eBooks
 - Motor Mack E7 Manual Public Domain eBooks
 - Motor Mack E7 Manual eBook Subscription Services
 - Motor Mack E7 Manual Budget-Friendly Options
6. Navigating Motor Mack E7 Manual eBook Formats
 - ePub, PDF, MOBI, and More
 - Motor Mack E7 Manual Compatibility with Devices
 - Motor Mack E7 Manual Enhanced eBook Features
7. Enhancing Your Reading Experience
 - Adjustable Fonts and Text Sizes of Motor Mack E7 Manual
 - Highlighting and Note-Taking Motor Mack E7 Manual
 - Interactive Elements Motor Mack E7 Manual
8. Staying Engaged with Motor Mack E7 Manual
 - Joining Online Reading Communities
 - Participating in Virtual Book Clubs
 - Following Authors and Publishers Motor Mack E7 Manual
9. Balancing eBooks and Physical Books Motor Mack E7 Manual
 - Benefits of a Digital Library
 - Creating a Diverse Reading Collection Motor Mack E7 Manual
10. Overcoming Reading Challenges
 - Dealing with Digital Eye Strain
 - Minimizing Distractions
 - Managing Screen Time
11. Cultivating a Reading Routine Motor Mack E7 Manual
 - Setting Reading Goals Motor Mack E7 Manual
 - Carving Out Dedicated Reading Time
12. Sourcing Reliable Information of Motor Mack E7 Manual
 - Fact-Checking eBook Content of Motor Mack E7 Manual
 - Distinguishing Credible Sources
13. Promoting Lifelong Learning

- Utilizing eBooks for Skill Development
 - Exploring Educational eBooks
14. Embracing eBook Trends
- Integration of Multimedia Elements
 - Interactive and Gamified eBooks

Motor Mack E7 Manual Introduction

In today's digital age, the availability of Motor Mack E7 Manual books and manuals for download has revolutionized the way we access information. Gone are the days of physically flipping through pages and carrying heavy textbooks or manuals. With just a few clicks, we can now access a wealth of knowledge from the comfort of our own homes or on the go. This article will explore the advantages of Motor Mack E7 Manual books and manuals for download, along with some popular platforms that offer these resources. One of the significant advantages of Motor Mack E7 Manual books and manuals for download is the cost-saving aspect. Traditional books and manuals can be costly, especially if you need to purchase several of them for educational or professional purposes. By accessing Motor Mack E7 Manual versions, you eliminate the need to spend money on physical copies. This not only saves you money but also reduces the environmental impact associated with book production and transportation. Furthermore, Motor Mack E7 Manual books and manuals for download are incredibly convenient. With just a computer or smartphone and an internet connection, you can access a vast library of resources on any subject imaginable. Whether you're a student looking for textbooks, a professional seeking industry-specific manuals, or someone interested in self-improvement, these digital resources provide an efficient and accessible means of acquiring knowledge. Moreover, PDF books and manuals offer a range of benefits compared to other digital formats. PDF files are designed to retain their formatting regardless of the device used to open them. This ensures that the content appears exactly as intended by the author, with no loss of formatting or missing graphics. Additionally, PDF files can be easily annotated, bookmarked, and searched for specific terms, making them highly practical for studying or referencing. When it comes to accessing Motor Mack E7 Manual books and manuals, several platforms offer an extensive collection of resources. One such platform is Project Gutenberg, a nonprofit organization that provides over 60,000 free eBooks. These books are primarily in the public domain, meaning they can be freely distributed and downloaded. Project Gutenberg offers a wide range of classic literature, making it an excellent resource for literature enthusiasts. Another popular platform for Motor Mack E7 Manual books and manuals is Open Library. Open Library is an initiative of the Internet Archive, a non-profit organization dedicated to digitizing cultural artifacts and making them accessible to the public. Open Library hosts millions of books, including both public domain works and contemporary titles. It also allows users to borrow digital copies of certain books for a limited

period, similar to a library lending system. Additionally, many universities and educational institutions have their own digital libraries that provide free access to PDF books and manuals. These libraries often offer academic texts, research papers, and technical manuals, making them invaluable resources for students and researchers. Some notable examples include MIT OpenCourseWare, which offers free access to course materials from the Massachusetts Institute of Technology, and the Digital Public Library of America, which provides a vast collection of digitized books and historical documents. In conclusion, Motor Mack E7 Manual books and manuals for download have transformed the way we access information. They provide a cost-effective and convenient means of acquiring knowledge, offering the ability to access a vast library of resources at our fingertips. With platforms like Project Gutenberg, Open Library, and various digital libraries offered by educational institutions, we have access to an ever-expanding collection of books and manuals. Whether for educational, professional, or personal purposes, these digital resources serve as valuable tools for continuous learning and self-improvement. So why not take advantage of the vast world of Motor Mack E7 Manual books and manuals for download and embark on your journey of knowledge?

FAQs About Motor Mack E7 Manual Books

How do I know which eBook platform is the best for me? Finding the best eBook platform depends on your reading preferences and device compatibility. Research different platforms, read user reviews, and explore their features before making a choice. Are free eBooks of good quality? Yes, many reputable platforms offer high-quality free eBooks, including classics and public domain works. However, make sure to verify the source to ensure the eBook credibility. Can I read eBooks without an eReader? Absolutely! Most eBook platforms offer web-based readers or mobile apps that allow you to read eBooks on your computer, tablet, or smartphone. How do I avoid digital eye strain while reading eBooks? To prevent digital eye strain, take regular breaks, adjust the font size and background color, and ensure proper lighting while reading eBooks. What the advantage of interactive eBooks? Interactive eBooks incorporate multimedia elements, quizzes, and activities, enhancing the reader engagement and providing a more immersive learning experience. Motor Mack E7 Manual is one of the best book in our library for free trial. We provide copy of Motor Mack E7 Manual in digital format, so the resources that you find are reliable. There are also many Ebooks of related with Motor Mack E7 Manual. Where to download Motor Mack E7 Manual online for free? Are you looking for Motor Mack E7 Manual PDF? This is definitely going to save you time and cash in something you should think about.

Find Motor Mack E7 Manual :

holt geometry inscribed angle

holt geometry 9 1 through 9 4 quiz

holt geometry cumulative test chapters 9 answers

holt mcdougal algebra 2 practice workbook answers

holt mcdougal virtual investigation transport across cell membranes

holt geometry answer key 7 ratio and proportions

holt geometry test review handout

holt environmental science 10 2 answer key

holt geometry chapter 8 answers

holt mcdougal literature grade 11 answer key

holt environmental science aquatic ecosystems skills answers

holt geometry volume of pyramids and cones 11 3

holt mcdougal algebra 2 notetaking guide answers

holt physical science quiz section acceleration

holt lifetime health ch 9 worksheet answer key

Motor Mack E7 Manual :

il lupo che voleva fare il giro del mondo in musica amico lupo - Apr 04 2022

web scopri il lupo che voleva fare il giro del mondo in musica amico lupo ediz a colori di lallemand orianne thuillier Éléonore capparotto daniela spedizione gratuita per i

il giro del mondo in 50 mappe shirley willis libreria ibs - Nov 30 2021

web mettiti in viaggio per il mondo un eccitante avventura dalle rovine azteche in messico al tempio d oro in india con le sue cartine illustrazioni e fotografie il giro del mondo in

il lupo che voleva fare il giro del mondo amico lupo ediz a colori - Jun 06 2022

web il lupo che voleva fare il giro del mondo amico lupo ediz a colori lallemand orianne thuillier Éléonore capparotto daniela amazon it giochi e giocattoli

il giro del mondo in 80 piante ediz a colori libreria ibs - Mar 15 2023

web jonathan drori ci introduce nello straordinario universo delle piante in questo viaggio che copre 6 continenti e 55 paesi

vengono raccontate le storie incredibili del legame che si è

il giro del mondo in 50 mappe ediz a colori libreria ibs - Sep 21 2023

web il giro del mondo in 50 mappe ediz a colori è un libro di shirley willis pubblicato da leg edizioni nella collana giovani acquista su ibs a 16 00

il giro del mondo in 80 giorni ediz a colori libreria universitaria - Oct 10 2022

web descrizione del libro segui l eccentrico phileas fogg che rischia tutto il suo patrimonio in una corsa contro il tempo assieme al suo domestico passepartout intraprende un

il giro del mondo in 80 giorni film 2021 mymovies it - Aug 08 2022

web jun 18 2021 il giro del mondo in 80 giorni le tour du monde en 80 jours un film di samuel tourneux una spruzzata di colori brillanti e una divertente galleria di animali

mappe di tutto il mondo il mio primo atlante con 50 alette ediz a - Jan 01 2022

web un atlante illustrato per esplorare le meraviglie del nostro pianeta continente dopo continente i paesaggi più mozzafiato gli animali i monumenti i diversi popoli e le loro

atlante del mondo esplora il mondo in sette mappe pieghevoli - Jul 07 2022

web acquista atlante del mondo esplora il mondo in sette mappe pieghevoli ediz a colori su libreria universitaria spedizione gratuita sopra i 25 euro su libreria universitaria

il giro del mondo in 50 anni guerre e incontri di un inviato - Jan 13 2023

web il giro del mondo in 50 anni guerre e incontri di un inviato speciale è un libro di gino nebiolo pubblicato da cairo publishing nella collana storie acquista su ibs a 15 20

il giro del mondo in 50 mappe ediz a colori libreria universitaria - Jun 18 2023

web acquista il bestseller il giro del mondo in 50 mappe ediz a colori spedizione gratuita sopra i 25 euro su libreria universitaria

il giro del mondo in 80 uccelli ediz a colori mike unwin - Mar 03 2022

web acquista online il libro il giro del mondo in 80 uccelli ediz a colori di mike unwin in offerta a prezzi imbattibili su mondadori store

il giro del mondo in 80 uccelli ediz a colori amazon it - May 17 2023

web ediz a colori unwin mike miyake ryuto amazon it libri il giro del mondo in 80 uccelli ediz a colori copertina rigida illustrato 8 settembre 2022 questo articolo è

il giro del mondo in 80 giorni film 2021 comingsoon it - May 05 2022

web sep 16 2021 anno 2021 paese francia belgio durata 82 min data di uscita 16 settembre 2021 distribuzione notorious

pictures il giro del mondo in 80 giorni è un

il giro del mondo in 80 giorni ediz a colori libreriadelsanto it - Nov 11 2022

web 3 00 5 2 85 aggiungi al carrello richiedi un preventivo per numerosi pezzi descrizione un libro illustrato per bambini dai 3 anni una fiaba classica della letteratura

il giro del mondo in 50 mappe ediz a colori relié amazon fr - Jul 19 2023

web il giro del mondo in 50 mappe ediz a colori willis shirley salariya david hewetson nick amazon fr livres

atlante del mondo esplora il mondo in sette mappe pieghevoli - Feb 02 2022

web acquista online il libro atlante del mondo esplora il mondo in sette mappe pieghevoli ediz a colori di in offerta a prezzi imbattibili su mondadori store

il giro del mondo in 80 giorni ediz a colori libreria universitaria - Dec 12 2022

web acquista il giro del mondo in 80 giorni ediz a colori su libreria universitaria spedizione gratuita sopra i 25 euro su libreria universitaria

il giro del mondo in 50 mappe ediz a colori willis shirley ebay - Apr 16 2023

web mar 7 2023 find many great new used options and get the best deals for il giro del mondo in 50 mappe ediz a colori willis shirley at the best online prices at ebay

il giro del mondo in 50 mappe ediz a colori shirley willis - Aug 20 2023

web acquista online il libro il giro del mondo in 50 mappe ediz a colori di shirley willis in offerta a prezzi imbattibili su mondadori store

il giro del mondo in 80 alberi ediz a colori libreria ibs - Feb 14 2023

web il giro del mondo in 80 alberi ediz a colori è un libro di jonathan drori pubblicato da l ippocampo acquista su ibs a 18 90

mappe della città il giro del mondo in 20 metropoli ediz a colori - Sep 09 2022

web compra mappe della città il giro del mondo in 20 metropoli ediz a colori spedizione gratuita su ordini idonei

die abmahnung mit arbeitshilfen online wirksam und - Mar 09 2023

web jul 22 2023 fehler die eine abmahnung die abmahnung mit arbeitshilfen online wirksam und die abmahnung mit arbeitshilfen online von klaus die abmahnung inkl

die abmahnung mit arbeitshilfen online wirksam und - Dec 26 2021

web die abmahnung mit arbeitshilfen online wirksam und rechtssicher umsetzen haufe fachbuch beckerle klaus isbn 9783648031551 kostenloser versand für alle

was kann ich gegen eine abmahnung tun experto de - Mar 29 2022

web ein arbeitnehmer kann gar nichts tun etwa wenn die abmahnung einfach sowohl formell als auch inhaltlich richtig ist

eine gendarstellung verfassen die vom arbeitgeber zur
[die abmahnung mit arbeitshilfen online wirksam und](#) - May 11 2023

web jun 15 2023 die abmahnung mit arbeitshilfen online wirksam und rechtssicher umsetzen haufe fachbuch by klaus beckerle die abmahnung mit arbeitshilfen

die abmahnung mit arbeitshilfen online wirksam un pdf - Nov 05 2022

web die abmahnung mit arbeitshilfen online wirksam un 3 3 uses crystal clear instructions and friendly prose to introduce you to all of today s html and xhtml essentials you ll

die abmahnung mit arbeitshilfen online wirksam un uniport edu - Nov 24 2021

web may 10 2023 die autoren unterstützen sie dabei die ursachen für minderleistung zu erkennen und analysieren lernen sie die passenden führungsinstrumente

die abmahnung mit arbeitshilfen online wirksam un copy - Jan 07 2023

web jun 14 2023 die abmahnung mit arbeitshilfen online wirksam un 2 10 downloaded from uniport edu ng on june 14 2023 by guest answer area updates and more

die abmahnung mit arbeitshilfen online wirksam un uniport edu - Dec 06 2022

web die abmahnung mit arbeitshilfen online wirksam un 2 11 downloaded from uniport edu ng on july 22 2023 by guest equipment david sit and patrick

abmahnung internet und arbeitsrecht 2023 - Apr 29 2022

web sep 5 2023 die abmahnung muss sich auf einen speziellen vorfall beziehen nicht immer erfüllen abmahnungen alle drei kriterien so begehen abmahner und auch

[die abmahnung mit arbeitshilfen online wirksam un pdf](#) - Sep 03 2022

web arbeitshilfen online abmahnungsmuster workflow für die prozesssteuerung in 9 schritten zur fertigen abmahnung checkliste abmahnung urteile im volltext arbeit

abmahnung erhalten was sie tun wie sie reagieren sollten - Feb 25 2022

web aug 20 2023 bei einer abmahnung im arbeitsrecht sollten sie zunächst immer sachlich bleiben und prüfen ob diese gerechtfertigt ist das gespräch mit dem arbeitgeber ist

arbeitsrecht abmahnung eines arbeitnehmers individuelle - Jan 27 2022

web mit einer abmahnung rügt der arbeitgeber einen vertragsverstoß des arbeitnehmers und fordert ihn auf sich in zukunft vertragsgerecht zu verhalten zusätzlich enthält eine

[die abmahnung inkl arbeitshilfen online wirksam und korrekt](#) - Jul 13 2023

web die abmahnung inkl arbeitshilfen online wirksam und korrekt umsetzen über 50 konkrete fälle haufe fachbuch ebook

beckerle klaus amazon de bücher

download solutions die abmahnung mit arbeitshilfen online - Feb 08 2023

web die abmahnung mit arbeitshilfen online wirksam un personalentwicklung als führungsaufgabe inkl arbeitshilfen online oct 27 2021 erhöhtes

□ **abmahnung arbeitsrecht was tun 10 tipps gründe** - May 31 2022

web jul 19 2023 □ 10 tipps zur abmahnung für arbeitnehmer reaktion auf die abmahnung durch den arbeitnehmer wurde man als arbeitnehmer abgemahnt so ist man dieser

die abmahnung inkl arbeitshilfen online wirksam und korrekt - Aug 14 2023

web die abmahnung inkl arbeitshilfen online wirksam und korrekt umsetzen über 50 konkrete fälle haufe fachbuch beckerle klaus isbn 9783648065419 kostenloser versand für alle bücher mit versand und verkauf duch amazon

download solutions die abmahnung mit arbeitshilfen online - Jul 01 2022

web die abmahnung mit arbeitshilfen online wirksam un mein arbeitszeugnis entschlüsseln und entwerfen inkl arbeitshilfen online dec 17 2020 der autor zeigt anschaulich

die abmahnung mit arbeitshilfen online wirksam un copy - Oct 04 2022

web we meet the expense of die abmahnung mit arbeitshilfen online wirksam un and numerous ebook collections from fictions to scientific research in any way

die abmahnung mit arbeitshilfen online wirksam und - Jun 12 2023

web jun 14 2023 mit arbeitshilfen online leitfaden für eigentümer und verwalter buch isbn haustechnik für verwalter vermietet und makler inkl arbeitshilfen online technik kosten

die abmahnung mit arbeitshilfen online wirksam un - Aug 02 2022

web mar 8 2023 this die abmahnung mit arbeitshilfen online wirksam un as one of the most in action sellers here will agreed be in the midst of the best options to review

die abmahnung mit arbeitshilfen online wirksam un 2022 - Apr 10 2023

web arbeitsrecht mit arbeitshilfen online investing in german real estate erwerbung und buchhandel die abmahnung mit arbeitshilfen online die kündigung inkl

die abmahnung mit arbeitshilfen online wirksam un uniport edu - Oct 24 2021

web die abmahnung mit arbeitshilfen online wirksam un 1 12 downloaded from uniport edu ng on august 29 2023 by guest die abmahnung mit arbeitshilfen online

darcy der glückskater im buchladen die katzenserie 1 ebook - Aug 08 2023

web darcy der glückskater im buchladen die katzenserie 1 ebook schulz gesine amazon de kindle store

[darcy der glückskater im buchladen ungekürzt die](#) - Jul 07 2023

web darcy der glückskater im buchladen ungekürzt die katzenserie audiobook written by gesine schulz narrated by lena donnermann get instant access to all your favorite

[amazon de kundenrezensionen darcy der glückskater im](#) - Feb 02 2023

web finde hilfreiche kundenrezensionen und rezensionsbewertungen für darcy der glückskater im buchladen die katzenserie 1 auf amazon de lese ehrliche und

darcy der glückskater im buchladen von gesine schulz ebook - Jun 06 2023

web man will sofort in tamsins buchladen stöbern und im fish und chips laden des kleinen dorfes speisen und wer wie ich nicht weiß wie katzen ticken kann von kater darcy

[darcy der glückskater im buchladen google books](#) - Aug 28 2022

web nach herben niederlagen im job und in der liebe wünscht sich tamsin einen neuanfang sie beschließt den kleinen buchladen in den malerischen cotswolds zu übernehmen

darcy der glückskater im buchladen e book epub ganter - Jul 27 2022

web p nach herben niederlagen im job und in der liebe wünscht sich tamsin einen neuanfang sie beschließt den kleinen buchladen in den malerischen cotswolds zu

darcy der glückskater im buchladen von gesine schulz - May 05 2023

web die katzenserie band 1 darcy der glückskater im buchladen gesine schulz ebook

[darcy der glückskater im buchladen die katzenserie 1 by](#) - Mar 23 2022

web jun 10 2023 darcy der gluckskater im buchladen die katzenserie 1 darcy der gluckskater in nachbars garten die katzenserie 2 darcy der gluckskater und der

darcy der glückskater im buchladen overdrive - Apr 04 2023

web jan 3 2017 nach herben niederlagen im job und in der liebe wünscht sich tamsin einen neuanfang sie beschließt den kleinen buchladen in den malerischen cotswolds zu

[darcy der glückskater im buchladen die katzenserie bd 1](#) - Jan 01 2023

web jetzt als ebook herunterladen mit ihrem tablet oder ebook reader lesen darcy der glückskater im buchladen die katzenserie bd 1 von gesine schulz versandkostenfrei

darcy der glückskater im buchladen die katzenserie 1 - Sep 09 2023

web jan 3 2017 darcy der glückskater im buchladen die katzenserie 1 german edition kindle edition by schulz gesine download it once and read it on your kindle device

darcy der glückskater im buchladen ungekürzt overdrive - Feb 19 2022

web oct 19 2017 nach herben niederlagen im job und in der liebe wünscht sich tamsin einen neuanfang sie beschließt den kleinen buchladen in den malerischen cotswolds

darcy der glückskater im buchladen ungekürzt lünebuch de - Apr 23 2022

web oct 19 2017 nach herben niederlagen im job und in der liebe wünscht sich tamsin einen neuanfang sie beschließt den kleinen buchladen in den malerischen cotswolds

darcy der glückskater im buchladen darcy amazon de - Oct 30 2022

web darcy der glückskater im buchladen darcy der glückskater 1 hörbuch download gesine schulz lena donnermann saga egmont amazon de audible hörbücher

darcy der glückskater im buchladen die katzenserie 1 - Mar 03 2023

web darcy der glückskater im buchladen die katzenserie 1 german edition ebook schulz gesine amazon com au kindle store

darcy der glückskater im buchladen die katzenserie bd 1 - Nov 30 2022

web jetzt als ebook herunterladen mit ihrem tablet oder ebook reader lesen darcy der glückskater im buchladen die katzenserie bd 1 von gesine schulz buch dabei

darcy der glückskater im buchladen die katzenserie 1 - Oct 10 2023

web hörbuch 0 00 gratis im audible probemonat nach herben niederlagen im job und in der liebe wünscht sich tamsin einen neuanfang sie beschließt den kleinen

german darcy der glückskater im buchladen ungekürzt - May 25 2022

web oct 19 2017 listen free to darcy der glückskater im buchladen ungekürzt audiobook by gesine schulz with a 30 day free trial stream and download audiobooks

darcy der glückskater im buchladen die katzenserie 1 - Sep 28 2022

web achetez et téléchargez ebook darcy der glückskater im buchladen die katzenserie 1 german edition boutique kindle littérature amazon fr

darcy der glückskater im buchladen die katzenserie 1 - Jun 25 2022

web lee ahora en digital con la aplicación gratuita kindle entrega en madrid 28008 inicia sesión para actualizar tu ubicación